



US00D493600S1

(12) **United States Design Patent**  
**Ducolon**

(10) **Patent No.:** **US D493,600 S**

(45) **Date of Patent:** **\*\* Jul. 27, 2004**

(54) **MAILBOX NUMBER PLATE MOUNT**

(76) **Inventor:** **Bruce E. Ducolon**, 6606 Oakland Rd.,  
Loveland, OH (US) 45140

(\*\*) **Term:** **14 Years**

(21) **Appl. No.:** **29/186,703**

(22) **Filed:** **Jul. 22, 2003**

(51) **LOC (7) Cl.** ..... **99-00**

(52) **U.S. Cl.** ..... **D99/43; D99/29**

(58) **Field of Search** ..... D99/29, 32, 43;  
D20/17, 19, 42; 232/27, 39, 46; 40/606.05,  
606.13, 607.13, 620, 617, 618, 661

(56) **References Cited**

**U.S. PATENT DOCUMENTS**

D103,045 S	*	2/1937	Ellis	.....	D20/42
D117,036 S	*	10/1939	Elliot	.....	D20/17
2,452,667 A		11/1948	Lambert		
2,607,141 A	*	8/1952	Petersen	.....	40/606.13
2,615,267 A		10/1952	Brower		
D188,749 S	*	9/1960	McAver	.....	D99/32
2,976,633 A		3/1961	Squire		
3,079,714 A	*	3/1963	Verda et al.	.....	40/618
3,596,387 A	*	8/1971	Hoeve et al.	.....	40/661
4,213,560 A	*	7/1980	Hall	.....	232/39
D445,991 S		7/2001	Goldstein		

\* cited by examiner

*Primary Examiner*—Paula A. Greene

(74) *Attorney, Agent, or Firm*—Charles R. Wilson

(57) **CLAIM**

The ornamental design for a mailbox number plate mount,  
as shown and described.

**DESCRIPTION**

FIG. 1 is a perspective view of a mailbox number plate  
mount.

FIG. 2 is an elevational side view thereof.

FIG. 3 is an elevational front view thereof.

FIG. 4 is an elevational back view thereof.

FIG. 5 is a top plan view thereof.

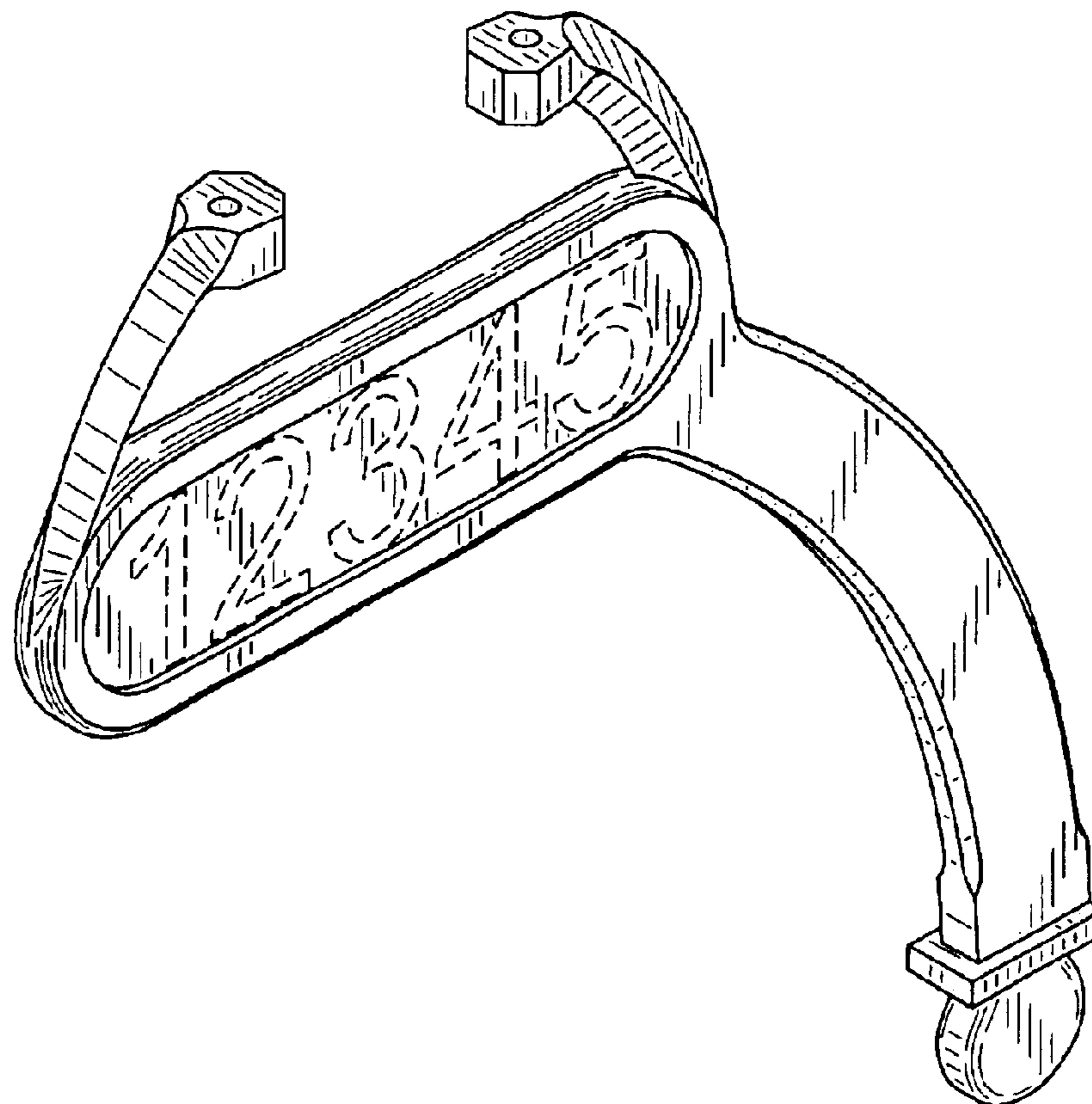
FIG. 6 is a bottom plan view thereof; and,

FIG. 7 is an elevational side view of the mailbox number  
plate mount of FIG. 1 secured to a mailbox and to a mailbox  
post to show the environment in which the mailbox number  
plate mount is associated.

The broken line showing of a mailbox and a mailbox post is  
for illustrative purposes only and forms no part of the  
claimed design.

The broken lines are for illustrative purposes only and forms  
no part of the claimed design

**1 Claim, 5 Drawing Sheets**



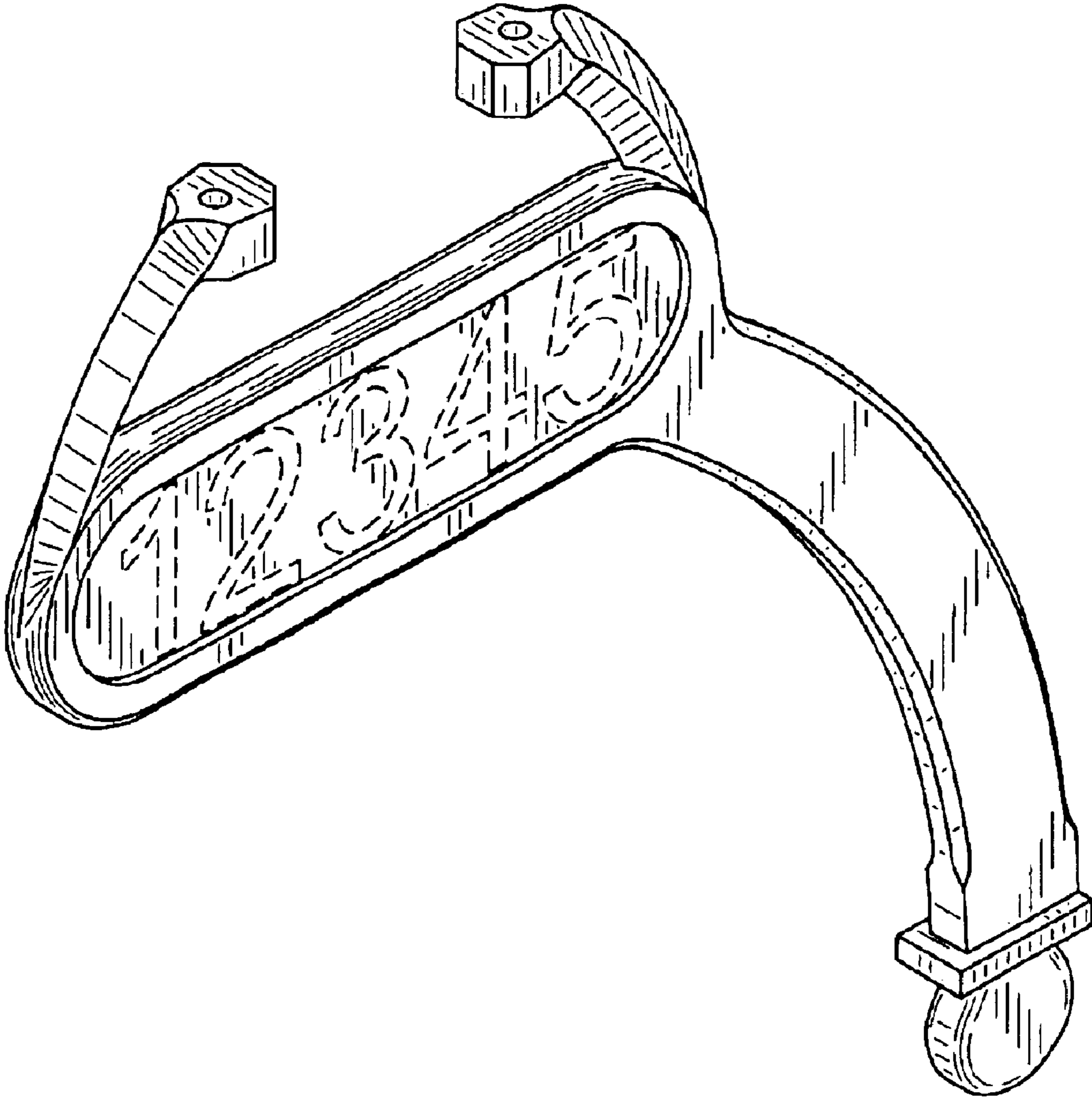


FIG. 1

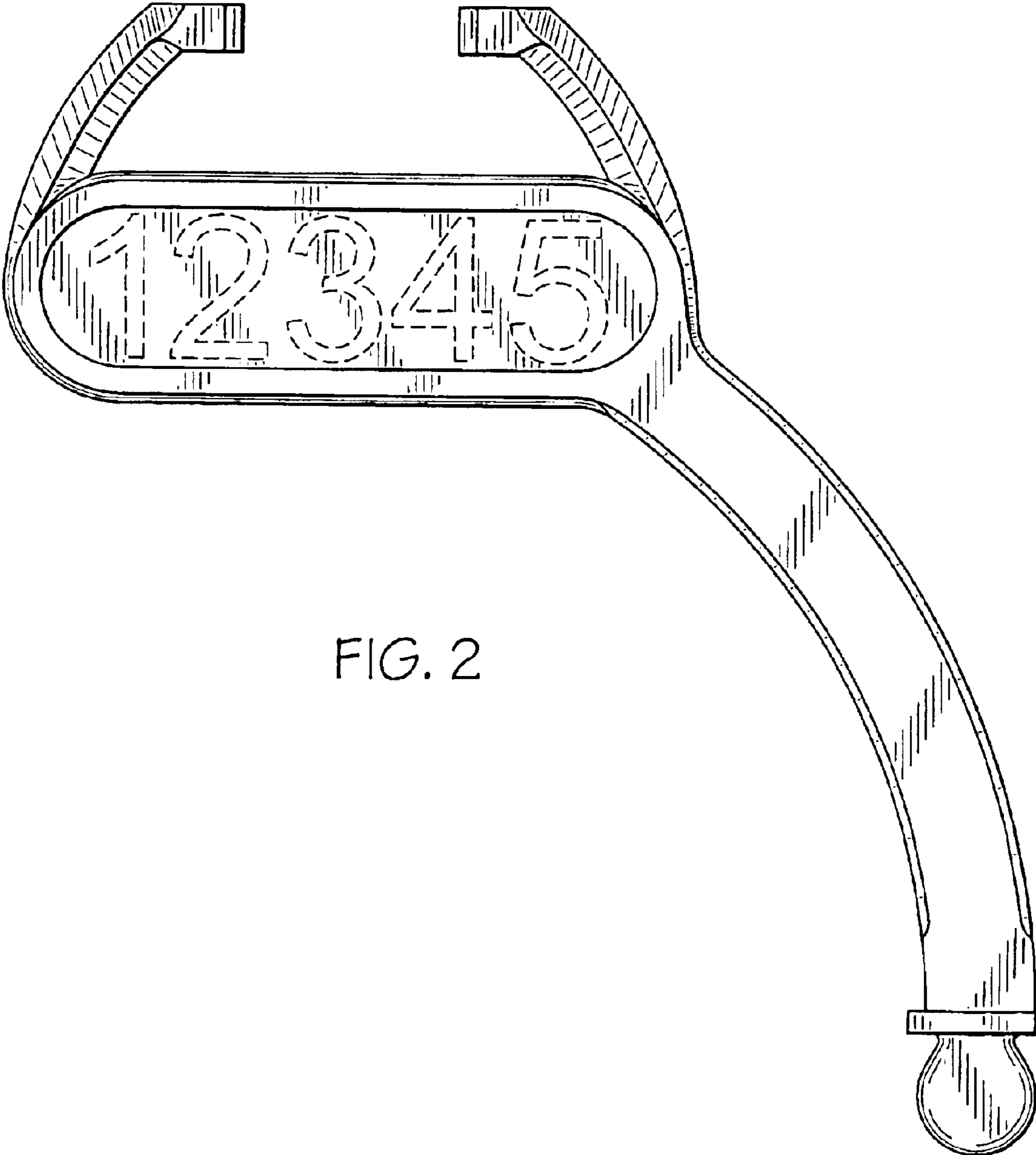


FIG. 2

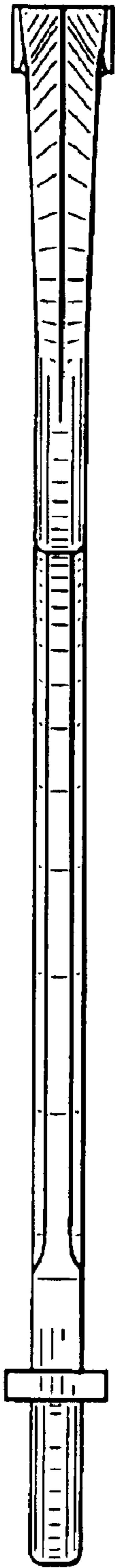


FIG. 3

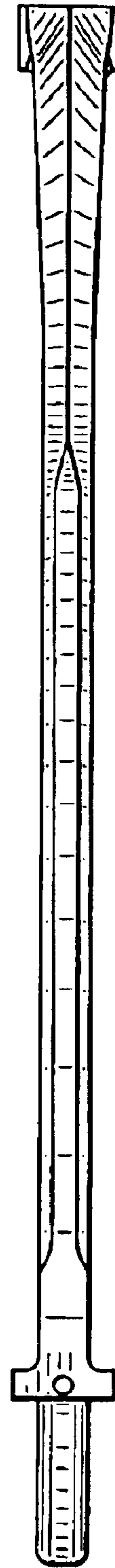


FIG. 4



FIG. 5



FIG. 6

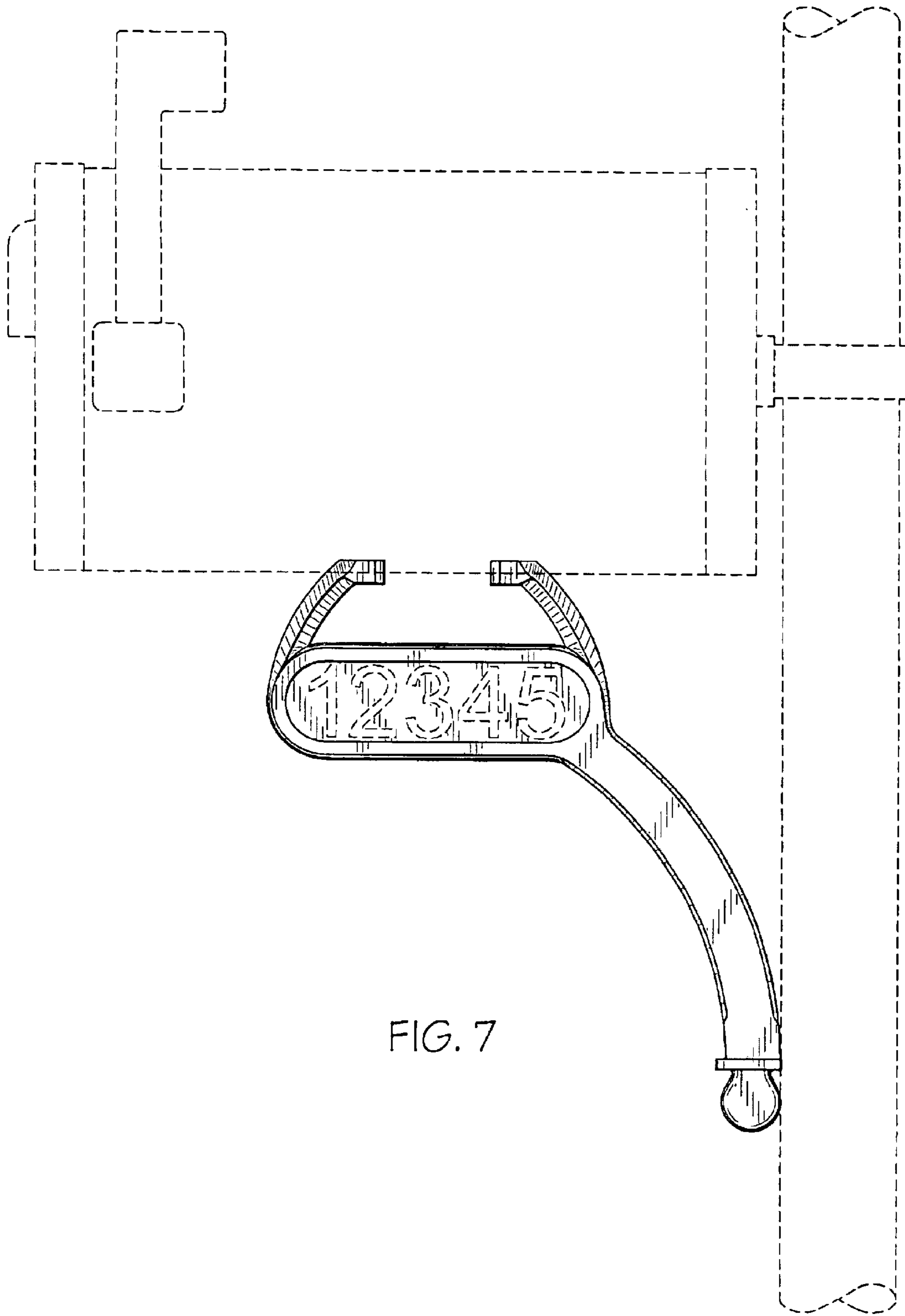


FIG. 7