

US00D493598S1

(12) **United States Design Patent**  
**Duncan et al.**

(10) **Patent No.:** **US D493,598 S**  
(45) **Date of Patent:** **\*\* Jul. 27, 2004**

(54) **MAGNETIC MAILBOX DEVICE**  
(75) **Inventors:** **W. Marcus Duncan**, Fishers, IN (US);  
**Eric L. Toussant**, North Salem, IN  
(US); **Jeanne Carmody**, Indianapolis,  
IN (US)

(73) **Assignee:** **J. Carmody Incorporated**,  
Indianapolis, IN (US)

(\*\*) **Term:** **14 Years**

(21) **Appl. No.:** **29/167,324**

(22) **Filed:** **Sep. 12, 2002**

(51) **LOC (7) Cl.** ..... **99-00**

(52) **U.S. Cl.** ..... **D99/30**

(58) **Field of Search** ..... D99/29, 30, 31,  
D99/32; 232/14, 17, 24, 29; D5/63, 41,  
47; D11/180; D20/10-11

(56) **References Cited**

**U.S. PATENT DOCUMENTS**

4,375,869	A	3/1983	Hatch	
4,712,731	A	12/1987	Gramelspacher	
D296,159	S	* 6/1988	Le Brocquy	..... D5/41
4,813,595	A	3/1989	Johns, Jr.	
4,991,769	A	2/1991	Todd	
5,000,379	A	3/1991	LaRue	
5,035,356	A	7/1991	Granger	
5,106,016	A	4/1992	Beckmann	
5,178,321	A	1/1993	Majewski	
D402,783	S	12/1998	Lamolinara	

D410,148	S	*	5/1999	Gotchy	.....	D5/63
6,234,387	B1		5/2001	Cuthbert		
D454,243	S		3/2002	Pawlowski		
D462,155	S	*	9/2002	Gugle	.....	D2/842
D478,838	S	*	8/2003	Nam	.....	D11/180

\* cited by examiner

*Primary Examiner*—Paula A. Mortimer

(74) *Attorney, Agent, or Firm*—Maginot, Moore & Beck

(57) **CLAIM**

The ornamental design for a magnetic mailbox device, as shown and described.

**DESCRIPTION**

FIG. 1 is a side perspective view showing the device on a mailbox in broken lines;

FIG. 2 is an elevational view of the front side of the embodiment shown in FIG. 1;

FIG. 3 is an elevational view of the back side of the embodiment shown in FIG. 1;

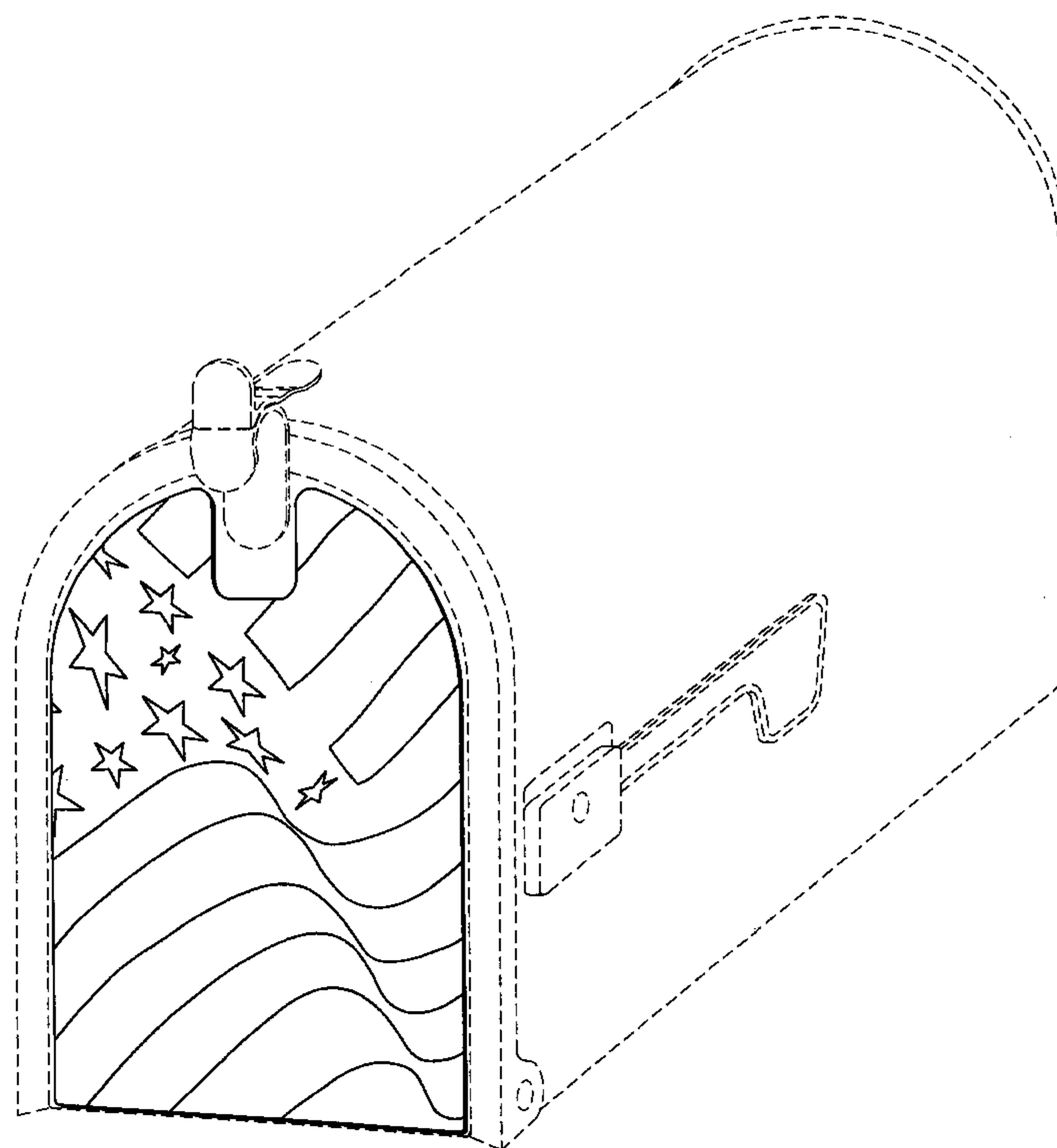
FIG. 4 is a side elevational view of the embodiment shown in FIG. 1; the other side being identical;

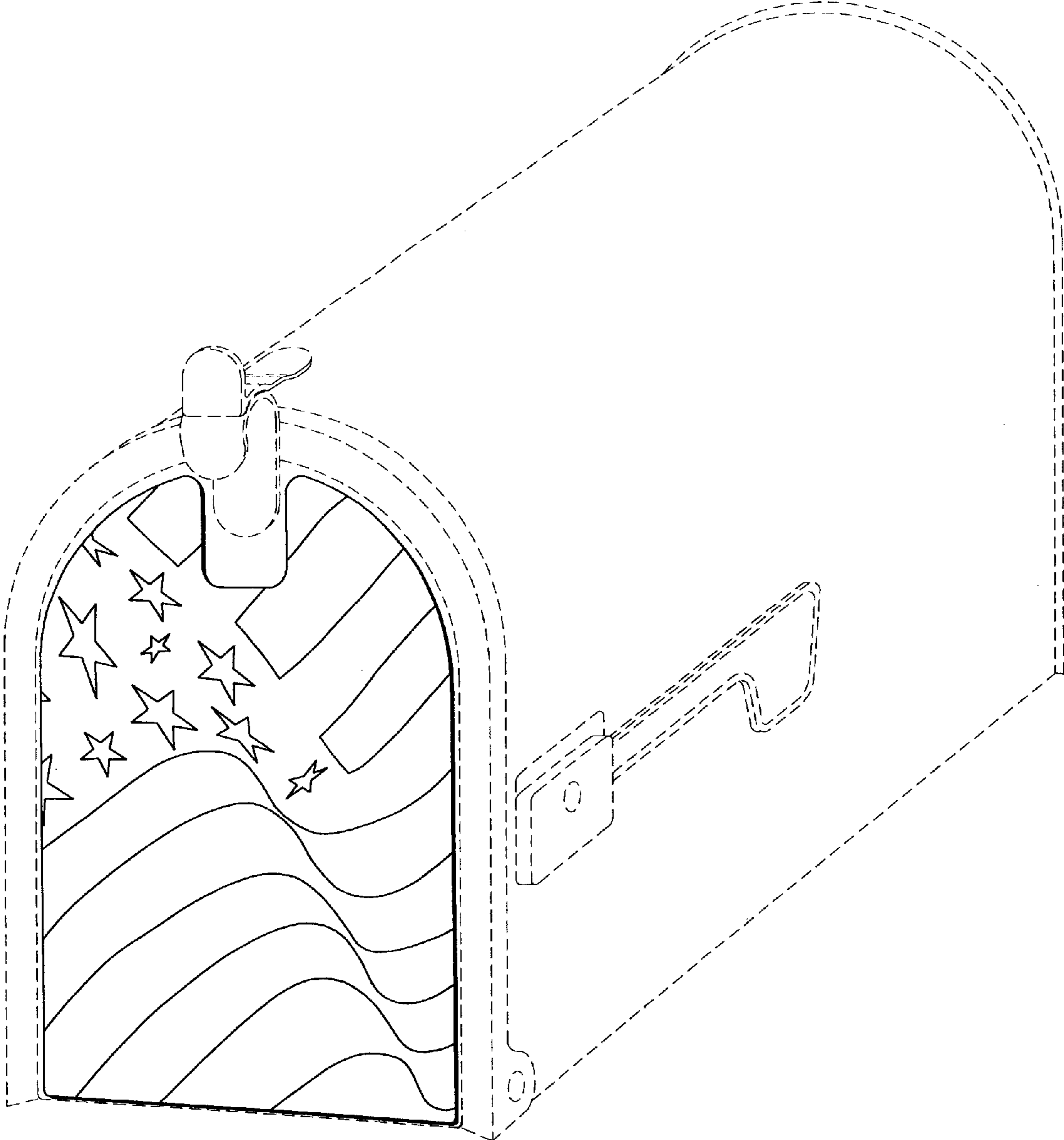
FIG. 5 is a top elevational view of the embodiment shown in FIG. 1; and,

FIG. 6 is a bottom elevational view of the embodiment shown in FIG. 1.

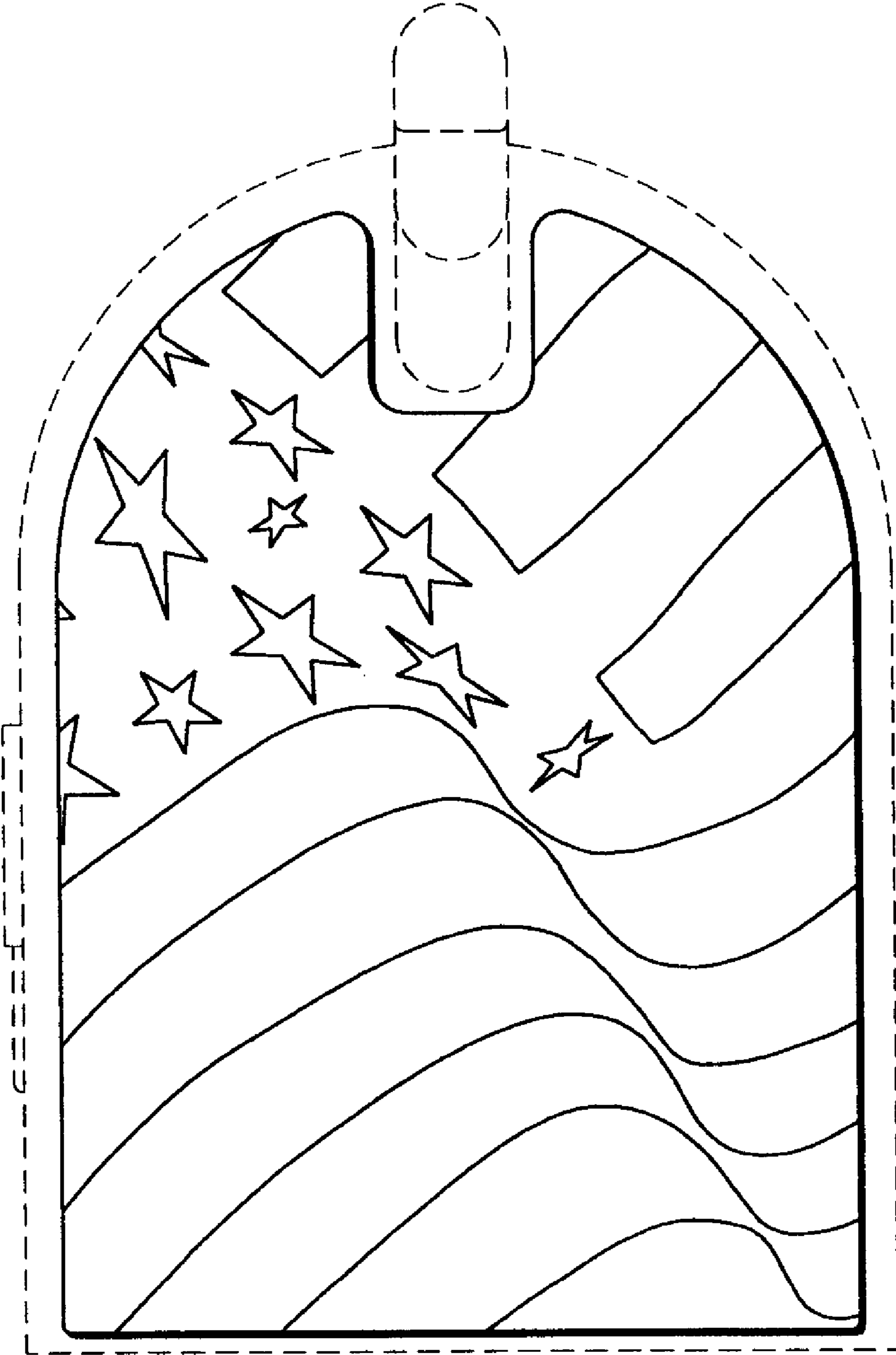
The purpose of the broken lines in the drawing are environmental structure that form no part of the design to be patented.

**1 Claim, 3 Drawing Sheets**

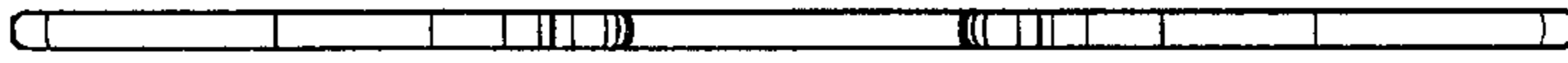




**Fig. 1**



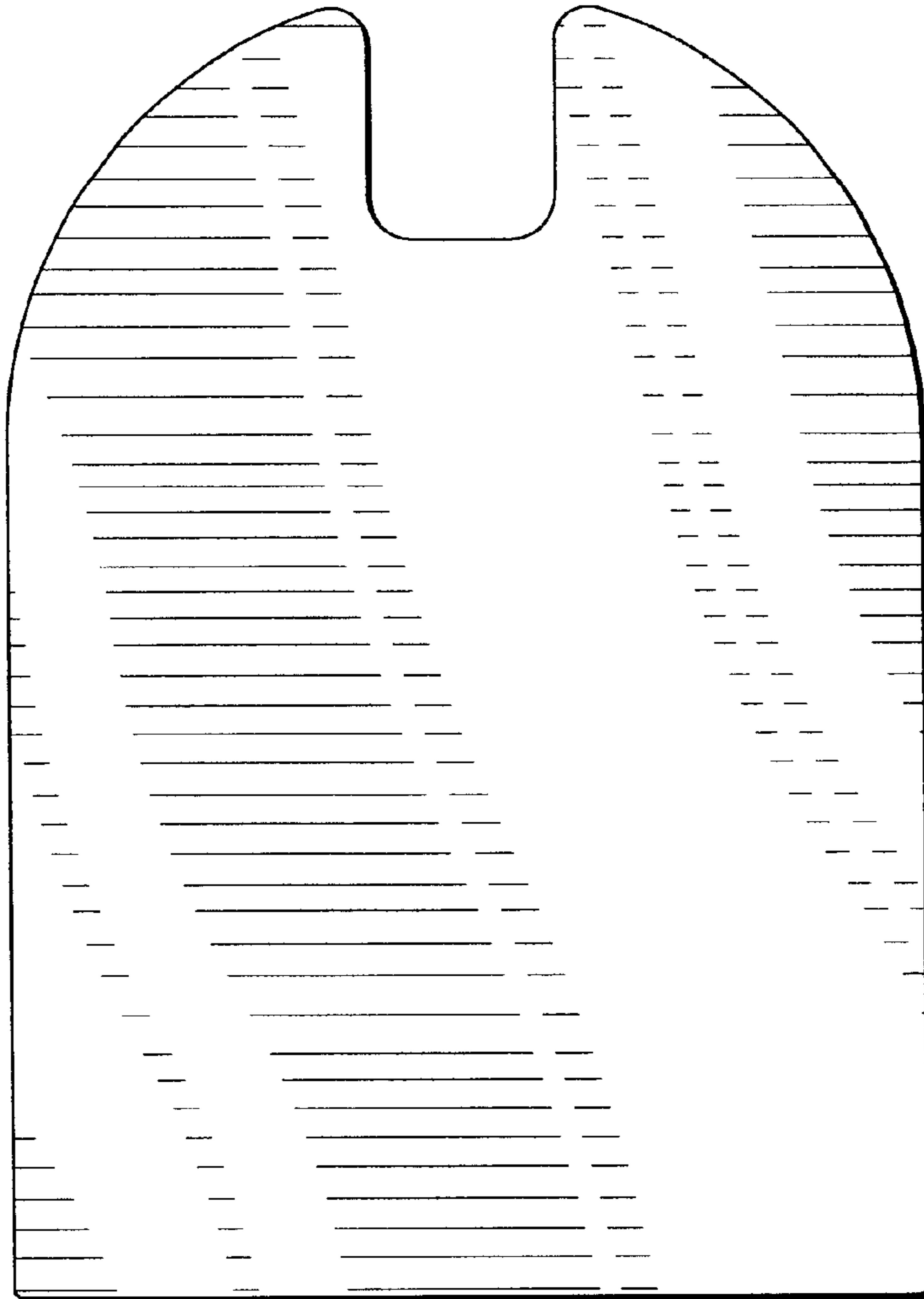
**Fig. 2**



**Fig. 5**



**Fig. 4**



**Fig. 3**



**Fig. 6**