

US00D493593S1

(12) **United States Design Patent**
Anderson

(10) **Patent No.:** **US D493,593 S**
(45) **Date of Patent:** **** Jul. 27, 2004**

(54) **HYDRAULIC FLUID CLEANING CART**

(74) *Attorney, Agent, or Firm*—D L Tschida

(76) **Inventor:** **Steven D. Anderson**, 3020 Centerville Rd., St. Paul, MN (US) 55117

(57) **CLAIM**

The ornamental design for a hydraulic fluid cleaning cart, as shown and described.

(**) **Term:** **14 Years**

DESCRIPTION

(21) **Appl. No.:** **29/180,219**

FIG. 1 is a perspective drawing showing front, right side and top views of my new design for a hydraulic fluid-cleaning cart.

(22) **Filed:** **Apr. 21, 2003**

FIG. 2 is a perspective drawing showing front, left side and top views of my new design for a hydraulic fluid cleaning cart.

(51) **LOC (7) Cl.** **12-02**

(52) **U.S. Cl.** **D34/14; D34/19**

(58) **Field of Search** **D34/12-27; 210/237; 280/79.11, 79.2, 79.3**

FIG. 3 is a perspective drawing showing rear, left side and top views of my new design for a hydraulic fluid-cleaning cart.

(56) **References Cited**

U.S. PATENT DOCUMENTS

- D409,810 S * 5/1999 Ambrose D34/20
- 6,207,051 B1 * 3/2001 Anderson et al. 210/237
- D443,965 S * 6/2001 Gaalswyk D34/14

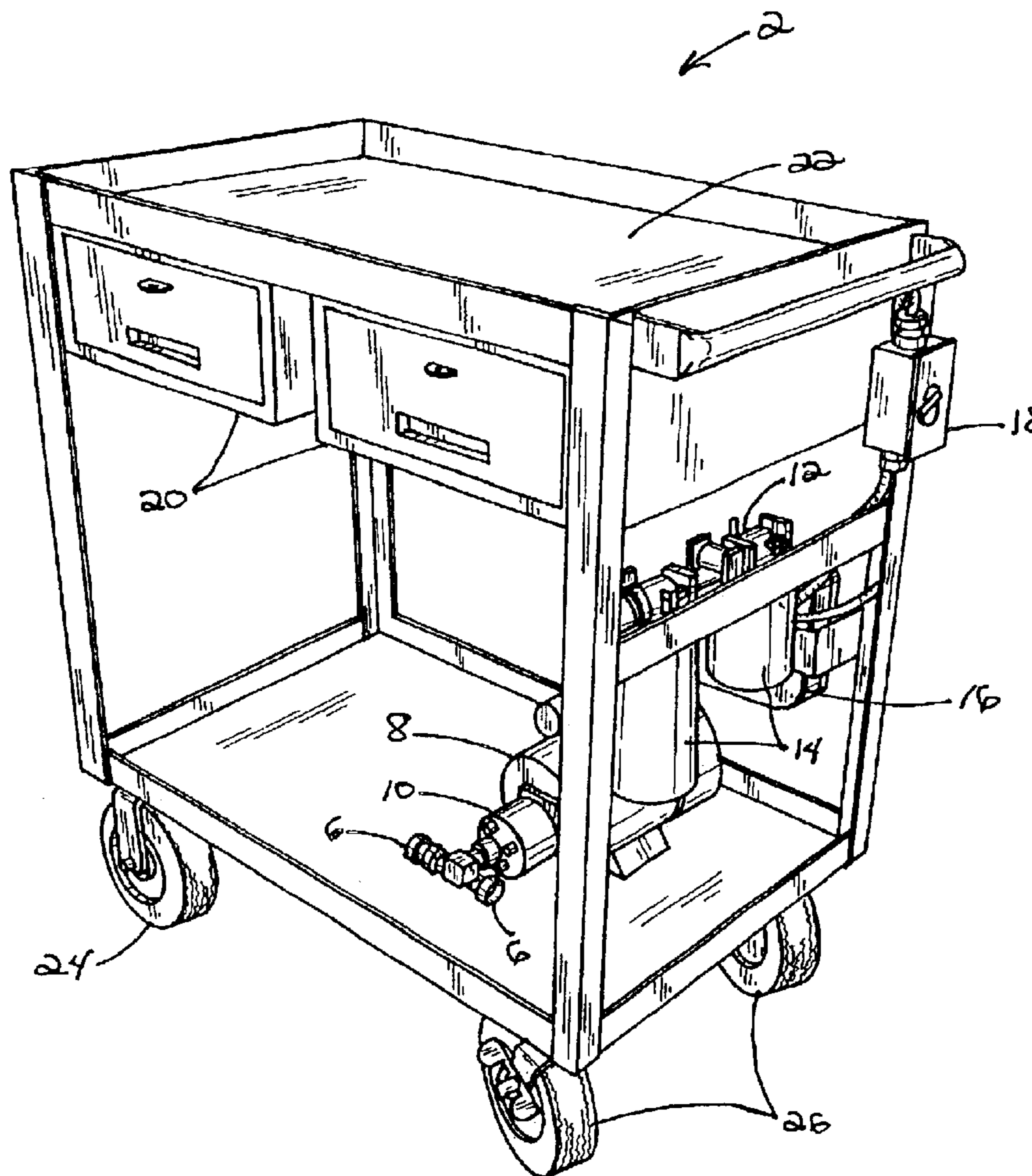
FIG. 4 is a perspective drawing showing rear, right side and top views of my new design for a hydraulic fluid-cleaning cart; and,

FIG. 5 is a perspective drawing showing the motor and filter manifold assembly removed from the cleaning cart.

* cited by examiner

Primary Examiner—Kay H. Chin

1 Claim, 5 Drawing Sheets



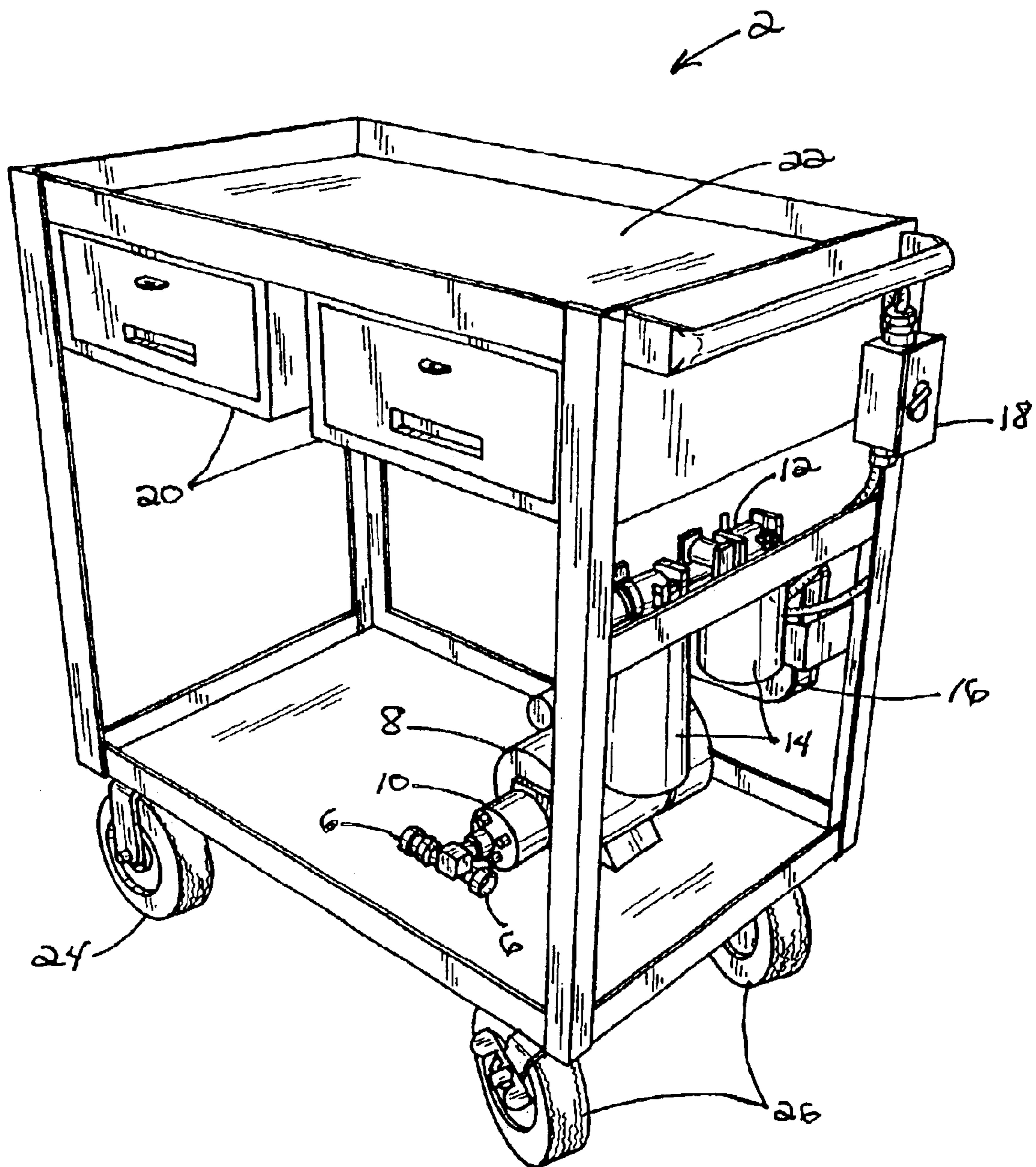


FIG. 1

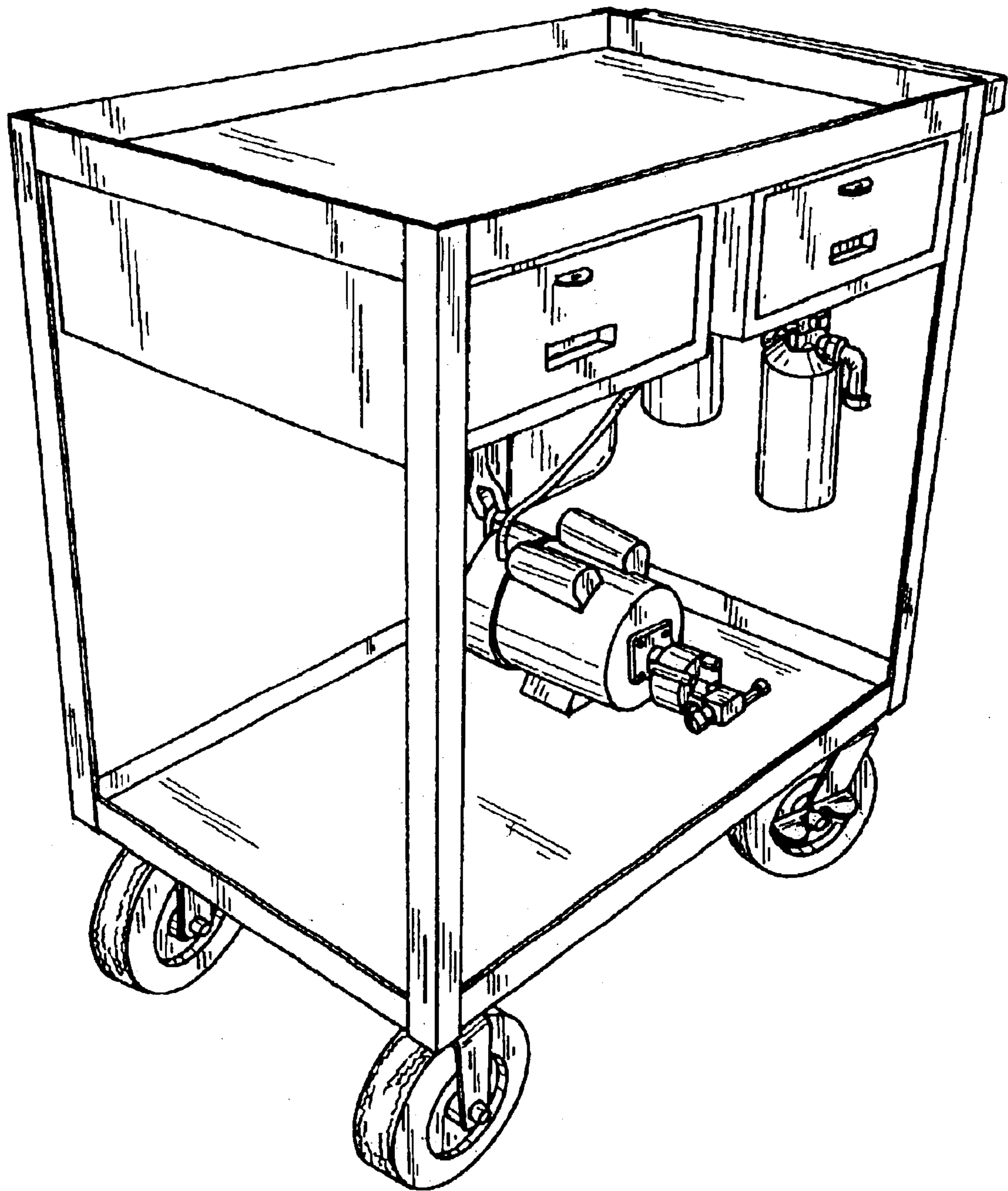


FIG. 2

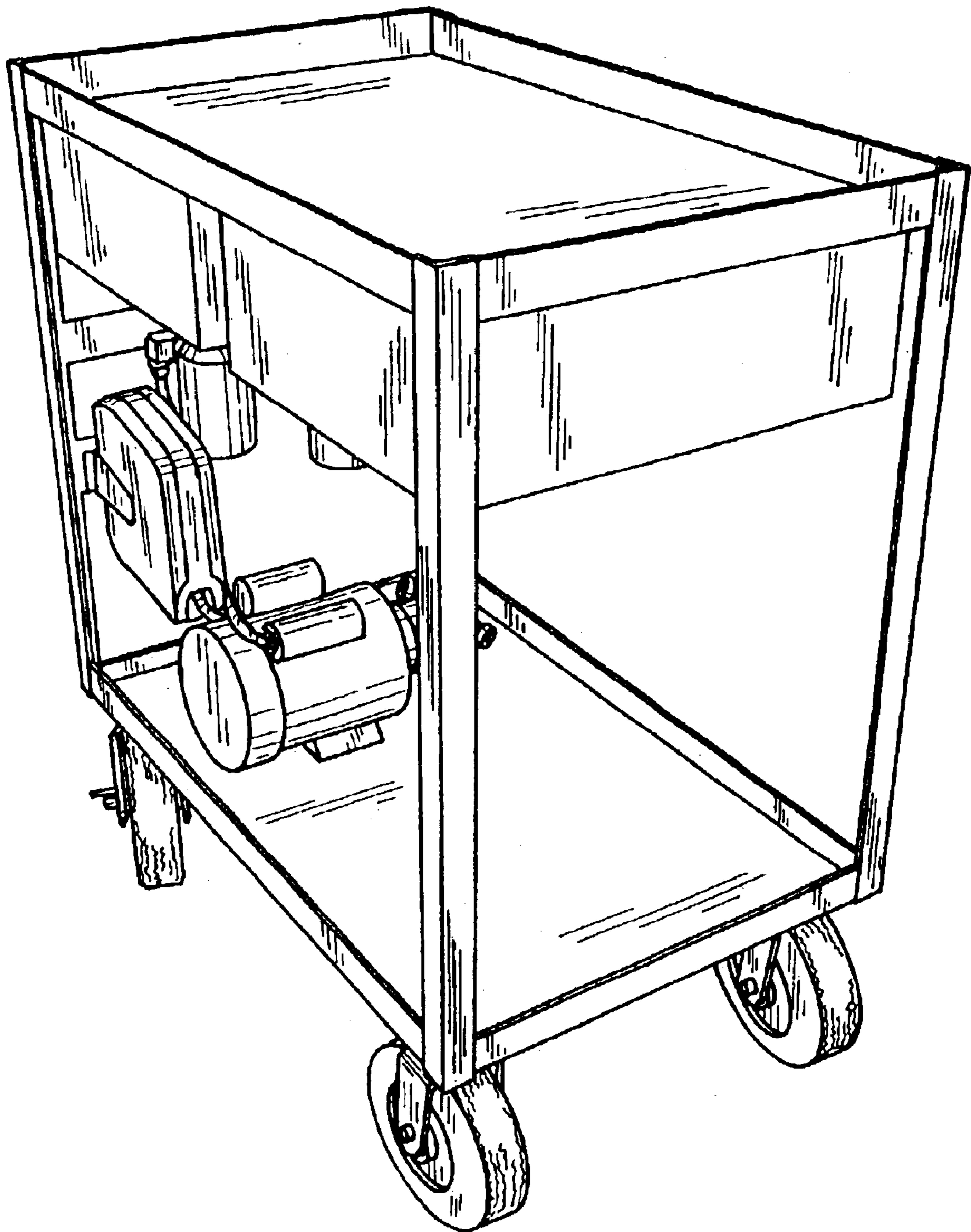


FIG. 3

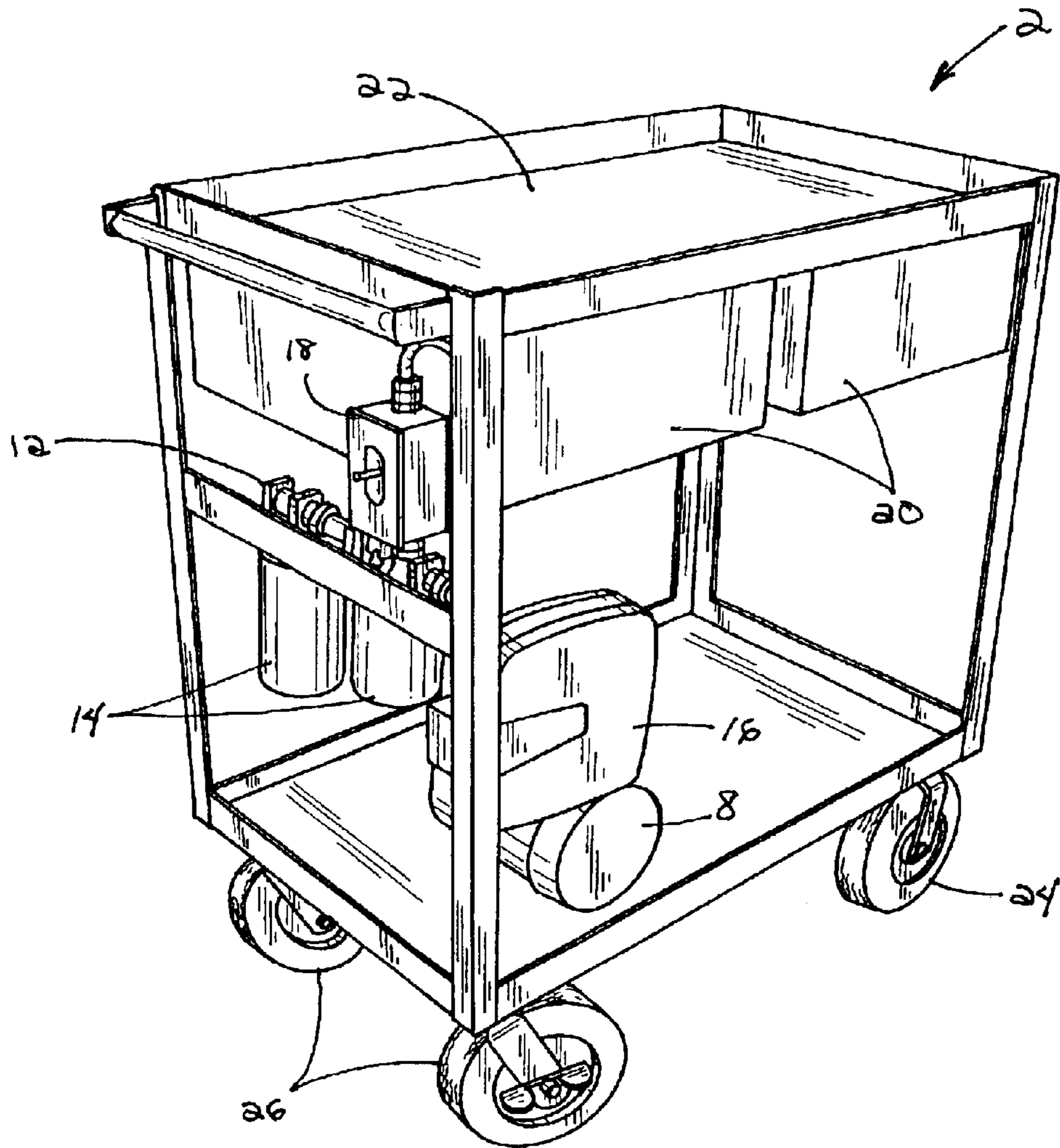


FIG. 4

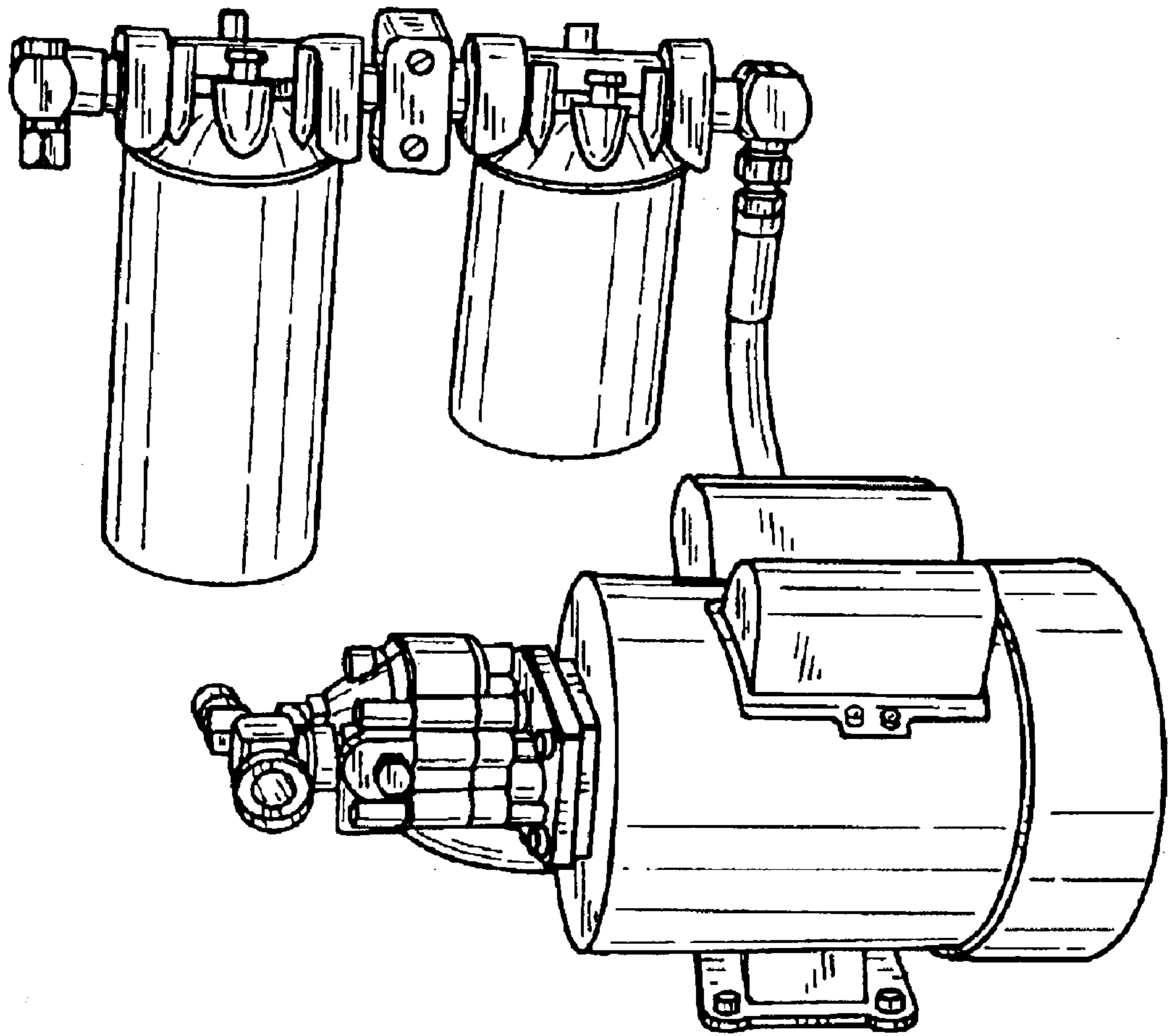


FIG. 5