

US00D493591S1

(12) **United States Design Patent** (10) **Patent No.:** **US D493,591 S**  
**Skalka** (45) **Date of Patent:** **\*\* Jul. 27, 2004**

(54) **RECYCLING BIN**  
(75) **Inventor:** **Gerald P. Skalka**, Potomac, MD (US)  
(73) **Assignee:** **OutdoorPartner Media, Inc.**, Toronto  
(\*\*) **Term:** **14 Years**  
(21) **Appl. No.:** **29/182,217**  
(22) **Filed:** **May 22, 2003**  
(51) **LOC (7) Cl.** ..... **09-09**  
(52) **U.S. Cl.** ..... **D34/7**  
(58) **Field of Search** ..... D34/1, 3, 4, 5,  
D34/6, 7, 8, 9, 10, 11; 220/908, 908.1,  
909, 910, 911, 913, 500, 553, 555, 503,  
504

(56) **References Cited**  
**U.S. PATENT DOCUMENTS**

3,394,832 A	7/1968	McAllister et al.	
3,793,756 A	2/1974	Kay et al.	
3,803,738 A	4/1974	Weiss	
4,335,828 A *	6/1982	Robinson et al. ....	220/826
D327,152 S	6/1992	Rose et al.	
D327,756 S	7/1992	Klein et al.	
5,183,175 A	2/1993	Brown	
D335,730 S *	5/1993	Tessner et al. ....	D34/7
5,218,782 A *	6/1993	Null et al. ....	43/124
D344,381 S *	2/1994	Martin et al. ....	D34/7
D349,380 S *	8/1994	Maturino ....	D34/7
D349,381 S *	8/1994	Fennell ....	D34/7
D356,419 S *	3/1995	Kamm ....	D34/7
D381,157 S	7/1997	Kane	
D390,265 S	2/1998	Cheris et al.	
5,967,355 A	10/1999	Ragot	
D428,229 S	7/2000	Olivetti	
6,193,091 B1	2/2001	Olivetti	
D441,934 S *	5/2001	Leess ....	D34/7
D458,049 S	6/2002	Prins et al.	
D461,649 S	8/2002	Prins et al.	

\* cited by examiner

*Primary Examiner*—Cynthia E. Ramirez  
(74) *Attorney, Agent, or Firm*—Jacobson Holman PLLC

(57) **CLAIM**

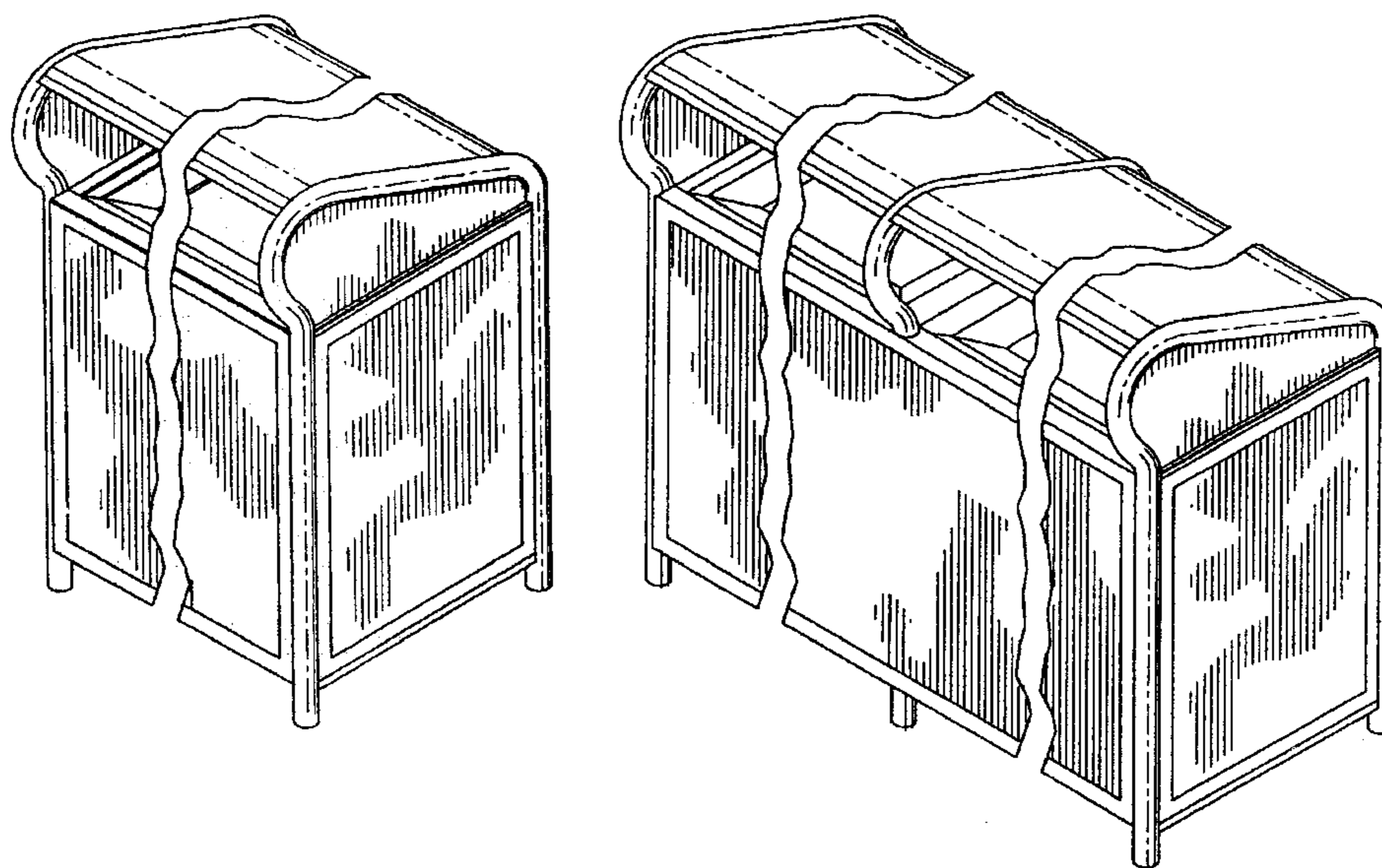
The ornamental design for a recycling bin, as shown and described.

**DESCRIPTION**

FIG. 1 is a perspective view of a recycling bin showing a first embodiment of my new design;  
FIG. 2 is a front elevational view of the recycling bin of FIG. 1;  
FIG. 3 is a back elevational view of the recycling bin of FIG. 1;  
FIG. 4 is a left side elevational view of the recycling bin of FIG. 1, the right side elevational view being the same as the left side view;  
FIG. 5 is a top plan view of the recycling bin of FIG. 1;  
FIG. 6 is a bottom plan view of the recycling bin of FIG. 1;  
FIG. 7 is a perspective view of a recycling bin showing a second embodiment of my new design;  
FIG. 8 is a front elevational view of the recycling bin of FIG. 7;  
FIG. 9 is a back elevational view of the recycling bin of FIG. 7;  
FIG. 10 is a left side elevational view of the recycling bin of FIG. 7, the right side elevational view being the same as the left side view;  
FIG. 11 is a top plan view of the recycling bin of FIG. 7; and,  
FIG. 12 is a bottom plan view of the recycling bin of FIG. 7.

The recycling bin of FIGS. 1–6 is shown in the views with a portion broken-away to indicate indeterminate width.  
The recycling bin of FIGS. 7–12 is shown in the views with portions broken-away to indicate indeterminate width.

**1 Claim, 5 Drawing Sheets**



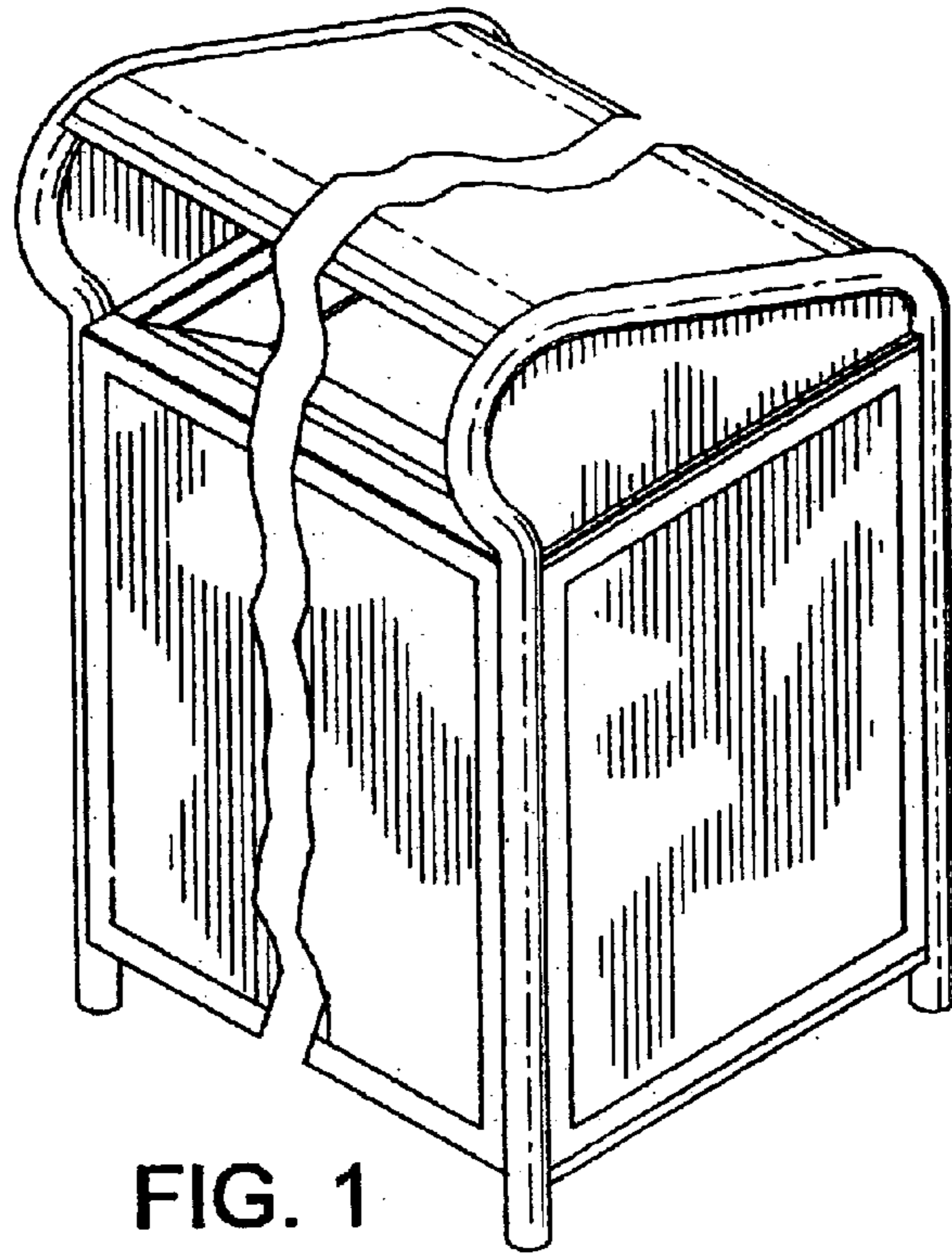


FIG. 1

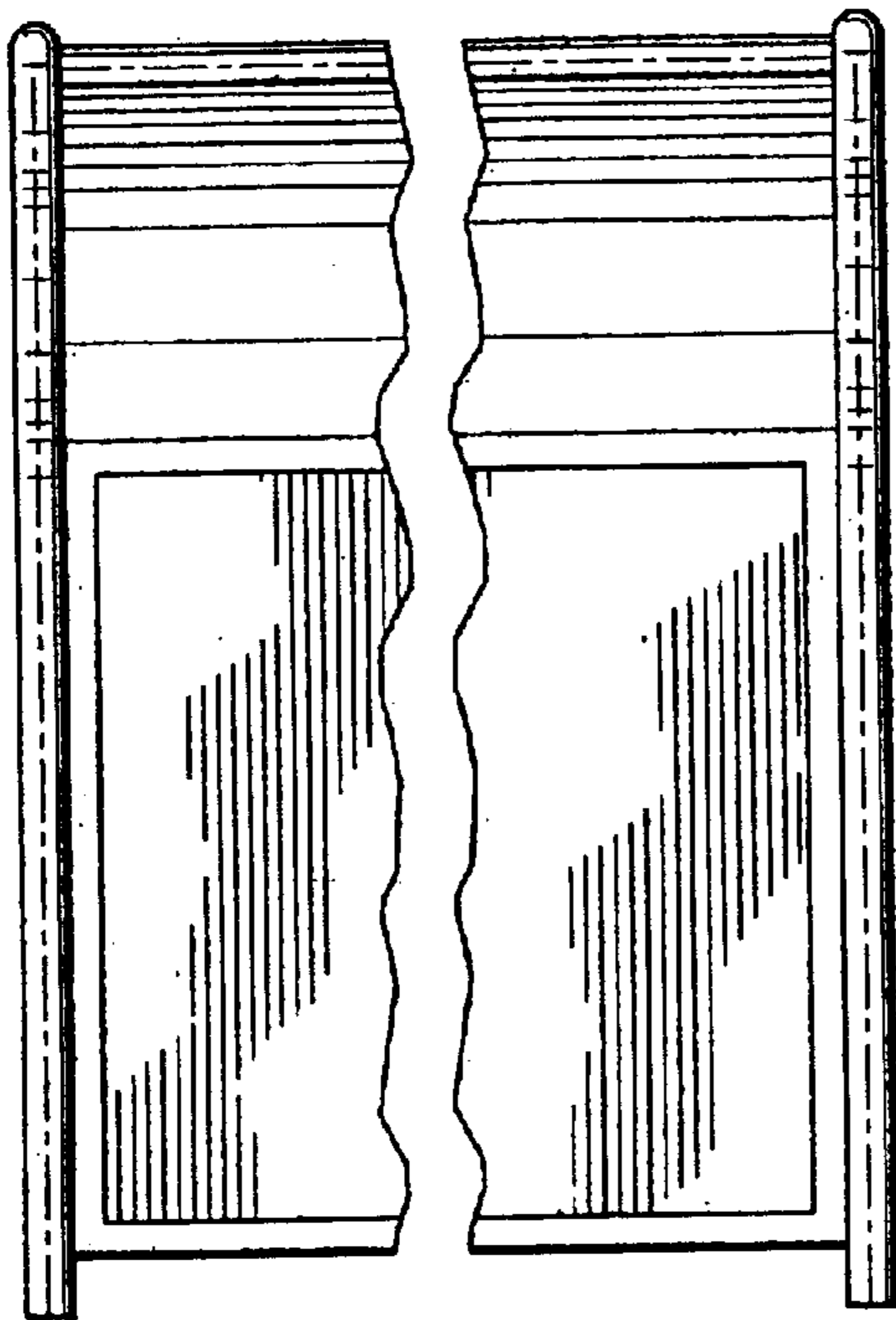


FIG. 2

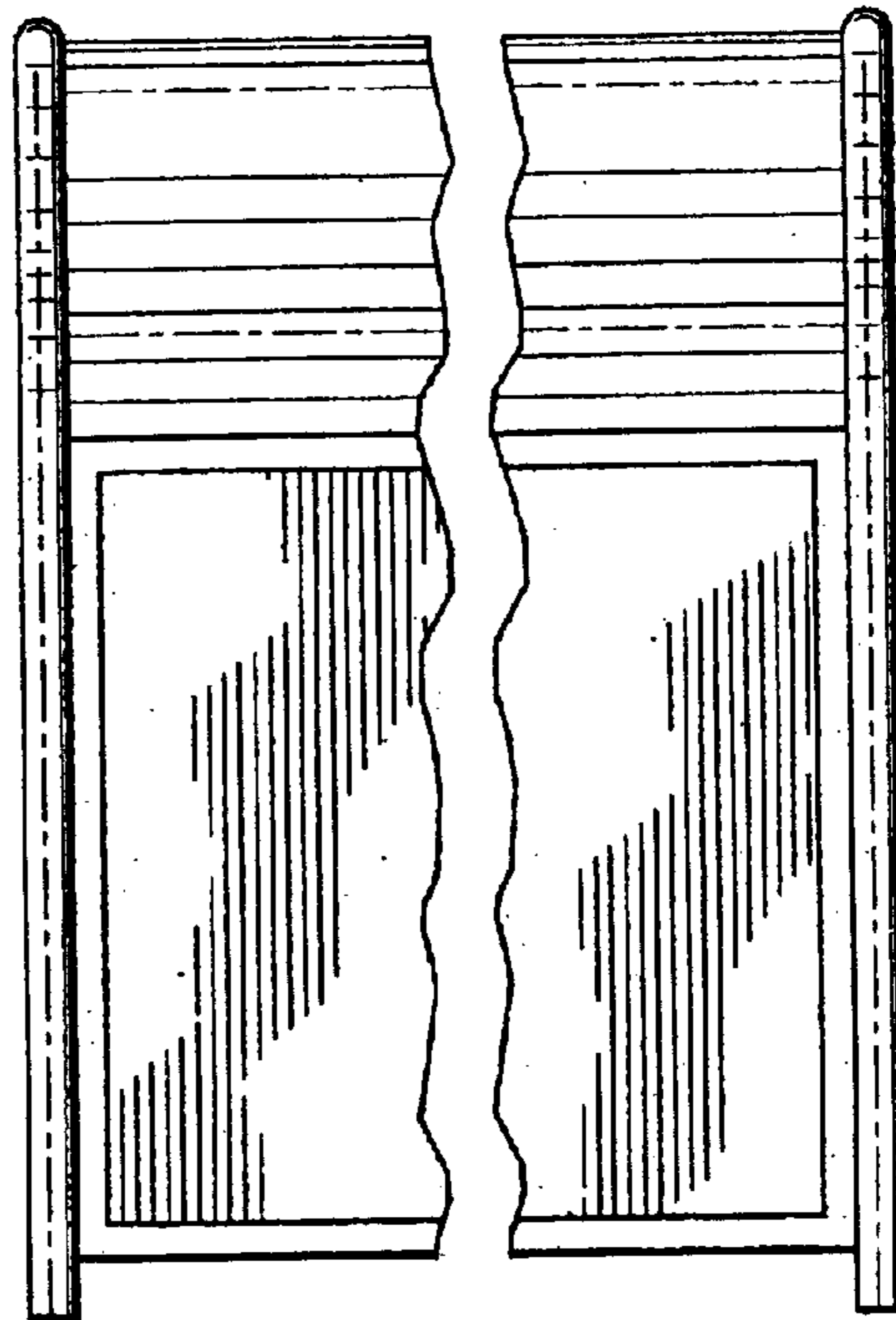


FIG. 3

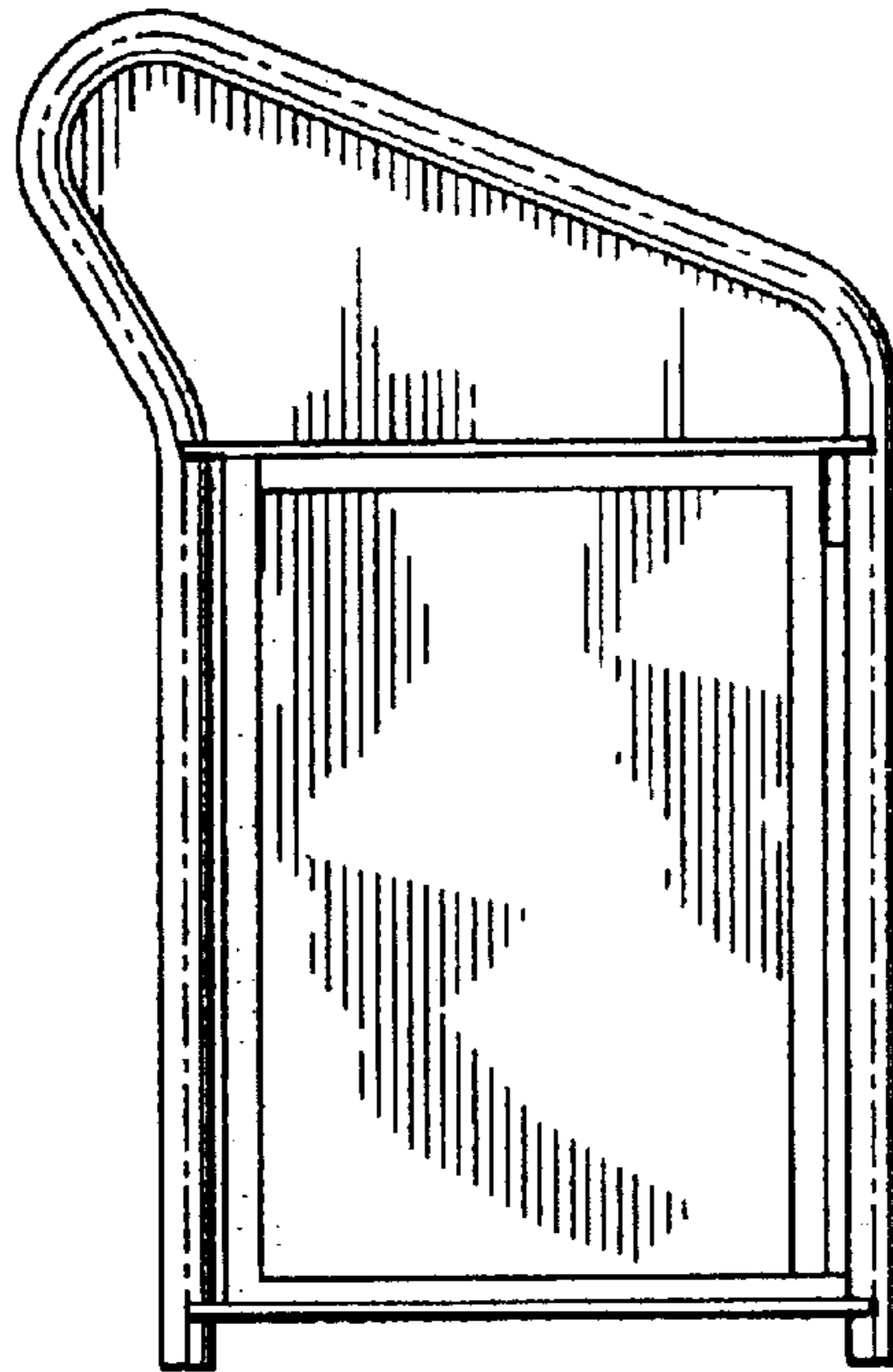


FIG. 4

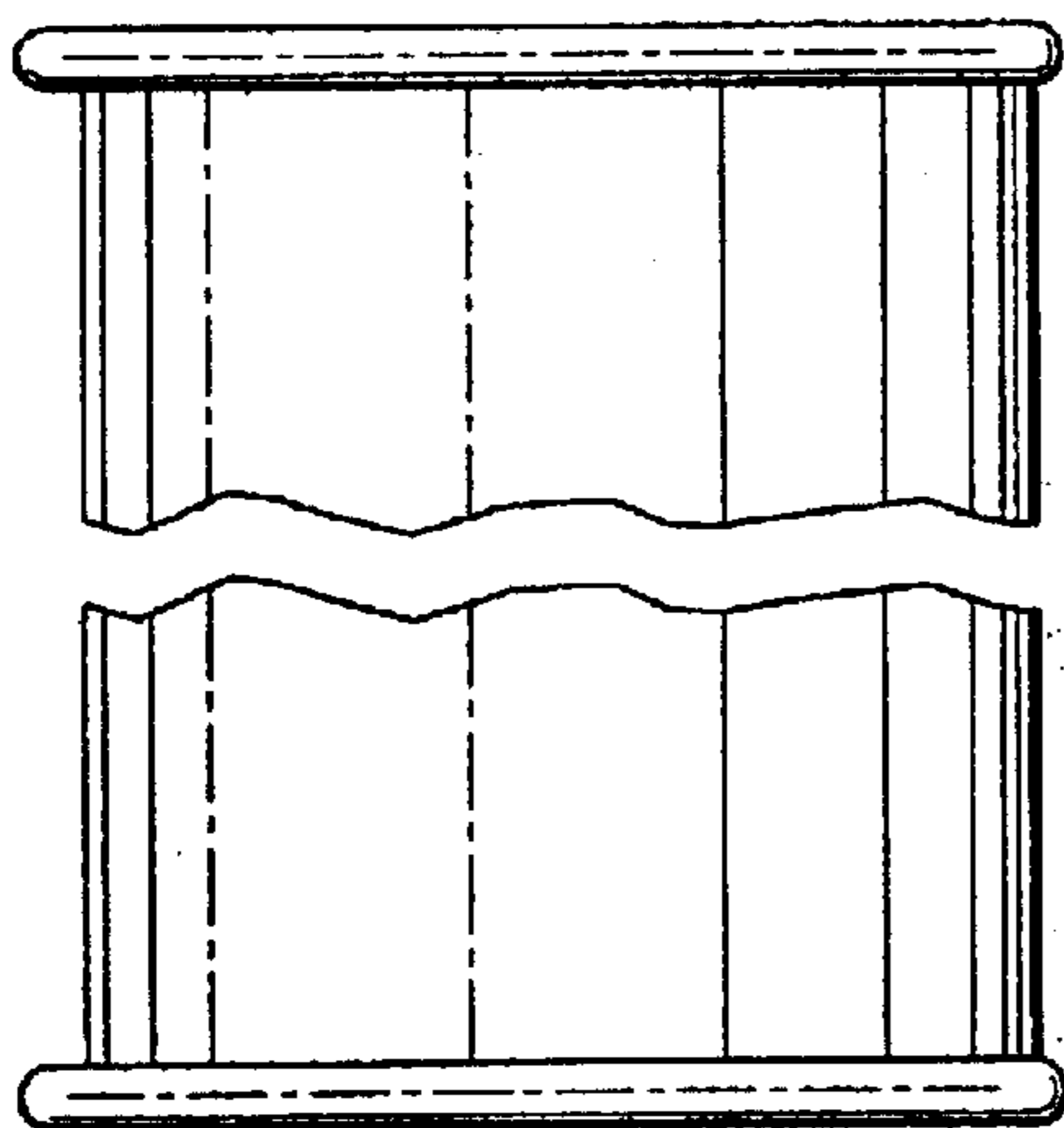


FIG. 5

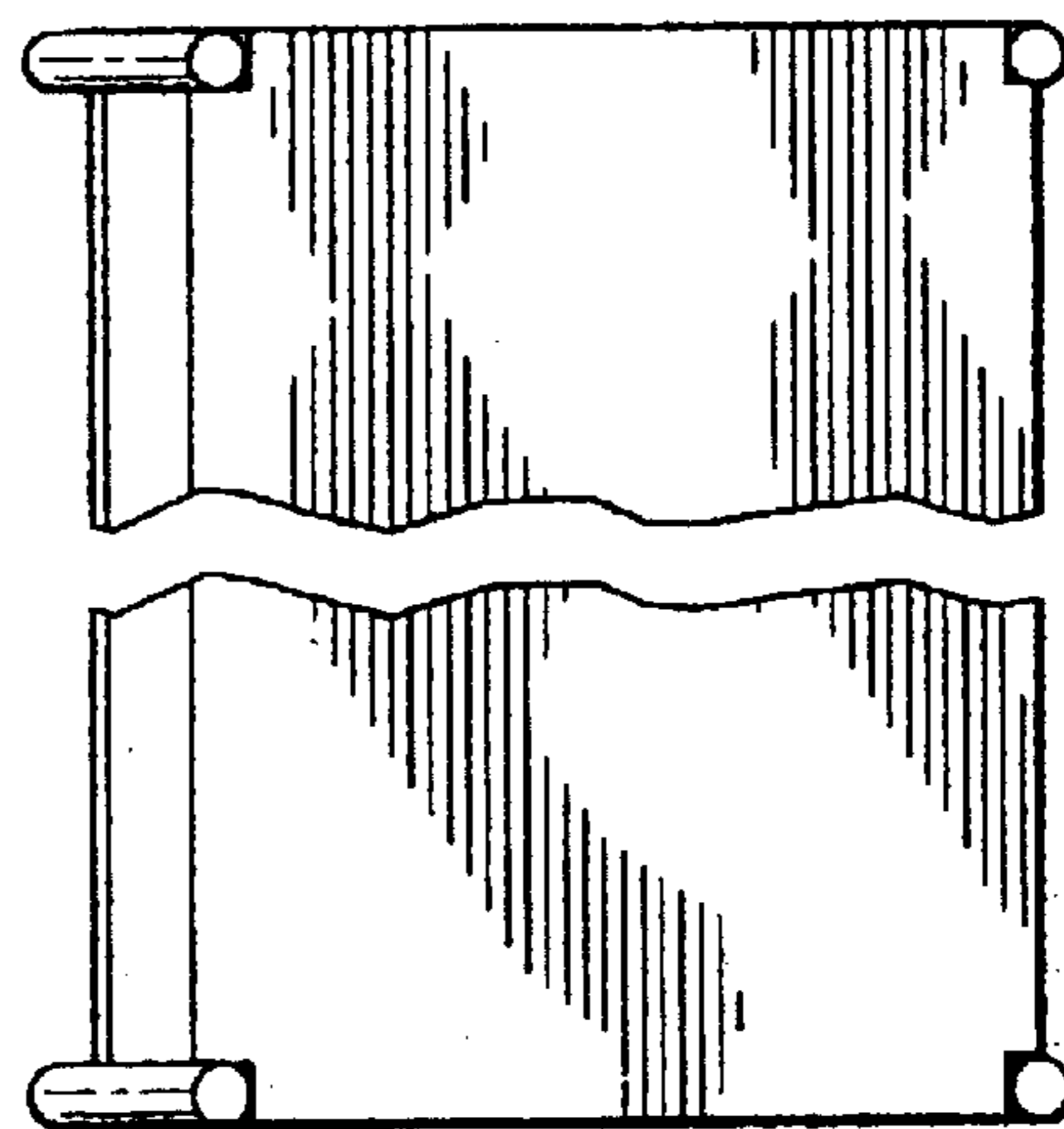


FIG. 6

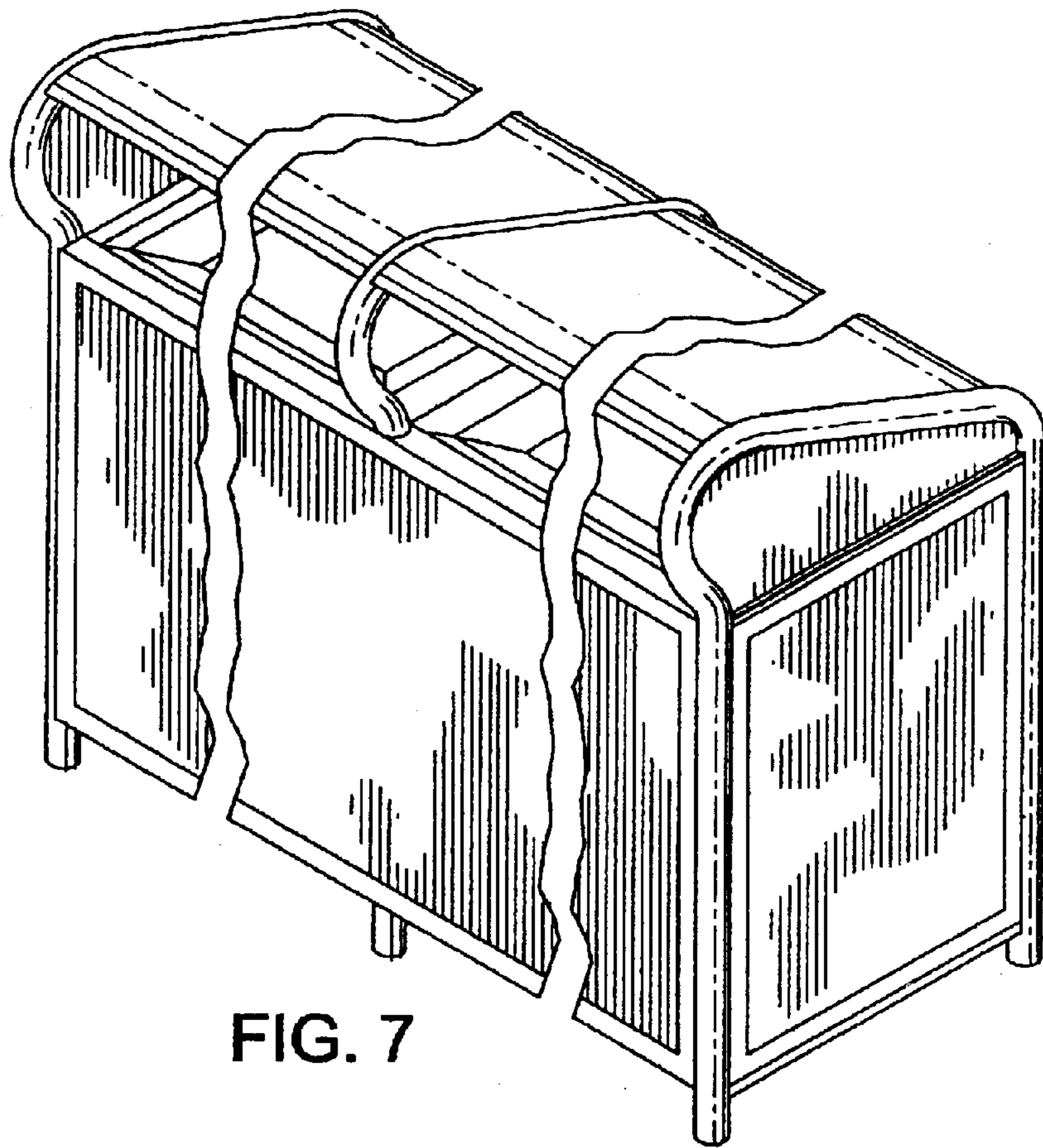


FIG. 7

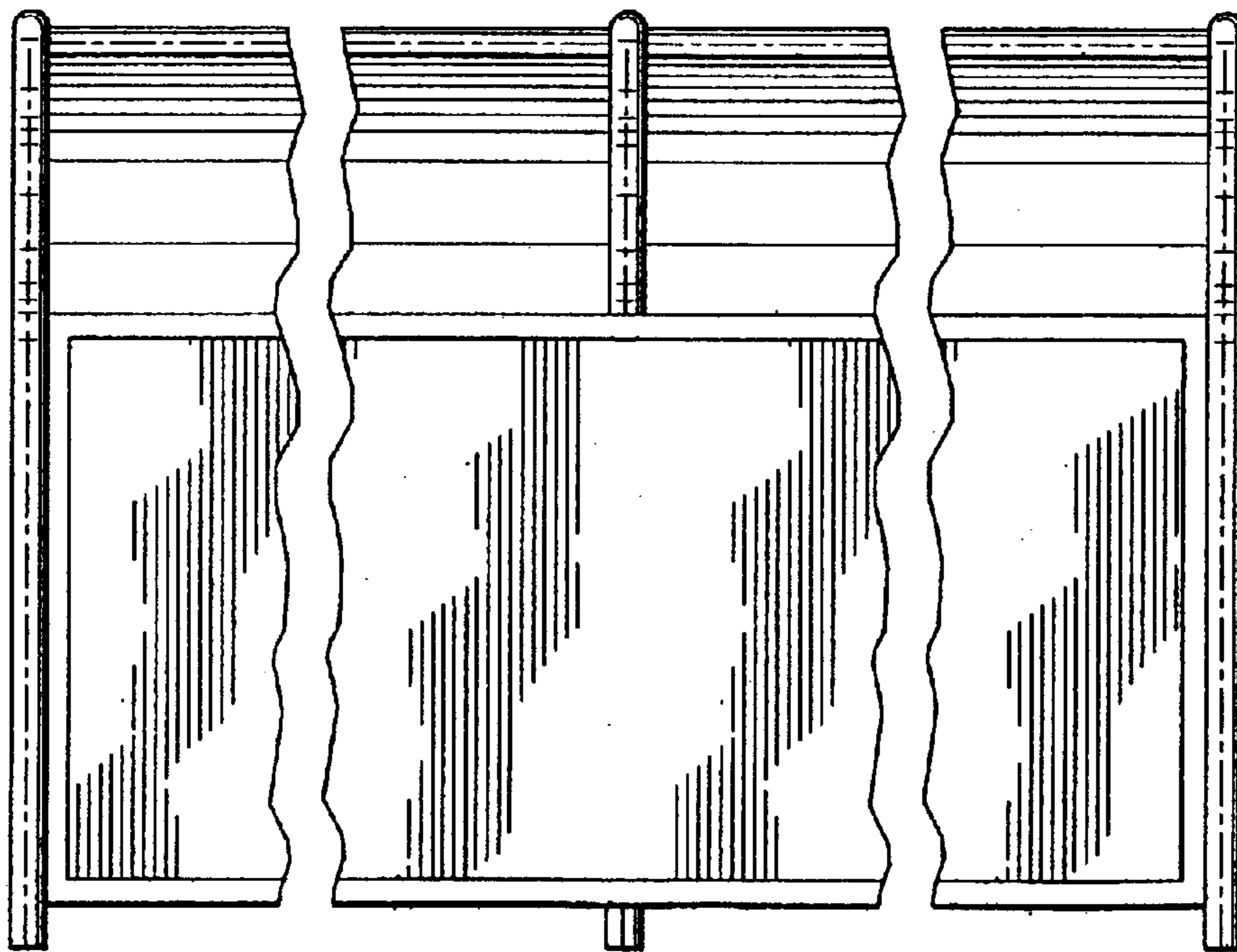


FIG. 8

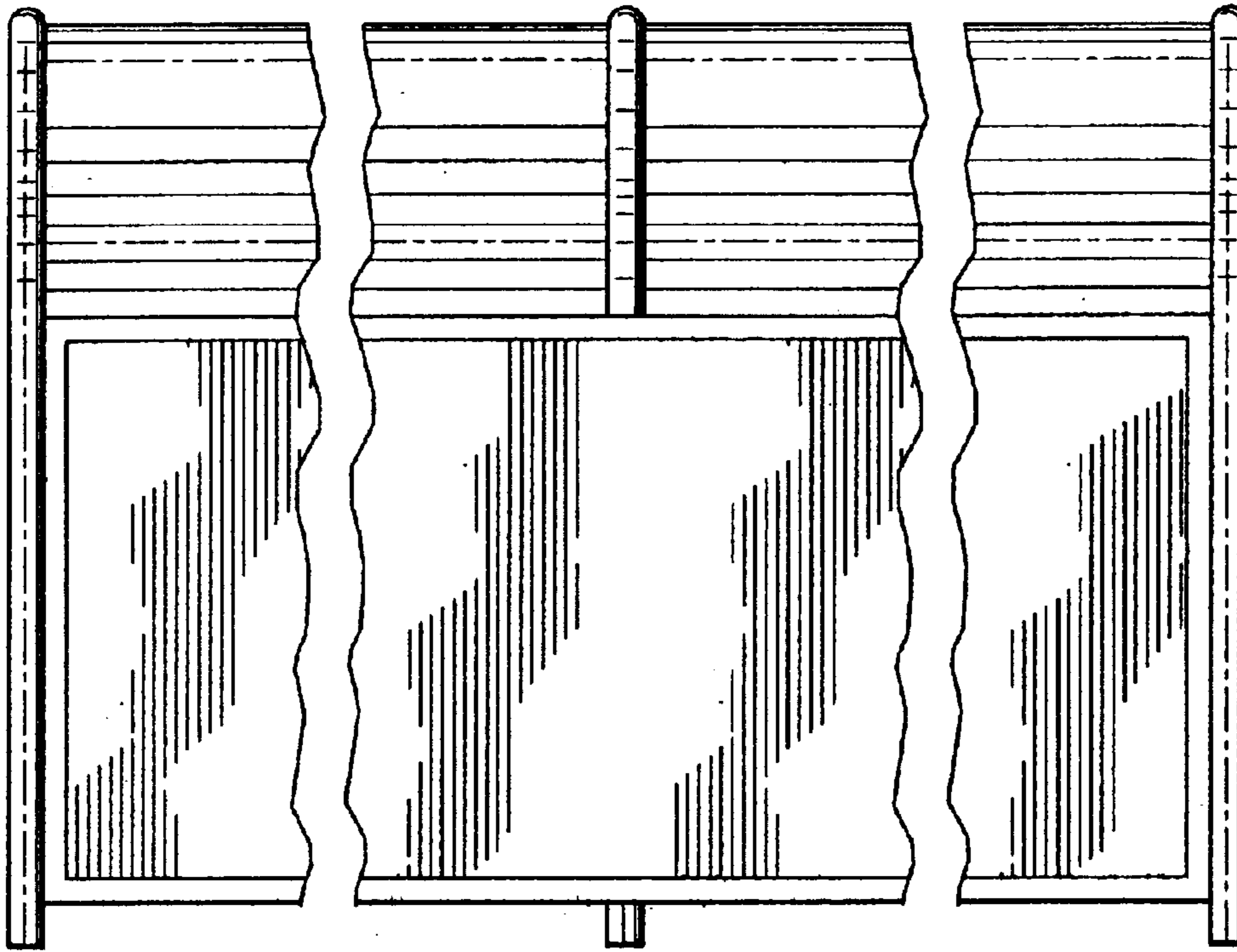


FIG. 9

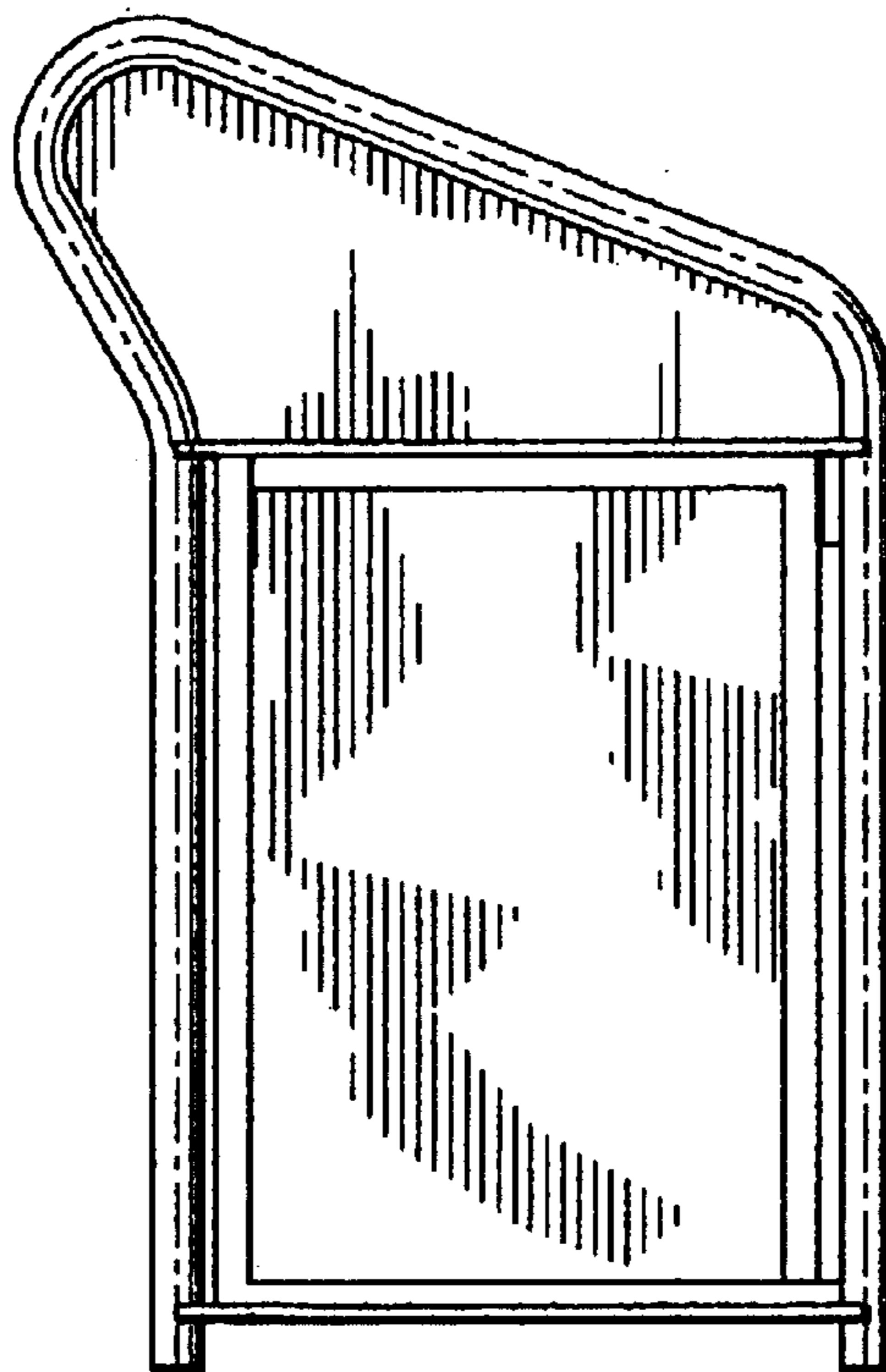


FIG. 10

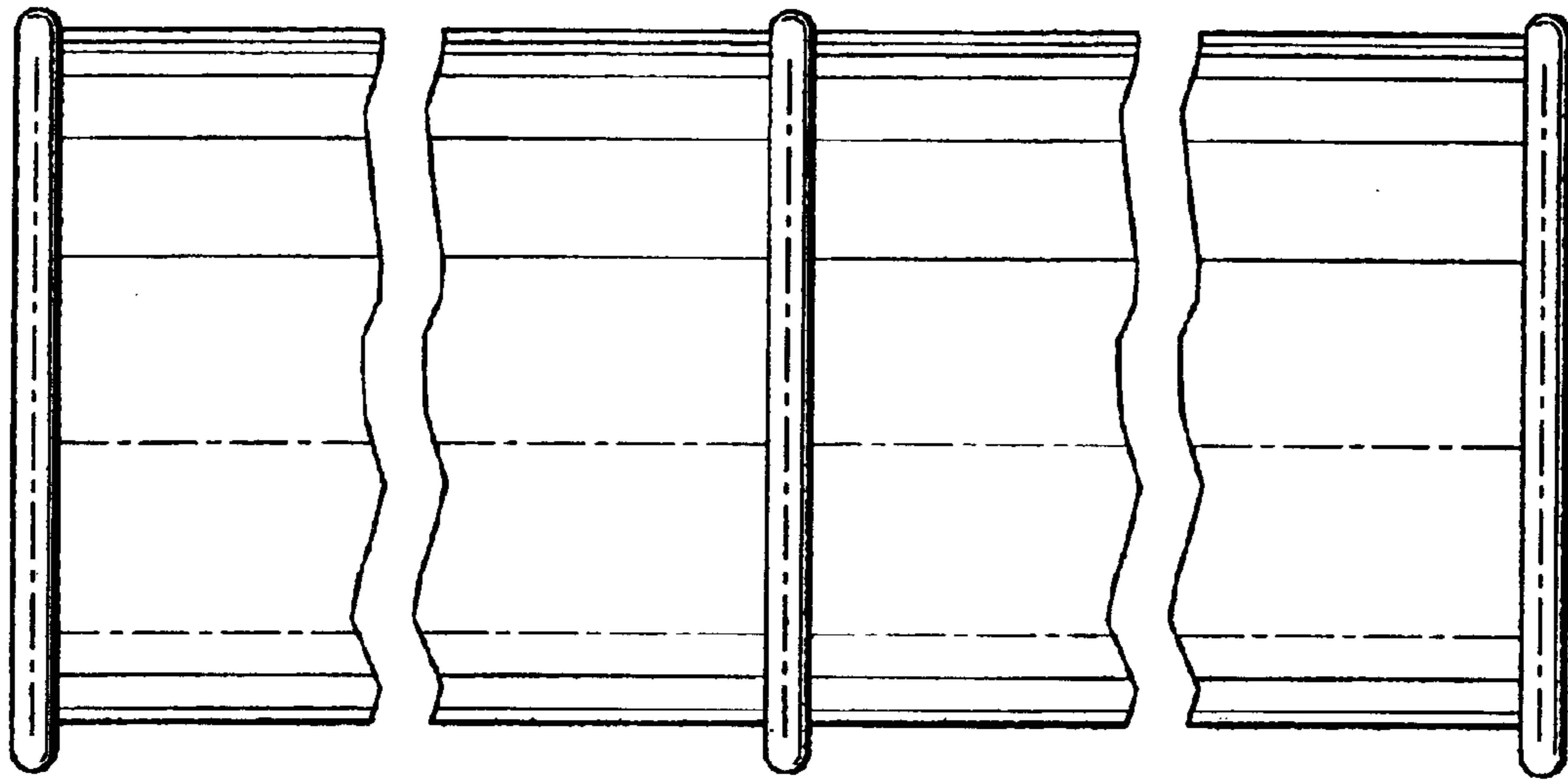


FIG. 11

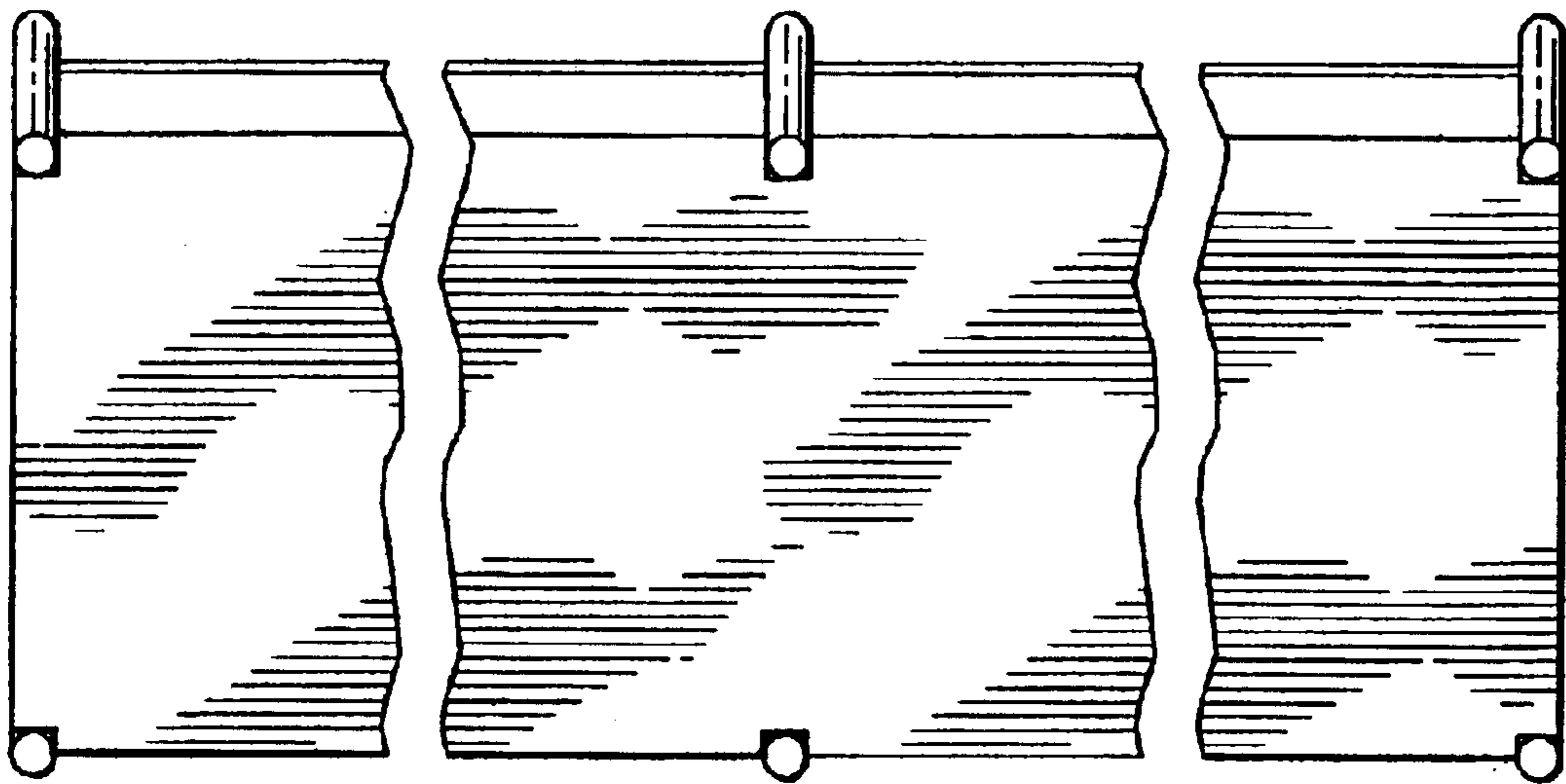


FIG. 12