

US00D493590S1

(12) **United States Design Patent**  
**Chen**

(10) **Patent No.:** **US D493,590 S**  
(45) **Date of Patent:** **\*\* Jul. 27, 2004**

- (54) **WASTE BASKET**
- (75) Inventor: **Peter Chen**, West Windsor, NJ (US)
- (73) Assignee: **Officemate International Corporation**,  
Edison, NJ (US)
- (\*\*) Term: **14 Years**
- (21) Appl. No.: **29/166,297**
- (22) Filed: **Aug. 23, 2002**
- (51) **LOC (7) Cl.** ..... **09-09**
- (52) **U.S. Cl.** ..... **D34/1**
- (58) **Field of Search** ..... D34/1, 5, 6, 7,  
D34/8, 9; 220/908, 908.1, 909, 910, DIG. 4;  
D32/37, 53; D3/304, 309; D19/85, 81,  
84, 100

- D343,485 S \* 1/1994 Hampshire ..... D34/1
- 5,388,717 A \* 2/1995 LeVasseur ..... 220/495.06
- 5,419,452 A \* 5/1995 Mueller et al. .... 220/495.08
- D365,427 S \* 12/1995 Brightbill et al. .... D34/1
- D376,456 S \* 12/1996 Presnell et al. .... D34/1
- D381,159 S \* 7/1997 Hampton ..... D34/1
- D387,530 S \* 12/1997 Doxey ..... D34/1
- D387,531 S \* 12/1997 Tisbo et al. .... D34/1
- D398,118 S \* 9/1998 Douglas ..... D34/1
- D401,719 S \* 11/1998 Van Leeuwen et al. .... D34/1
- D405,576 S \* 2/1999 Rausch ..... D34/1
- D419,739 S \* 1/2000 Hampshire ..... D34/1
- D420,185 S \* 2/2000 Hampshire ..... D34/1
- D434,802 S \* 12/2000 Chang ..... D19/77
- D448,133 S \* 9/2001 Windle ..... D34/1
- D450,900 S \* 11/2001 Truskowski ..... D34/1
- D458,429 S \* 6/2002 Lenard ..... D34/1
- D463,084 S \* 9/2002 Forest ..... D34/1

\* cited by examiner

(56) **References Cited**

**U.S. PATENT DOCUMENTS**

- D138,755 S \* 9/1944 Benton ..... D34/1
- 4,576,310 A \* 3/1986 Isgar et al. .... 220/495.1
- D292,037 S \* 9/1987 Hanifl ..... D34/7
- D294,992 S \* 3/1988 Bouge ..... D34/1
- 4,895,267 A \* 1/1990 Karlsson ..... 220/4.28
- D320,102 S \* 9/1991 Harford, Jr. .... D34/1
- D322,939 S \* 1/1992 Murray ..... D9/432
- 5,082,139 A \* 1/1992 Quam ..... 220/530
- 5,108,000 A \* 4/1992 Stoll et al. .... 220/23.4
- D326,173 S \* 5/1992 Newbold ..... D34/6
- D326,746 S \* 6/1992 Adams ..... D34/5
- 5,167,342 A \* 12/1992 Merritt ..... 220/495.08
- D332,334 S \* 1/1993 Jones ..... D34/9
- D337,187 S \* 7/1993 Hampshire ..... D34/1
- D342,815 S \* 12/1993 Shafer ..... D34/1
- D342,817 S \* 12/1993 Lippisch et al. .... D34/7

*Primary Examiner*—Cynthia E. Ramirez

(74) *Attorney, Agent, or Firm*—Daniel Kirshner, Esq.

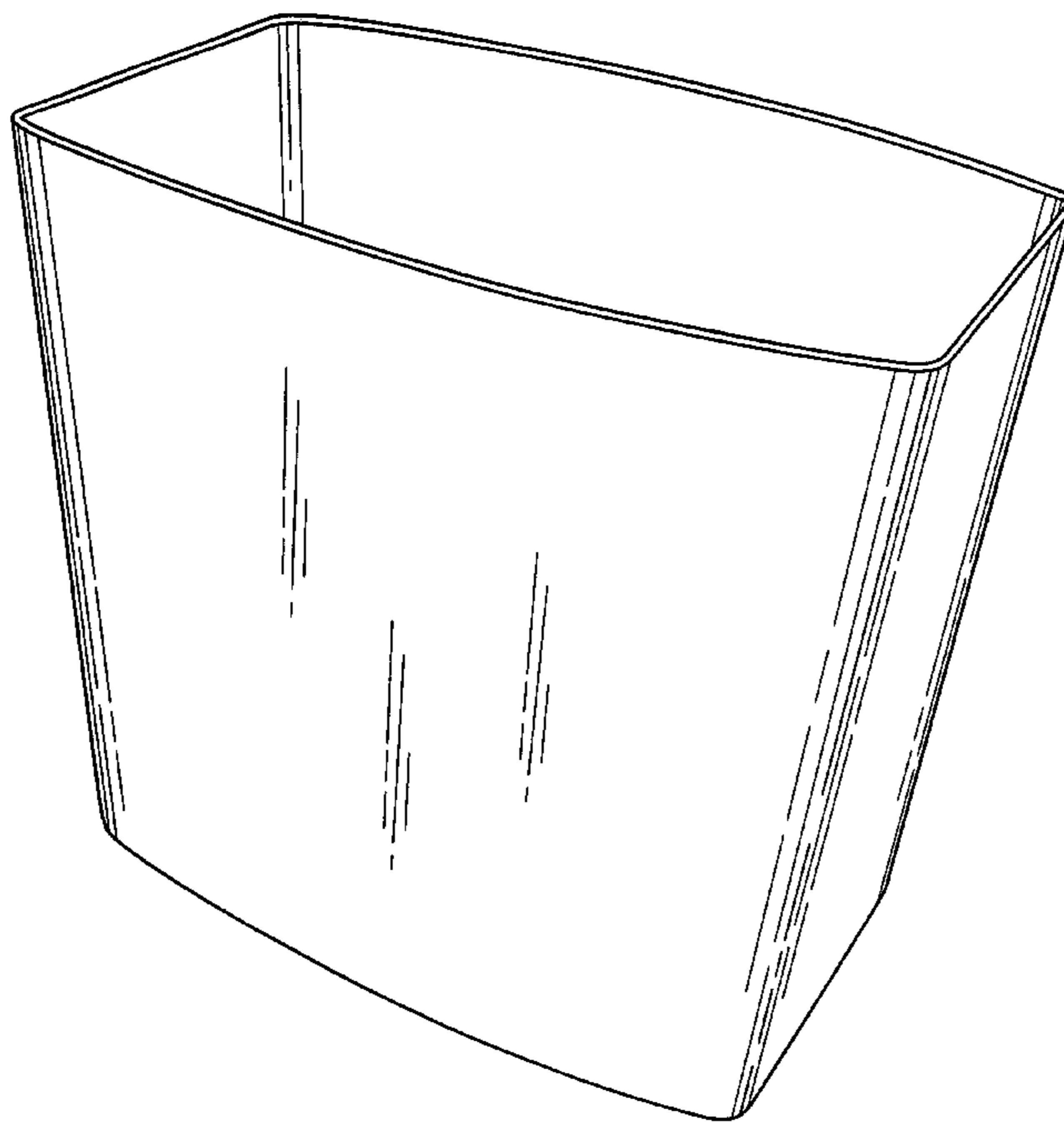
(57) **CLAIM**

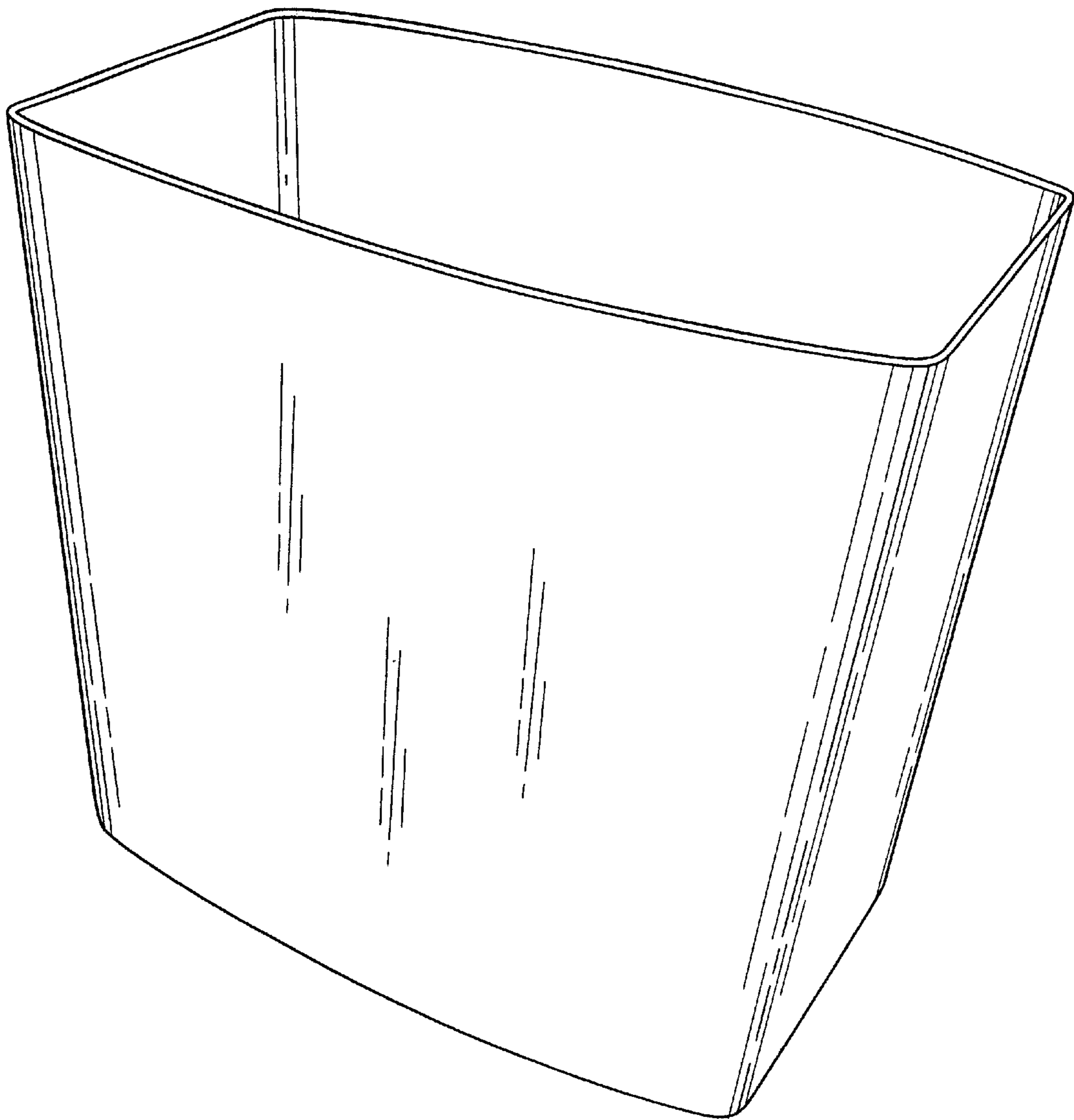
The ornamental design for the waste basket, as shown.

**DESCRIPTION**

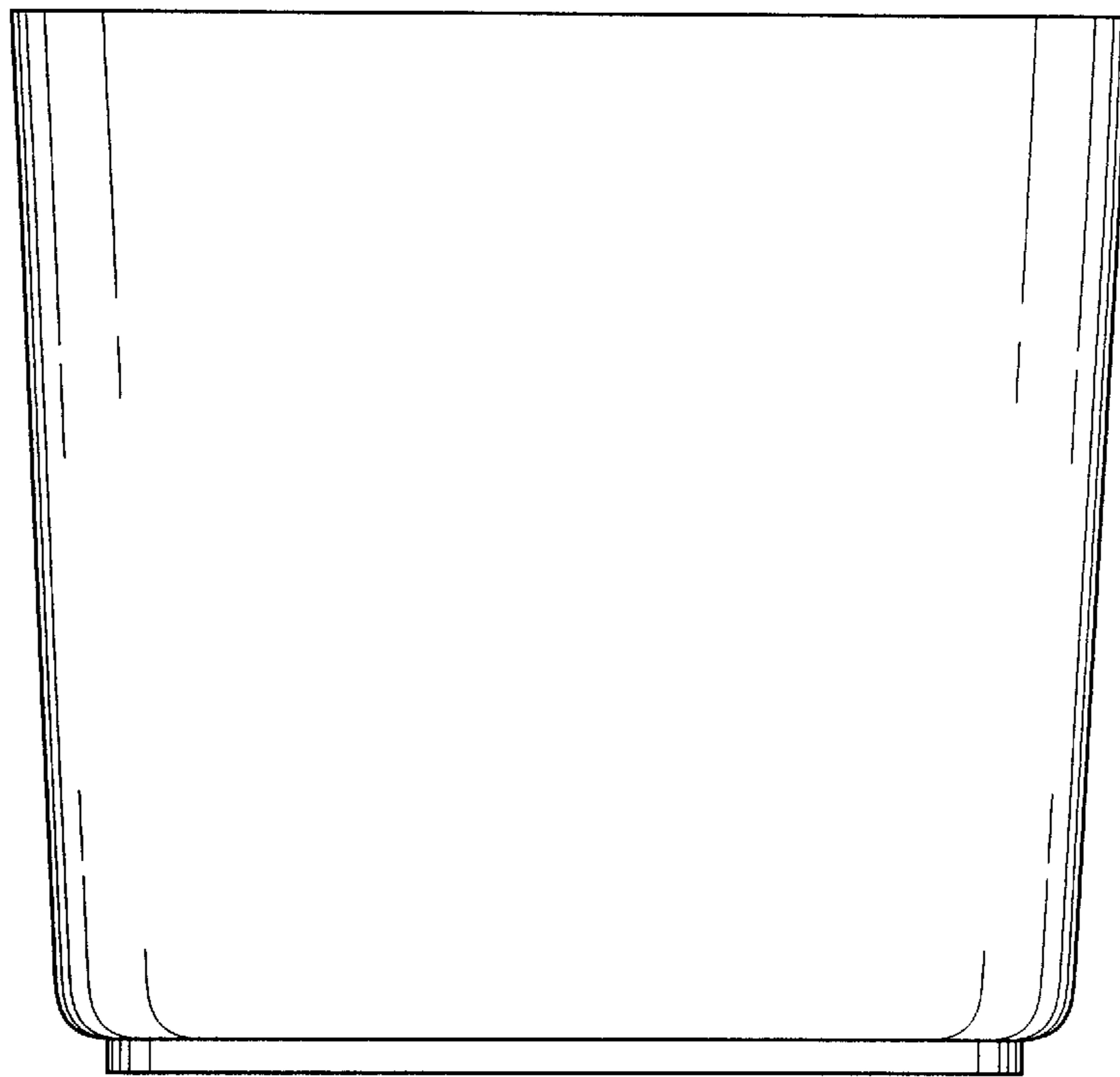
FIG. 1 is a front perspective view of the waste basket showing the design;  
 FIG. 2 is a front elevational view thereof;  
 FIG. 3 is a rear elevational view thereof;  
 FIG. 4 is a right side elevational view thereof;  
 FIG. 5 is a left side elevational view thereof;  
 FIG. 6 is a top plan view thereof; and,  
 FIG. 7 is a bottom plan view thereof.

**1 Claim, 4 Drawing Sheets**

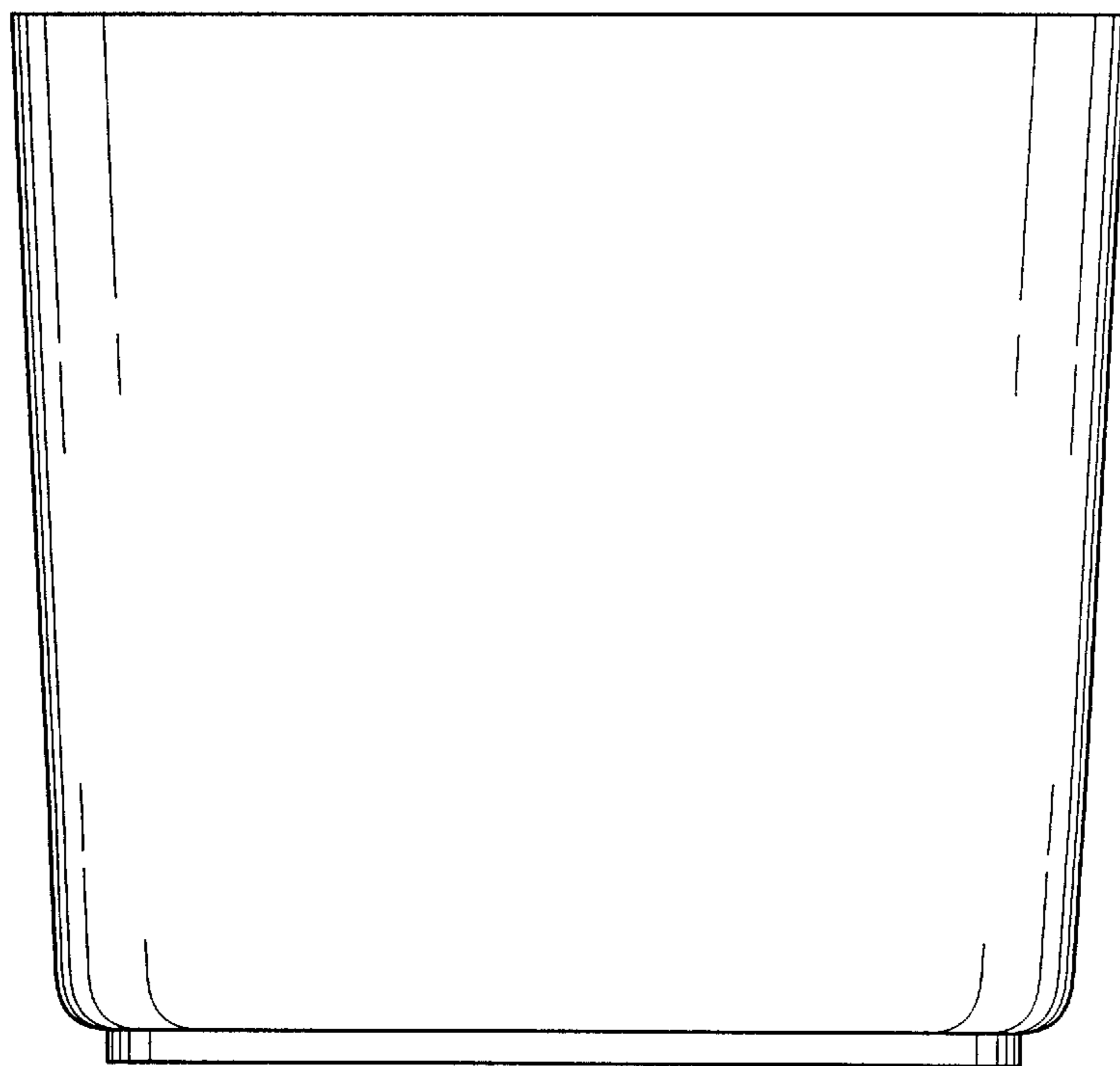




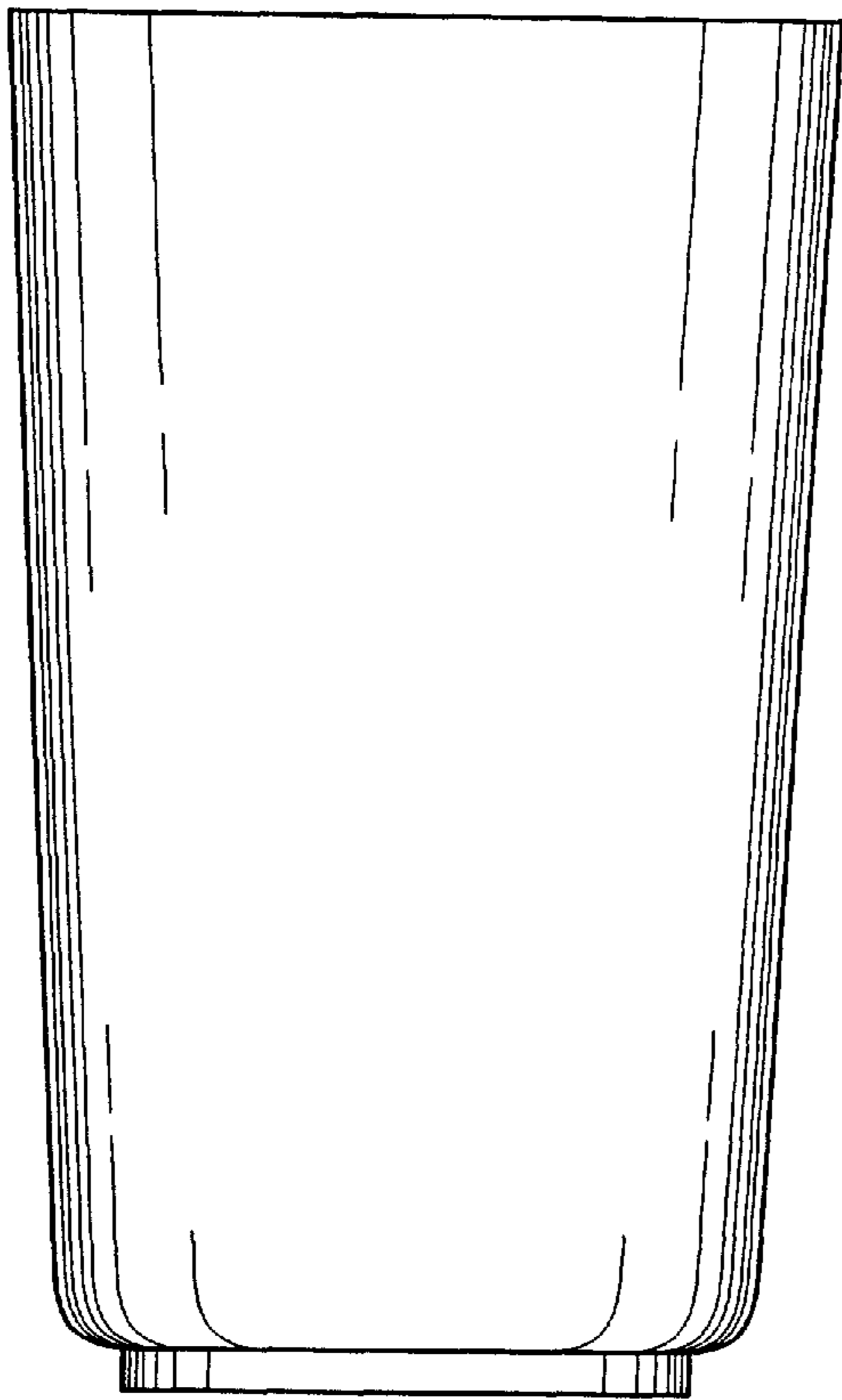
***FIG. 1***



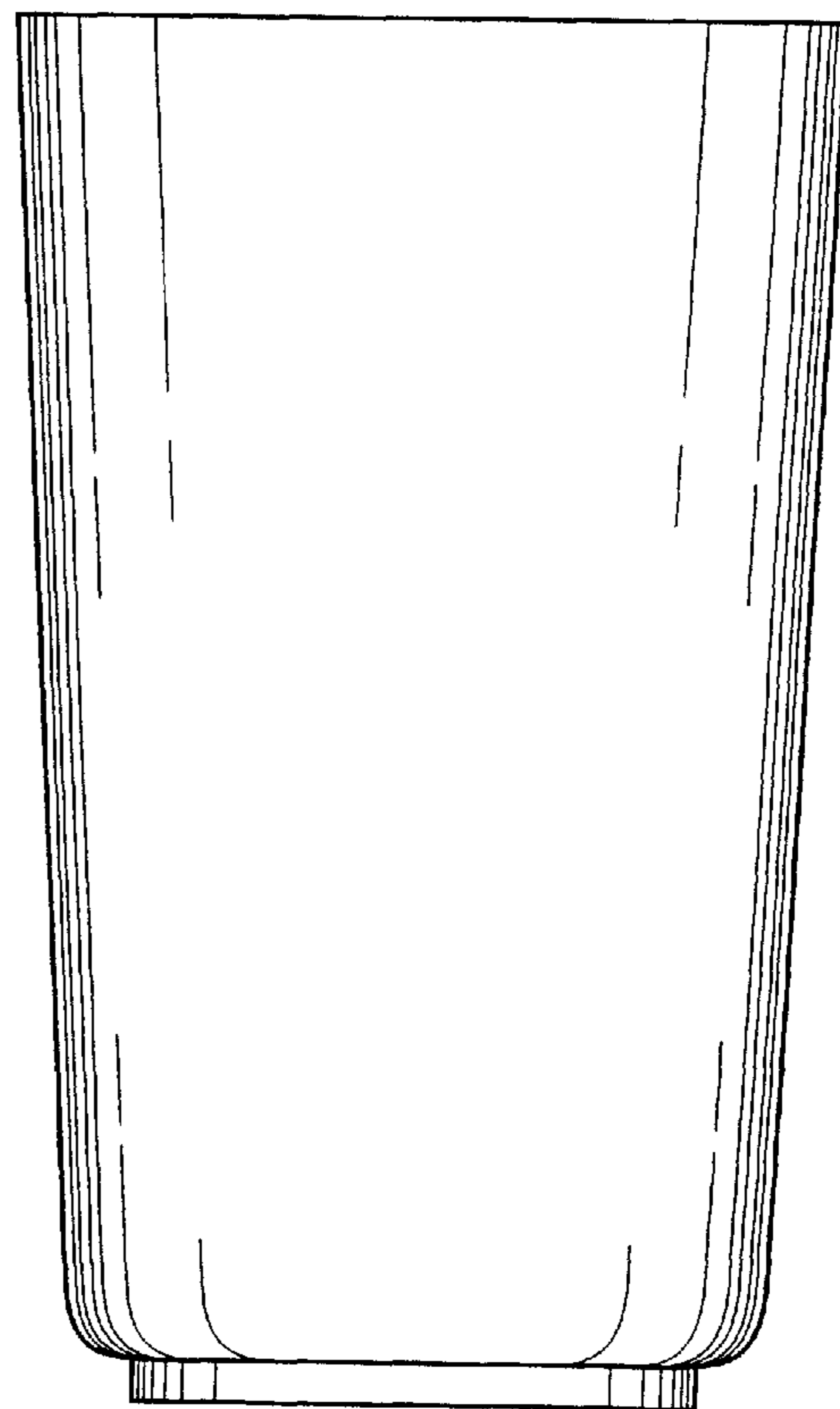
***FIG. 2***



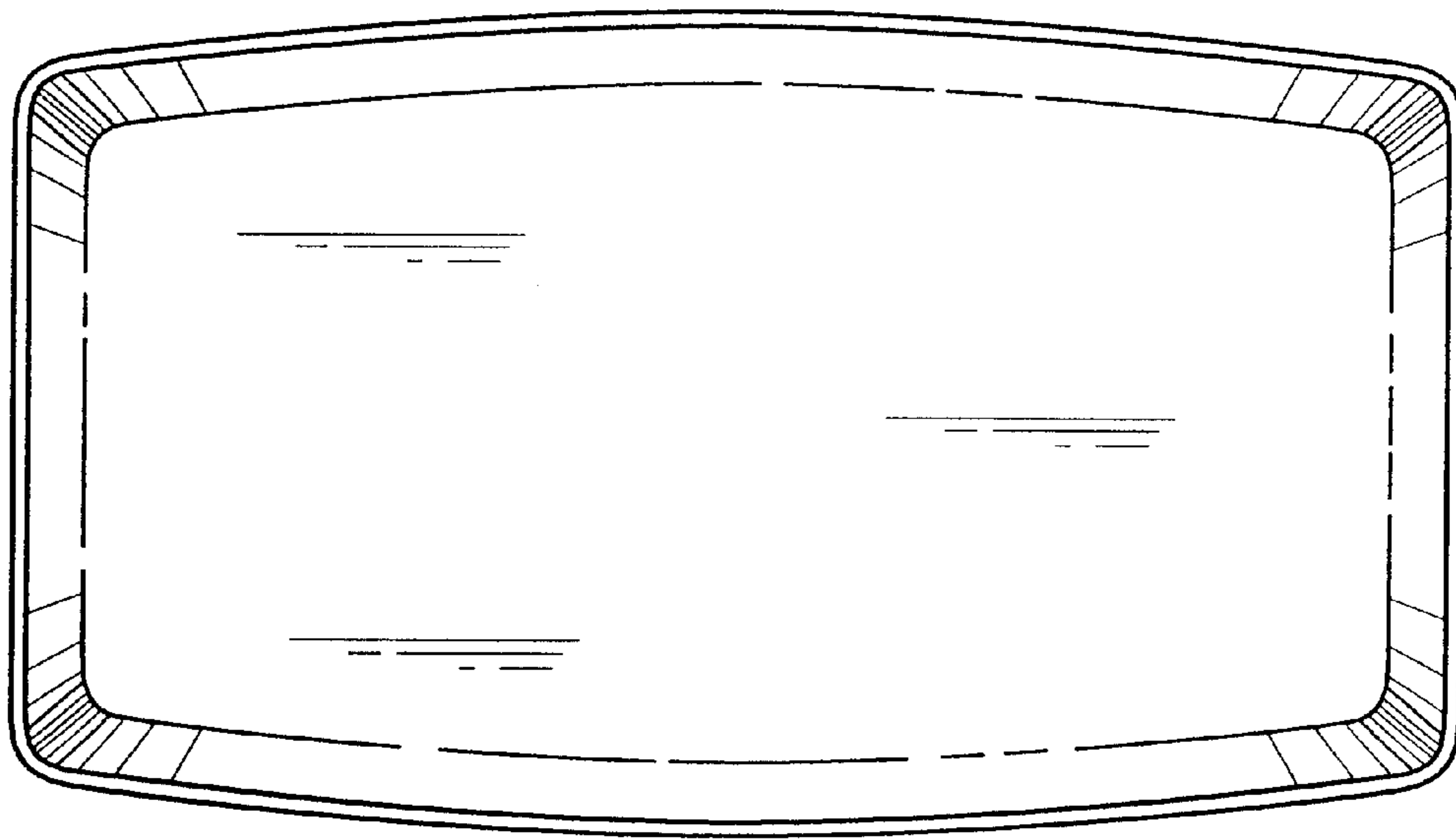
***FIG. 3***



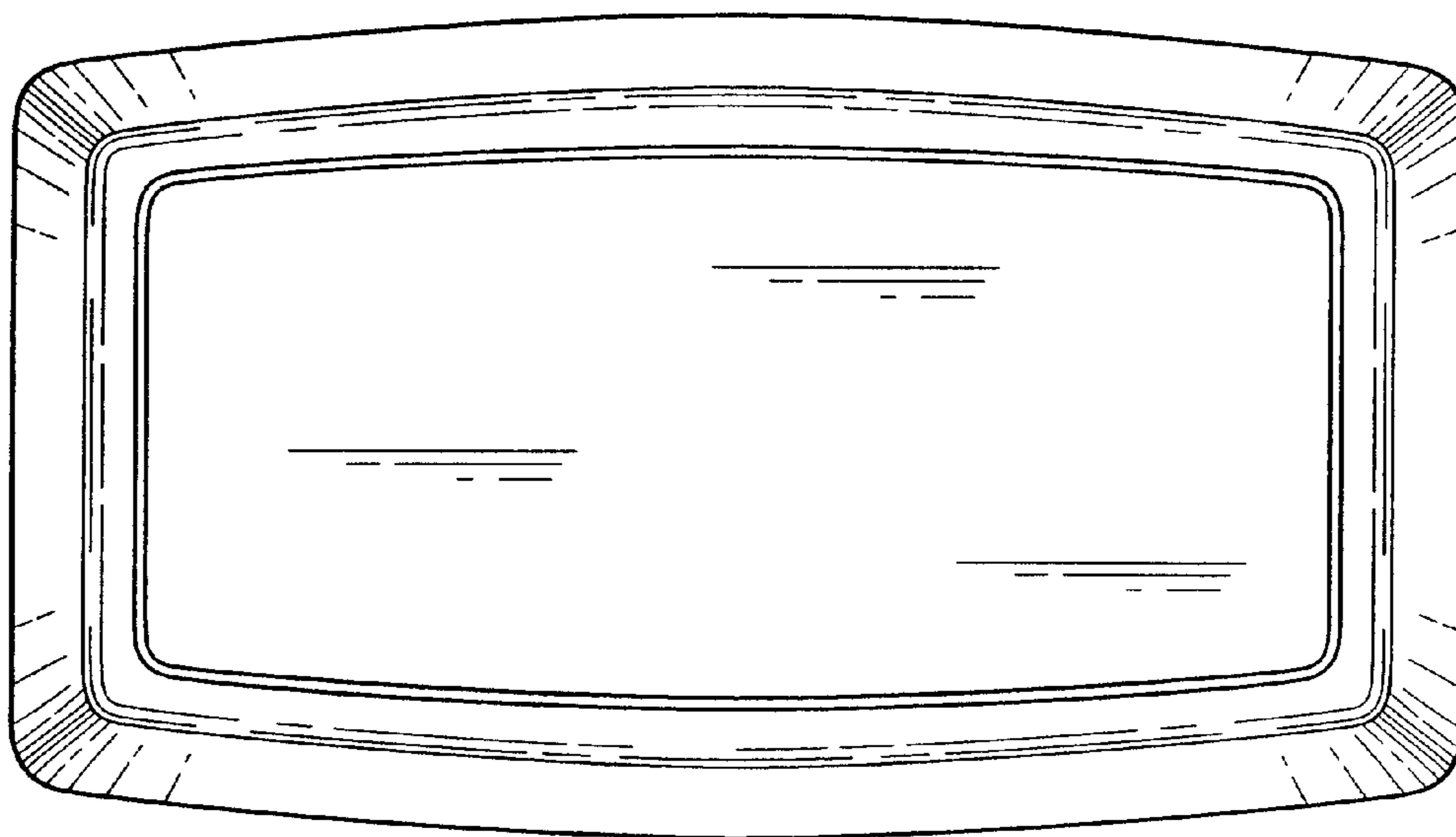
***FIG. 4***



***FIG. 5***



**FIG. 6**



**FIG. 7**