

US00D493588S1

(12) **United States Design Patent**
DeFelice

(10) **Patent No.:** **US D493,588 S**
(45) **Date of Patent:** **** Jul. 27, 2004**

(54) **DIP STICK OIL WIPER**

4,891,859 A 1/1990 Tremblay
5,231,728 A * 8/1993 Schillinger 15/220.4
5,598,602 A 2/1997 Gibson

(76) Inventor: **Thomas H. DeFelice**, 5841 Kildare Cir., NW., Canton, OH (US) 44718

FOREIGN PATENT DOCUMENTS

(**) Term: **14 Years**

FR 2391004 * 1/1979 B08B/11/00
FR 2662796 * 12/1991 G01F/23/04

(21) Appl. No.: **29/163,459**

* cited by examiner

(22) Filed: **Jul. 3, 2002**

Primary Examiner—Alan P. Douglas
Assistant Examiner—Lavone D. Tabor

(51) **LOC (7) Cl.** **07-05**

(52) **U.S. Cl.** **D32/35; D32/52**

(58) **Field of Search** **D32/35, 40, 52;**
15/209.1, 218.1, 220.3, 220.4, 244.1; D4/120

(57) **CLAIM**

The ornamental design for a dip stick oil wiper, as shown and described.

(56) **References Cited**

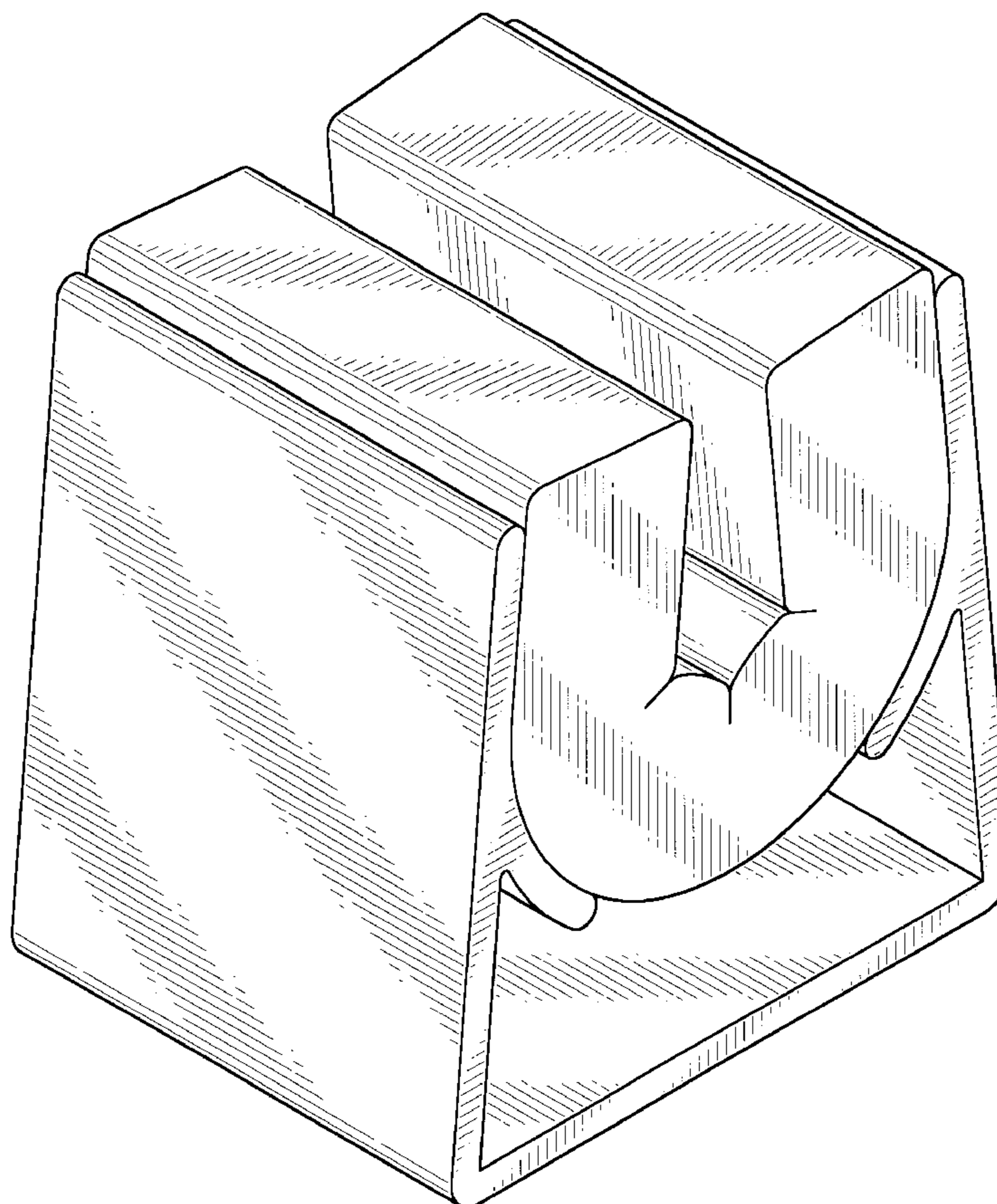
DESCRIPTION

U.S. PATENT DOCUMENTS

2,069,406 A 2/1937 Esch
2,855,682 A 10/1958 Norgard
2,968,825 A 1/1961 Wetherby
3,205,525 A 9/1965 Birtzer
4,023,231 A * 5/1977 Haber 15/220.4
4,103,388 A 8/1978 DeVitis
4,207,645 A 6/1980 Suckling
4,374,445 A 2/1983 Wilson
4,380,841 A * 4/1983 Thomas 15/220.4
4,780,925 A 11/1988 Sherman

FIG. 1 is a perspective view of a dip stick oil wiper showing my new design.
FIG. 2 is a top plan view of the dip stick oil wiper of FIG. 1.
FIG. 3 is a front elevation view of FIG. 2.
FIG. 4 is a right side elevation view of FIG. 3; the left side being a mirror image thereof; and,
FIG. 5 is a bottom plan view of FIG. 3.

1 Claim, 3 Drawing Sheets



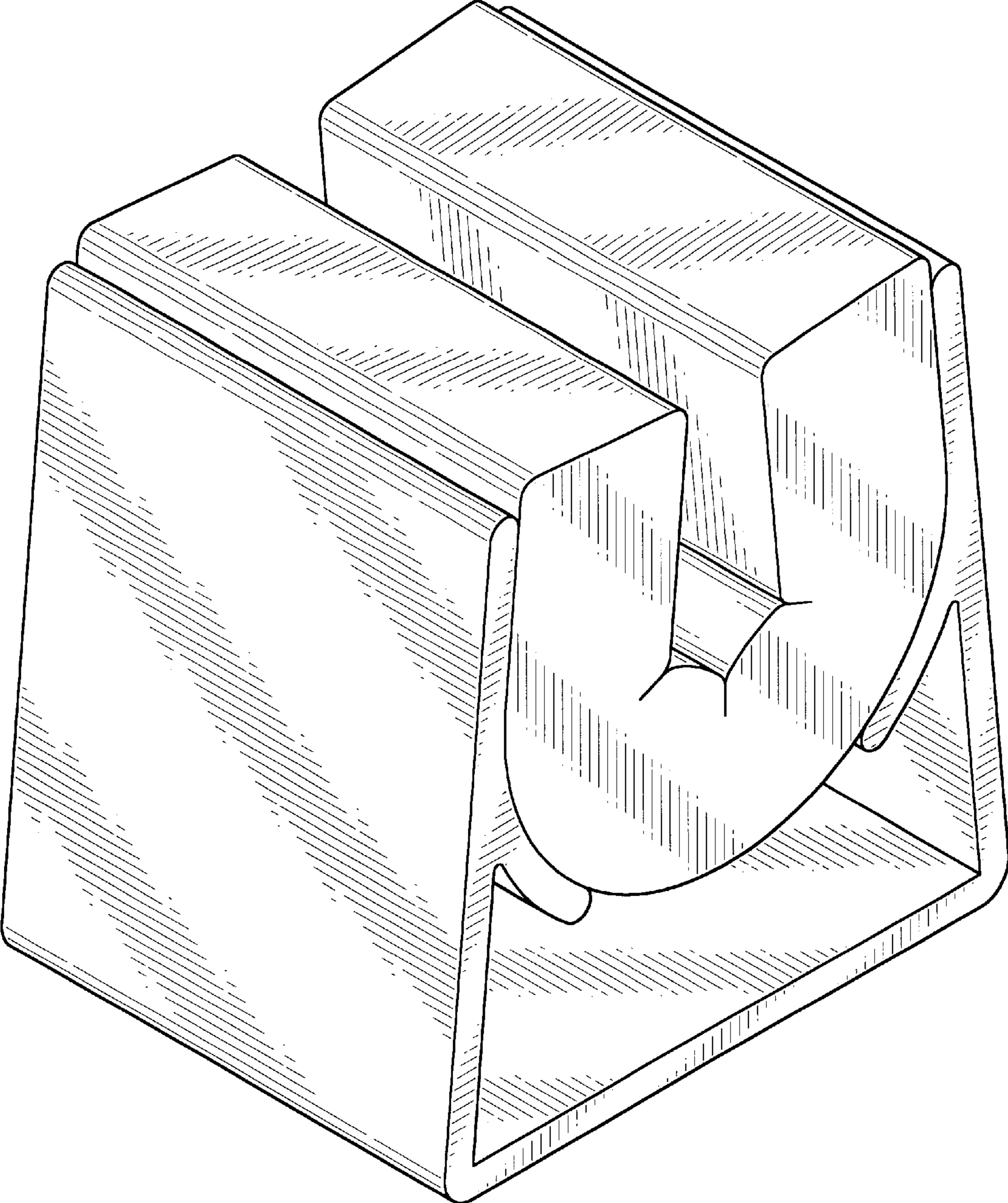


FIG-1

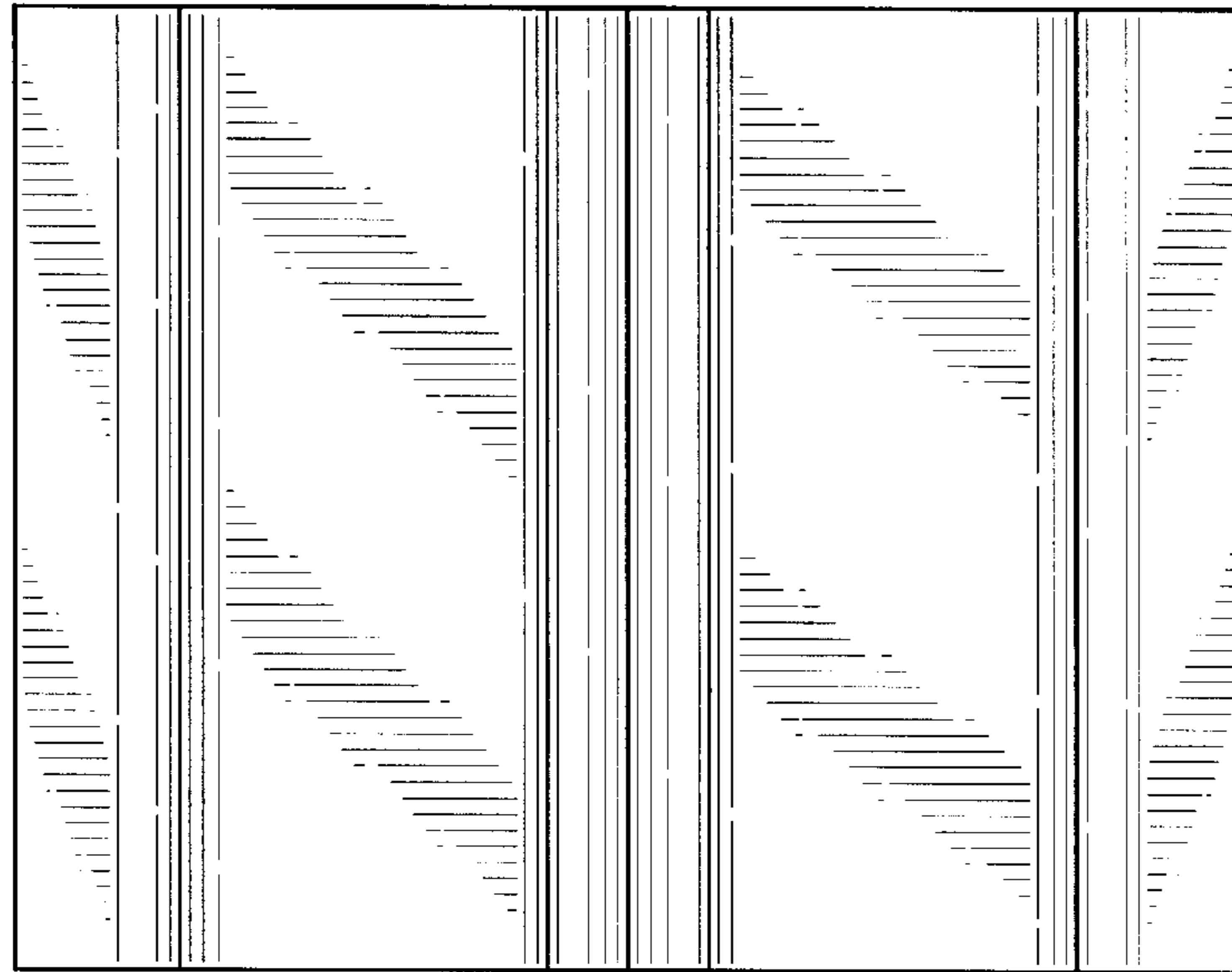


FIG-2

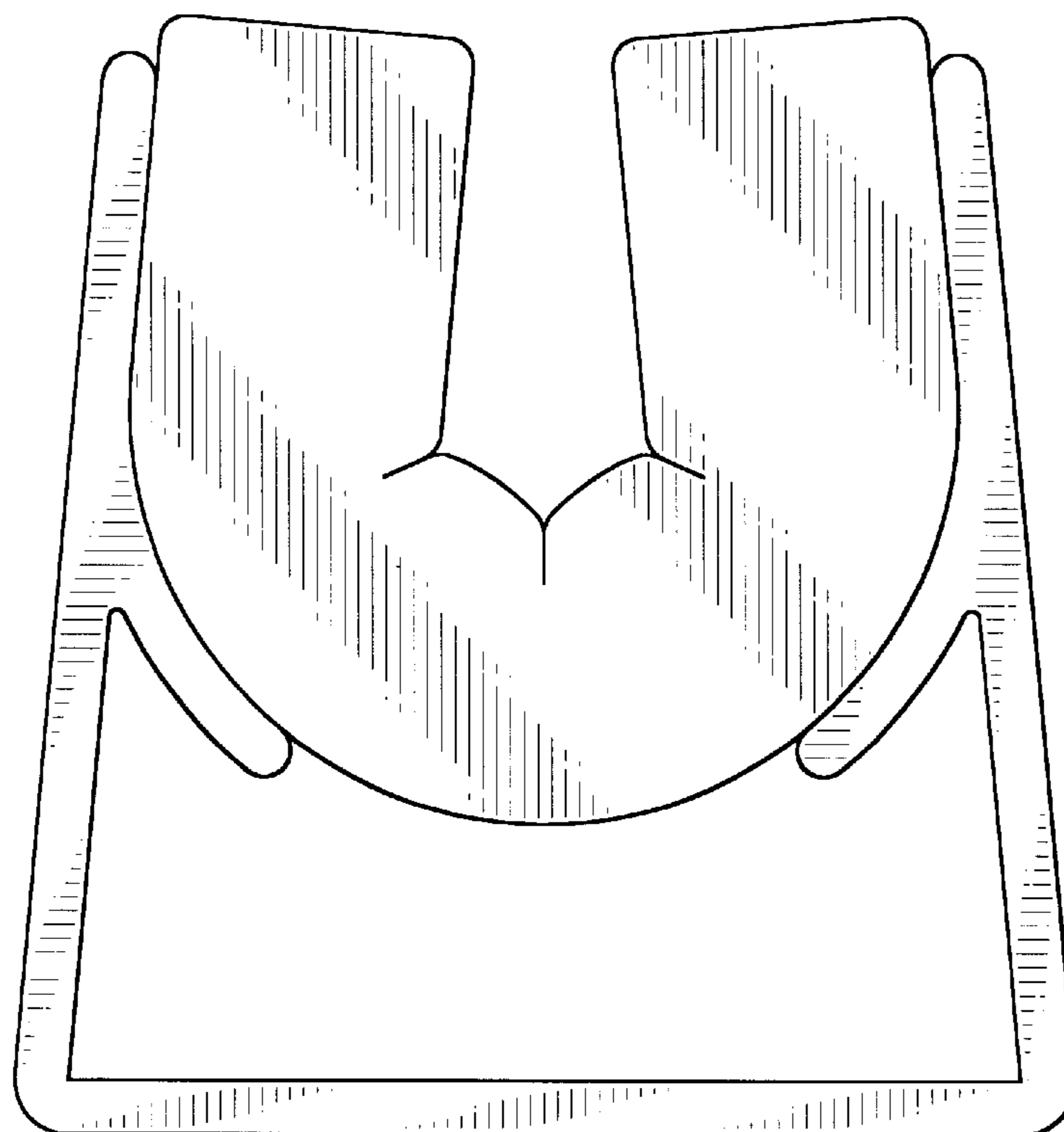


FIG-3

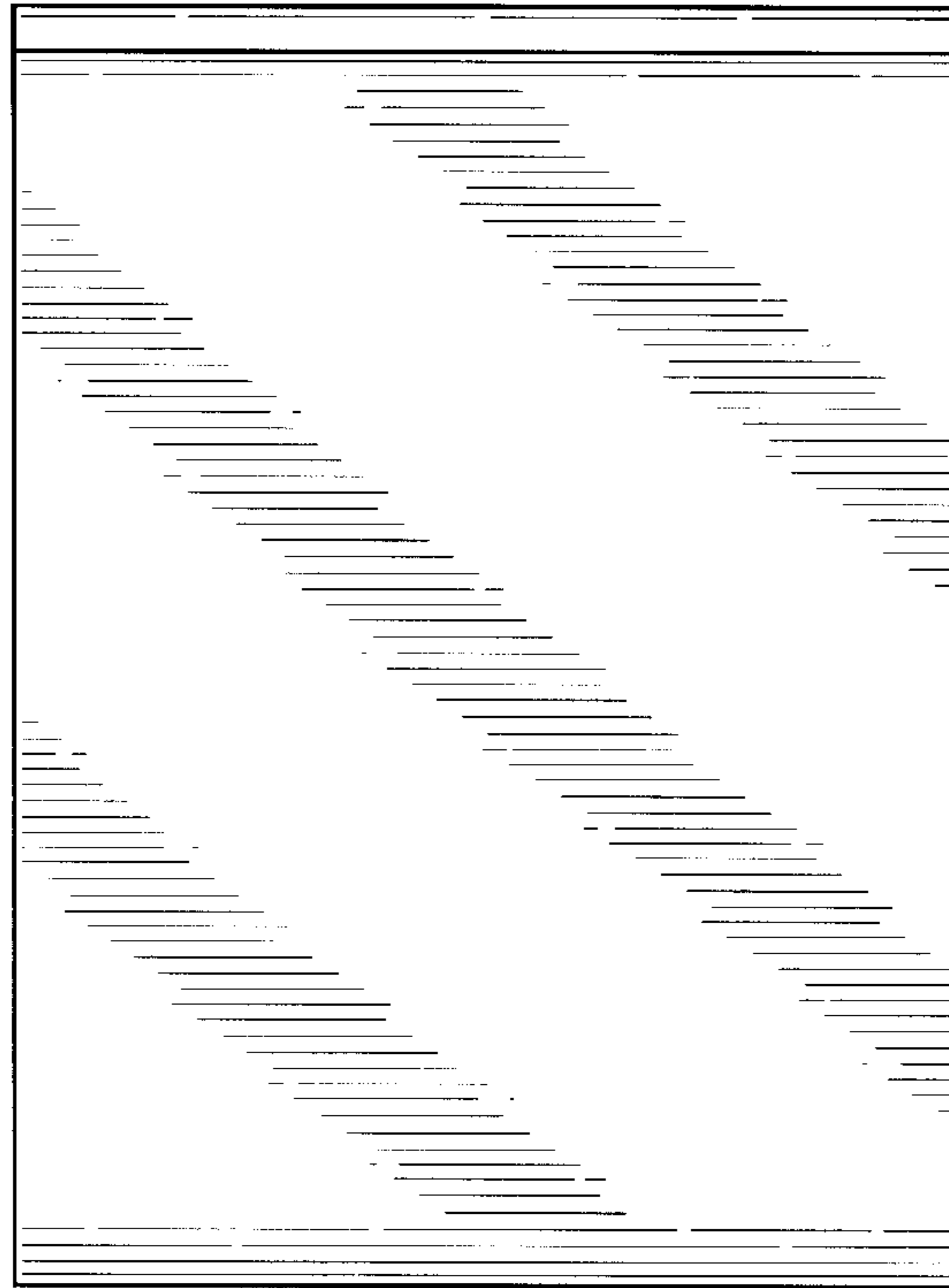


FIG-4

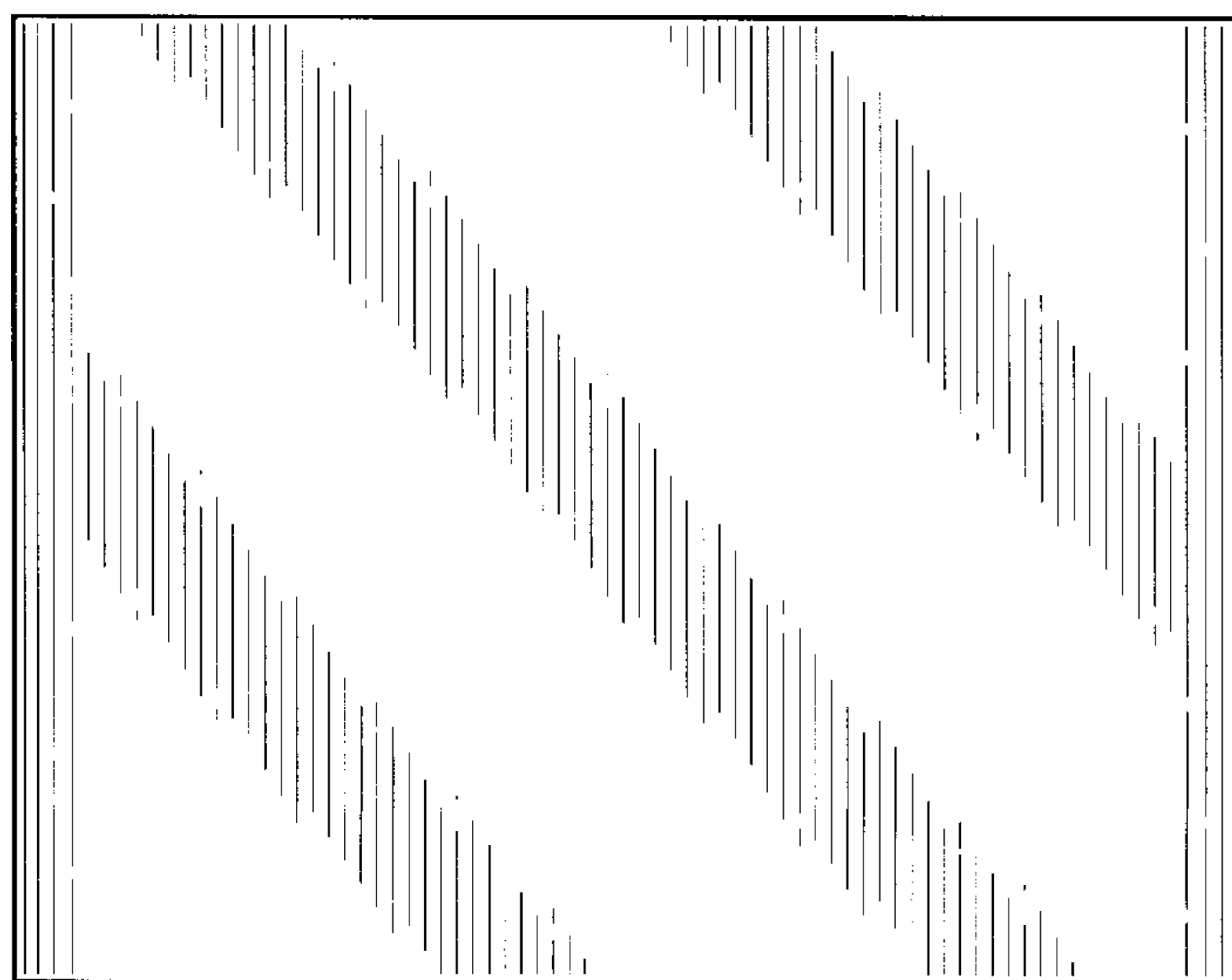


FIG-5