

US00D493585S1

(12) **United States Design Patent**
Choi

(10) **Patent No.:** **US D493,585 S**
(45) **Date of Patent:** **** Jul. 27, 2004**

(54) **VACUUM CLEANER**

(75) **Inventor:** **Kyu Kwan Choi**, Anyang-shi (KR)

(73) **Assignee:** **LG Electronics, Inc.**, Seoul (KR)

(**) **Term:** **14 Years**

(21) **Appl. No.:** **29/183,286**

(22) **Filed:** **Jun. 11, 2003**

(30) **Foreign Application Priority Data**

Dec. 31, 2002 (KR) 30-2002-0037671

(51) **LOC (7) Cl.** **15-05**

(52) **U.S. Cl.** **D32/21**

(58) **Field of Search** D32/21, 23-24,
D32/31; 15/327.1, 327.2, 327.3, 327.4,
327.6, 327.7, 320-321, 347, 353

(56) **References Cited**

U.S. PATENT DOCUMENTS

D315,431 S * 3/1991 Ikeda et al. D32/21
D325,273 S * 4/1992 Ikeda et al. D32/21
D373,665 S * 9/1996 Nakamura et al. D32/21
D391,700 S * 3/1998 Hughes D32/21

D394,527 S * 5/1998 Pochopien et al. D32/21
D394,528 S * 5/1998 Pochopien et al. D32/21
D417,323 S * 11/1999 Fujita et al. D32/21
D430,711 S * 9/2000 Piret D32/21
D485,653 S * 1/2004 Warburton D32/21

* cited by examiner

Primary Examiner—Ruth McInroy

(74) *Attorney, Agent, or Firm*—Birch, Stewart, Kolasch & Birch, LLP

(57) **CLAIM**

I claim the ornamental design for a vacuum cleaner, as shown and described.

DESCRIPTION

FIG. 1 is a perspective view of vacuum cleaner showing the new design;
FIG. 2 is a front view thereof;
FIG. 3 is a rear view thereof;
FIG. 4 is a left-side view thereof;
FIG. 5 is a right-side view thereof;
FIG. 6 is a top plan view thereof; and,
FIG. 7 is a bottom plan view thereof.

1 Claim, 5 Drawing Sheets

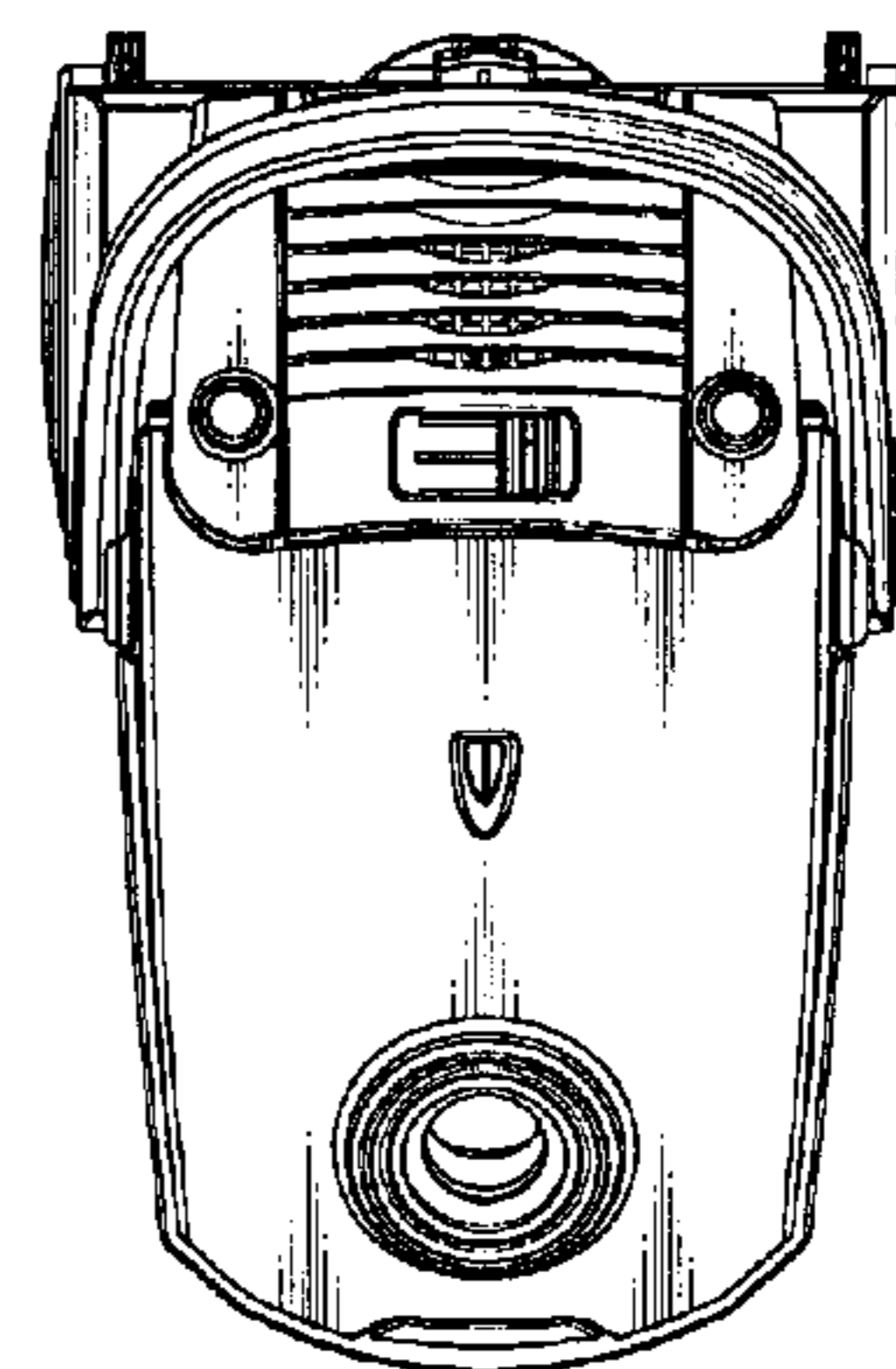
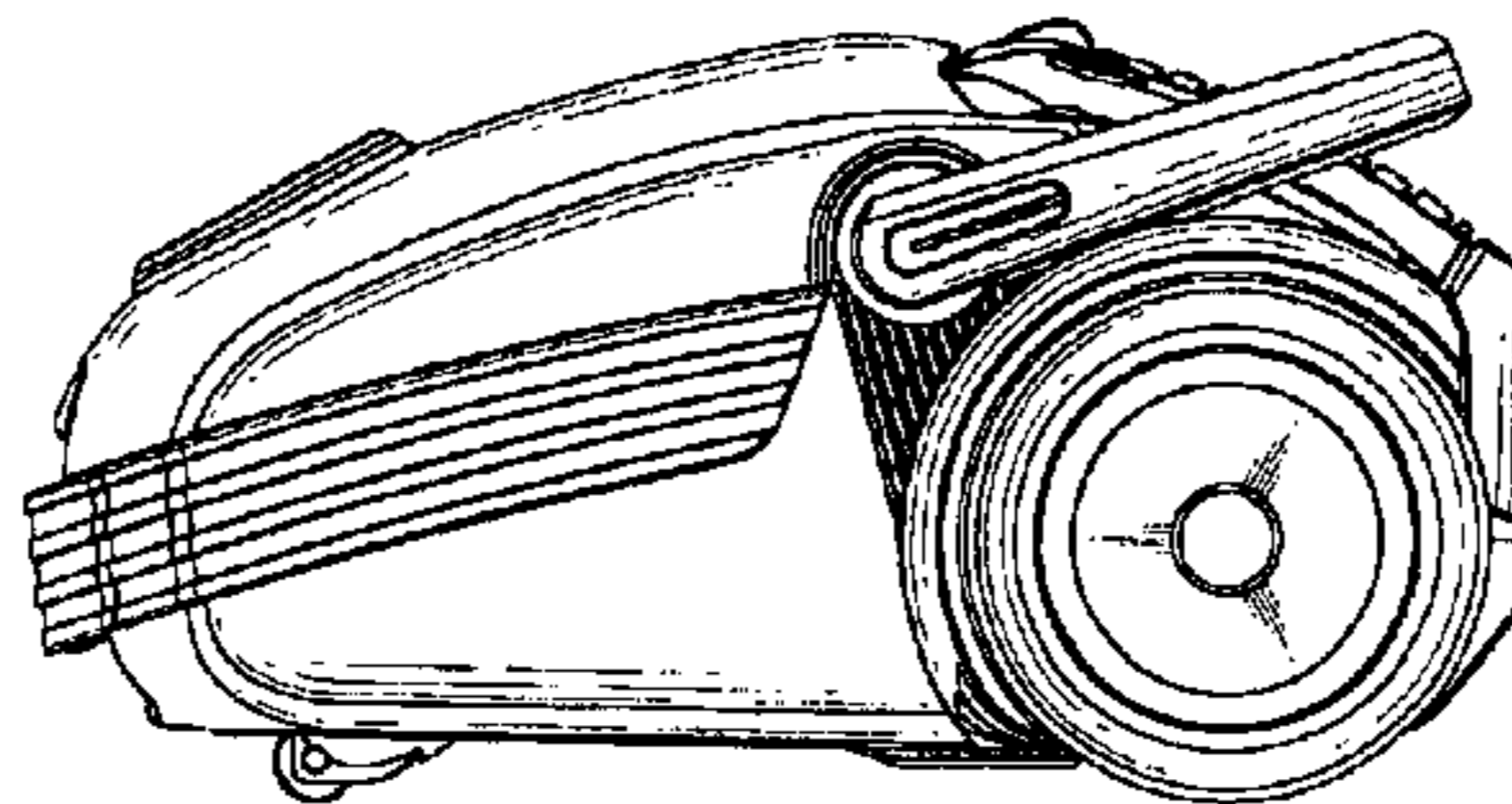
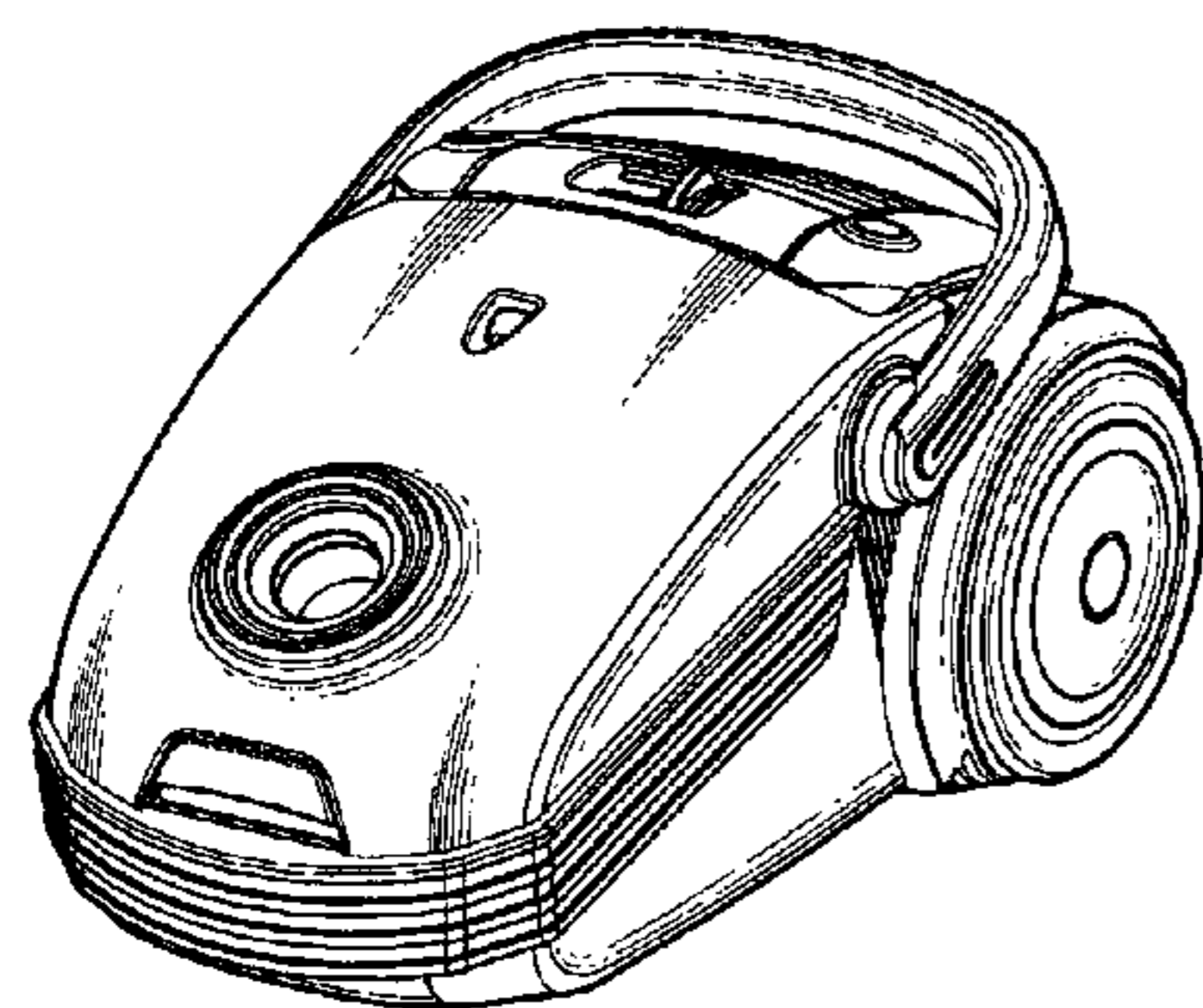


FIG. 1

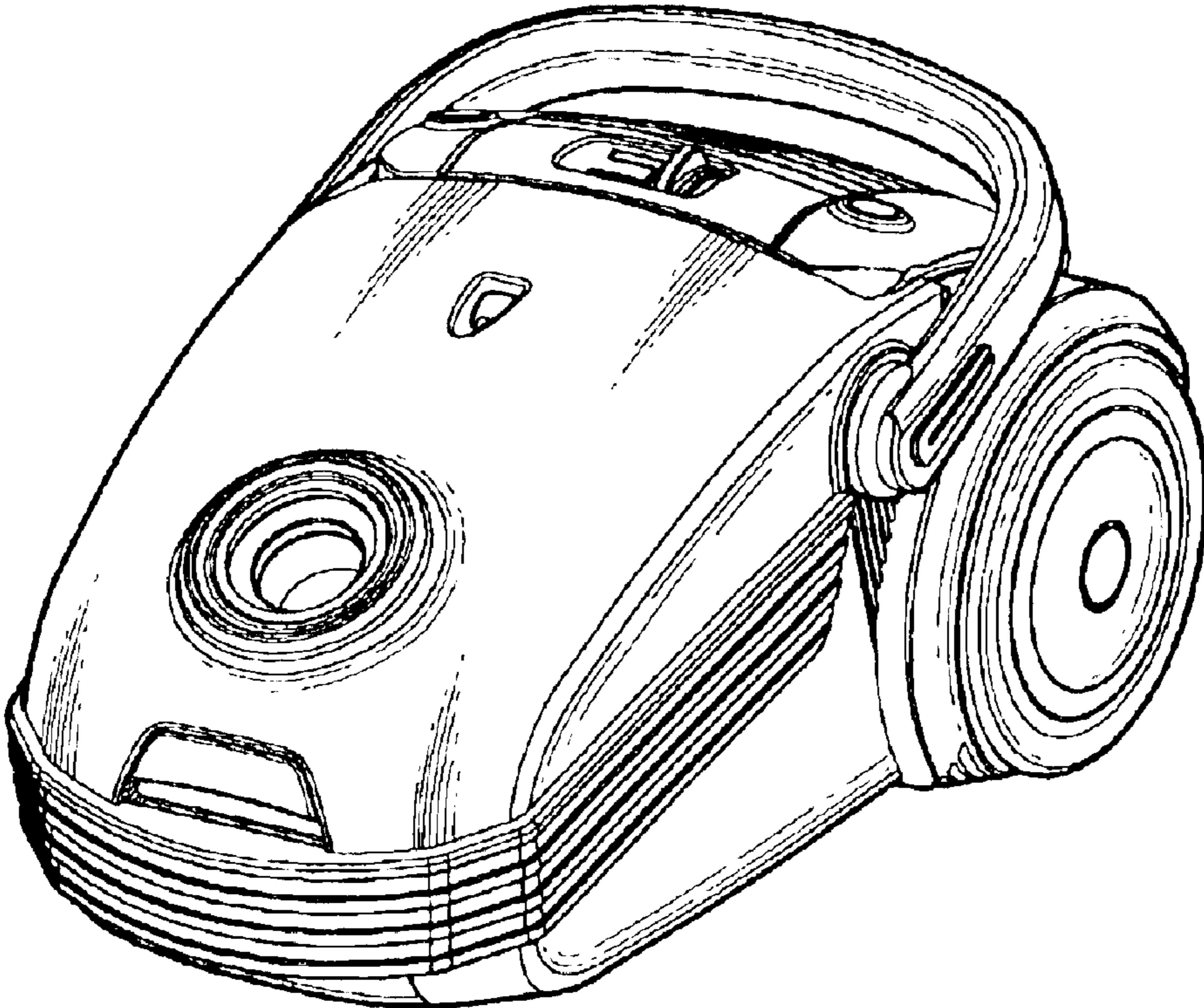


FIG. 2

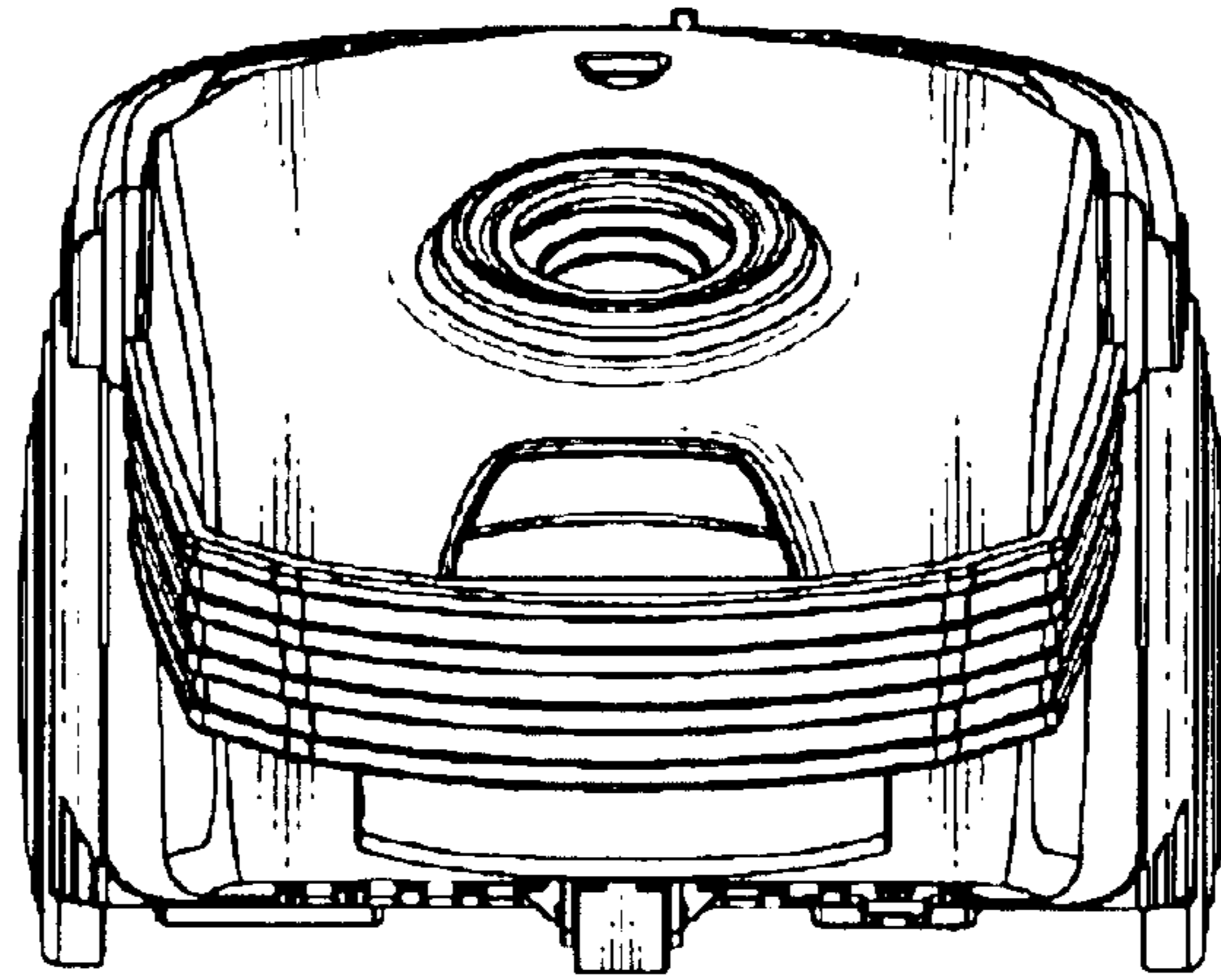


FIG. 3

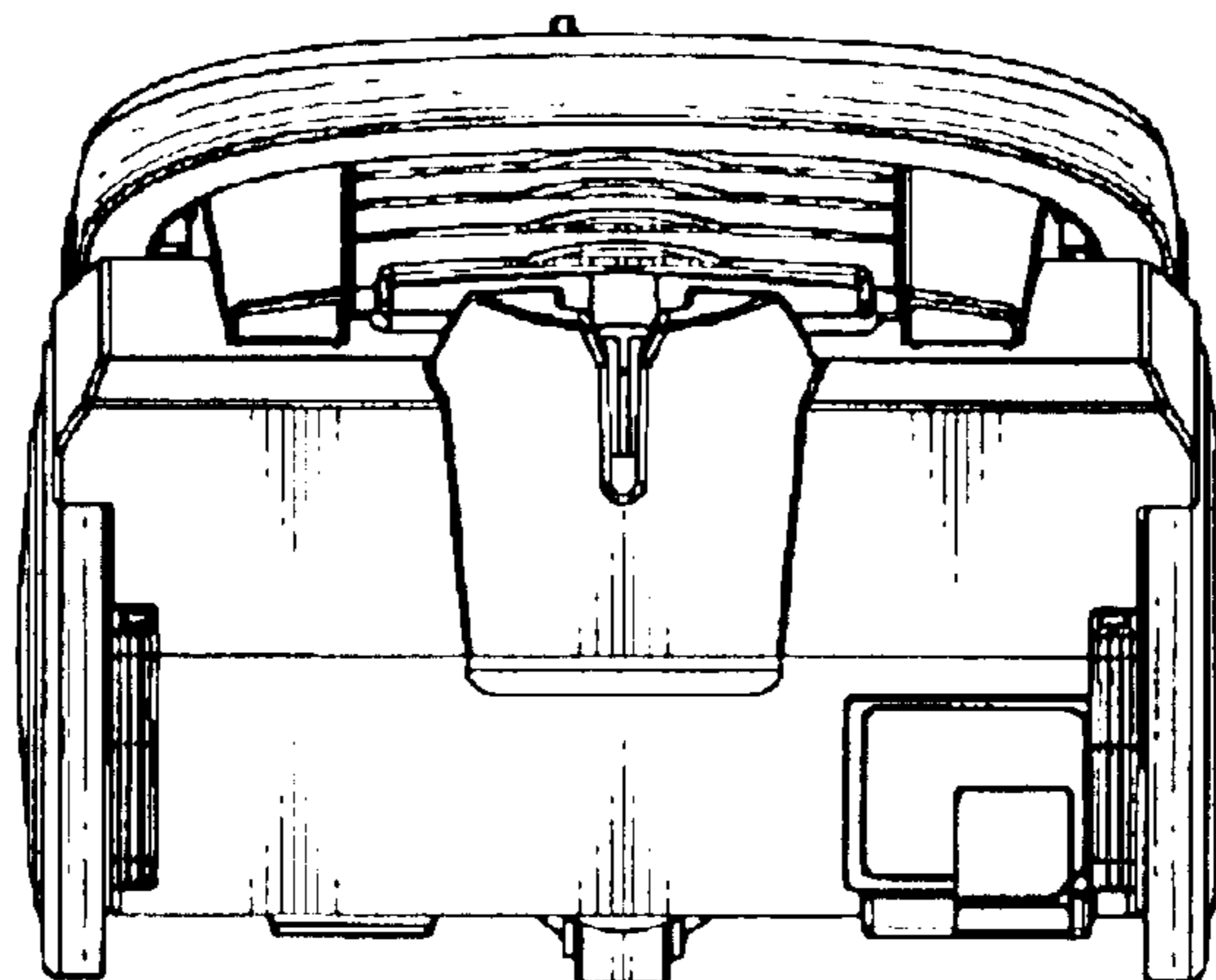


FIG. 4

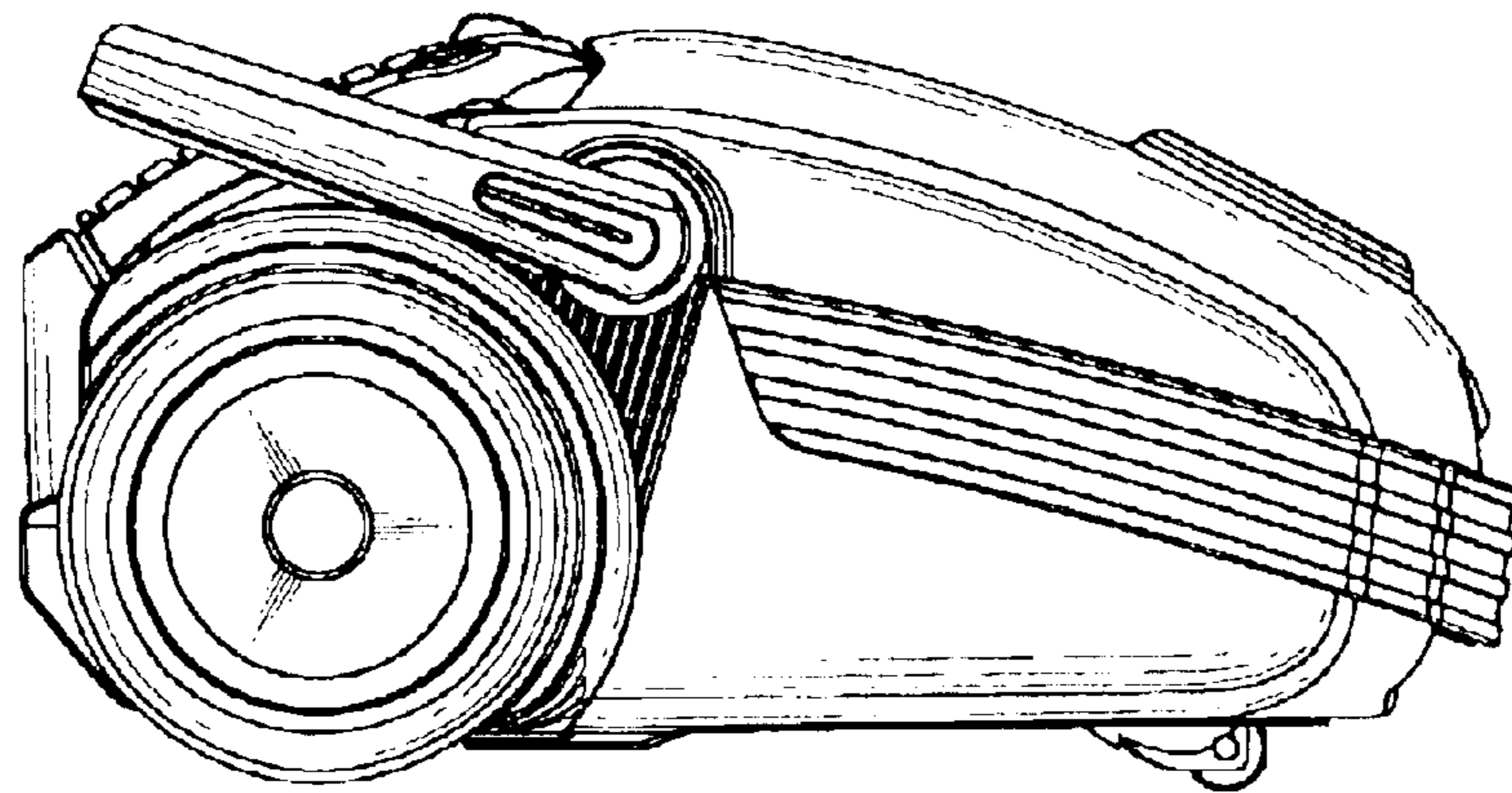


FIG. 5

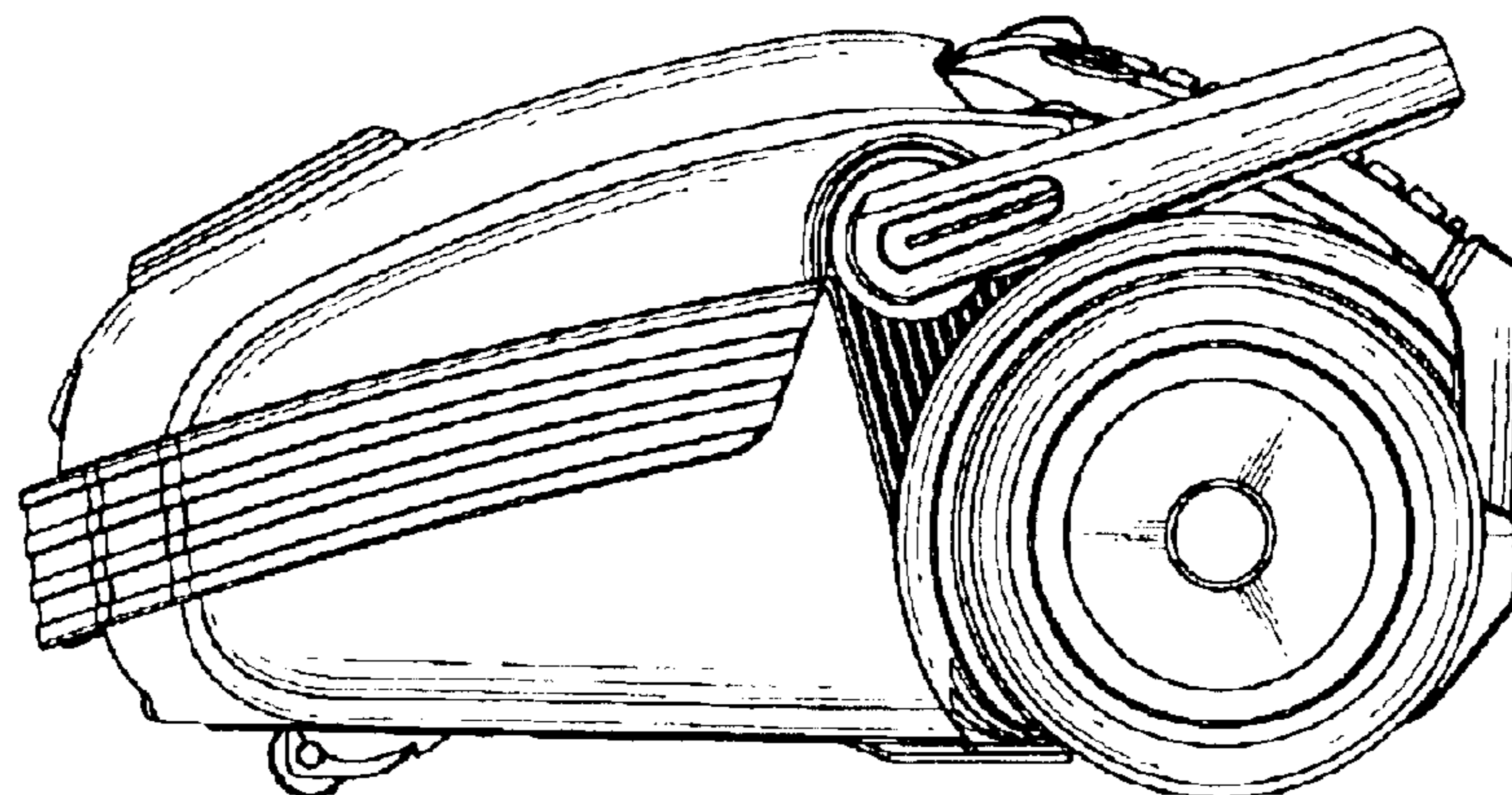


FIG. 6

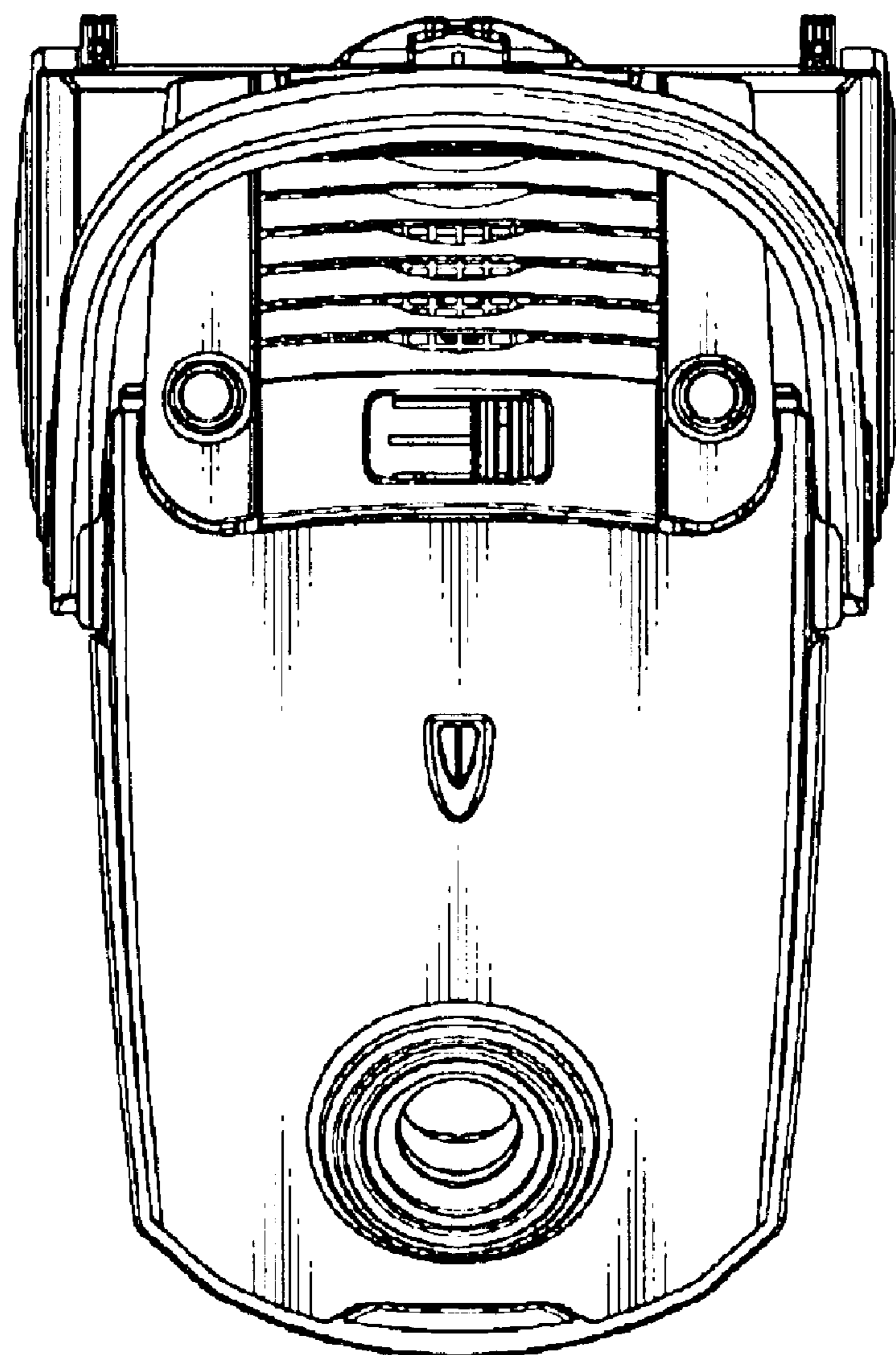


FIG. 7

