

US00D493583S1

(12) **United States Design Patent**
Kaczmarek

(10) **Patent No.:** **US D493,583 S**
(45) **Date of Patent:** **** Jul. 27, 2004**

(54) **DISHWASHER**

(75) **Inventor:** **Wolfgang Kaczmarek**, Schwindegg (DE)

(73) **Assignee:** **BSH Bosch und Siemens Hausgerate GmbH**, Munich (DE)

(**) **Term:** **14 Years**

(21) **Appl. No.:** **29/182,954**

(22) **Filed:** **Jun. 4, 2003**

(30) **Foreign Application Priority Data**

Dec. 4, 2002 (DE) 4 02 10 179

(51) **LOC (7) Cl.** **15-05**

(52) **U.S. Cl.** **D32/3**

(58) **Field of Search** D32/1-3, 5-6, D32/8, 25, 28; D7/340, 405, 348-351; 68/212; 312/31, 228, 228.1, 204; 134/113, 201, 57 D, 57 DL, 56 D, 58 D, 58 DL

(56) **References Cited**

U.S. PATENT DOCUMENTS

- 5,151,884 A * 9/1992 Griffith et al. 134/57 D
- 5,365,959 A * 11/1994 Favaro 312/228
- 5,404,895 A * 4/1995 Yamauchi et al. 134/201
- 6,622,740 B1 * 9/2003 Durazzani 134/201

* cited by examiner

Primary Examiner—Louis S. Zarfes

Assistant Examiner—Robert A Delehanty

(74) *Attorney, Agent, or Firm*—Laurence A. Greenberg; Werner H. Stemer; Gregory L. Mayback

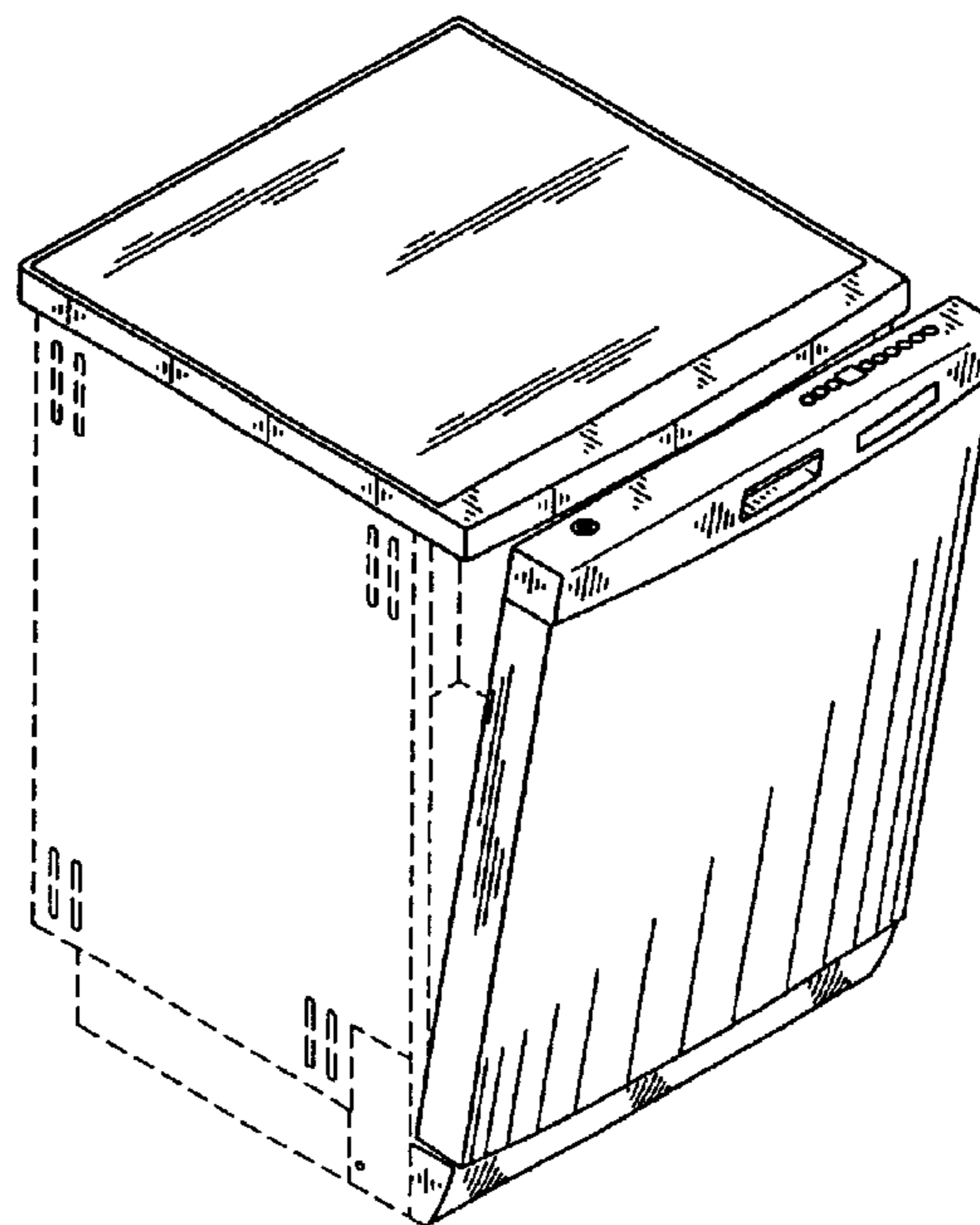
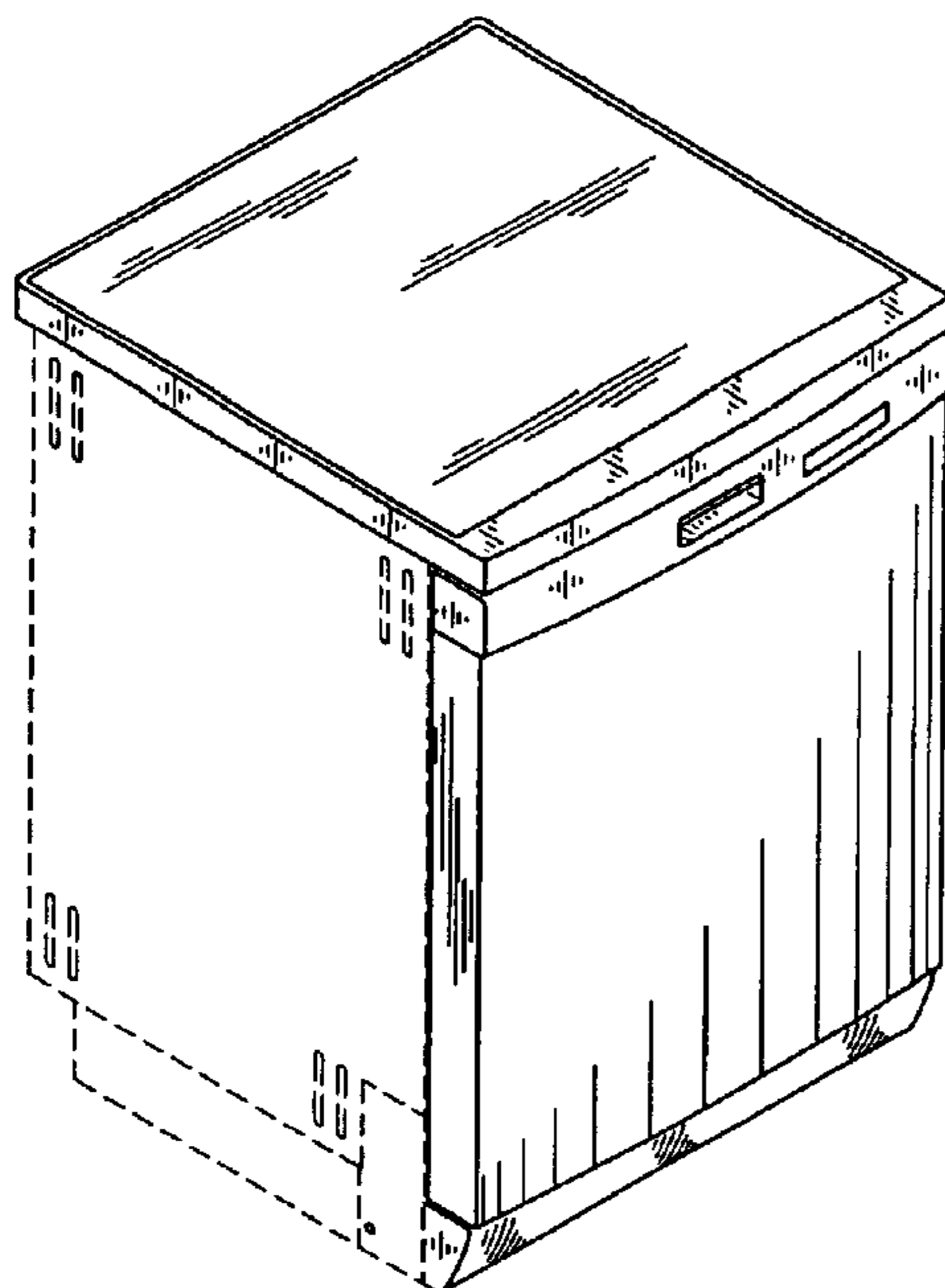
(57) **CLAIM**

The ornamental design for a dishwasher, as shown and described.

DESCRIPTION

FIG. 1 is a front perspective view of the dishwasher; FIG. 2 is a left side view thereof, the right side view being a mirror image; FIG. 3 is a front side view thereof; FIG. 4 is a top side view thereof; FIG. 5 is a front perspective view thereof, with the door partially open; FIG. 6 is a left side view thereof with the door partially open, the right side view being a mirror image; and, FIG. 7 is a top side view thereof with the door partially open. The dishwasher includes a plain and unornamented rear and bottom, which are not shown. The broken line showing of portions of the dishwasher is for illustrative purposes only and forms no part of the claimed design.

1 Claim, 3 Drawing Sheets



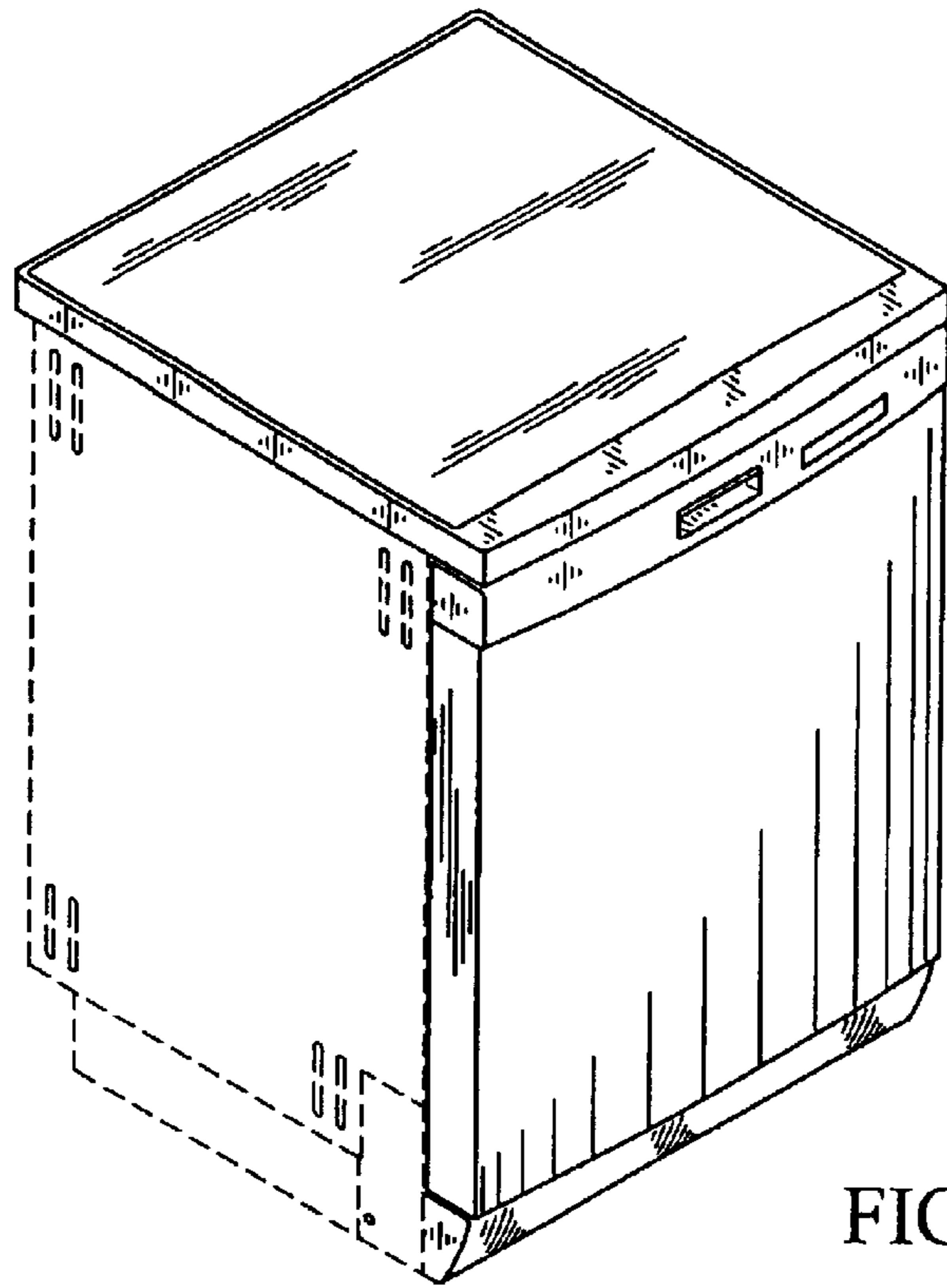


FIG. 1

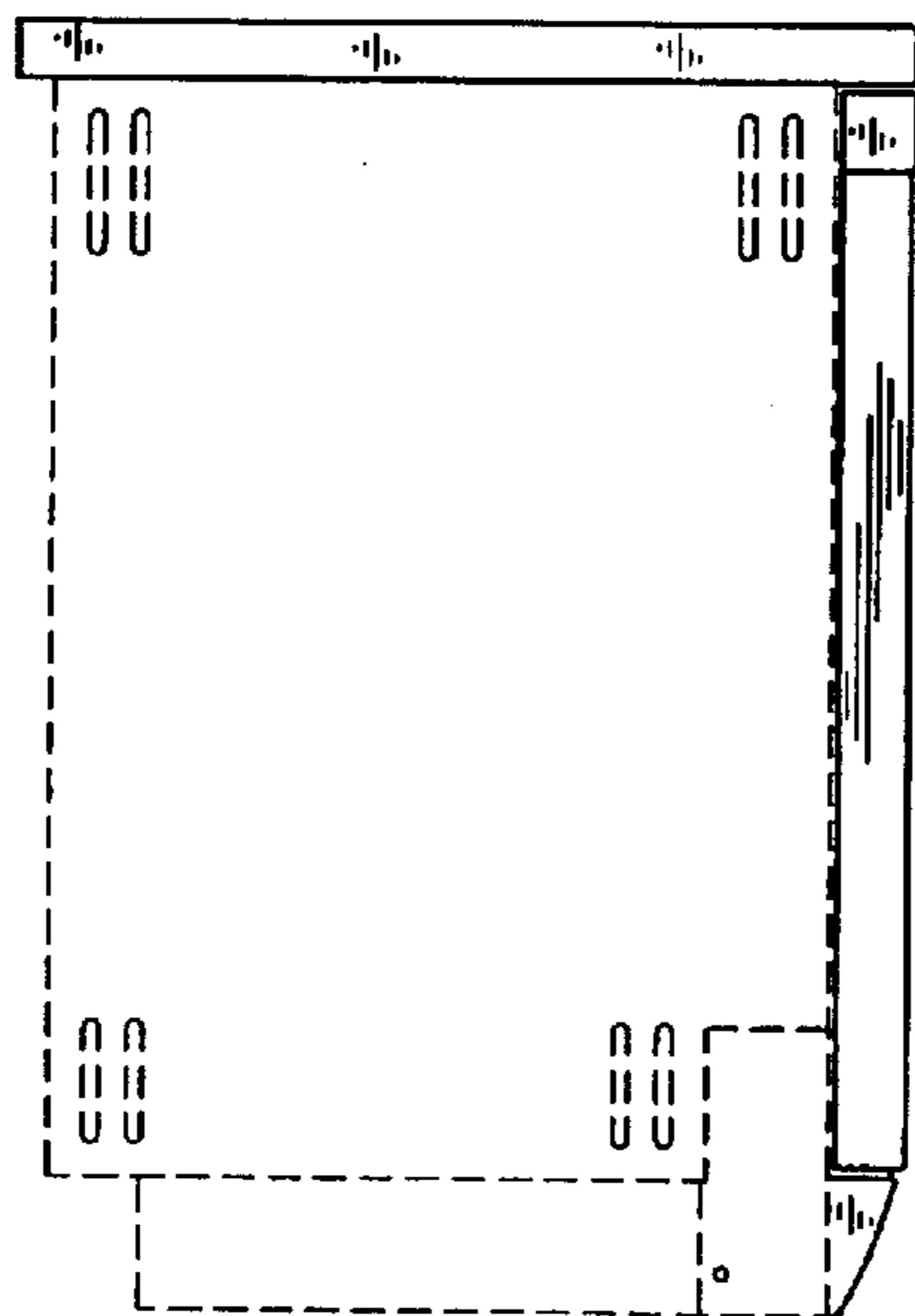


FIG. 2

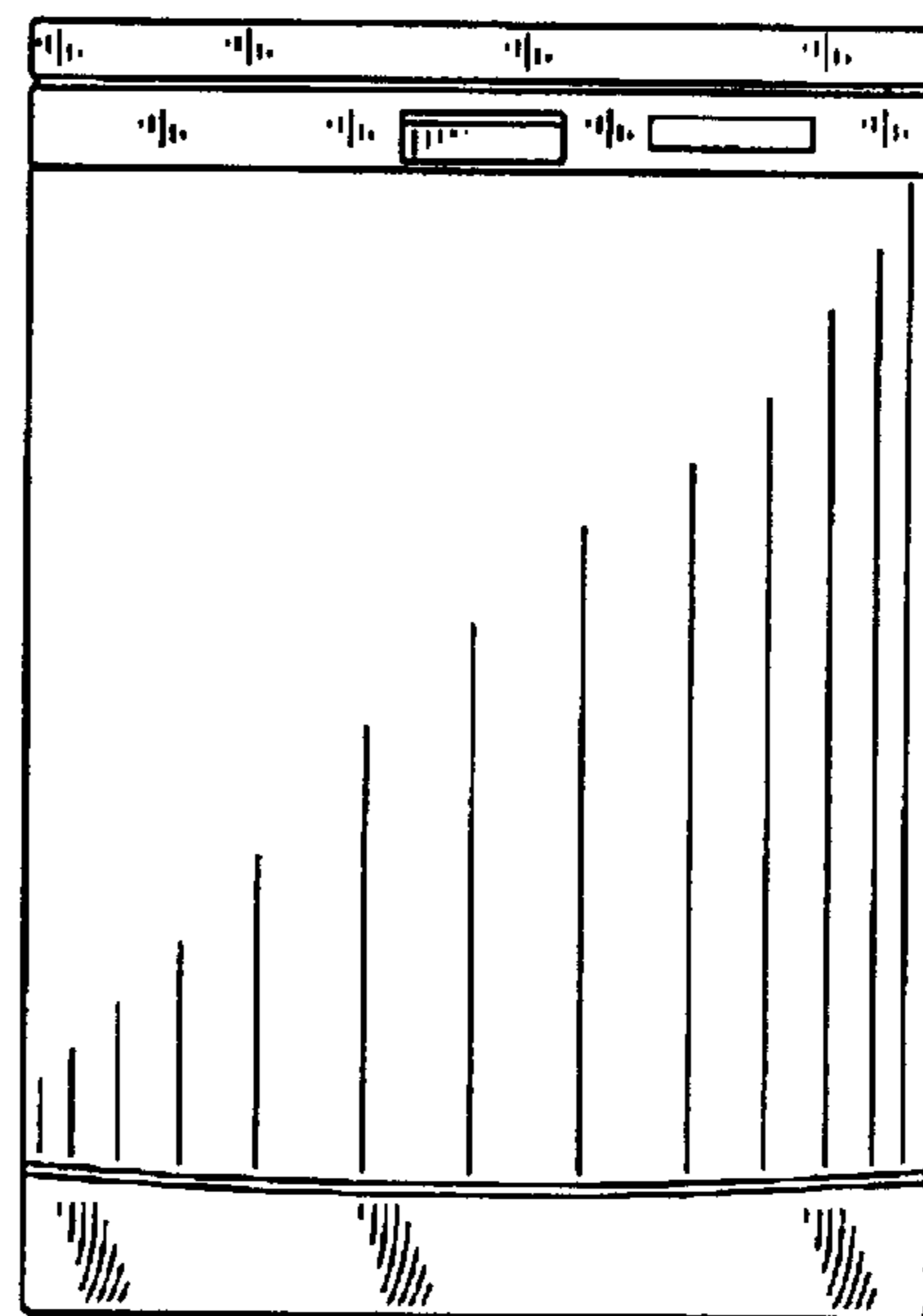


FIG. 3

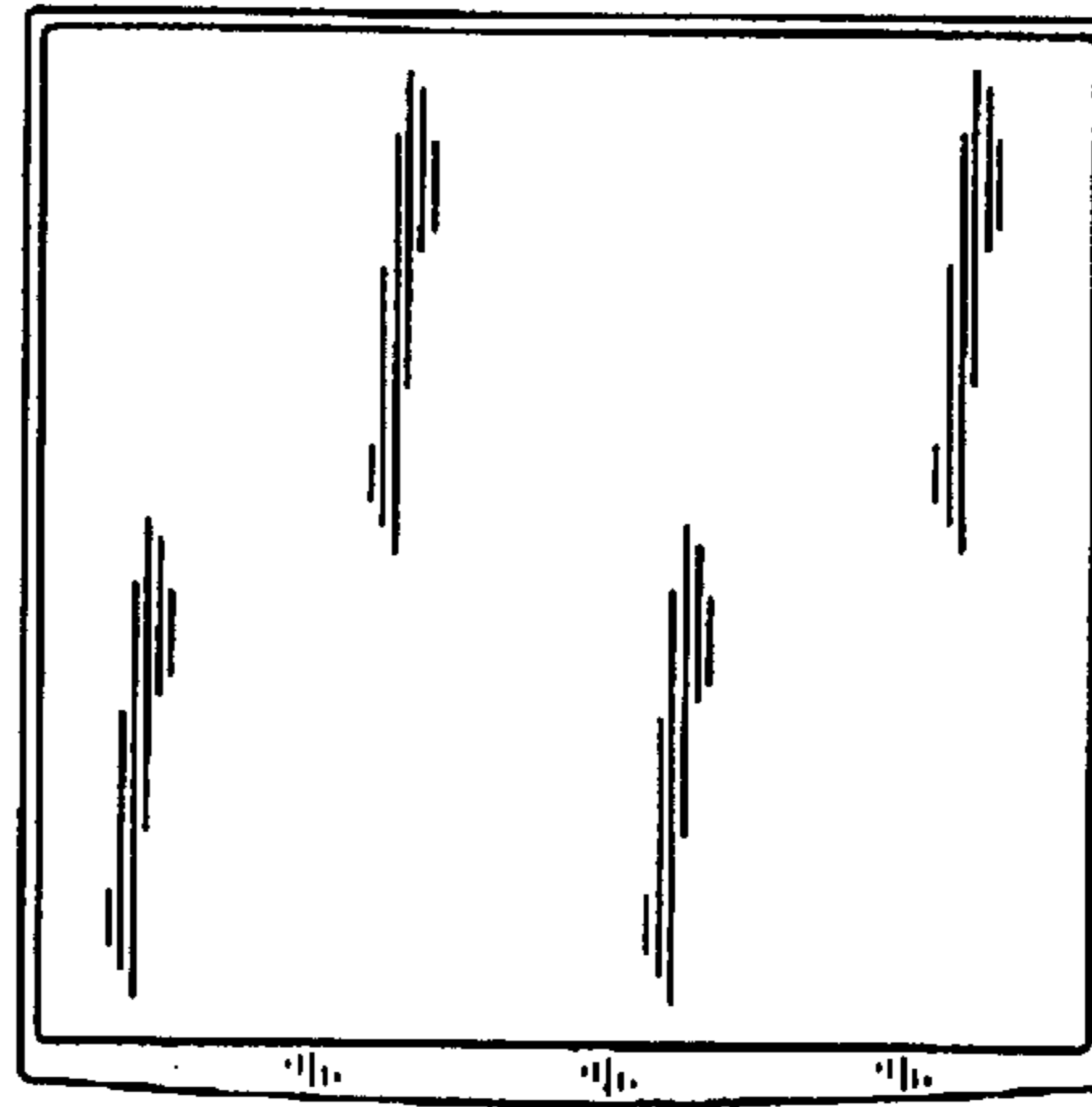


FIG. 4

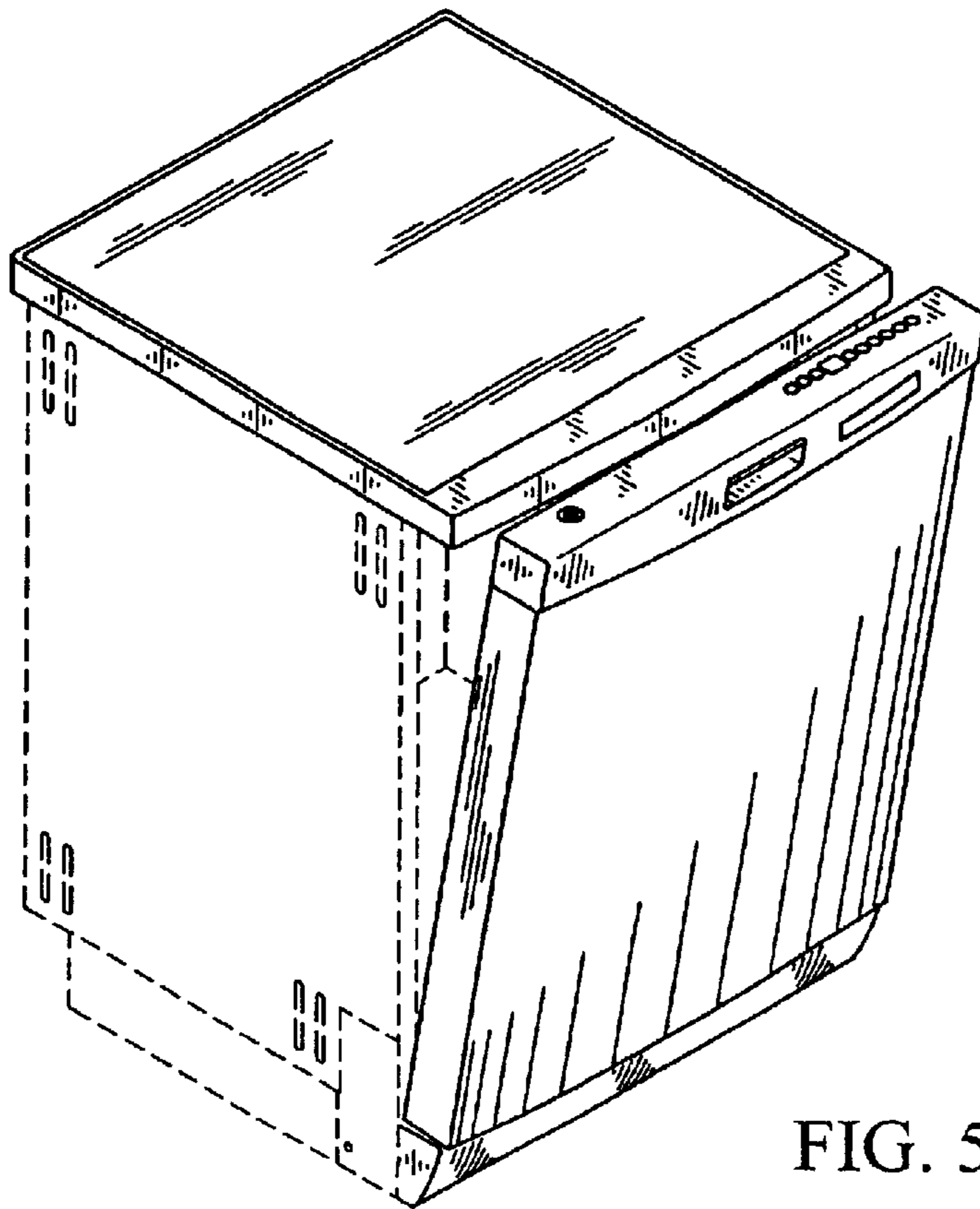


FIG. 5

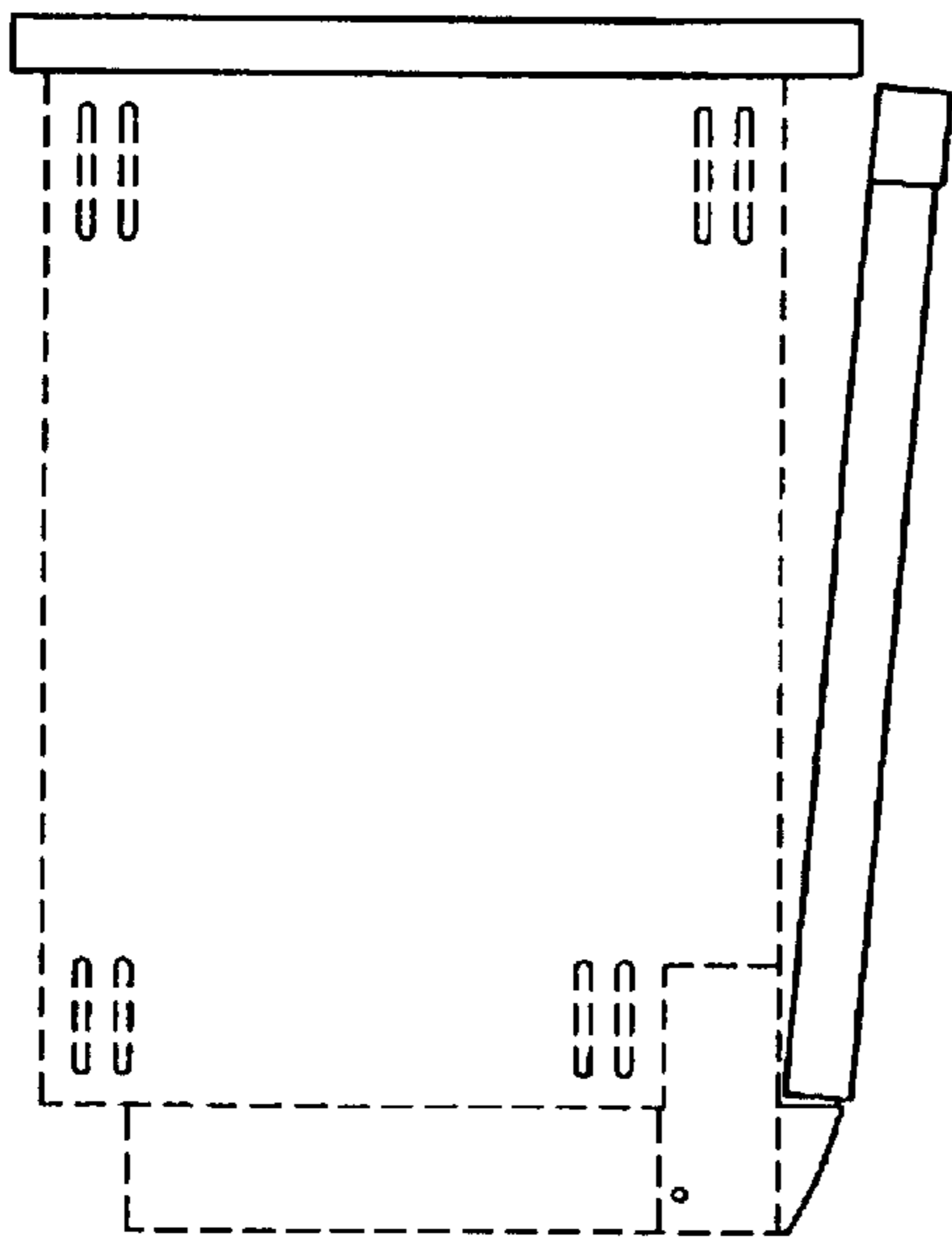


FIG. 6

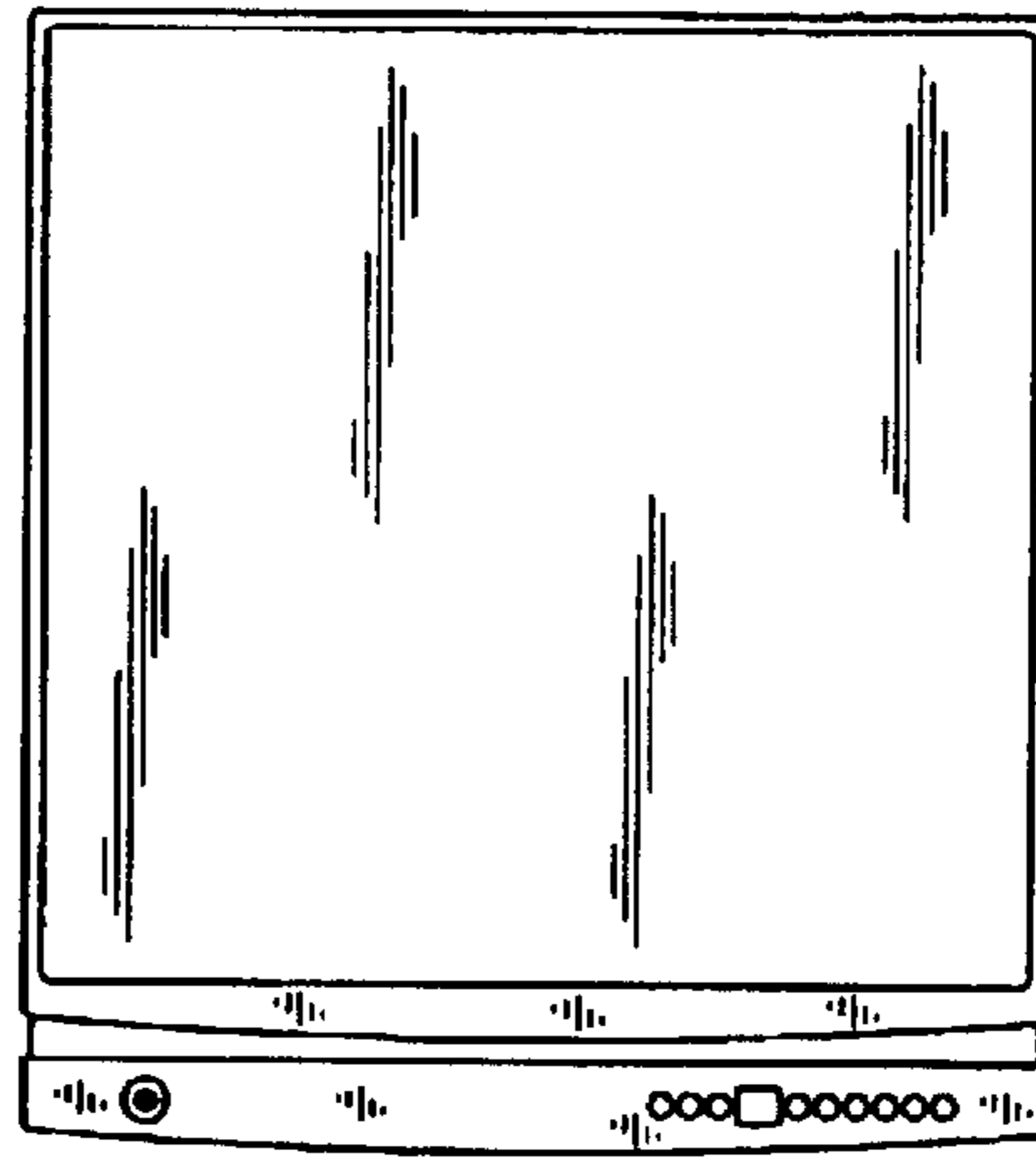


FIG. 7