

US00D493581S1

(12) **United States Design Patent**
Ott et al.

(10) **Patent No.:** **US D493,581 S**
(45) **Date of Patent:** **** Jul. 27, 2004**

(54) **DISHWASHER**

(75) Inventors: **Thomas Ott**, Gundelfingen (DE);
Roland Vetter, Giengen-Sachsenhausen (DE)

(73) Assignee: **BSH Bosch und Siemens Hausgerate GmbH**, Munich (DE)

(**) Term: **14 Years**

(21) Appl. No.: **29/182,517**

(22) Filed: **May 28, 2003**

(30) **Foreign Application Priority Data**

Nov. 28, 2002 (DE) 402 09 974

(51) **LOC (7) Cl.** **15-05**

(52) **U.S. Cl.** **D32/3**

(58) **Field of Search** D32/1-3, 5-6,
D32/8, 25, 28; D7/340, 405, 348-351;
68/212; 312/31, 228, 228.1, 204; 134/113,
201, 57 D, 57 DL, 56 D, 58 D, 58 DL

(56) **References Cited**

U.S. PATENT DOCUMENTS

D320,489 S * 10/1991 Marks et al. D32/3

D377,853 S * 2/1997 Sparks D32/3
5,908,227 A * 6/1999 Wilhelmstatter et al. ... 312/204
6,622,740 B1 * 9/2003 Durazzani 134/201

* cited by examiner

Primary Examiner—Louis S. Zarfaz

Assistant Examiner—Robert A Delehanty

(74) *Attorney, Agent, or Firm*—Laurence A. Greenberg;
Werner H. Stemer; Gregory L. Mayback

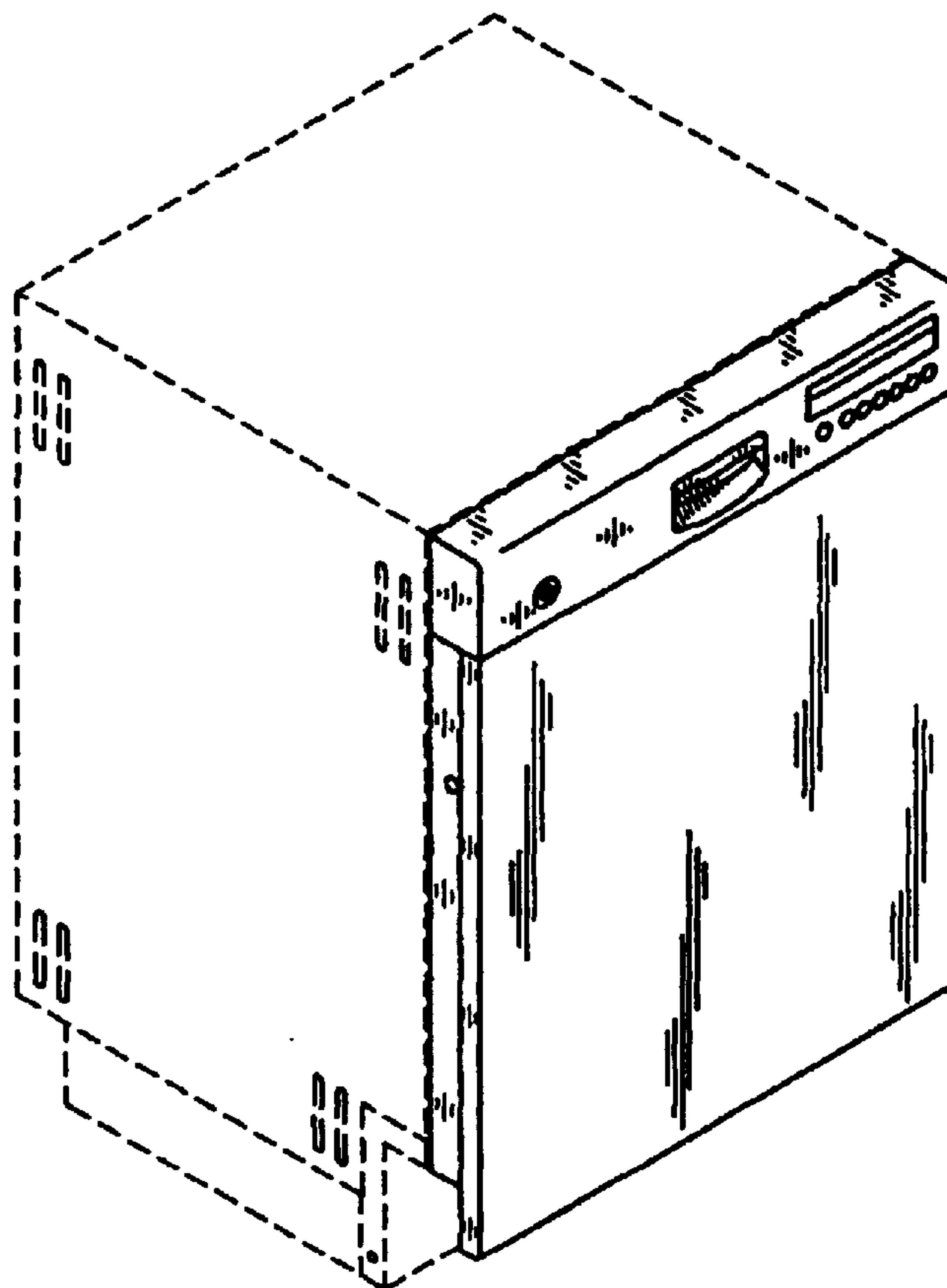
(57) **CLAIM**

The ornamental design for a dishwasher, as shown and described.

DESCRIPTION

FIG. 1 is a front perspective view of the dishwasher;
FIG. 2 is a left side view thereof, the right side view being a mirror image;
FIG. 3 is a front side view thereof; and,
FIG. 4 is a top side view thereof.
The dishwasher includes a plain and unornamented rear and bottom, which are not shown.
The broken line showing of portions of the dishwasher is for illustrative purposes only and forms no part of the claimed design.

1 Claim, 2 Drawing Sheets



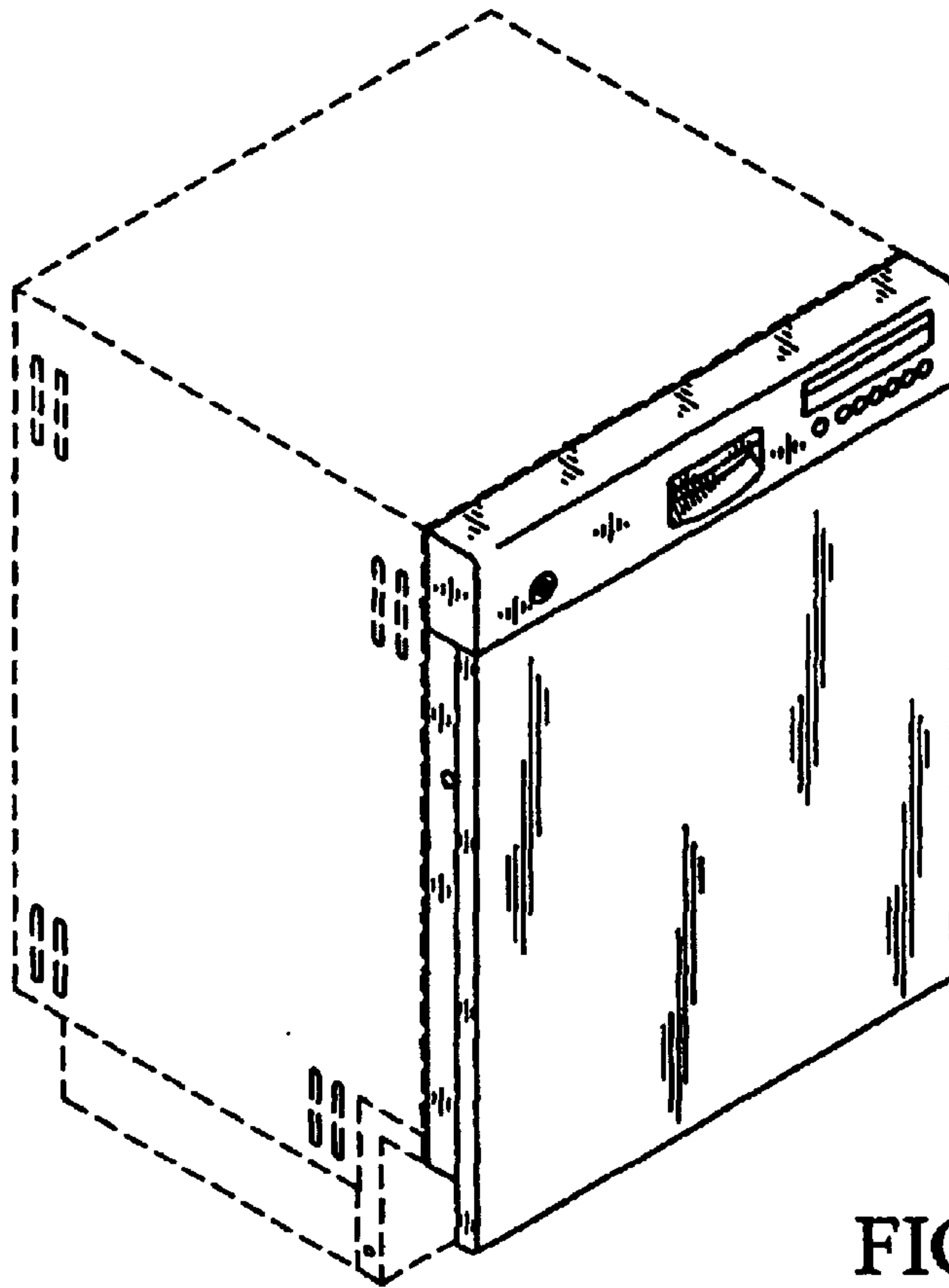


FIG. 1

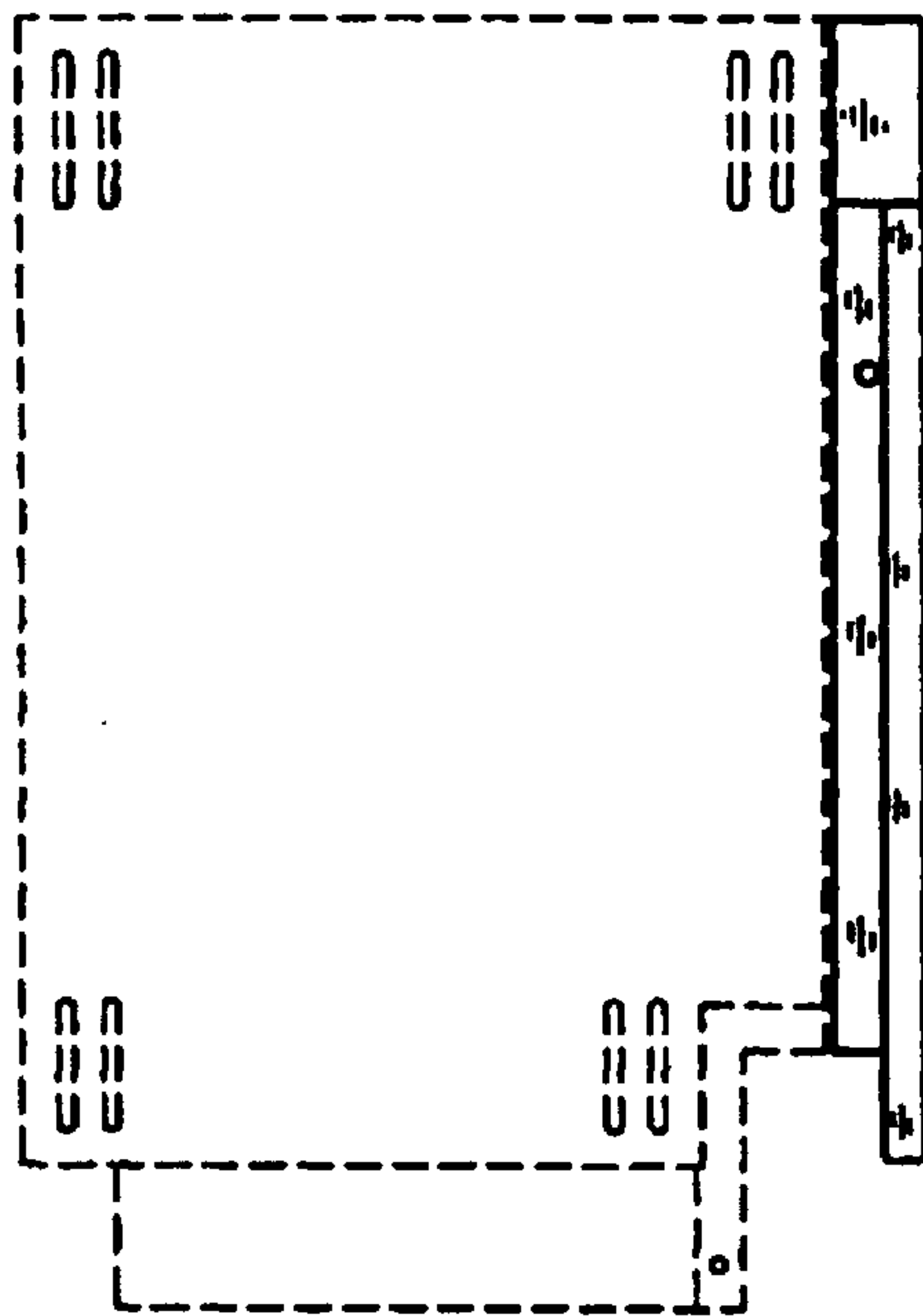


FIG. 2

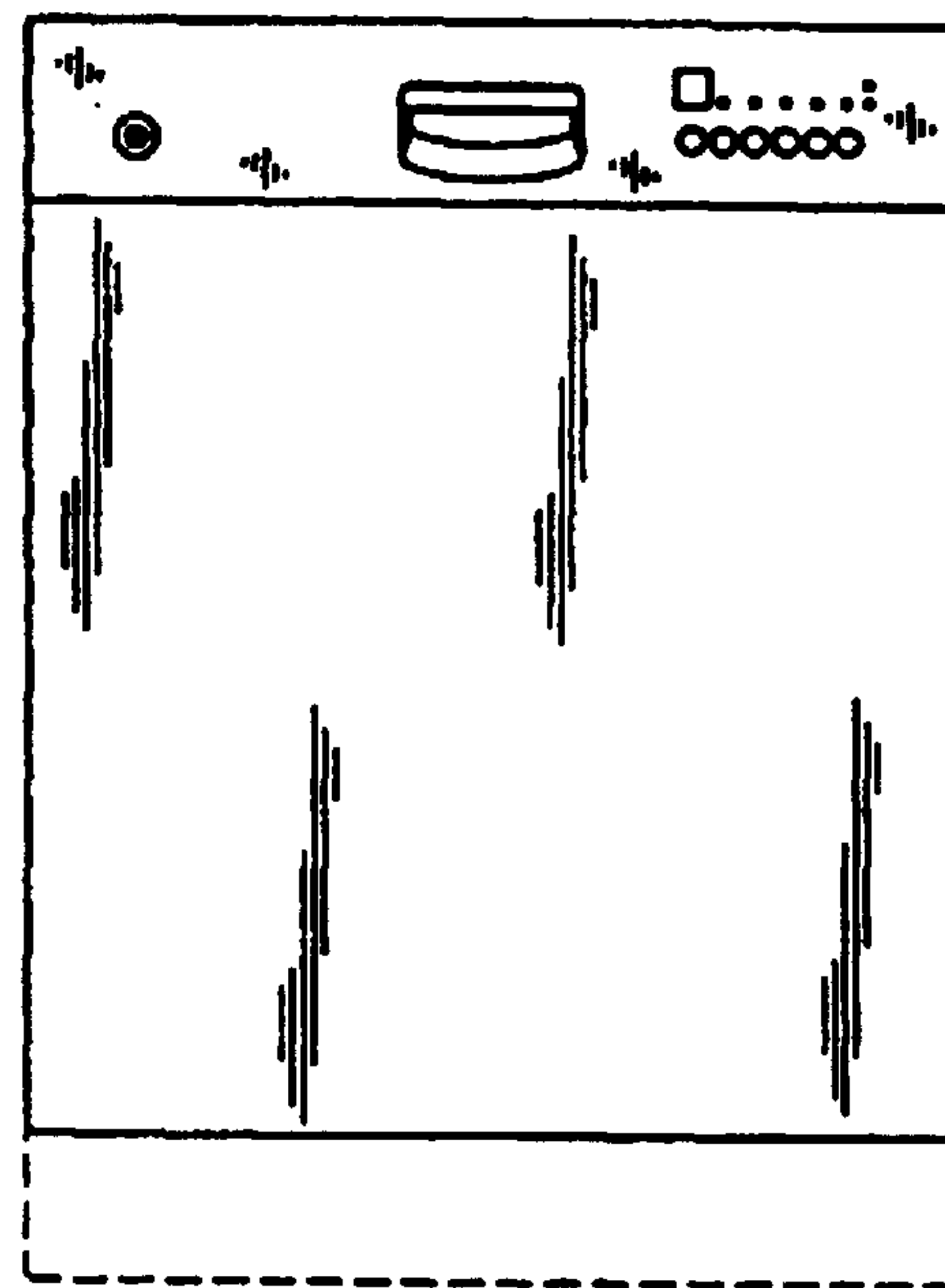


FIG. 3

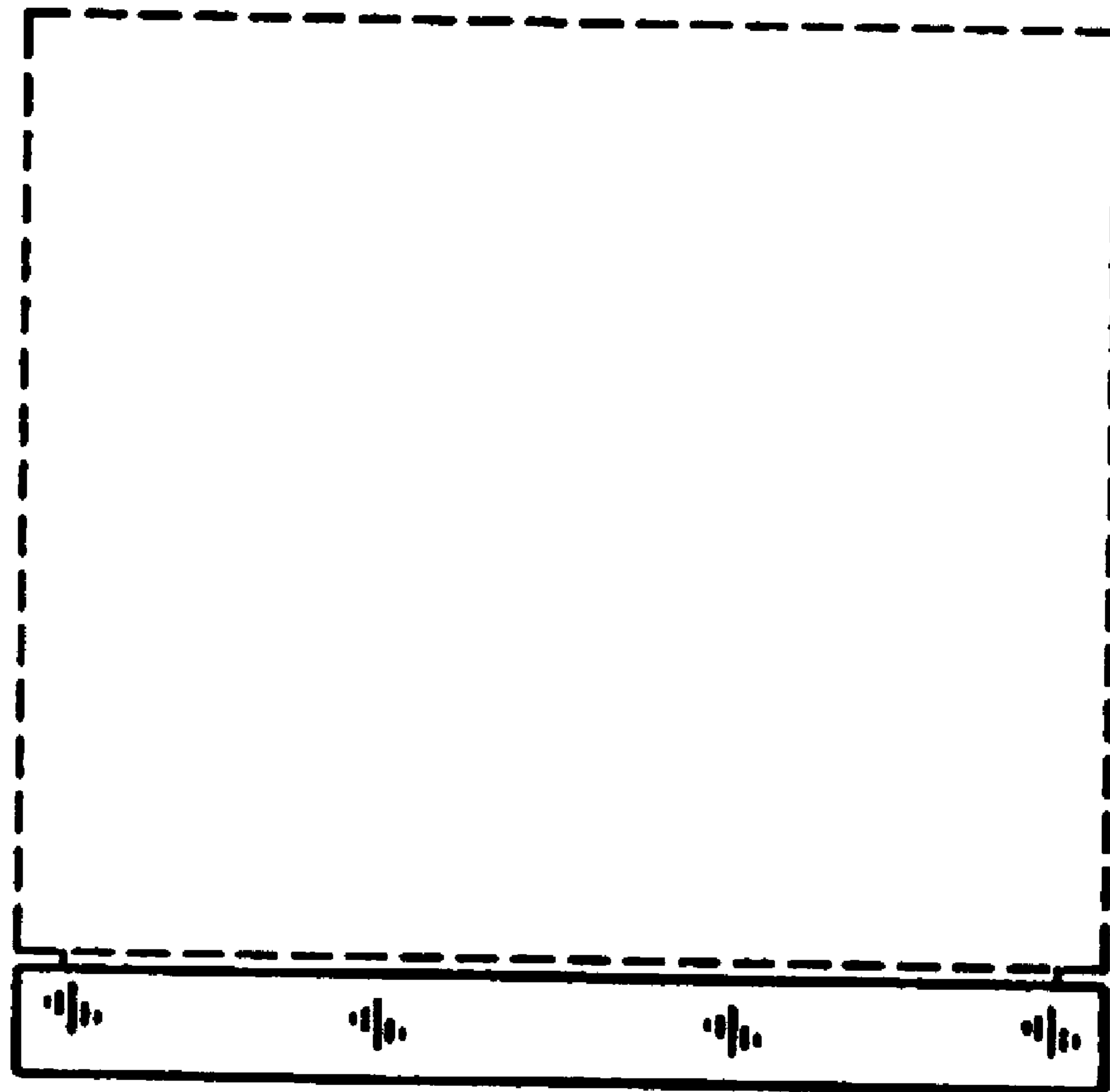


FIG. 4

UNITED STATES PATENT AND TRADEMARK OFFICE
CERTIFICATE OF CORRECTION

PATENT NO. : Des. 493,581 S
DATED : July 27, 2004
INVENTOR(S) : Thomas Ott et al.

Page 1 of 1

It is certified that error appears in the above-identified patent and that said Letters Patent is hereby corrected as shown below:

Drawings,

Fig. 3, should be replaced with current Fig. 3

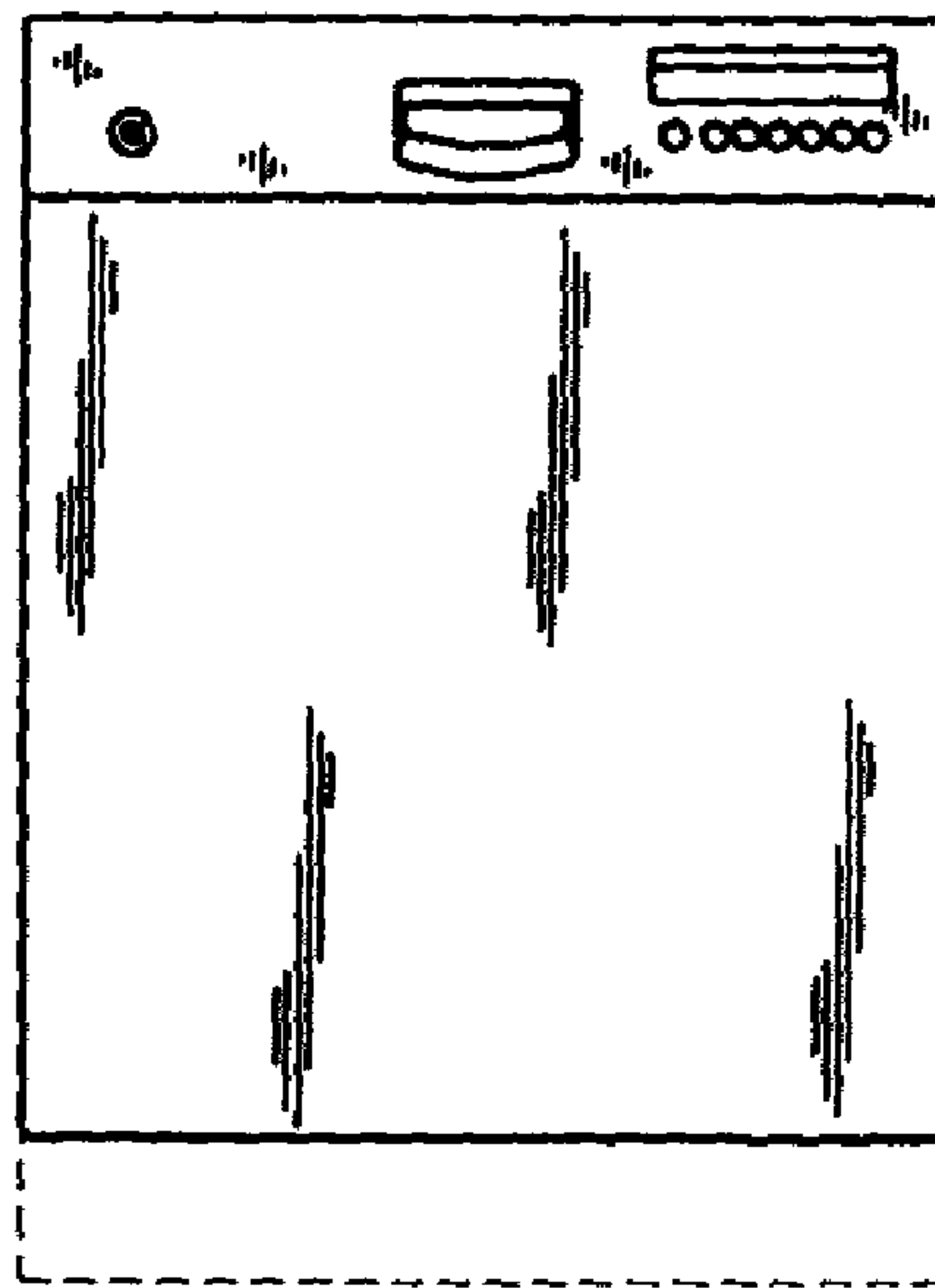


FIG. 3

Signed and Sealed this

Tenth Day of May, 2005

JON W. DUDAS

Director of the United States Patent and Trademark Office