

US00D493580S1

(12) **United States Design Patent**
Ott et al.

(10) **Patent No.:** **US D493,580 S**
(45) **Date of Patent:** **** Jul. 27, 2004**

(54) **DISHWASHER**

D320,489 S * 10/1991 Marks et al. D32/3
5,365,959 A * 11/1994 Favaro 134/201

(75) Inventors: **Thomas Ott**, Gundelfingen (DE);
Roland Vetter, Giengen-Sachsenhausen
(DE)

* cited by examiner

(73) Assignee: **BSH Bosch und Siemens Hausgerate
GmbH**, Munich (DE)

Primary Examiner—Louis S. Zarfes
Assistant Examiner—Robert A Delehanty
(74) *Attorney, Agent, or Firm*—Laurence A. Greenberg;
Werner H. Stemer; Gregory L. Mayback

(**) Term: **14 Years**

(57) **CLAIM**

(21) Appl. No.: **29/182,498**

The ornamental design for a dishwasher, as shown and described.

(22) Filed: **May 28, 2003**

(30) **Foreign Application Priority Data**

Nov. 28, 2002 (DE) 402 09 974

(51) **LOC (7) Cl.** **15-05**

(52) **U.S. Cl.** **D32/3**

(58) **Field of Search** D32/1-3, 5-6,
D32/8, 25, 28; D7/340, 405, 348-351;
68/212; 312/31, 228, 228.1, 204; 134/113,
201, 57 D, 57 DL, 56 D, 58 D, 58 DL

DESCRIPTION

FIG. 1 is a front perspective view of the dishwasher;
FIG. 2 is a left side view thereof, the right side view being
a mirror image;
FIG. 3 is a front side view thereof; and,
FIG. 4 is a top side view thereof.

The dishwasher includes a plain and unornamented rear and
bottom, which are not shown.

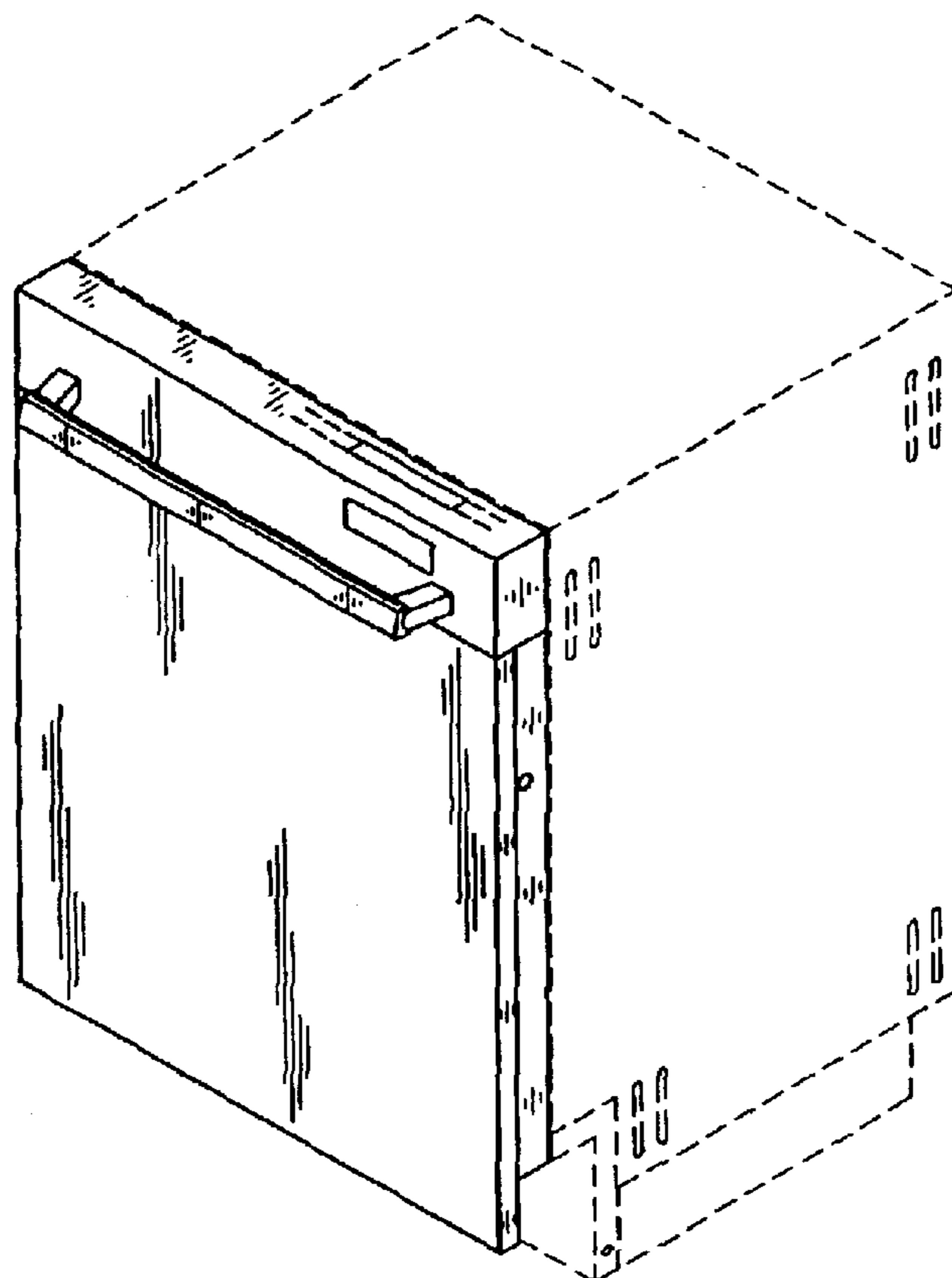
The broken line showing of portions of the dishwasher is for
illustrative purposes only and forms no part of the claimed
design.

(56) **References Cited**

U.S. PATENT DOCUMENTS

D160,776 S * 11/1950 Desguin et al. D7/340

1 Claim, 2 Drawing Sheets



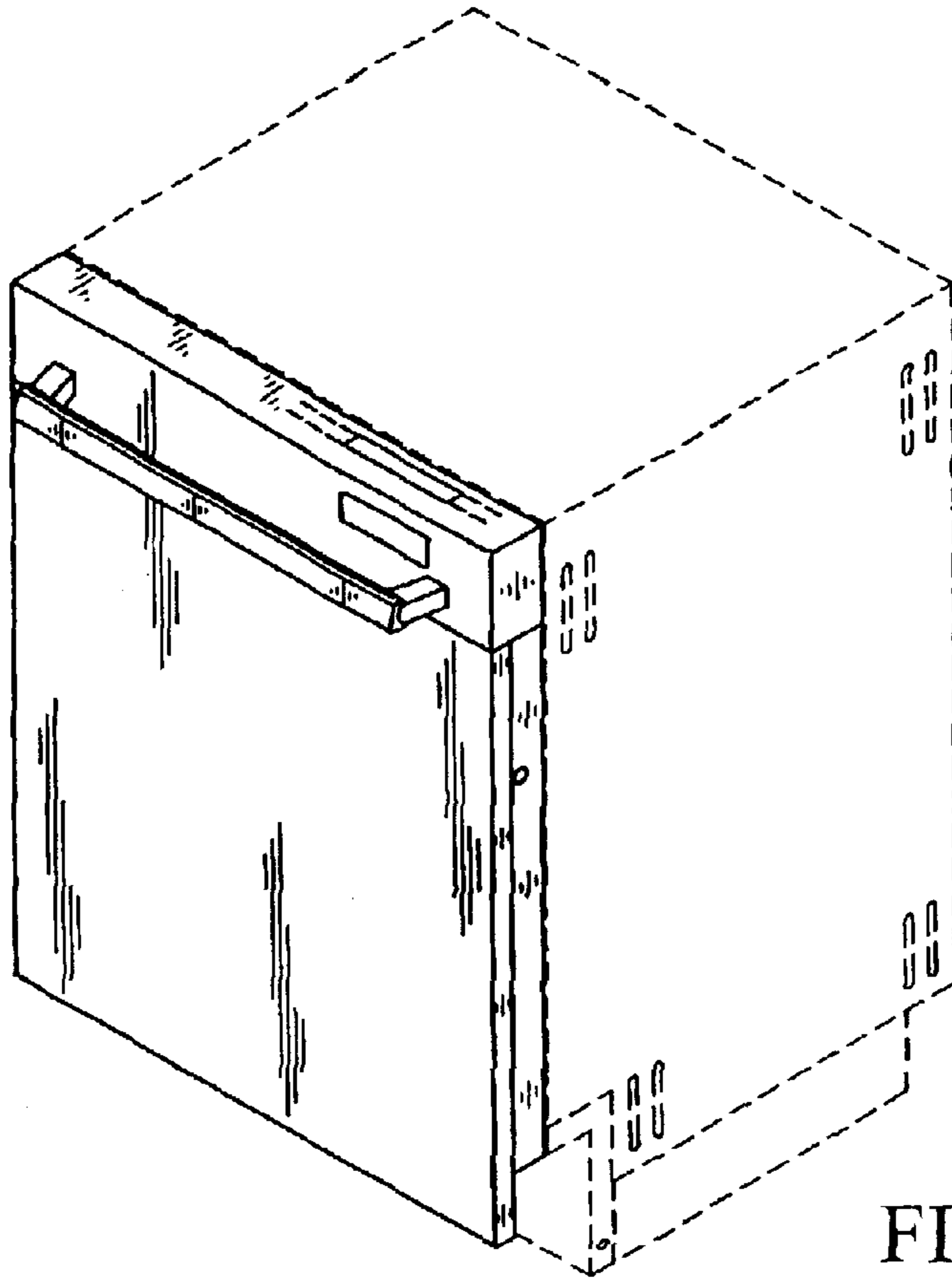


FIG. 1

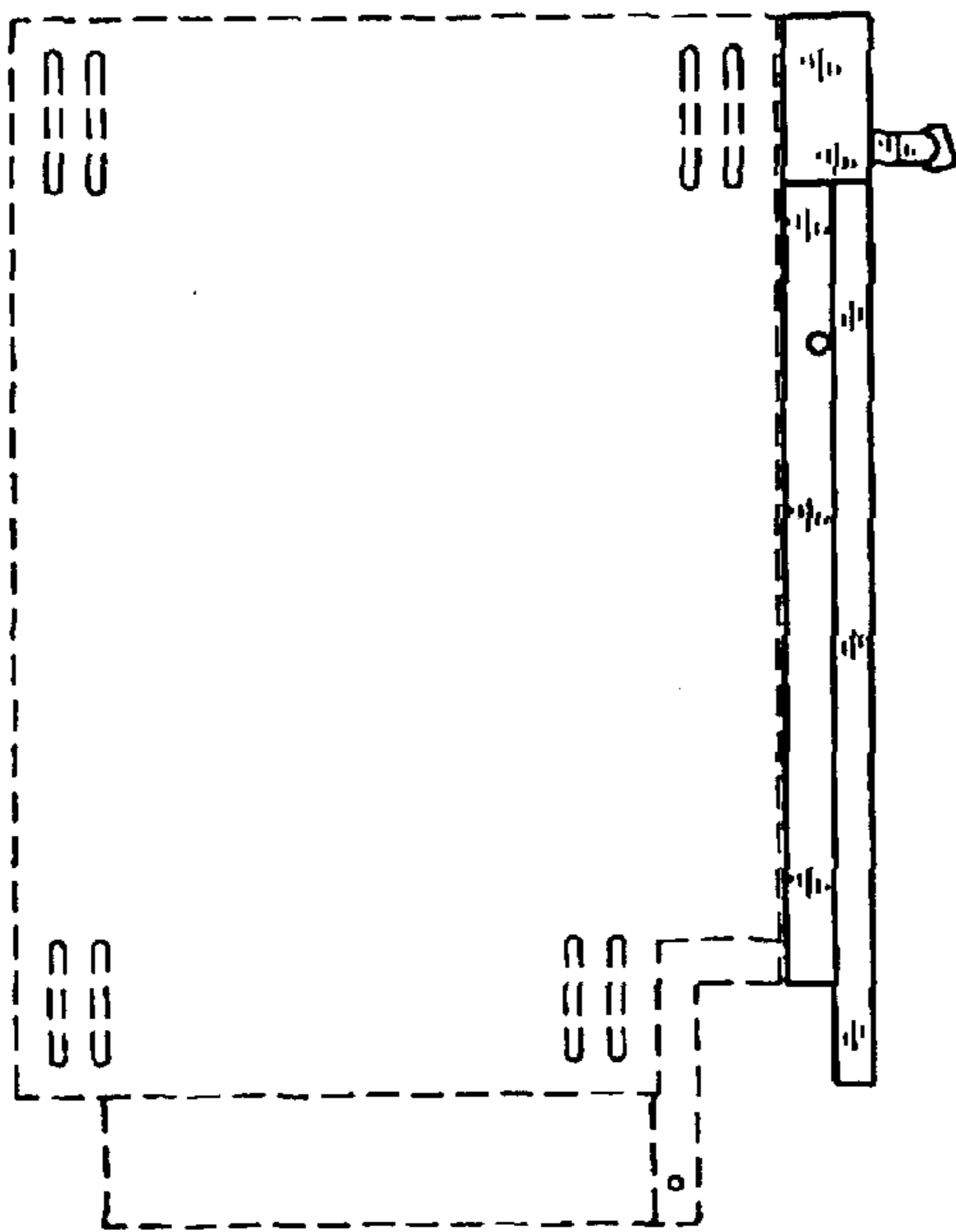


FIG. 2

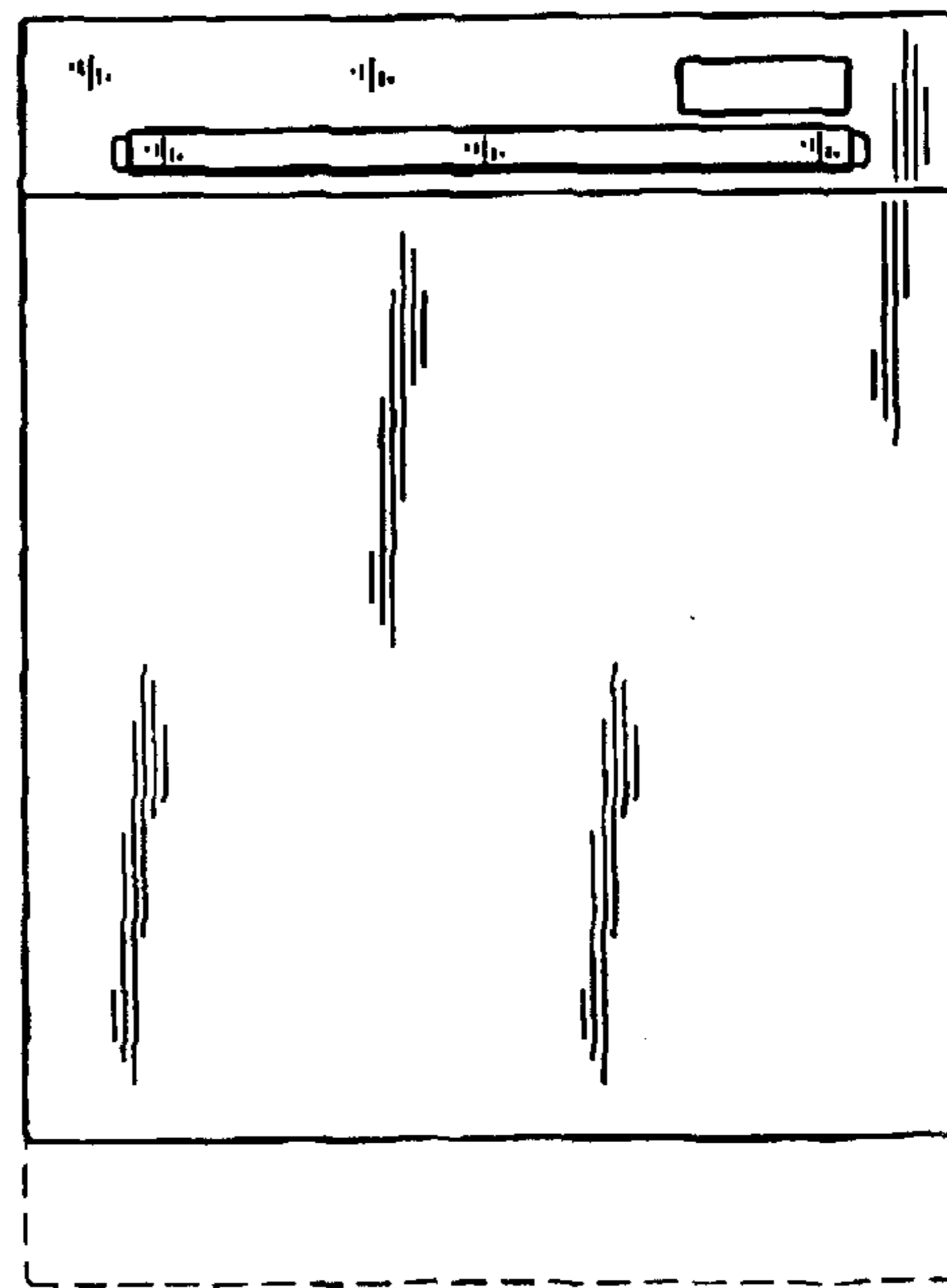


FIG. 3

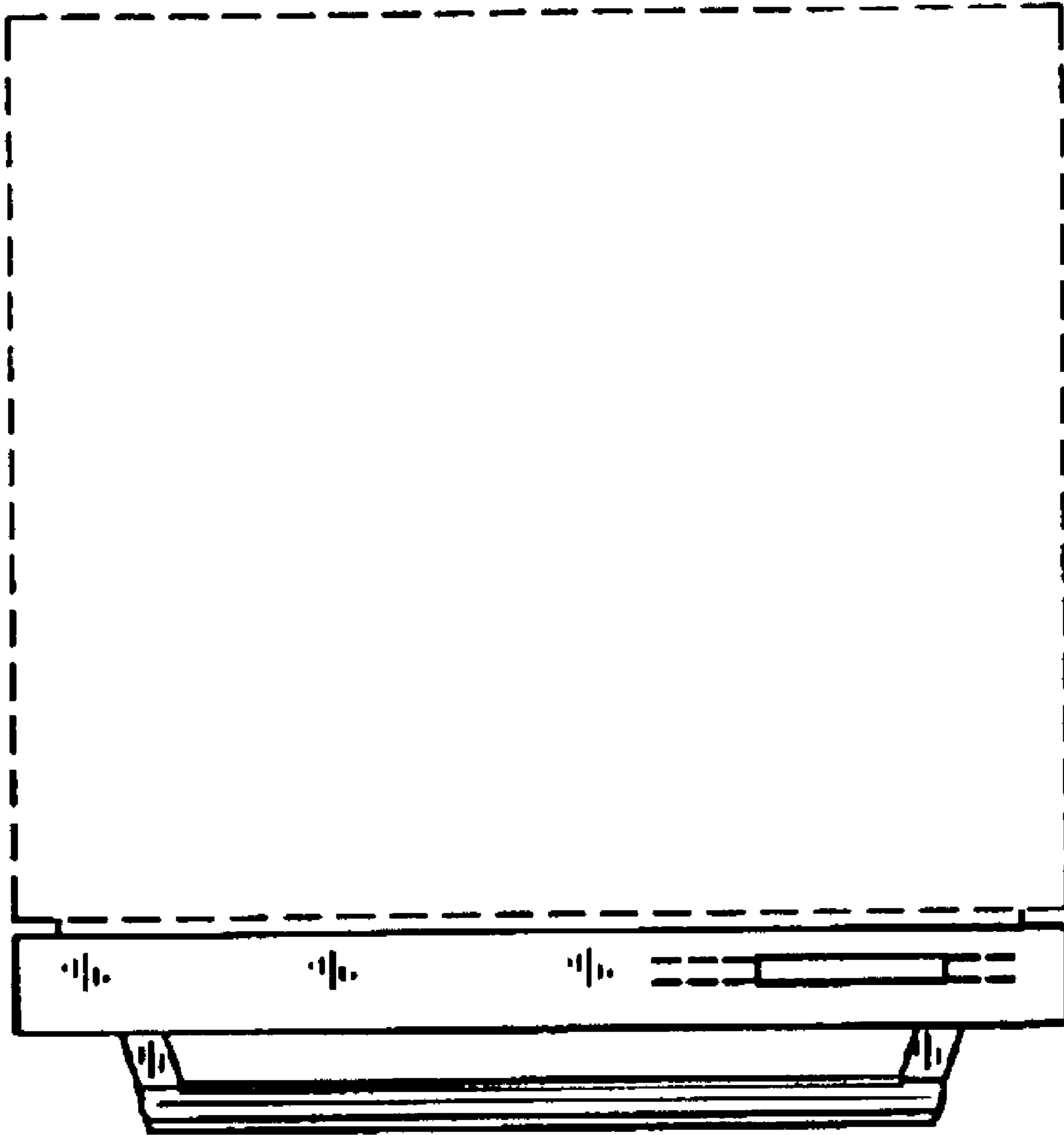


FIG. 4