

US00D493577S1

(12) **United States Design Patent**
Winkler

(10) **Patent No.:** **US D493,577 S**

(45) **Date of Patent:** **** Jul. 27, 2004**

(54) **BATTERY-OPERATED DENTAL FLOSS**

(75) **Inventor:** **Till Winkler, Kronberg (DE)**

(73) **Assignee:** **The Gillette Company, Boston, MA (US)**

(**) **Term:** **14 Years**

(21) **Appl. No.:** **29/186,895**

(22) **Filed:** **Jul. 24, 2003**

(30) **Foreign Application Priority Data**

Jan. 27, 2003 (WO) DM/062 879

(51) **LOC (7) Cl.** **28-03**

(52) **U.S. Cl.** **D28/68**

(58) **Field of Search** D28/65, 66, 68;
132/321-329; D24/152; 433/141, 146, 147

(56) **References Cited**

U.S. PATENT DOCUMENTS

3,759,273	A	*	9/1973	Knaus	132/326
D251,859	S	*	5/1979	Kent	D28/68
4,830,032	A	*	5/1989	Jousson	132/323
D323,721	S	*	2/1992	Bushberger	D28/68
D323,723	S		2/1992	Chung		
D340,314	S		10/1993	Woodyard		
5,261,430	A	*	11/1993	Mochel	132/322
5,267,579	A	*	12/1993	Bushberger	132/322
D348,332	S		6/1994	Haggett-King et al.		
D352,801	S		11/1994	Chung		

5,400,811	A	*	3/1995	Meibauer	132/322
D358,002	S	*	5/1995	Rakocy	D28/68
D361,157	S		8/1995	Carl et al.		
D369,884	S	*	5/1996	Hashim	D28/68
D401,701	S		11/1998	Chodorow		
D410,115	S		5/1999	Chodorow		
D441,142	S		4/2001	Doyscher		
D460,583	S		7/2002	Antler		
D463,626	S		9/2002	Huang		

FOREIGN PATENT DOCUMENTS

DE 40105547.7 10/2001

* cited by examiner

Primary Examiner—Lucy Lieberman

(74) *Attorney, Agent, or Firm*—Fish & Richardson P.C.

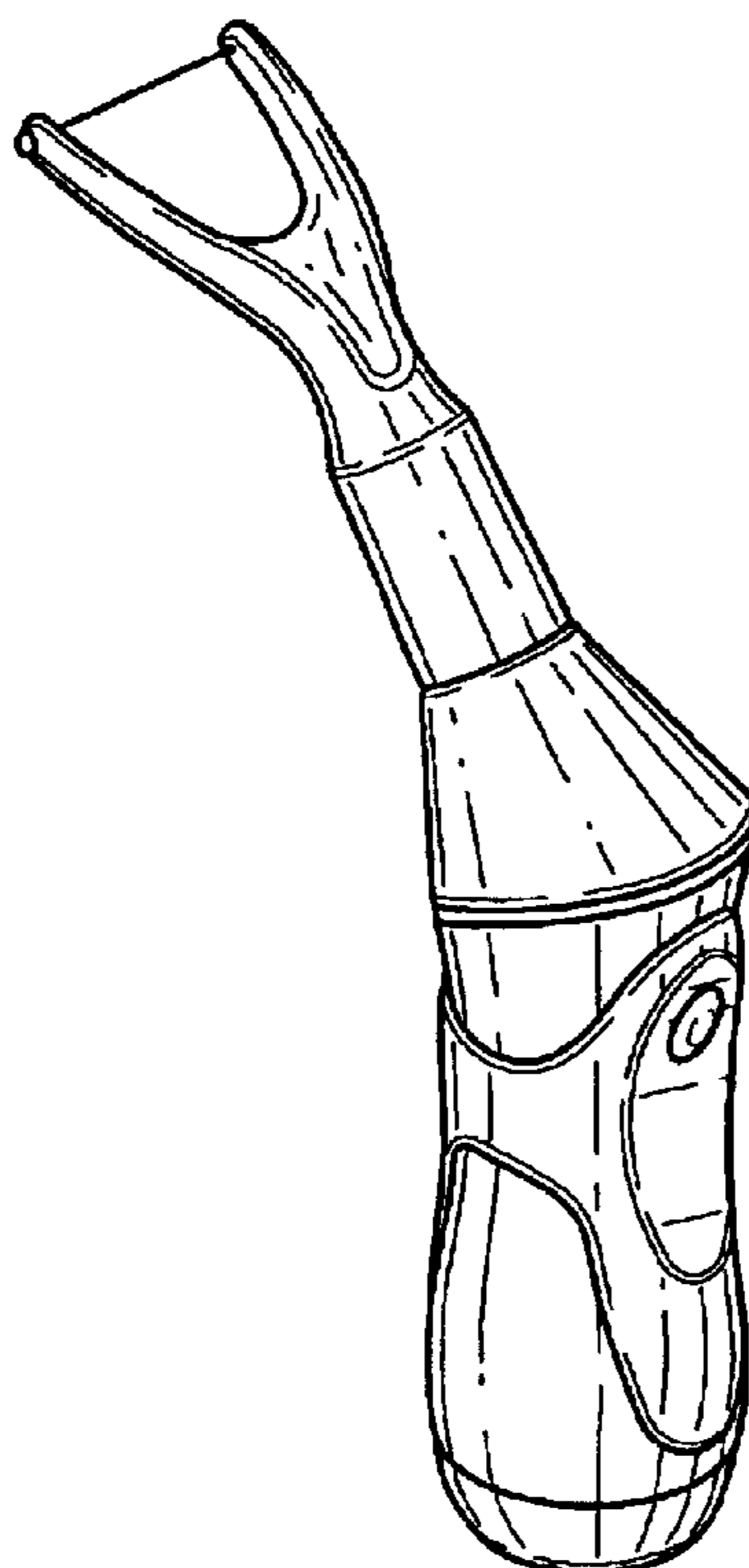
(57) **CLAIM**

The ornamental design for a battery-operated dental floss, as shown and described.

DESCRIPTION

FIG. 1 is a perspective view of a battery-operated dental floss showing my new design; FIG. 2 is a front view of the appliance; FIG. 3 is a right side view of the appliance; FIG. 4 is a rear view of the appliance; FIG. 5 is a left side view of the appliance; FIG. 6 is a top plan view of the appliance; and, FIG. 7 is a bottom plan view of the appliance.

1 Claim, 2 Drawing Sheets



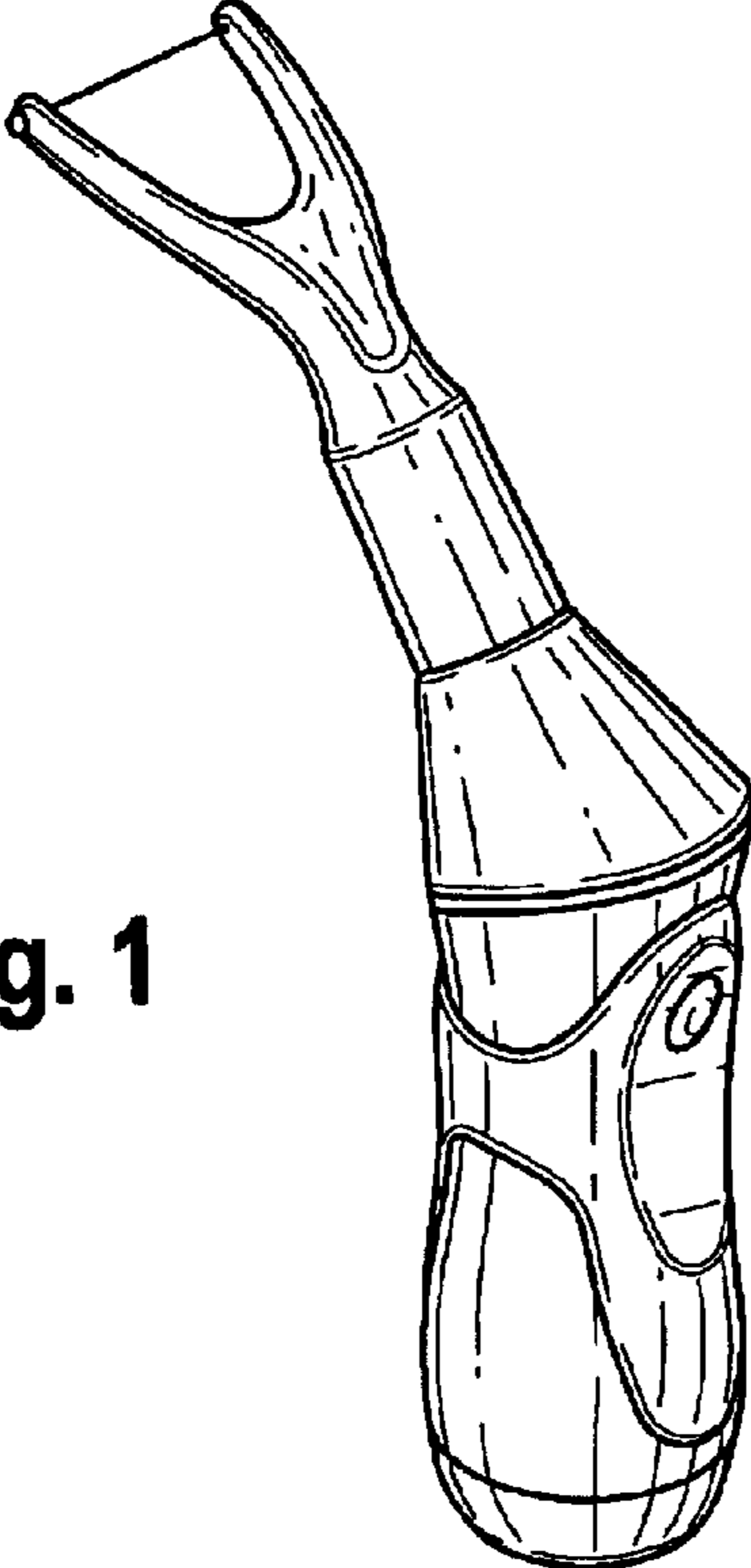


Fig. 1

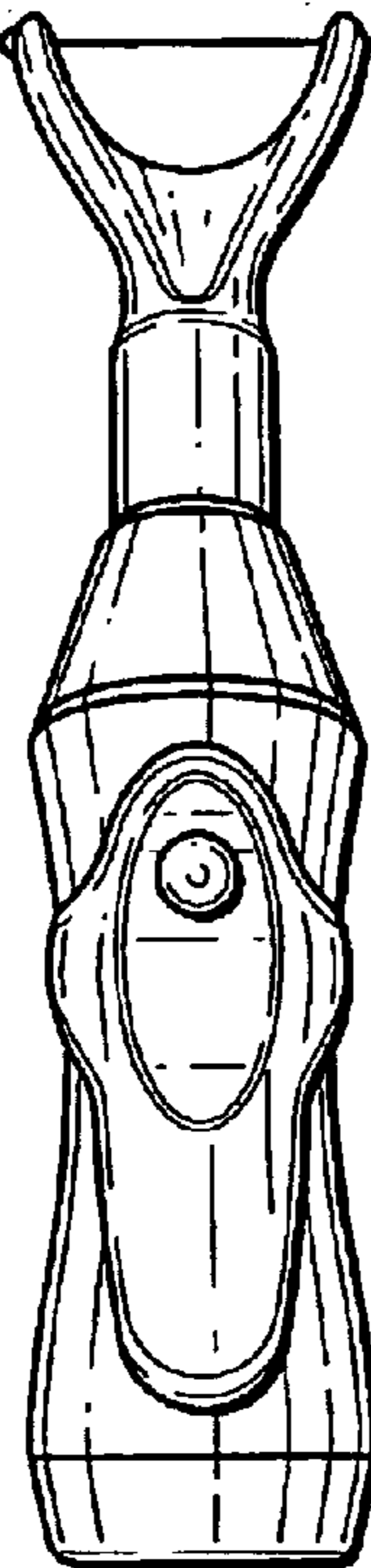


Fig. 2

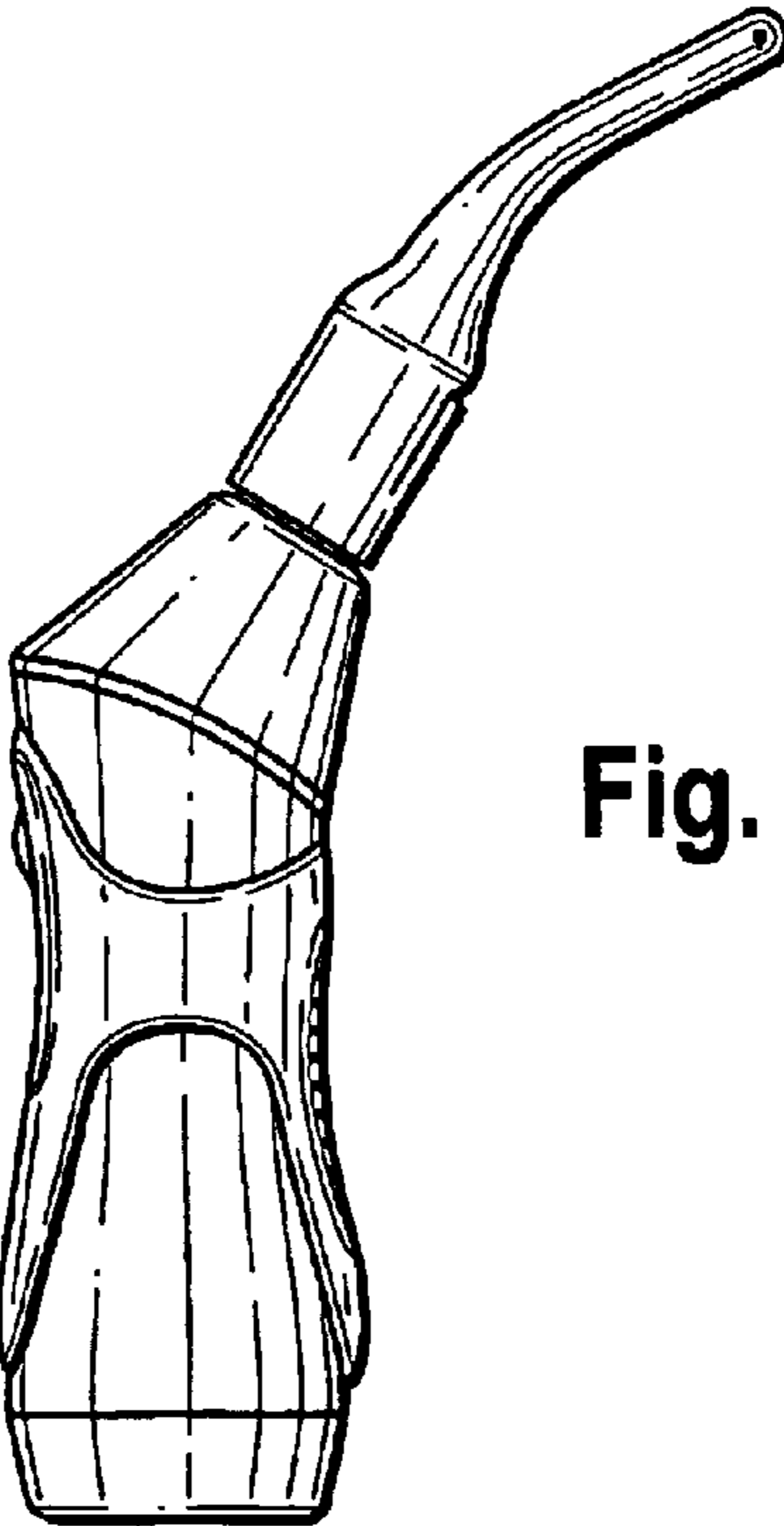


Fig. 3

Fig. 6

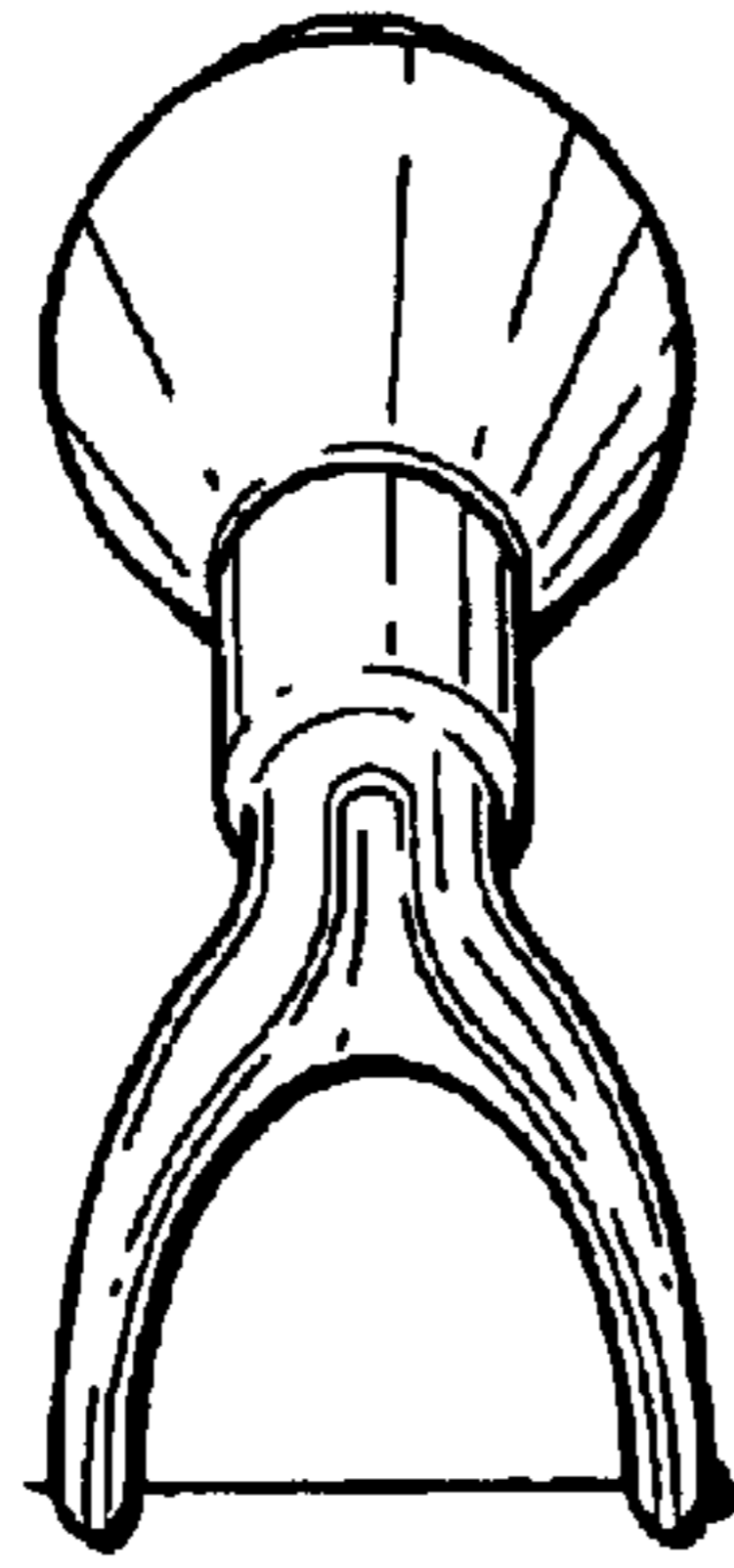


Fig. 4

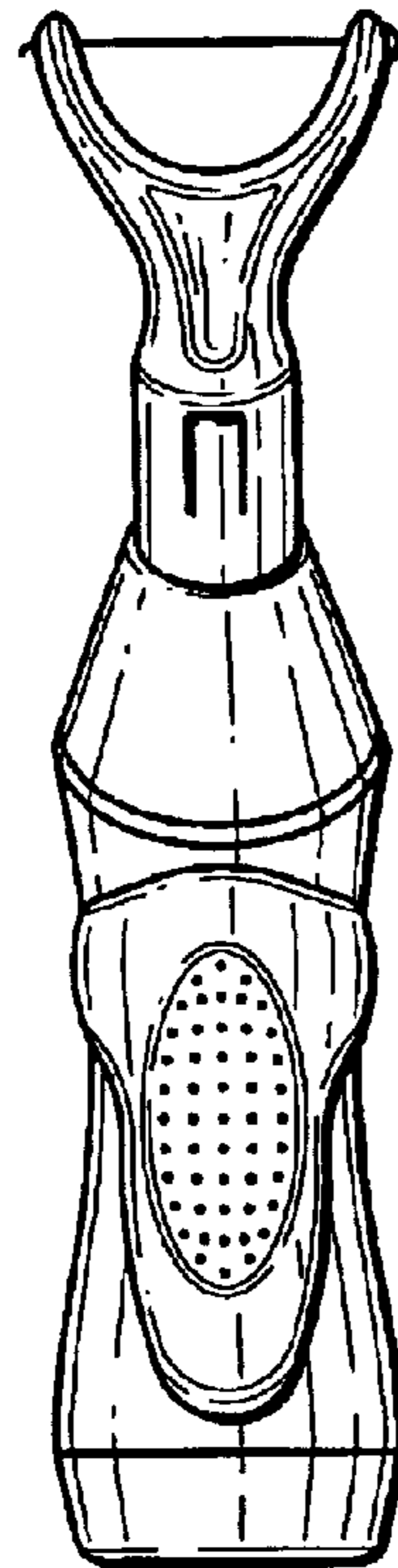


Fig. 5

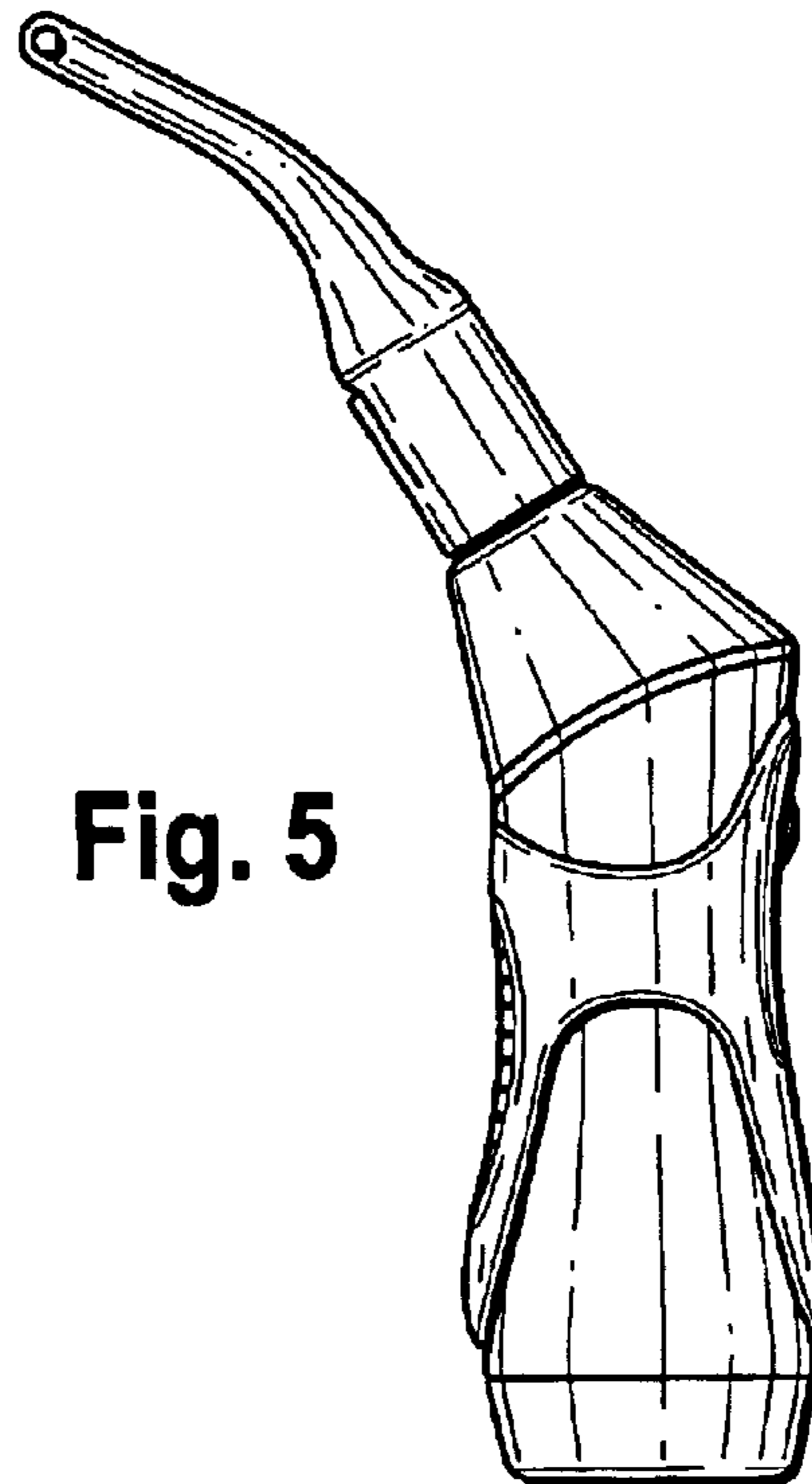


Fig. 7

