

US00D493572S1

(12) **United States Design Patent** (10) **Patent No.:** **US D493,572 S**
Stachowski (45) **Date of Patent:** **** Jul. 27, 2004**

(54) **LAYERED HAIRCLIP DEVICE** 5,284,167 A * 2/1994 Gill 132/200
5,365,955 A * 11/1994 Desgroux et al. 132/279
(76) Inventor: **Barbara Stachowski**, 11 El Gavilan, 5,544,666 A 8/1996 Schach 132/273
Orinda, CA (US) 94563 5,642,740 A 7/1997 Chen 132/277
(**) Term: **14 Years** 5,666,982 A * 9/1997 Pignon 132/279
5,833,335 A 11/1998 Voughlohn 132/273
(21) Appl. No.: **29/175,469** 5,862,814 A 1/1999 Janik et al. 132/275
6,003,522 A 12/1999 Schach 132/279
(22) Filed: **Feb. 4, 2003** 6,098,636 A 8/2000 Curtiss et al. 132/277
6,102,049 A 8/2000 Chang 132/273

Related U.S. Application Data

(63) Continuation-in-part of application No. 09/835,051, filed on Apr. 13, 2001.
(51) **LOC (7) Cl.** **28-03**
(52) **U.S. Cl.** **D28/42**
(58) **Field of Search** D28/39-43, 23,
D28/28, 27, 32, 33, 35, 38; 132/273-284,
133, 144, 126

References Cited

U.S. PATENT DOCUMENTS

555,140 A 2/1896 Werman et al.
1,437,334 A * 11/1922 Battersby 132/260
1,447,998 A * 3/1923 Popin 132/256
1,496,329 A * 6/1924 Stumph 132/260
1,721,837 A 7/1929 Schurger
1,813,423 A * 7/1931 Richard 132/145
2,496,810 A 2/1950 Nerrie 35/71
2,630,811 A * 3/1953 Green, Jr. 132/145
3,590,830 A 7/1971 Hannum 132/48 R
3,595,249 A 7/1971 Solomon 132/48 R
3,860,014 A 1/1975 Clifton 132/46 R
5,109,878 A * 5/1992 Kuo-Hua 132/279
5,154,196 A 10/1992 Moffat 132/278
5,172,534 A 12/1992 Milner et al. 52/593

FOREIGN PATENT DOCUMENTS

FR 40.381 6/1931 16/3

* cited by examiner

Primary Examiner—Lucy Lieberman

(74) *Attorney, Agent, or Firm*—Haverstock & Owens LLP

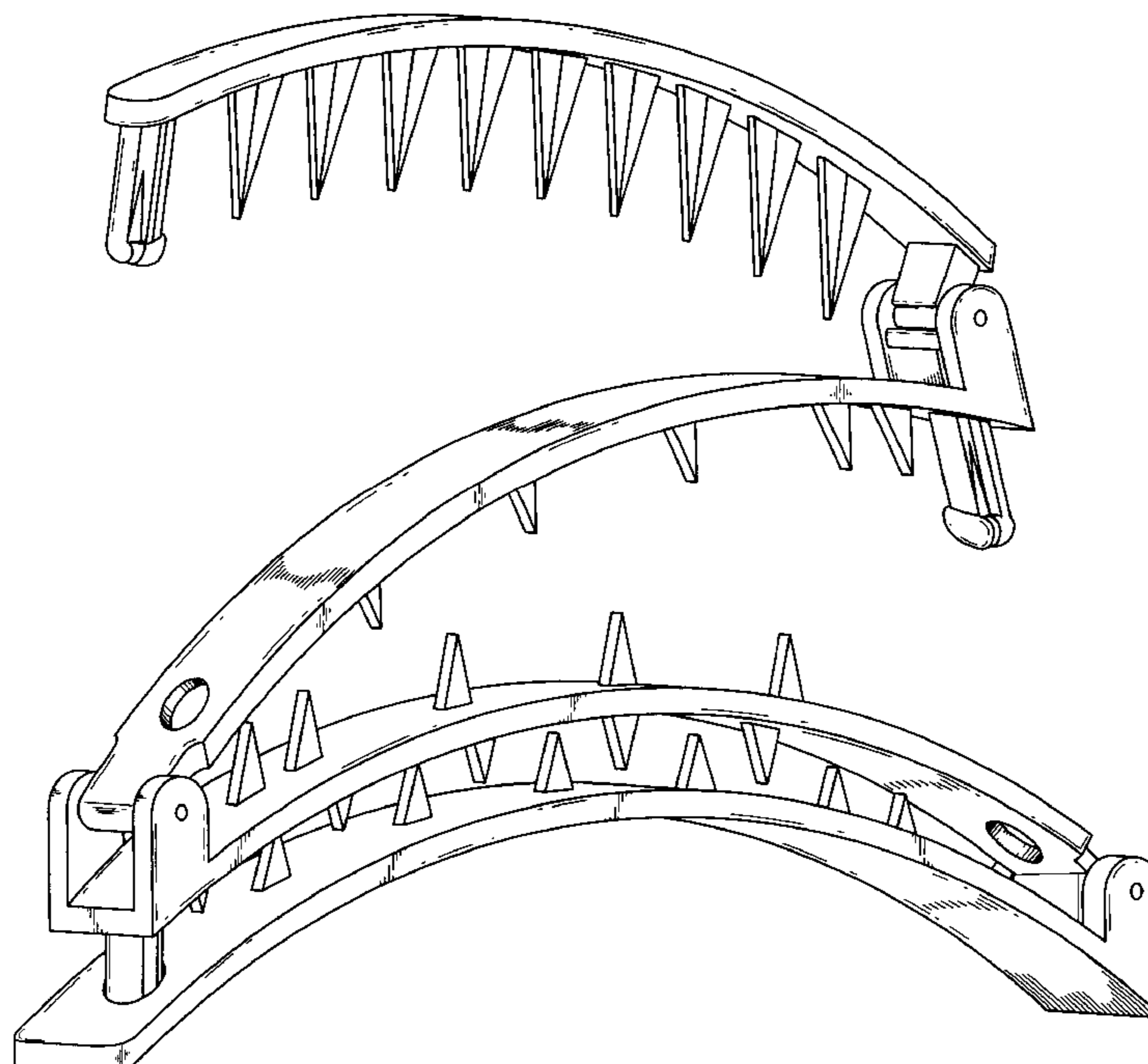
(57) **CLAIM**

I claim the ornamental design for a layered hairclip device, as shown and described.

DESCRIPTION

FIG. 1 illustrates a perspective view of a layered hairclip device closed;
FIG. 2 illustrates a perspective and partially opened view thereof;
FIG. 3 is a side elevation as seen from the right side of FIG. 1;
FIG. 4 is a side elevation as seen from the left side of FIG. 1;
FIG. 5 is a front elevation thereof;
FIG. 6 illustrates a top plan view thereof; and,
FIG. 7 illustrates a bottom plan view thereof.

1 Claim, 4 Drawing Sheets



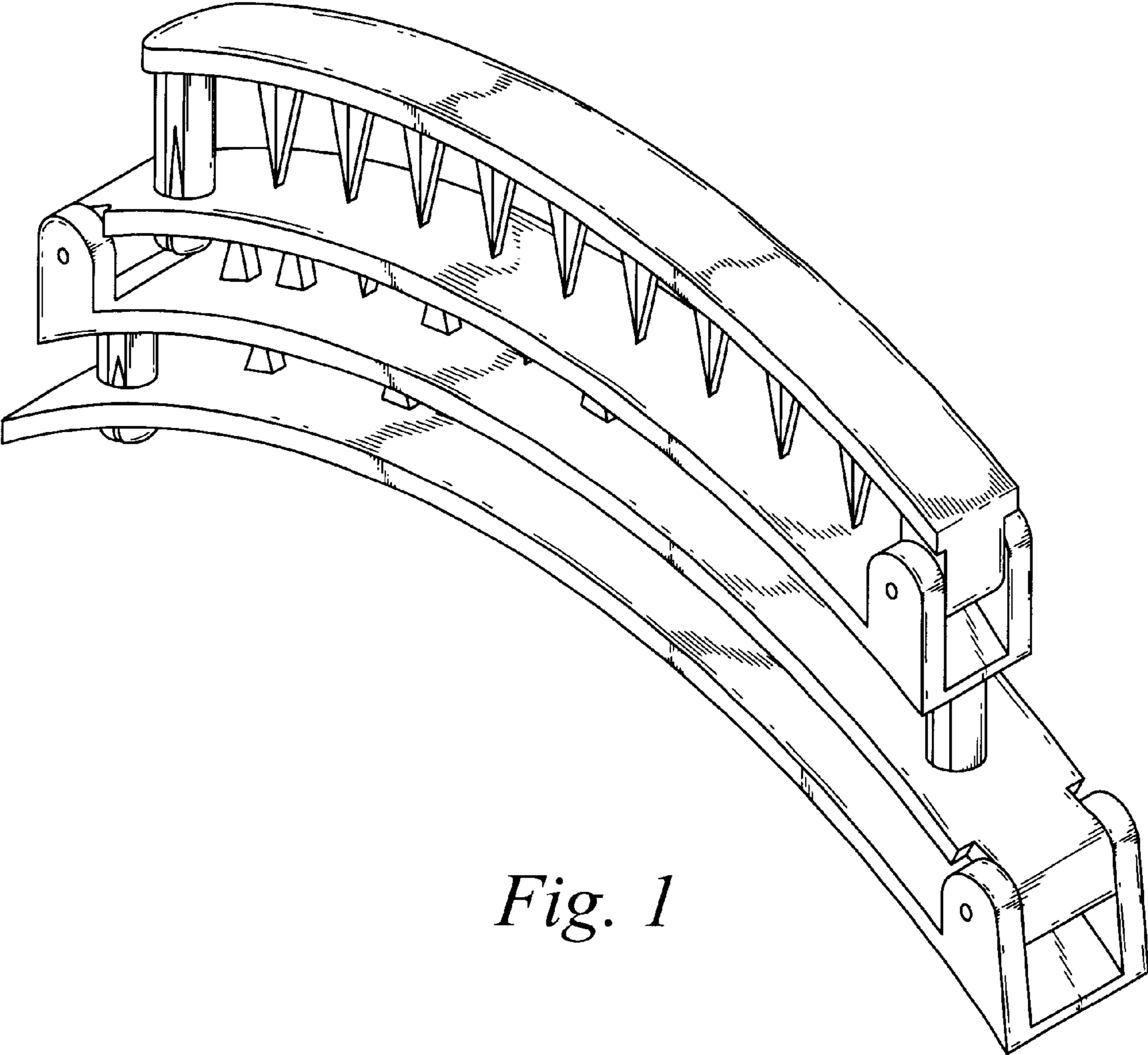


Fig. 1

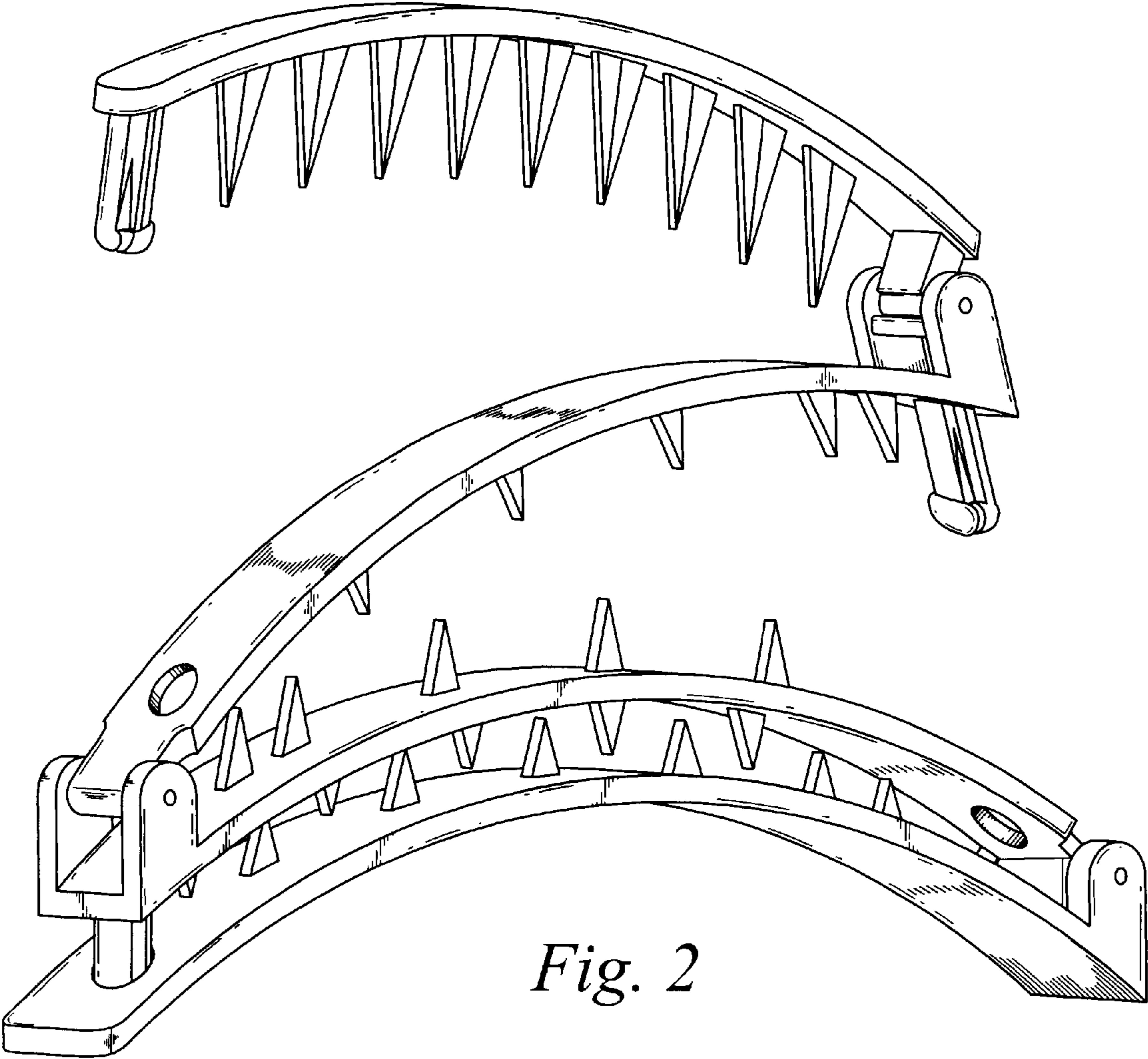


Fig. 2

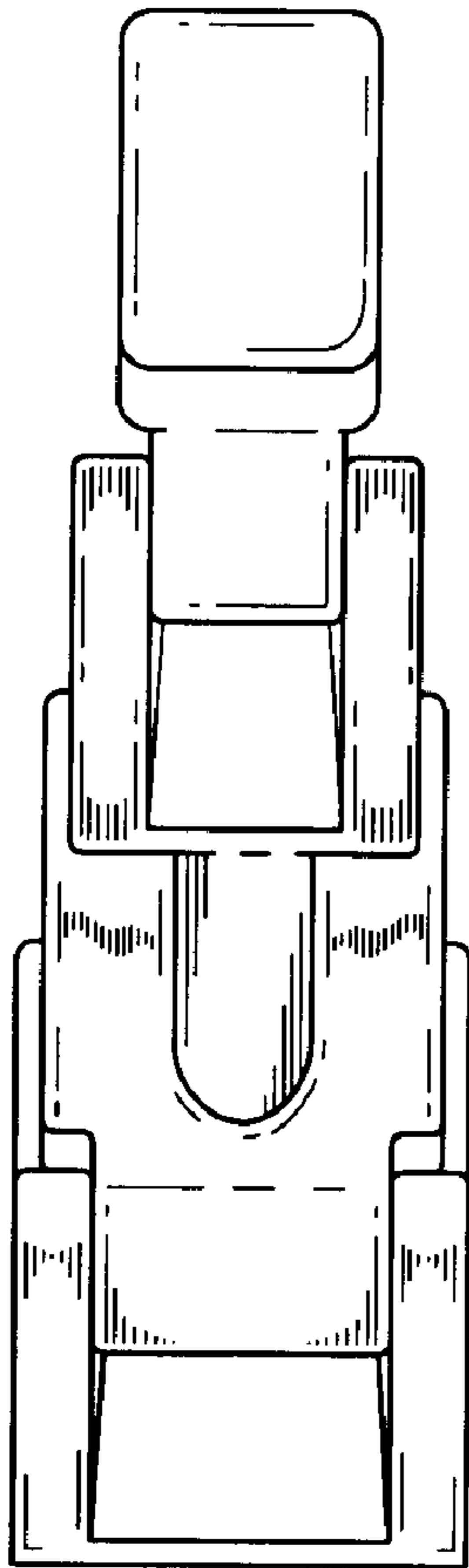


Fig. 3

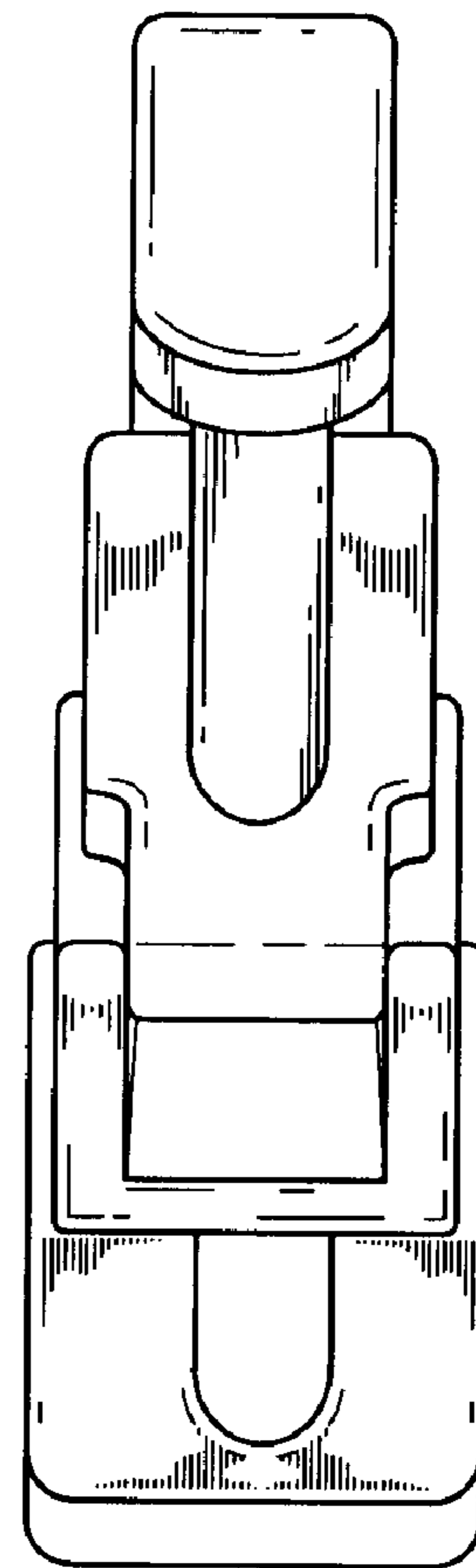


Fig. 4

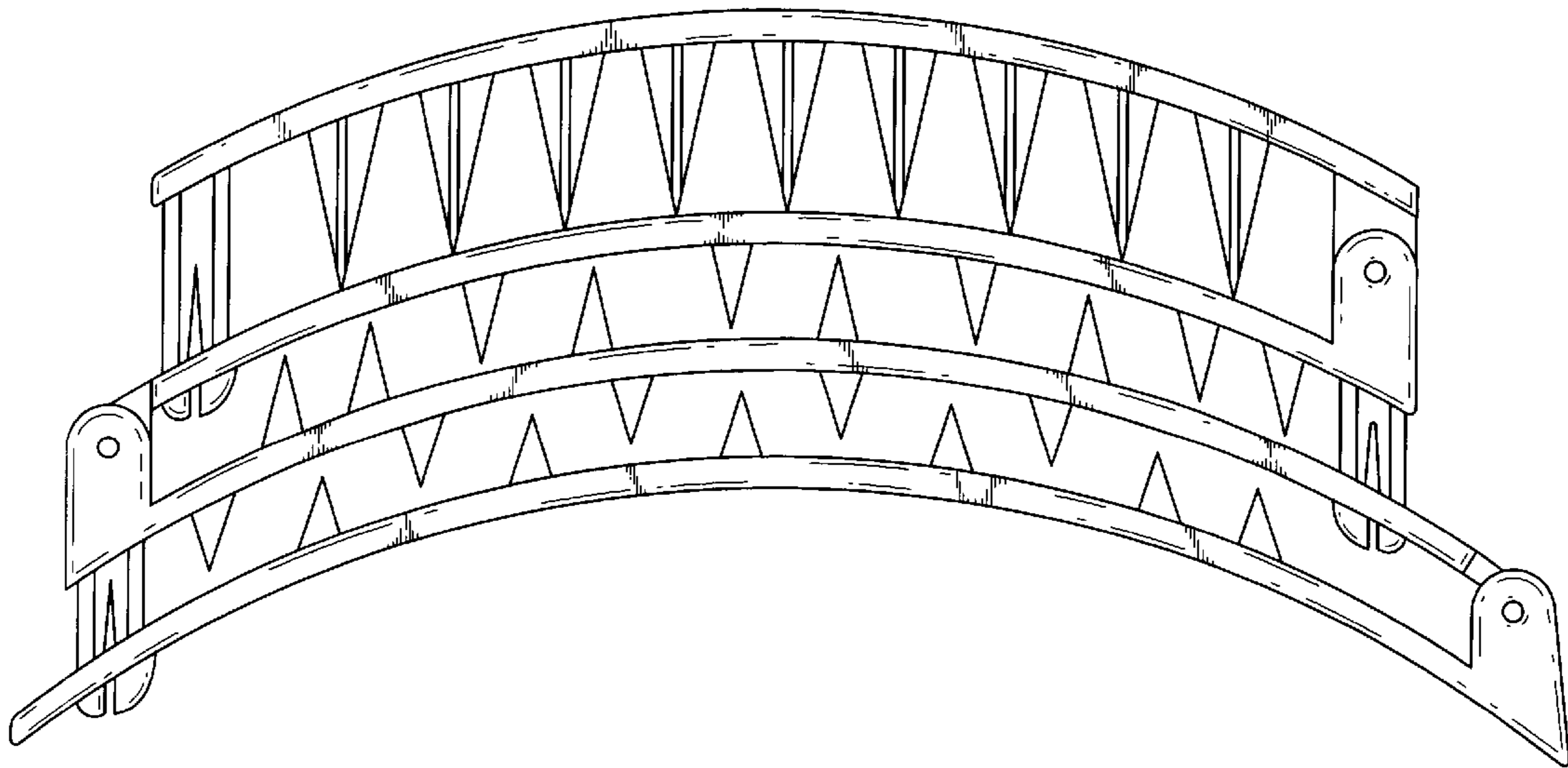


Fig. 5

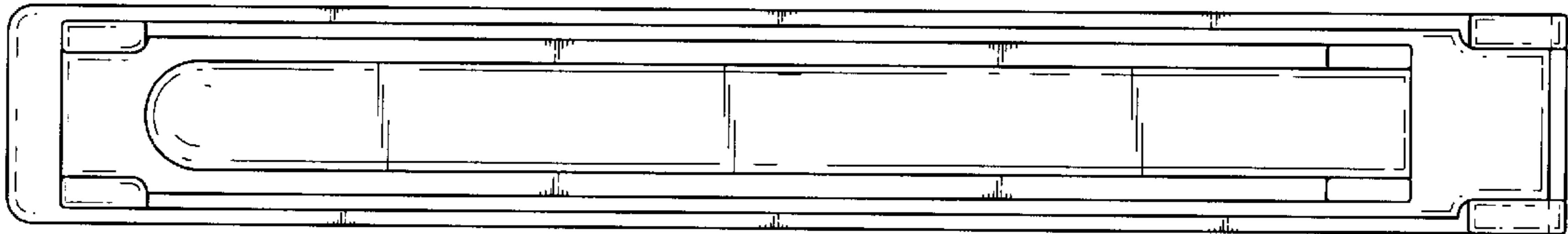


Fig. 6

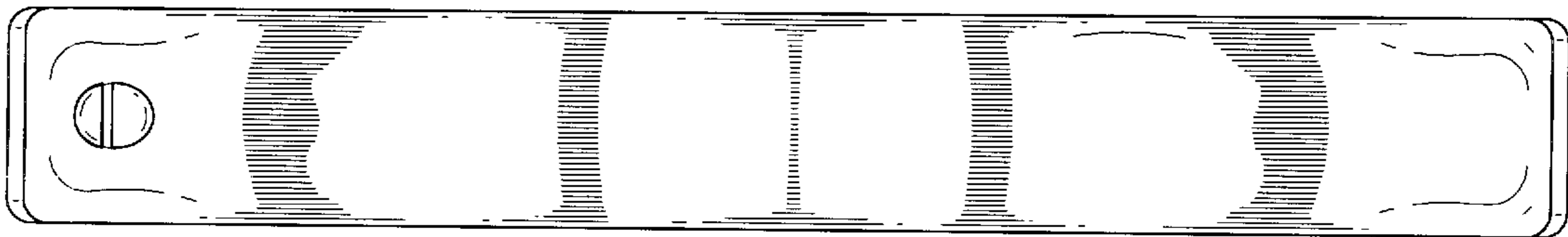


Fig. 7