

US00D493571S1

(12) **United States Design Patent**  
**Jenkins**

(10) **Patent No.:** **US D493,571 S**  
(45) **Date of Patent:** **\*\* Jul. 27, 2004**

(54) **NIT COMB**  
(75) **Inventor:** **Walter Jenkins, Carmel, NY (US)**  
(73) **Assignee:** **Taro Pharmaceutical Industries Ltd.,  
Yakum (IL)**  
(\*\*) **Term:** **14 Years**

D353,915 S 12/1994 Lanne  
D363,364 S \* 10/1995 Newman ..... D28/28  
D415,595 S 10/1999 O'Farrell  
D441,136 S 4/2001 Leman  
D457,267 S 5/2002 Levandovsky  
6,565,665 B2 \* 5/2003 Altschuler ..... 134/6  
6,607,716 B1 \* 8/2003 Smith et al. .... 424/70.1

\* cited by examiner

(21) **Appl. No.:** **29/189,735**  
(22) **Filed:** **Sep. 10, 2003**

*Primary Examiner*—Lucy Lieberman

(51) **LOC (7) Cl.** ..... **28-03**  
(52) **U.S. Cl.** ..... **D28/31**  
(58) **Field of Search** ..... D28/31, 30, 21,  
D28/22, 25; 132/150, 219, 149, 161, 112–116;  
D30/159; 119/626, 632, 633, 613, 611,  
616

(57) **CLAIM**

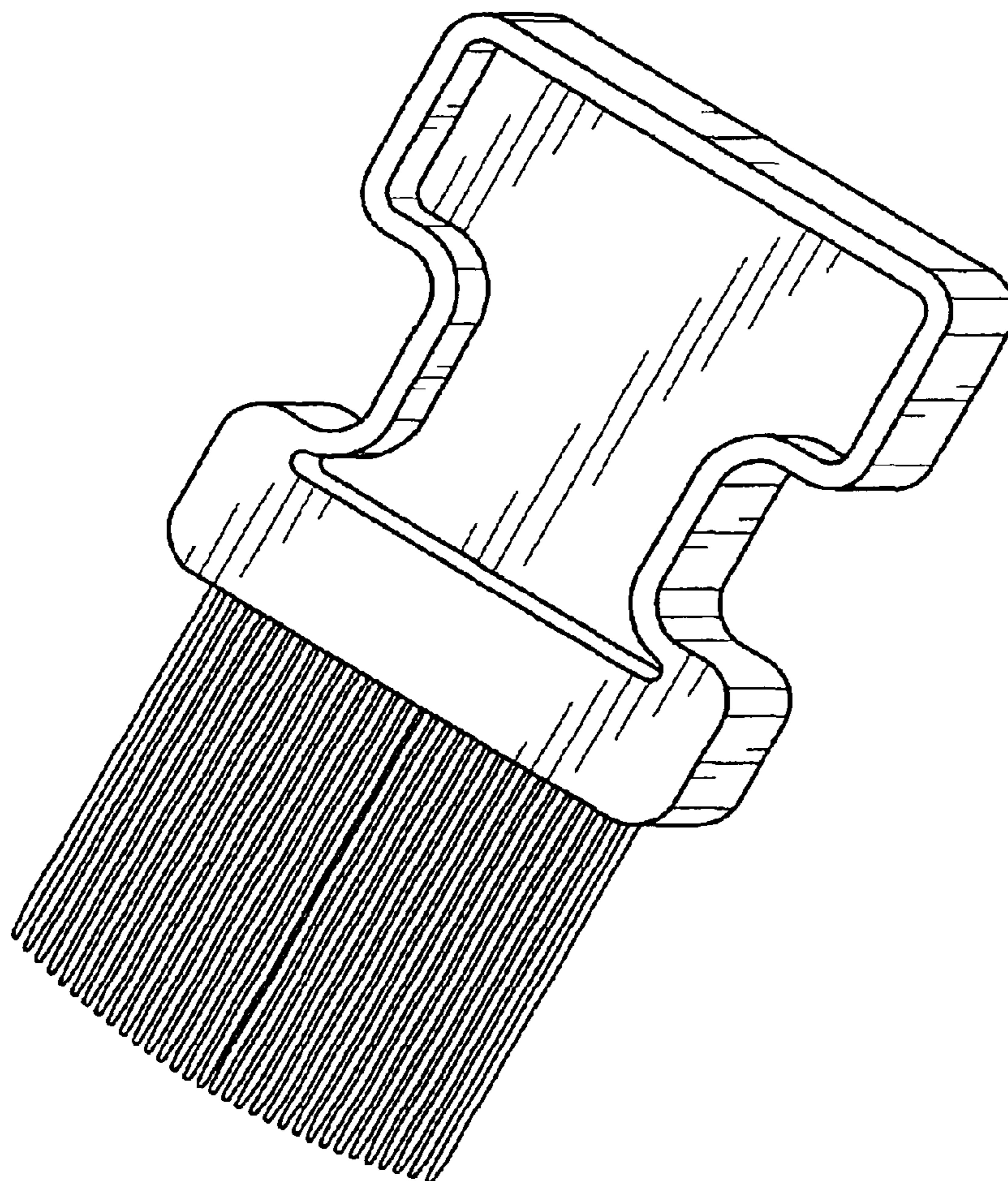
The ornamental design for a nit comb, as shown and described.

**DESCRIPTION**

FIG. 1 is a front perspective view of the nit comb;  
FIG. 2 is a rear view of the nit comb as shown in FIG. 1;  
FIG. 3 is a side view of the nit comb as shown in FIG. 1;  
FIG. 4 is a top plan view of the nit comb as shown in FIG. 1; and,  
FIG. 5 is a bottom plan view of the nit comb as shown in FIG. 1.

(56) **References Cited**  
**U.S. PATENT DOCUMENTS**  
D258,541 S \* 3/1981 Featherstone ..... D28/31  
D282,875 S \* 3/1986 Harvey ..... D28/31  
4,917,129 A \* 4/1990 Olson ..... 132/161  
D332,505 S 1/1993 Ward

**1 Claim, 1 Drawing Sheet**



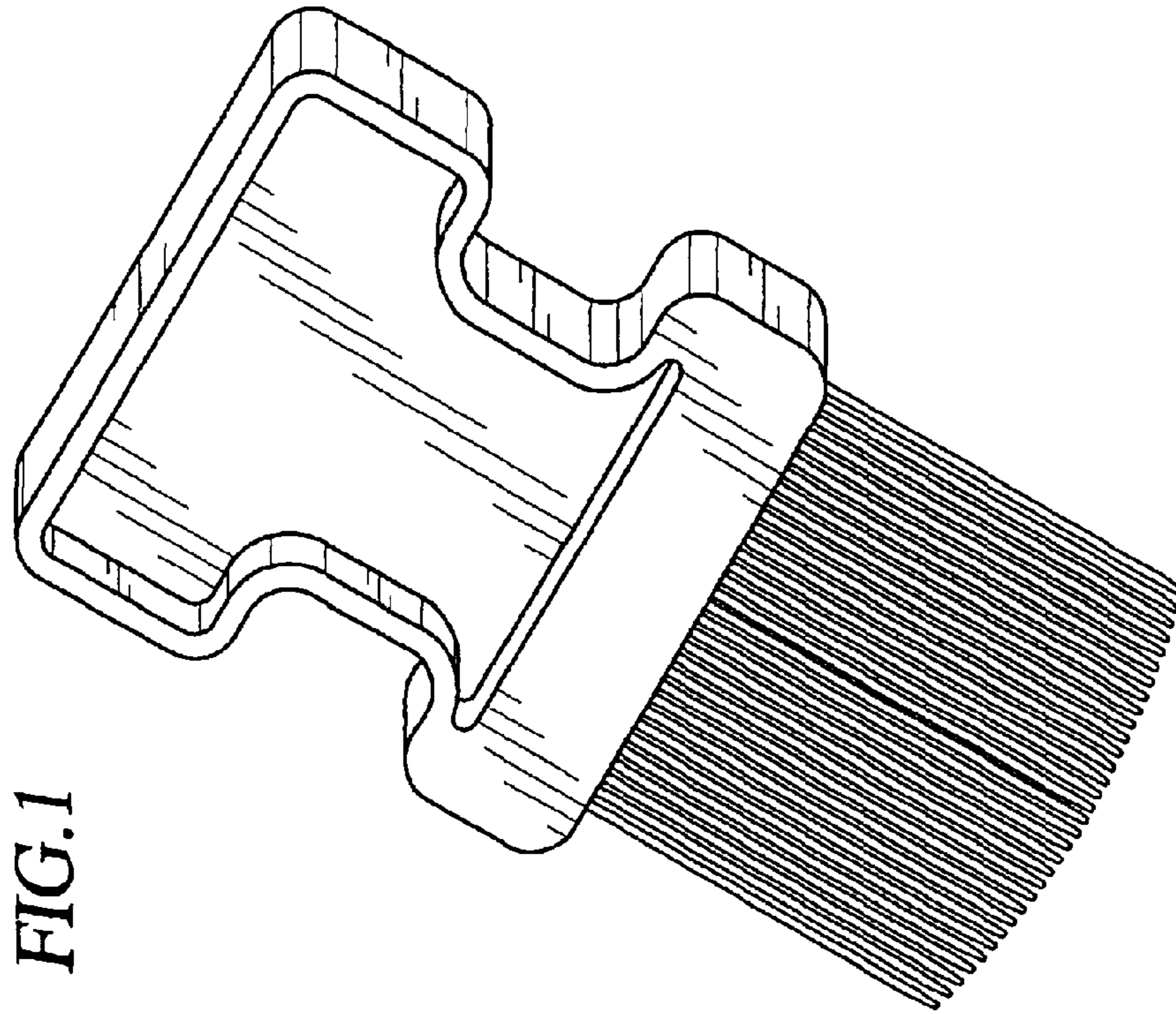


FIG. 1

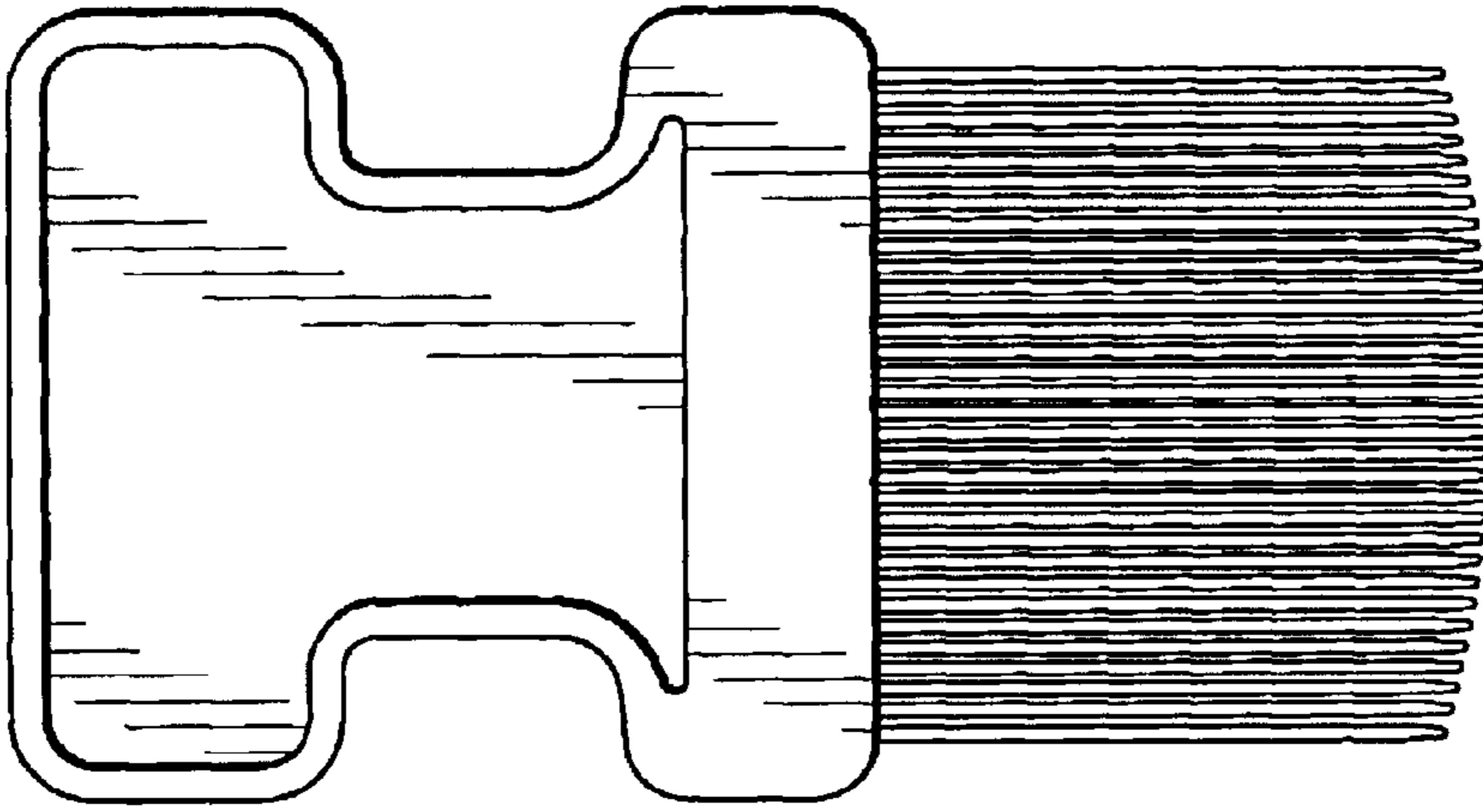


FIG. 2



FIG. 3



FIG. 4



FIG. 5