

US00D493568S1

(12) **United States Design Patent** (10) **Patent No.:** **US D493,568 S**
Parres (45) **Date of Patent:** **** Jul. 27, 2004**

(54) **LIGHTING FIXTURE SUPPORT**

(75) Inventor: **Miguel Parres**, Alta Loma, CA (US)

(73) Assignee: **Minka Lighting, Inc.**, Corona, CA (US)

(**) Term: **14 Years**

(21) Appl. No.: **29/190,988**

(22) Filed: **Sep. 29, 2003**

(51) **LOC (7) Cl.** **26-99**

(52) **U.S. Cl.** **D26/143**

(58) **Field of Search** D26/72, 80-84,
D26/141-143; 362/147, 404-408, 431,
432

(56) **References Cited**

U.S. PATENT DOCUMENTS

D134,482 S	*	12/1942	Ganger	D26/81
D373,002 S	*	8/1996	Porter	D26/81
D373,213 S	*	8/1996	Porter	D26/84

OTHER PUBLICATIONS

LampsPlus.com (1 page):“S-Rail With Blue Opal Glass” #62464; Found online at lampsplus.com on Mar. 17, 2004.*
 Bellacor.com(c)2000-2003 (3 pages): “Mission 3 Light Pewter Trestle Light” #20647; “Chesapeake Trestle Pendant” #39205; “Convertible Lantern Island Trestle” #34958.*
 Illuminotechnica Nov./Dec. 1997 (1 page): trestle pendant lamp in top right of p. 49.*
 Minka Aire Two Thousand Three; p. 297; #74-84, 74-44, 74-66, Jan. 2003, Minka Lighting, Inc. USA.
 Chandelier 10 Light Incandescent; # 2042NI, Oct. 2003, Kichler, Inc.

Chandelier 4 Light Incandescent; # 2041NI, Oct. 2003, Kichler, Inc.

Pendant 3 Light Incandescent; # 3041BK, Oct. 2003, Kichler, Inc.

Pendant 1 Light Incandescent; # 2640BK, Oct. 2003, Kichler, Inc.

Pendant 1 Light Incandescent; # 2643NI, Oct. 2003, Kichler, Inc.

* cited by examiner

Primary Examiner—Clare E Heflin

(74) *Attorney, Agent, or Firm*—Jenkins & Gilchrist, P.C.

(57) **CLAIM**

The ornamental design for the lighting fixture support, as shown and described.

DESCRIPTION

FIG. 1 is a perspective view from below of a lighting fixture support in accordance with my design, shown in its environment;

FIG. 2 is a perspective view from above of the lighting fixture support in accordance with my design, shown in its environment;

FIG. 3 is a top plan view of the lighting fixture support in accordance with my design, shown in its environment;

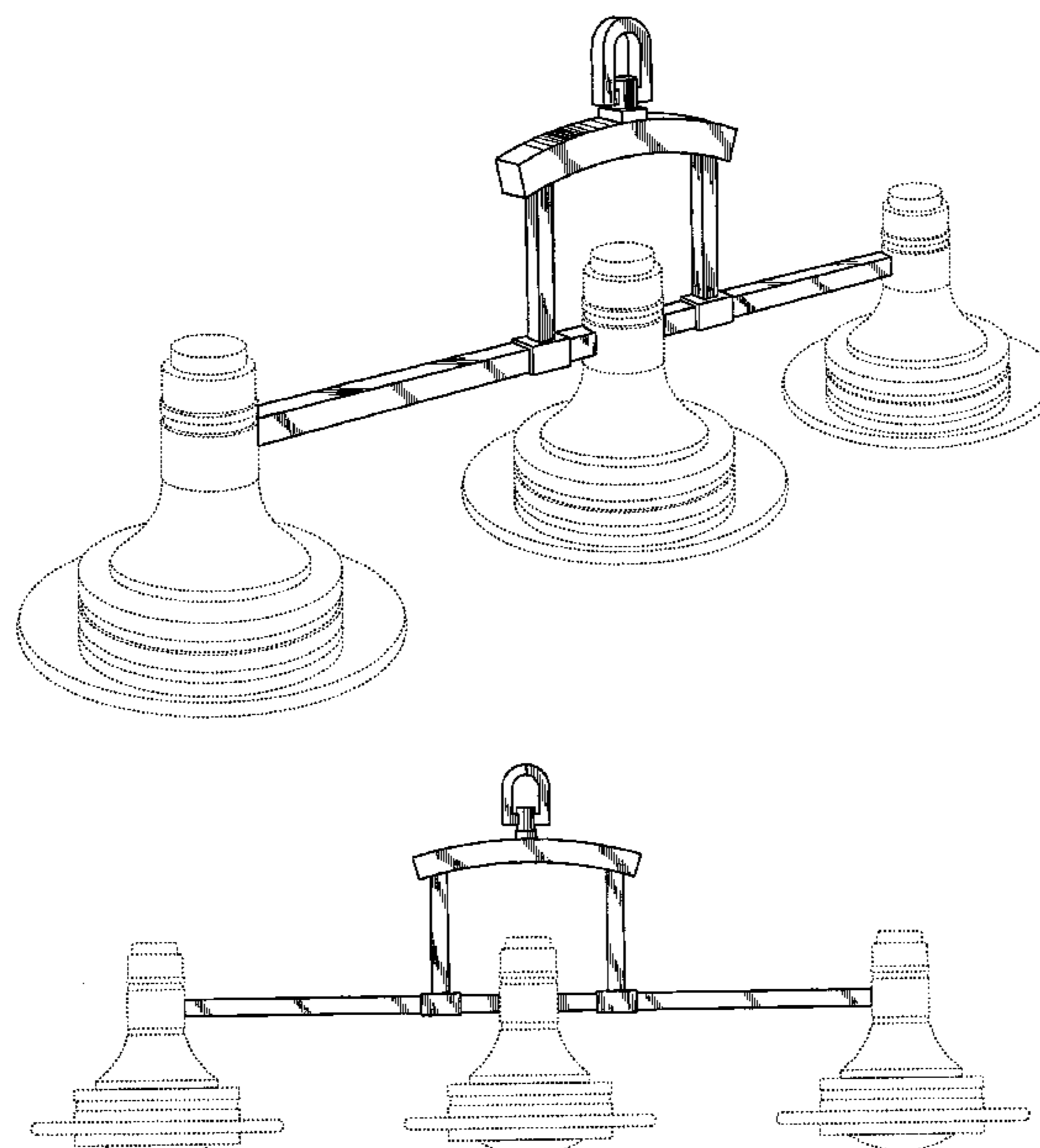
FIG. 4 is a front elevation view of the lighting fixture support in accordance with my design, shown in its environment;

FIG. 5 is a bottom plan view of the lighting fixture support in accordance with my design, shown in its environment; and,

FIG. 6 is a side elevation view of the lighting fixture support in accordance with my design, shown in its environment.

The broken lines showing environmental structure are for illustrative purposes and form no part of the claimed design.

1 Claim, 4 Drawing Sheets



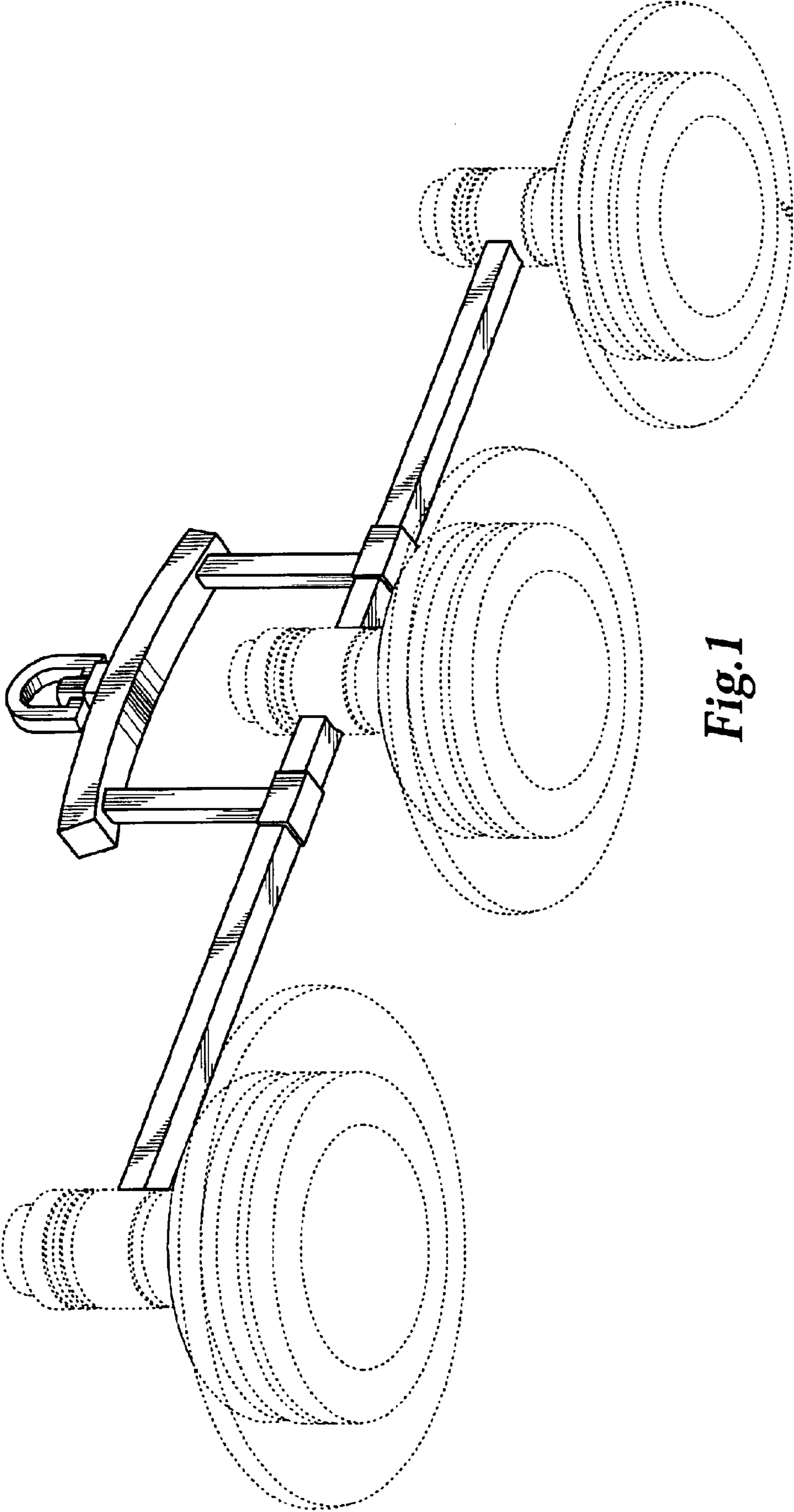


Fig. 1

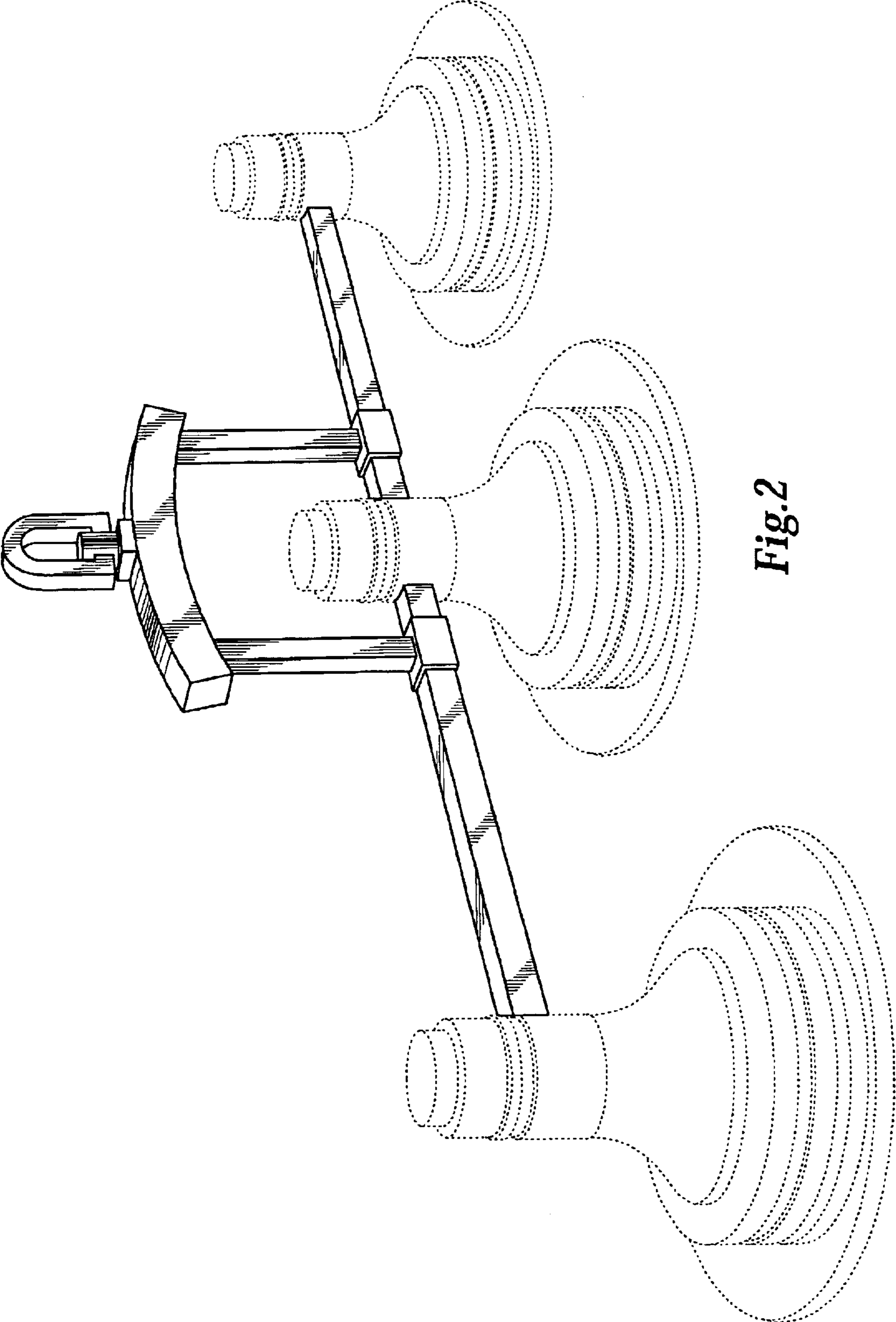


Fig. 2

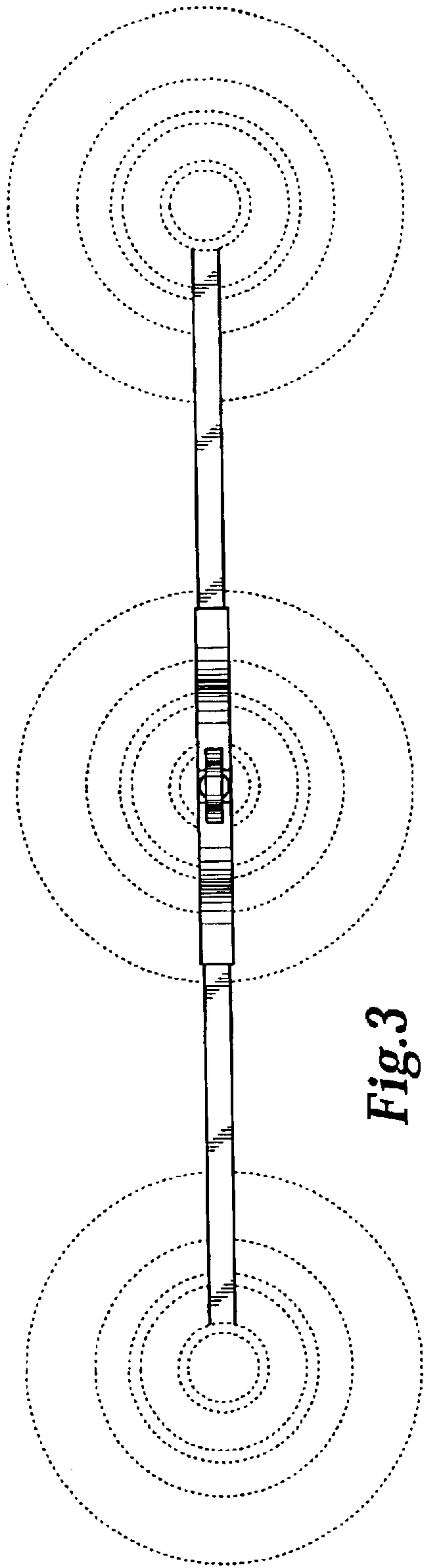


Fig. 3

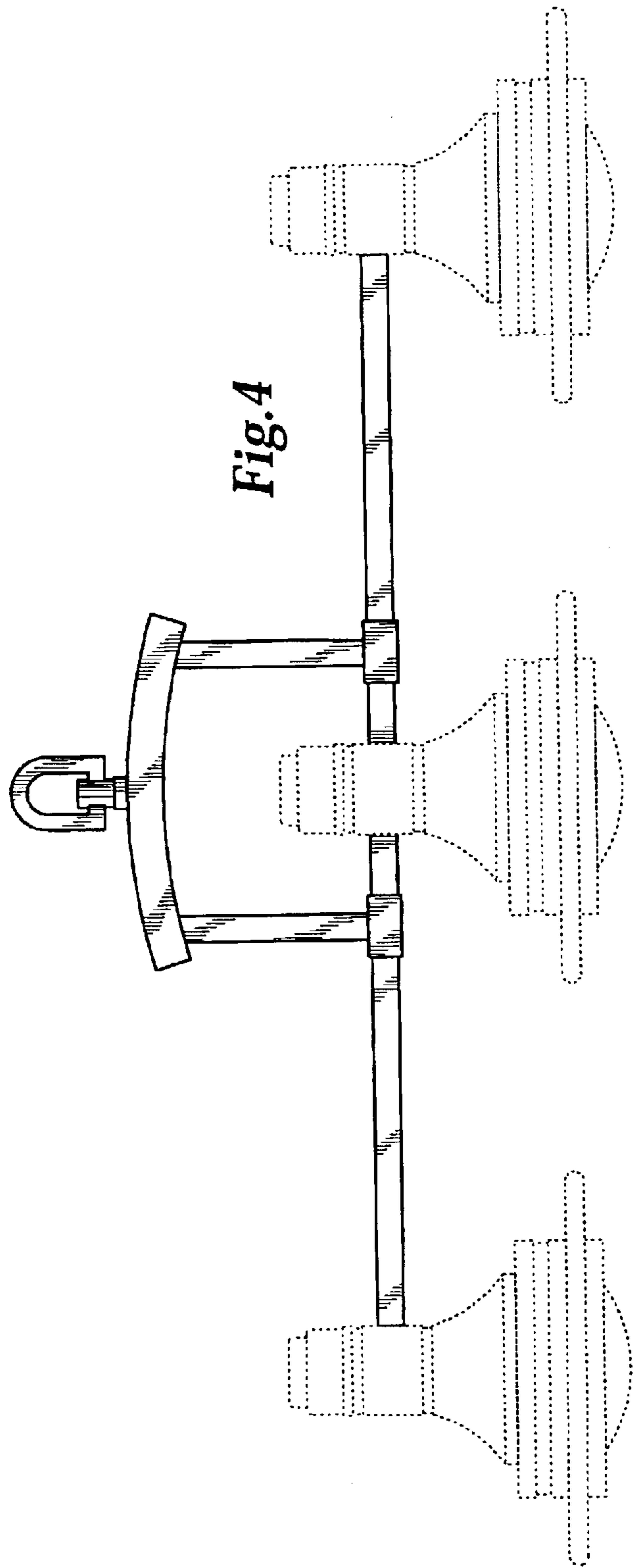


Fig. 4

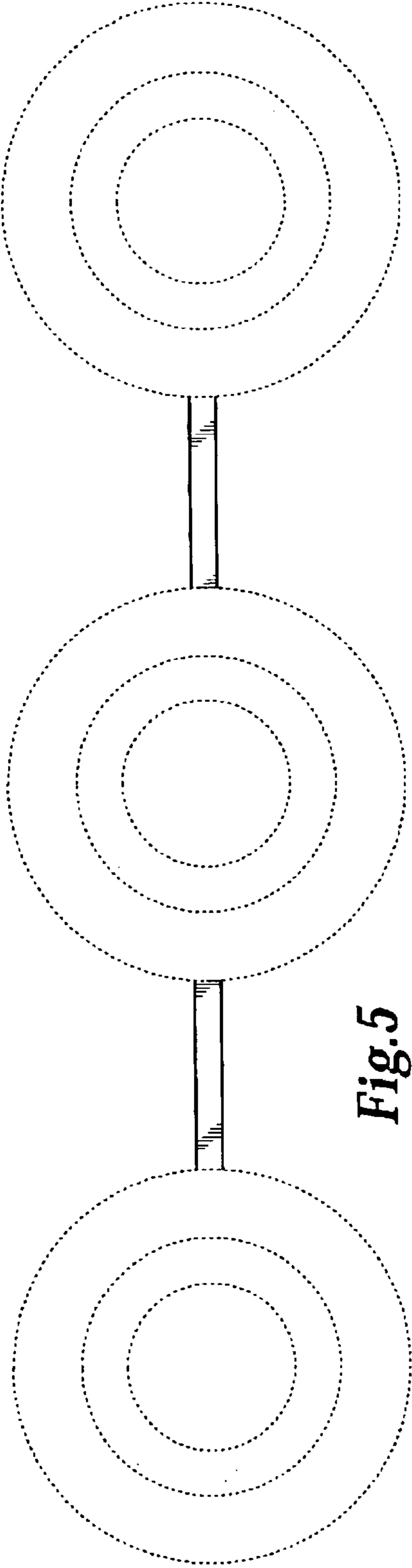


Fig. 5

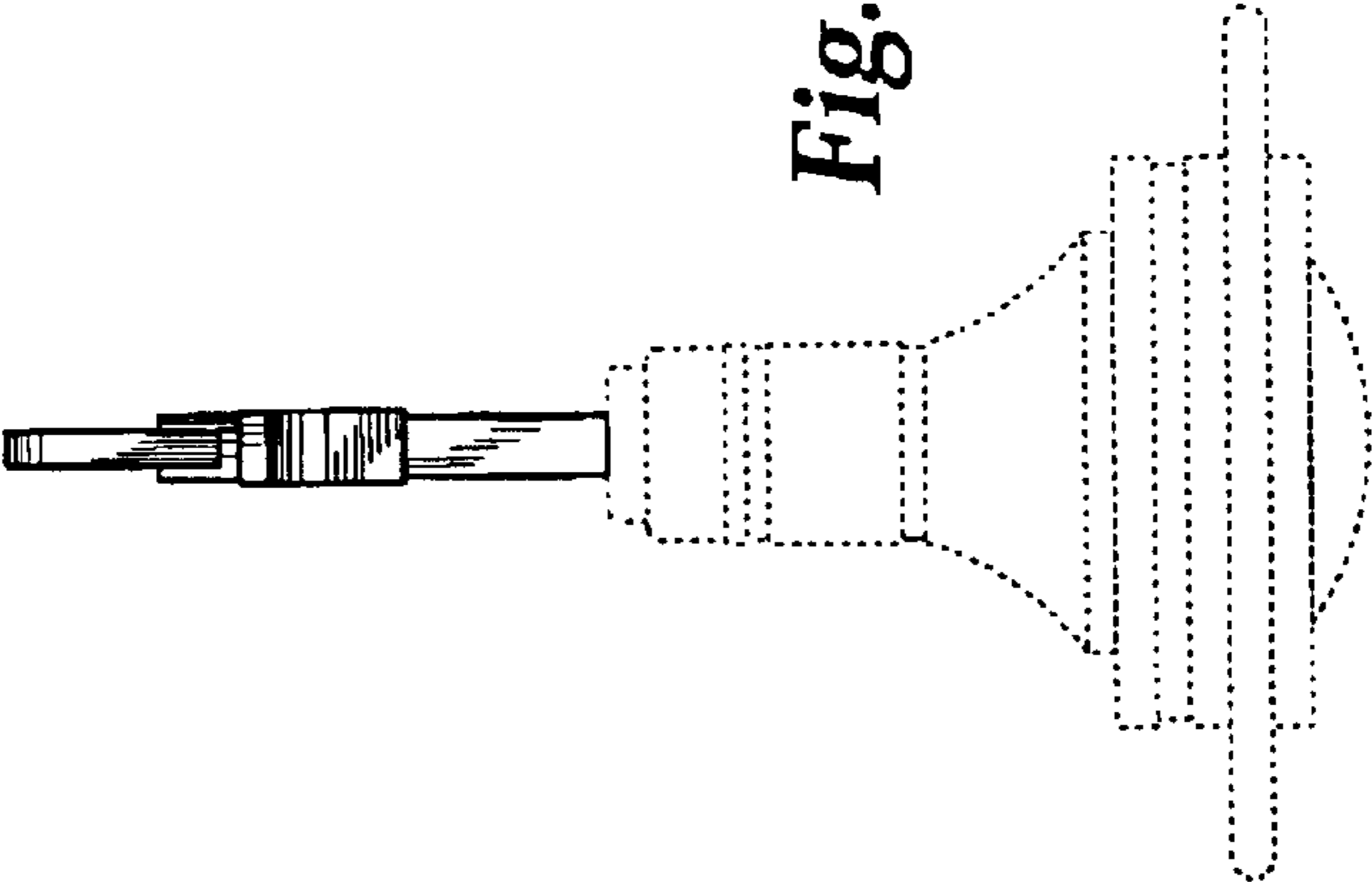


Fig. 6