

US00D493564S1

(12) **United States Design Patent** (10) **Patent No.:** **US D493,564 S**  
**Dolan** (45) **Date of Patent:** **\*\* Jul. 27, 2004**

(54) **COMBINED TORCHIERE LAMP AND ADJUSTABLE ACCENT LIGHTS**

D459,527 S 6/2002 Dolan  
D459,528 S 6/2002 Dolan  
D459,529 S 6/2002 Dolan  
D459,829 S 7/2002 Dolan

(76) Inventor: **Patrick S. Dolan**, 1901 NW. Upshur, Portland, OR (US) 97209

(\*\*) Term: **14 Years**

(21) Appl. No.: **29/165,663**

(22) Filed: **Aug. 13, 2002**

(51) **LOC (7) Cl.** ..... **26-03**

(52) **U.S. Cl.** ..... **D26/102**

(58) **Field of Search** ..... D26/61-66, 93-112, D26/145; 362/410-414, 275, 277, 281, 283, 285, 427, 428, 430, 431

(56) **References Cited**

**U.S. PATENT DOCUMENTS**

D47,597 S	*	7/1915	Jones	.....	D26/145
D180,251 S		5/1957	Stiffel		
5,221,141 A		6/1993	Swanson		
D347,904 S		6/1994	Swanson		
D353,904 S		12/1994	Swanson		
D370,286 S		5/1996	Swanson		
D377,539 S		1/1997	Swanson		
D380,849 S		7/1997	Swanson		
D381,105 S		7/1997	Swanson		
D381,759 S		7/1997	Yeh		
D393,731 S		4/1998	Swanson		
D426,909 S		6/2000	Swanson		
D427,358 S		6/2000	Swanson		
D427,359 S		6/2000	Swanson		
D427,360 S		6/2000	Swanson		
D427,710 S		7/2000	Swanson		
D429,841 S		8/2000	Swanson		
D432,704 S		10/2000	Swanson		
D448,107 S		9/2001	Swanson		
D450,876 S		11/2001	Dolan		
D451,232 S		11/2001	Dolan		
D453,049 S		1/2002	Swanson		
D453,231 S		1/2002	Swanson		
D453,232 S		1/2002	Swanson		
D453,582 S		2/2002	Swanson		
D459,016 S		6/2002	Swanson		
D459,017 S		6/2002	Dolan		
D459,018 S		6/2002	Dolan		

**OTHER PUBLICATIONS**

Grandrich, Cerritos, CA Cat. 1999 p. 49 Model G-1107.  
Trend Lighting Corp, Arcadia, CA Cat. 1997, # 151597 p. 3 Model TF 5818.  
Kenroy, Jacksonville, FL Cat. 2000 p. 28 Model 20566 BS.  
Kenroy, Jacksonville, FL Cat. 2000 p. 26 Model 20545 BL.  
Kenroy Jacksonville, FL Cat. 2000 p. 39 Model 20515 BB.  
Kenroy Jacksonville, FL Cat. 1998 p. 51 Model 20711 BS.  
The Light Stuff, NY, NY Cat. 1998 p. 4 Model 7504.  
Lite Source, Chino, CA Cat. 1998 p. S-262 Model LS-9434.  
Kenroy, Jacksonville, FL Accessory Supplement 2001 p. 37 Model 20827 BL.  
Diamond Classics, Arcadia, CA Cat. 1993 p. 24 Model D5561-07.  
Adesso Lighting, NY, NY Cat. 1997, p. 19 Model 1122.  
Adesso, NY, NY Cat. 1997 Suppl. 1997 p. 3 Model 7504.  
Adesso, NY, NY Cat. 1996-1997 p. 9 Model 1121.  
Diamond Classics, Arcadia, CA Cat. 1993 p. 27 Model D5560-07.

\* cited by examiner

*Primary Examiner*—Alan P. Douglas  
*Assistant Examiner*—Linda Brooks

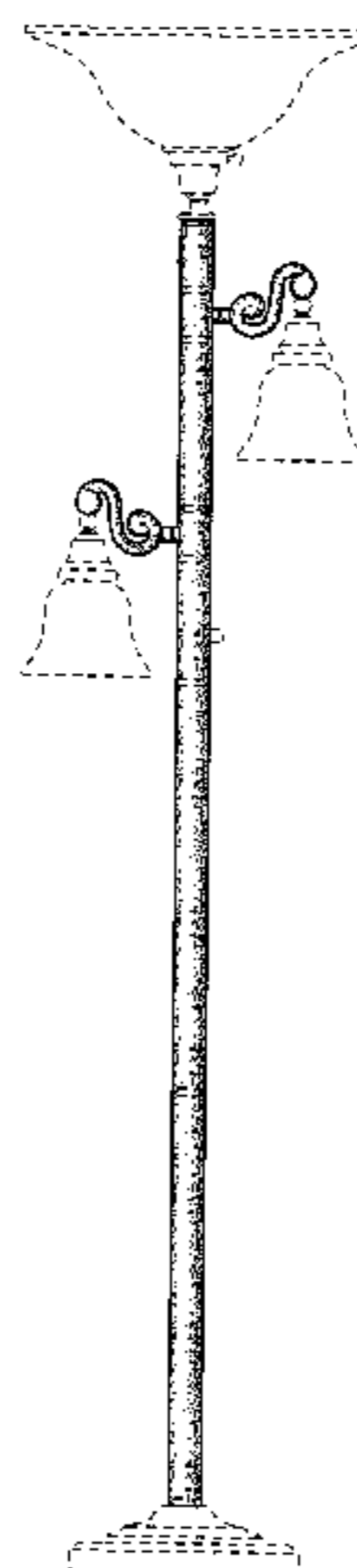
(57) **CLAIM**

The ornamental design for a combined torchiere lamp and adjustable accent lights, as shown and described.

**DESCRIPTION**

FIG. 1 is a full front elevational view thereof;  
FIG. 2 is an enlarged fragmentary perspective view, for clarity of illustration;  
FIG. 3 is an enlarged fragmentary front elevational view, the back view being a mirror image;  
FIG. 4 is a right side view of FIG. 2;  
FIG. 5 is a left side view of FIG. 2; and,  
FIG. 6 is a bottom plan view of FIG. 2.  
The broken line showing of environmental structure in FIGS. 1-6 is for illustrative purposes only and form no part of the claimed design.

**1 Claim, 6 Drawing Sheets**



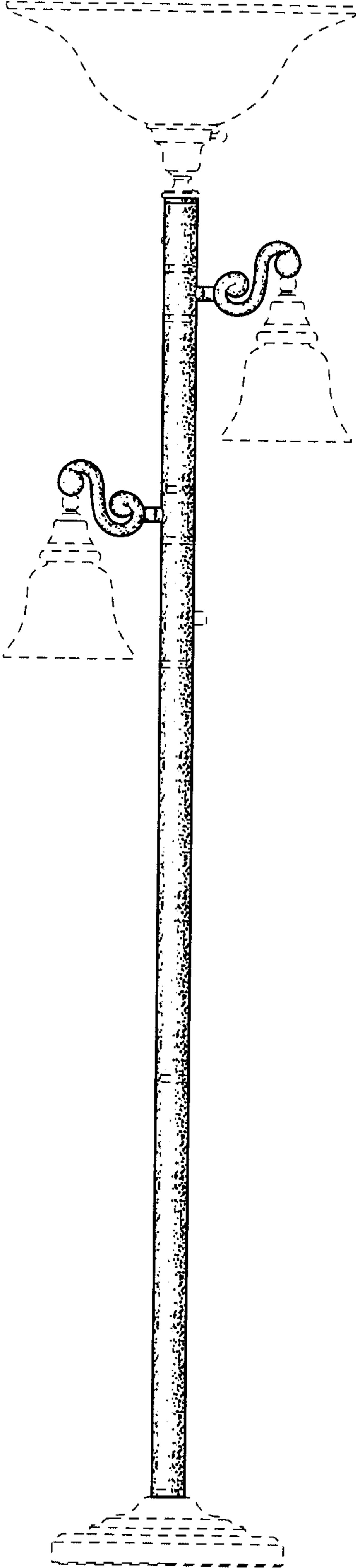


FIG. 1

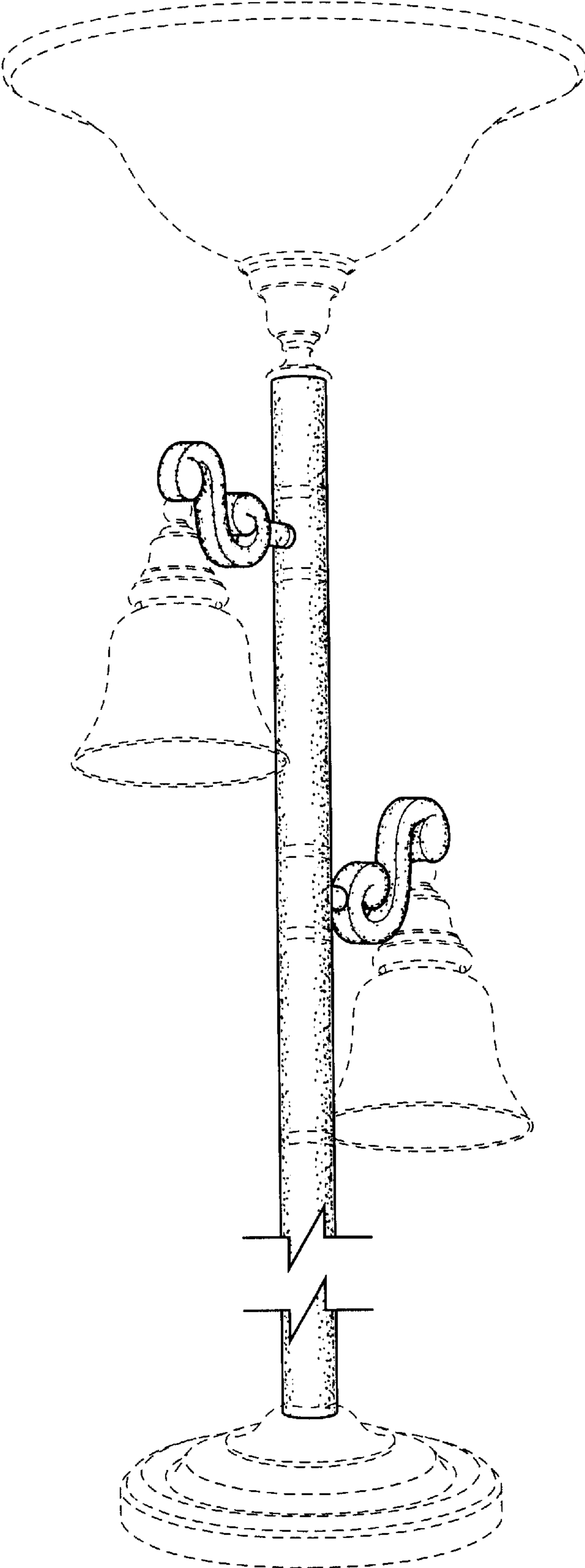


FIG. 2

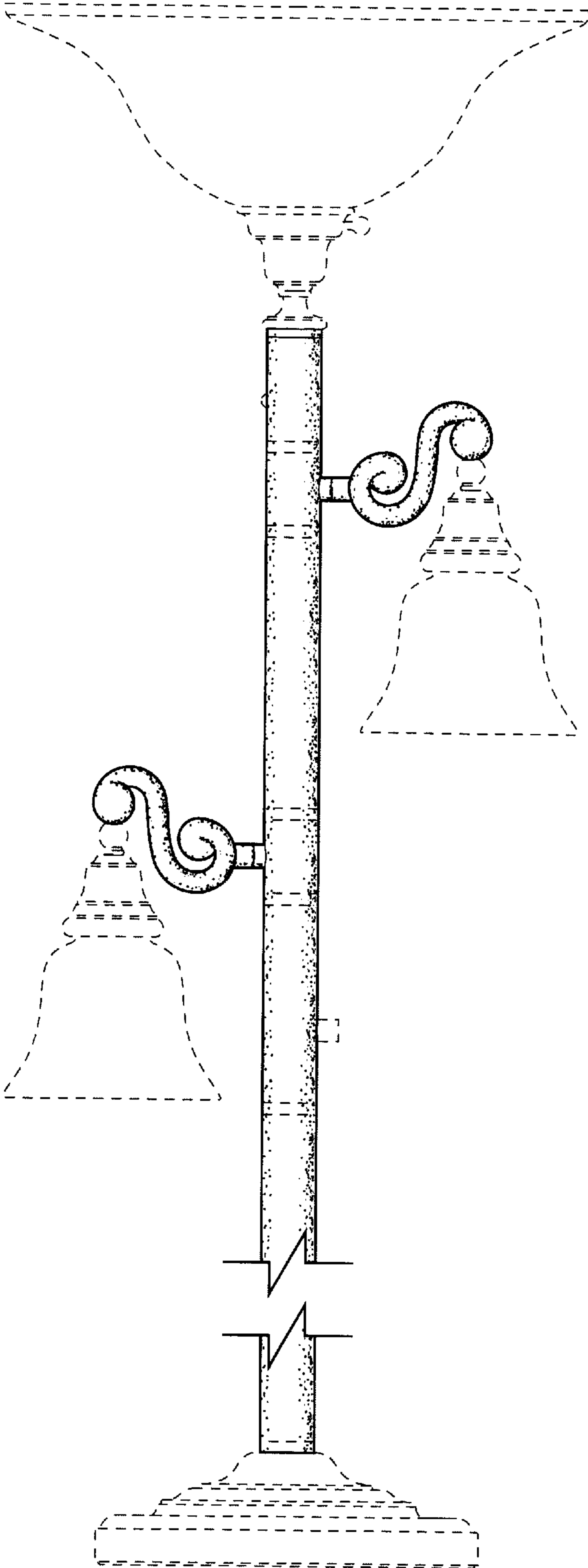


FIG. 3

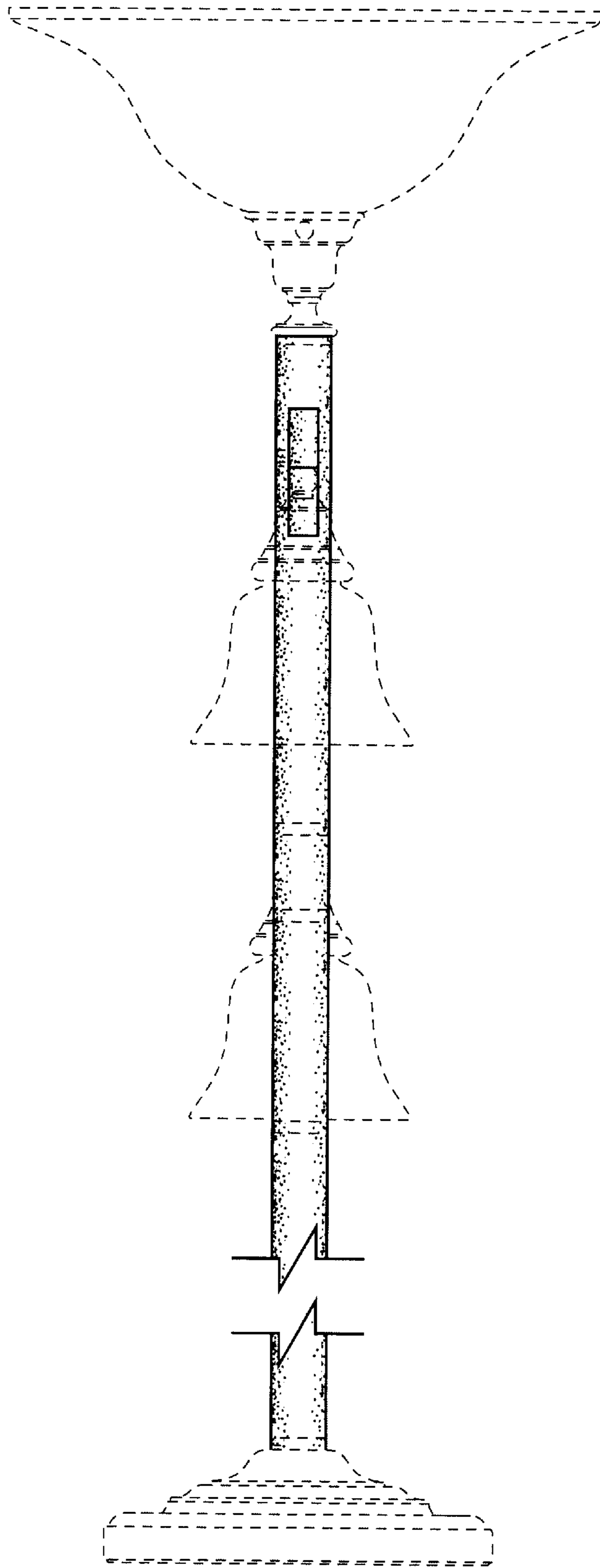


FIG. 4

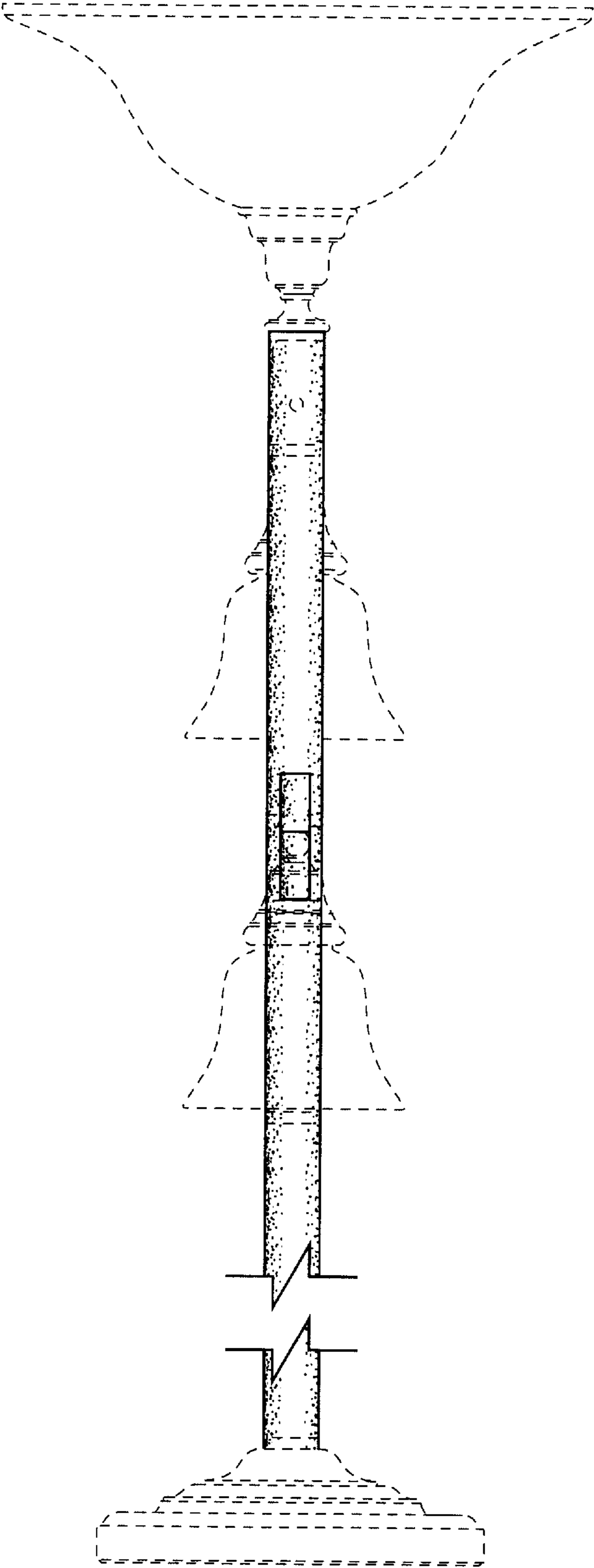
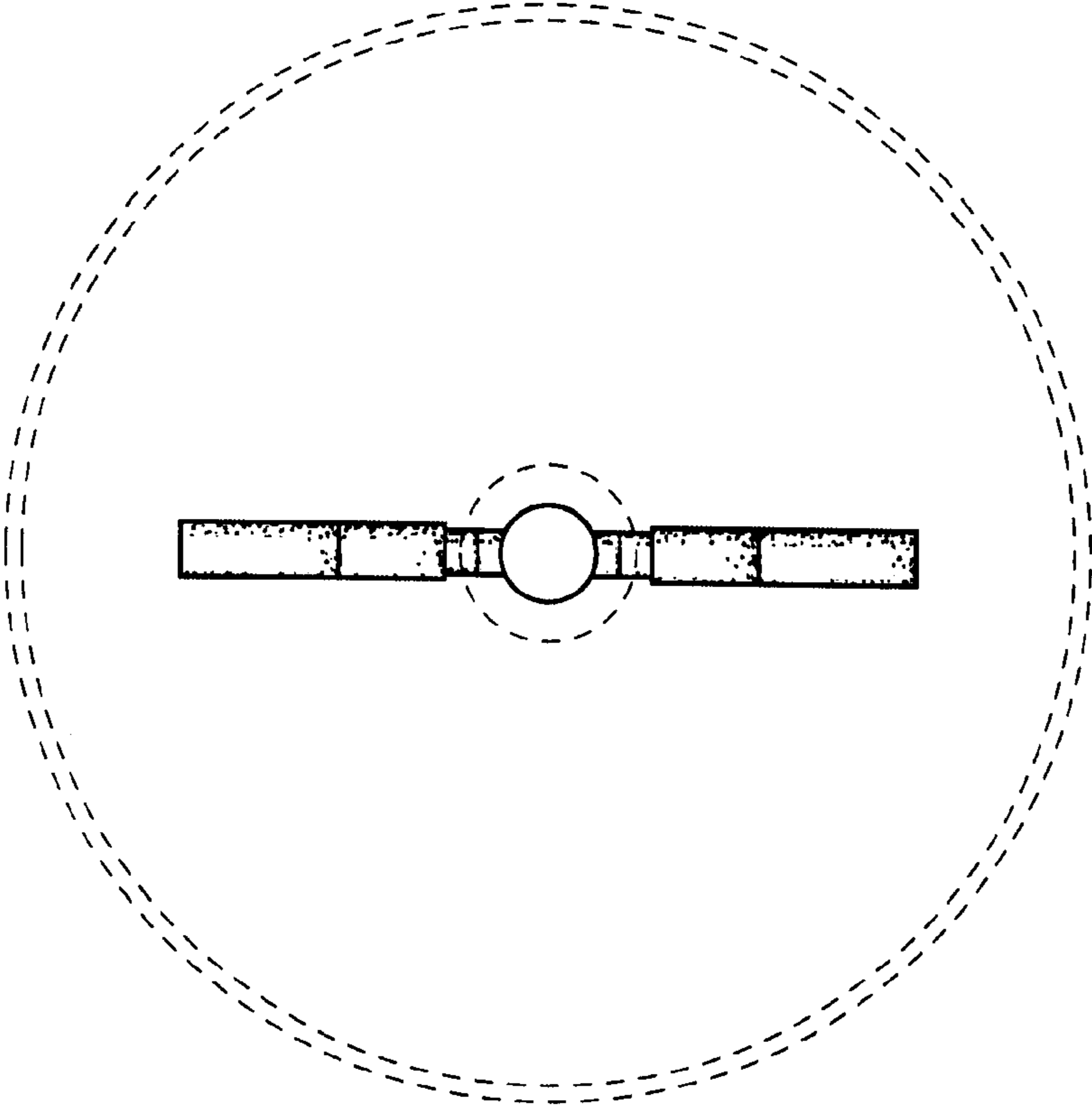


FIG. 5



**FIG. 6**