

US00D493563S1

(12) **United States Design Patent**
Sehl

(10) **Patent No.:** **US D493,563 S**
(45) **Date of Patent:** **** Jul. 27, 2004**

(54) **INTERIOR ILLUMINATED LAMP IN THE SHAPE OF A BUTTERFLY**

(75) Inventor: **Michael Sehl**, Rochester, MN (US)

(73) Assignee: **Schl Productions, Inc.**, St. Paul, MN (US)

(**) Term: **14 Years**

(21) Appl. No.: **29/175,155**

(22) Filed: **Jan. 31, 2003**

(51) **LOC (7) Cl.** **26-03**

(52) **U.S. Cl.** **D26/98**

(58) **Field of Search** D26/94, 98, 104;
362/410-414, 806, 808; 428/16; D21/626,
627, 650; D11/137, 162; 446/268

(56) **References Cited**

U.S. PATENT DOCUMENTS

D80,126 S * 12/1929 Kornblum D26/98
D80,473 S * 2/1930 Alosis D26/98
5,829,862 A * 11/1998 Ferrell 362/806 X

OTHER PUBLICATIONS

Taiwan Lighting Aug. 2000, lamp No. DF-016 on p. 60.*

* cited by examiner

Primary Examiner—Alan P. Douglas

Assistant Examiner—Linda Brooks

(74) *Attorney, Agent, or Firm*—David Johnson

(57) **CLAIM**

The ornamental design for an interior illuminated lamp in the shape of a butterfly, as shown and described.

DESCRIPTION

FIG. 1 is a view in perspective of the present invention; FIG. 2 is a front view of the present invention; FIG. 3 is a top view of the present invention; FIG. 4 is a back view of the present invention; FIG. 5 is a left side view of the present invention; FIG. 6 is a right side view of the present invention; and, FIG. 7 is a bottom view of the present invention.

1 Claim, 2 Drawing Sheets

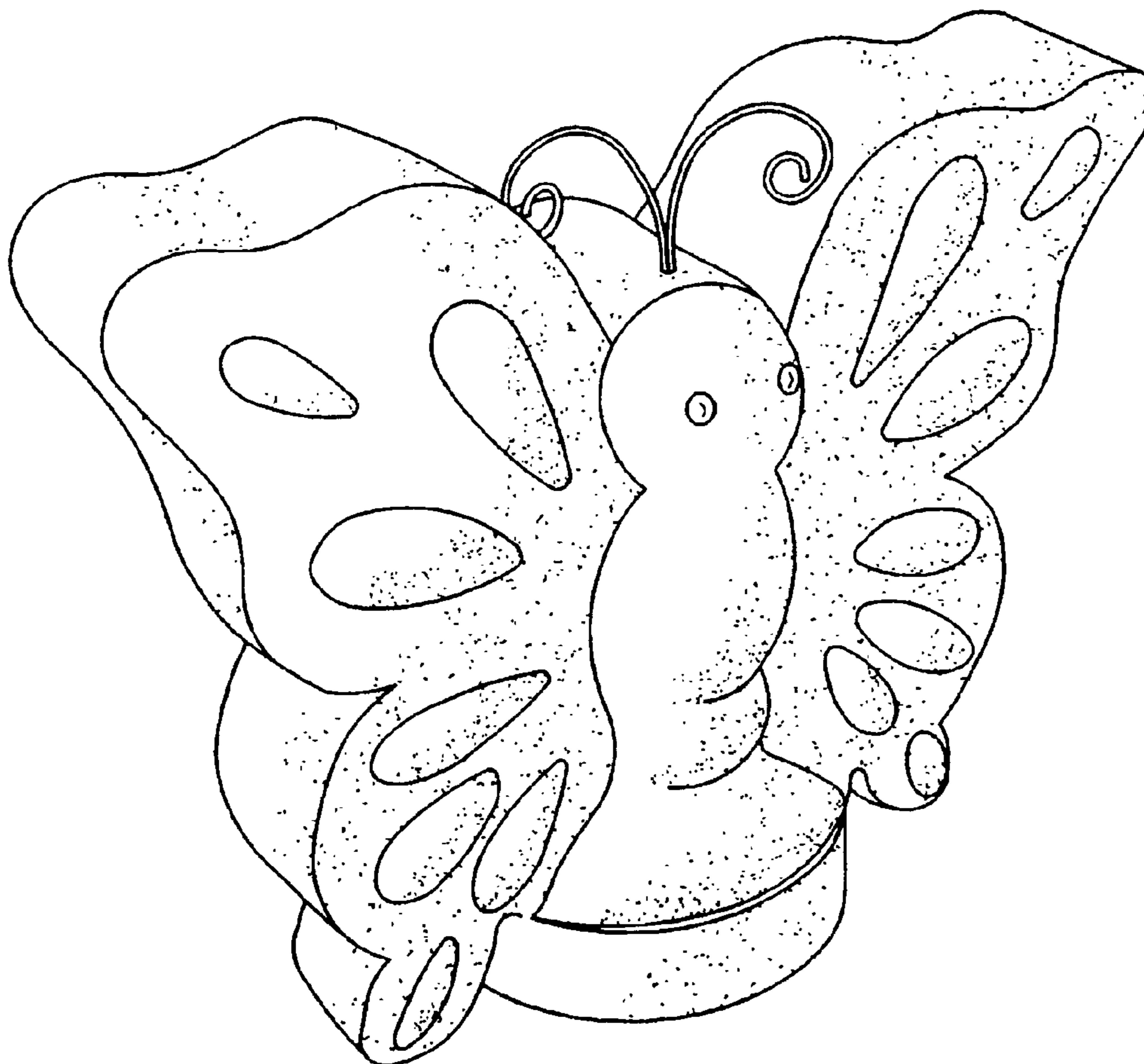




FIG. 1

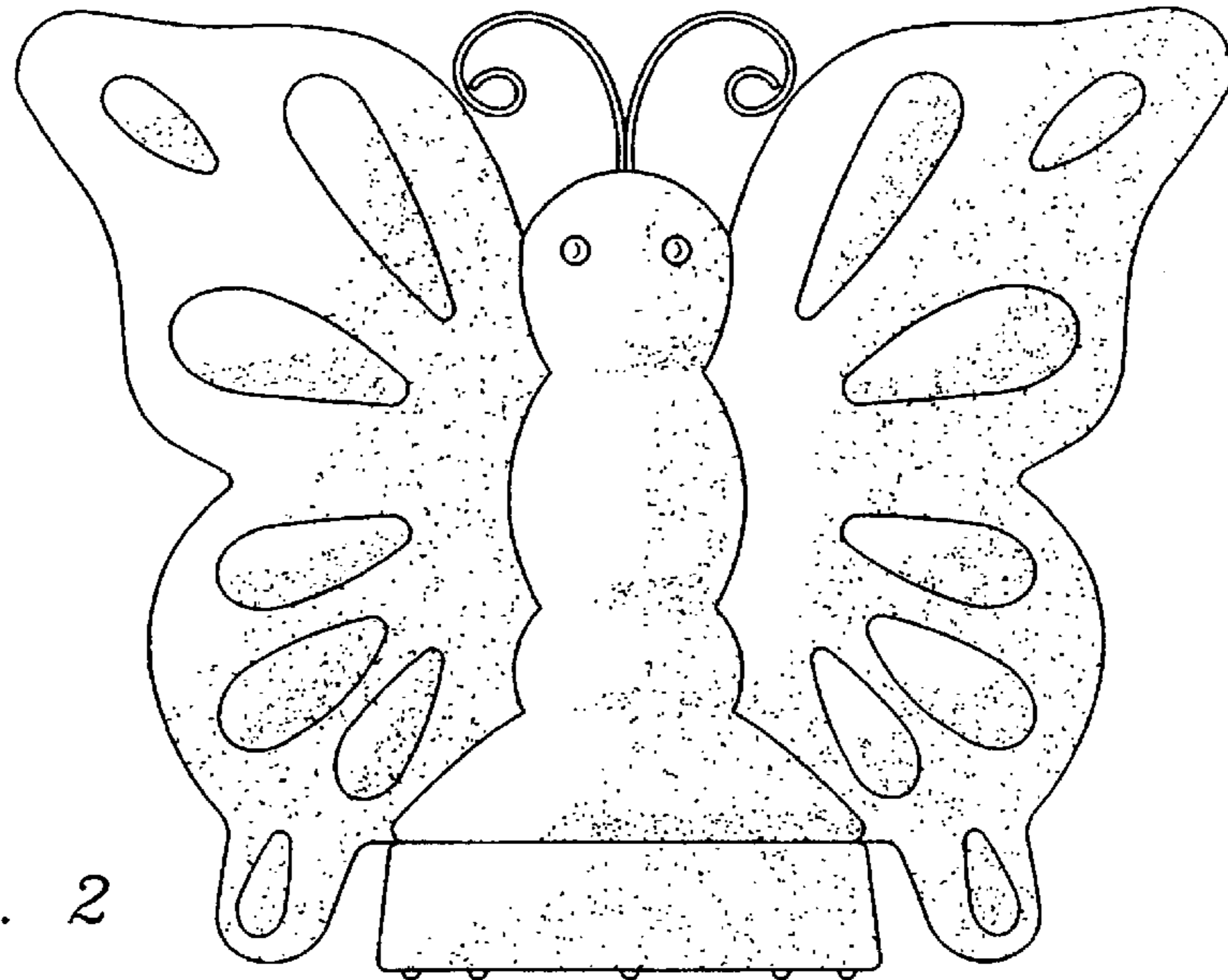


FIG. 2

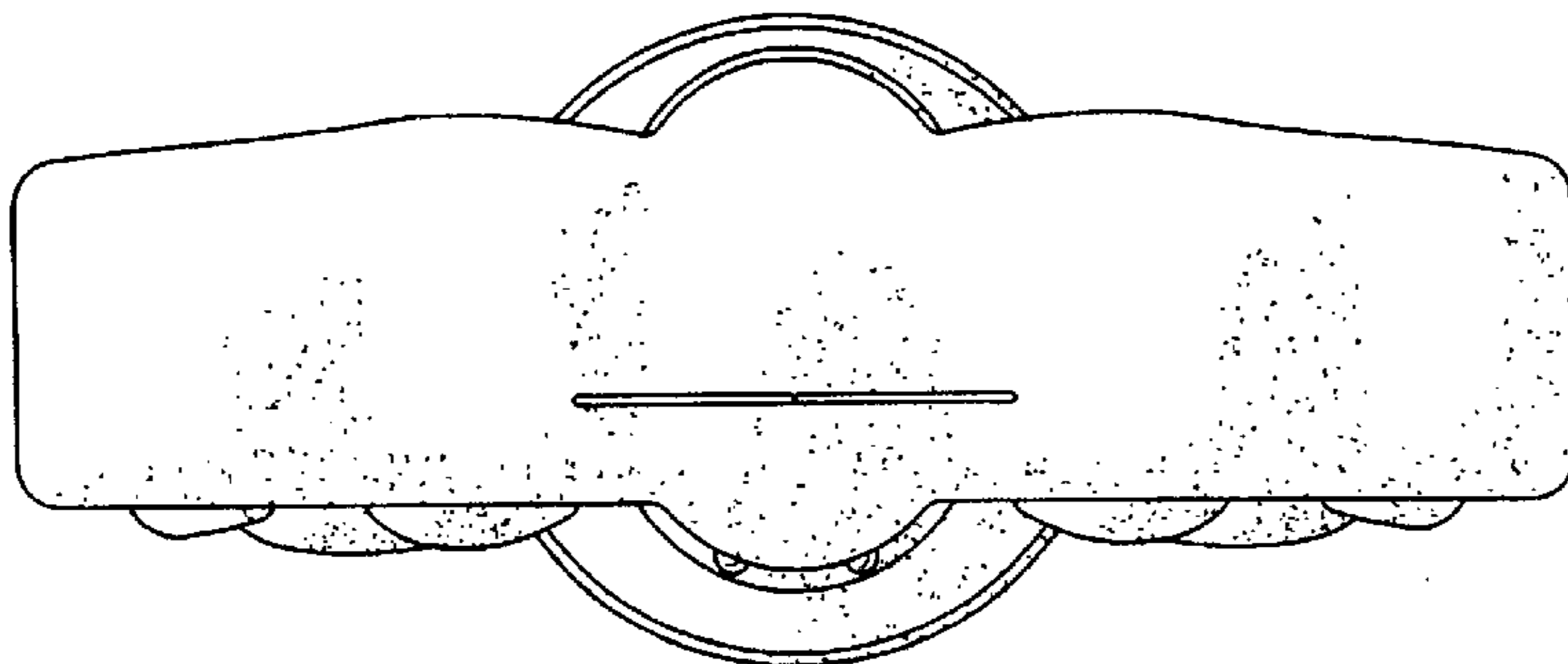


FIG. 3

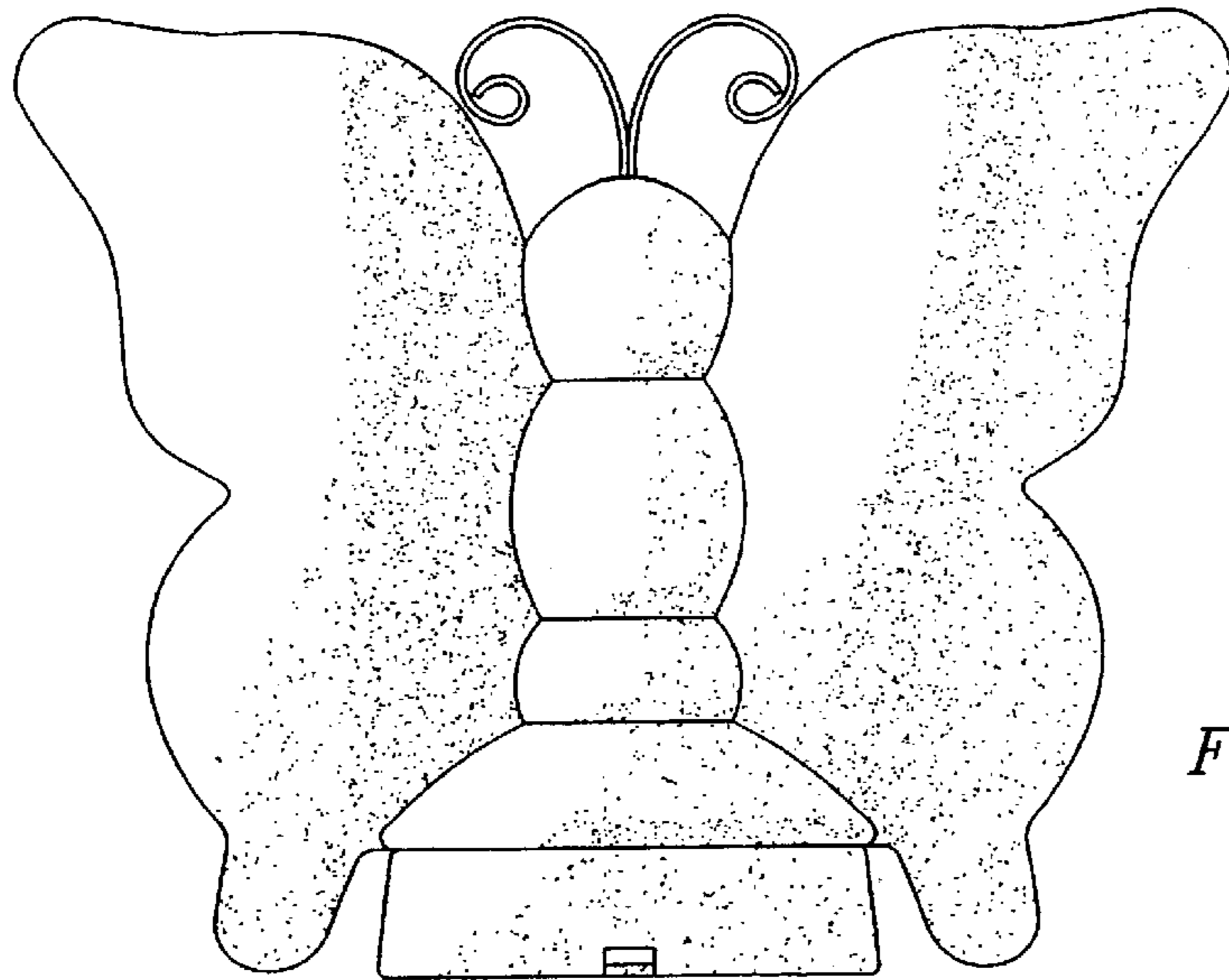


FIG. 4

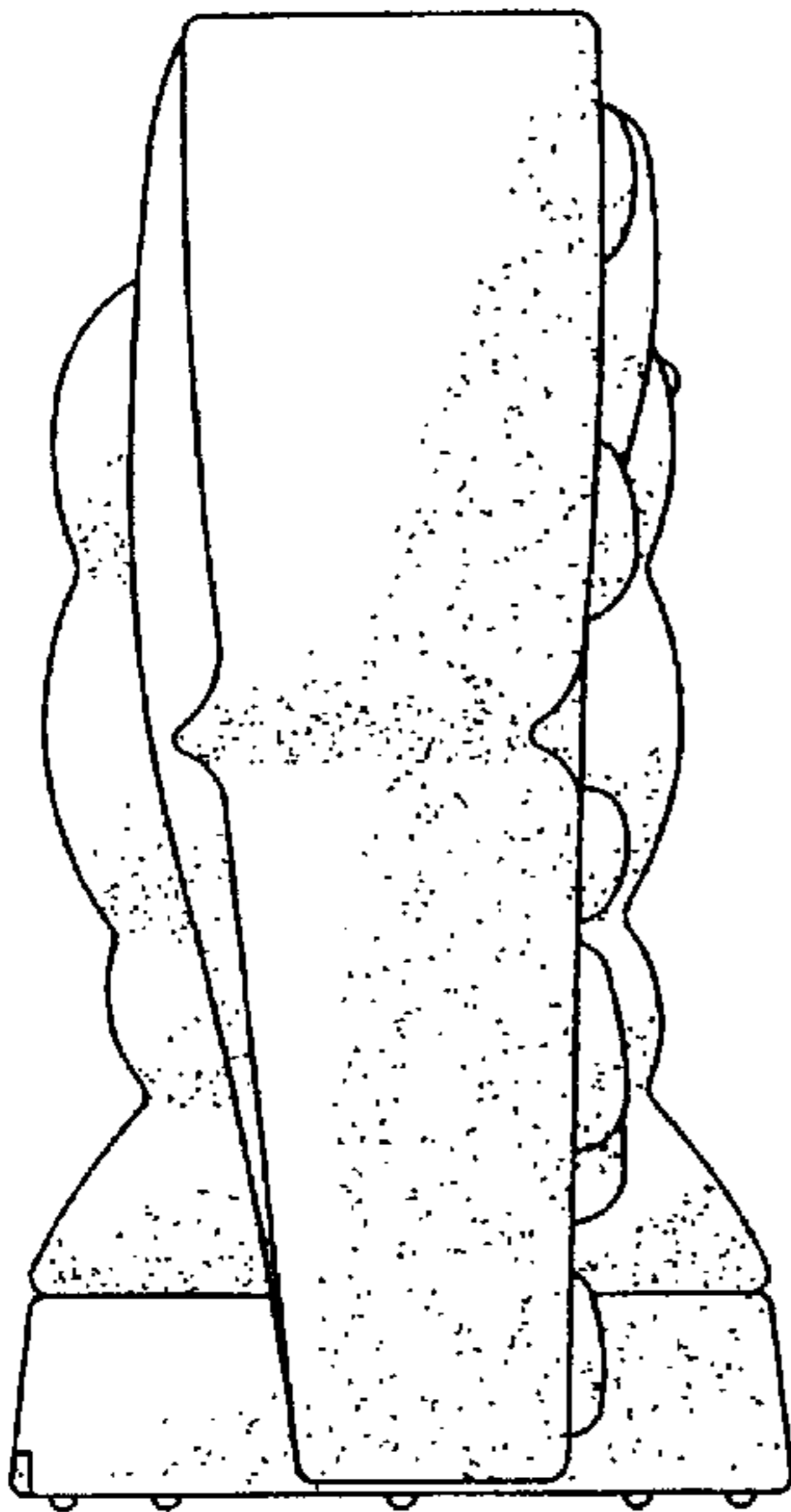


FIG. 5

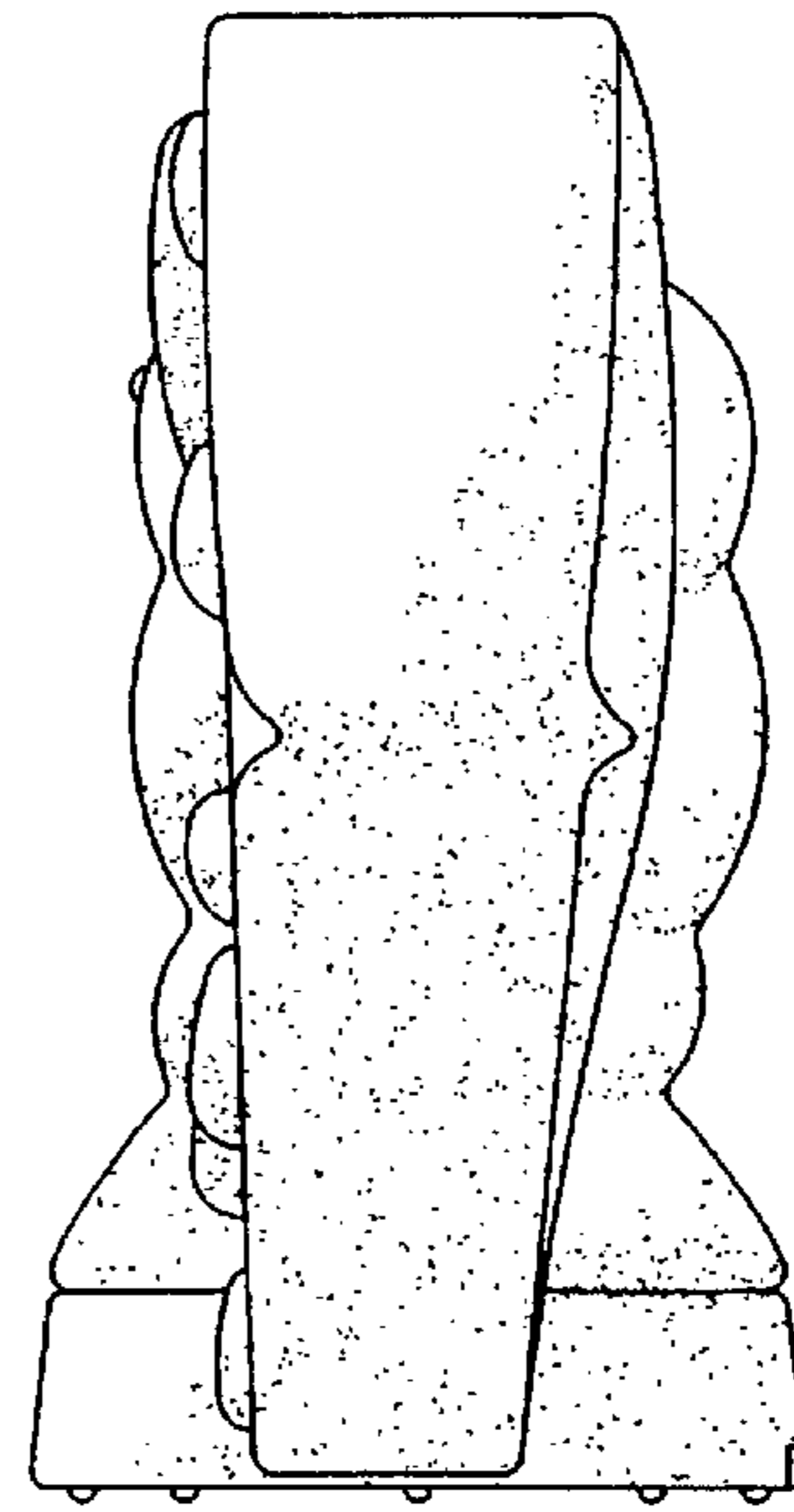


FIG. 6

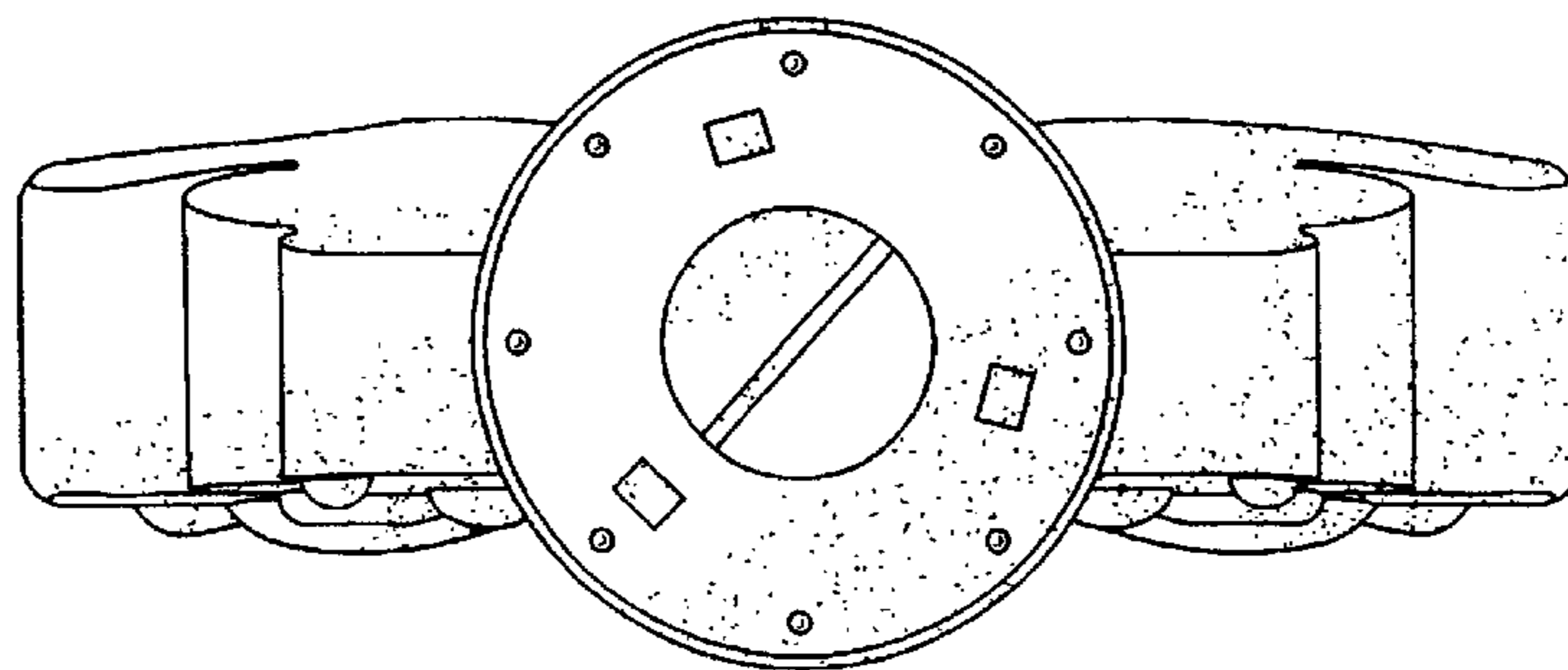


FIG. 7