

US00D493561S1

(12) **United States Design Patent**  
**Sehl**

(10) **Patent No.:** **US D493,561 S**  
(45) **Date of Patent:** **\*\* Jul. 27, 2004**

(54) **INTERIOR ILLUMINATED LAMP IN THE SHAPE OF A TRACTOR**

(75) Inventor: **Michael Gaffney Sehl**, Rochester, MN (US)

(73) Assignee: **Sehl Productions, Inc.**, St. Paul, MN (US)

(\*\*) Term: **14 Years**

(21) Appl. No.: **29/175,127**

(22) Filed: **Jan. 31, 2003**

(51) **LOC (7) Cl.** ..... **26-03**

(52) **U.S. Cl.** ..... **D26/97**

(58) **Field of Search** ..... D26/94, 97, 104; 362/410-414, 806; D21/431, 537; D15/10, 15, 22-26; 446/433-435, 427, 465, 470; D11/133, 163; 180/89.12, 900

(56) **References Cited**

**U.S. PATENT DOCUMENTS**

D238,955 S \* 2/1976 Peterson ..... D21/537

D294,872 S \* 3/1988 Earegood ..... D26/97

\* cited by examiner

*Primary Examiner*—Alan P. Douglas

*Assistant Examiner*—Linda Brooks

(74) *Attorney, Agent, or Firm*—David Johnson

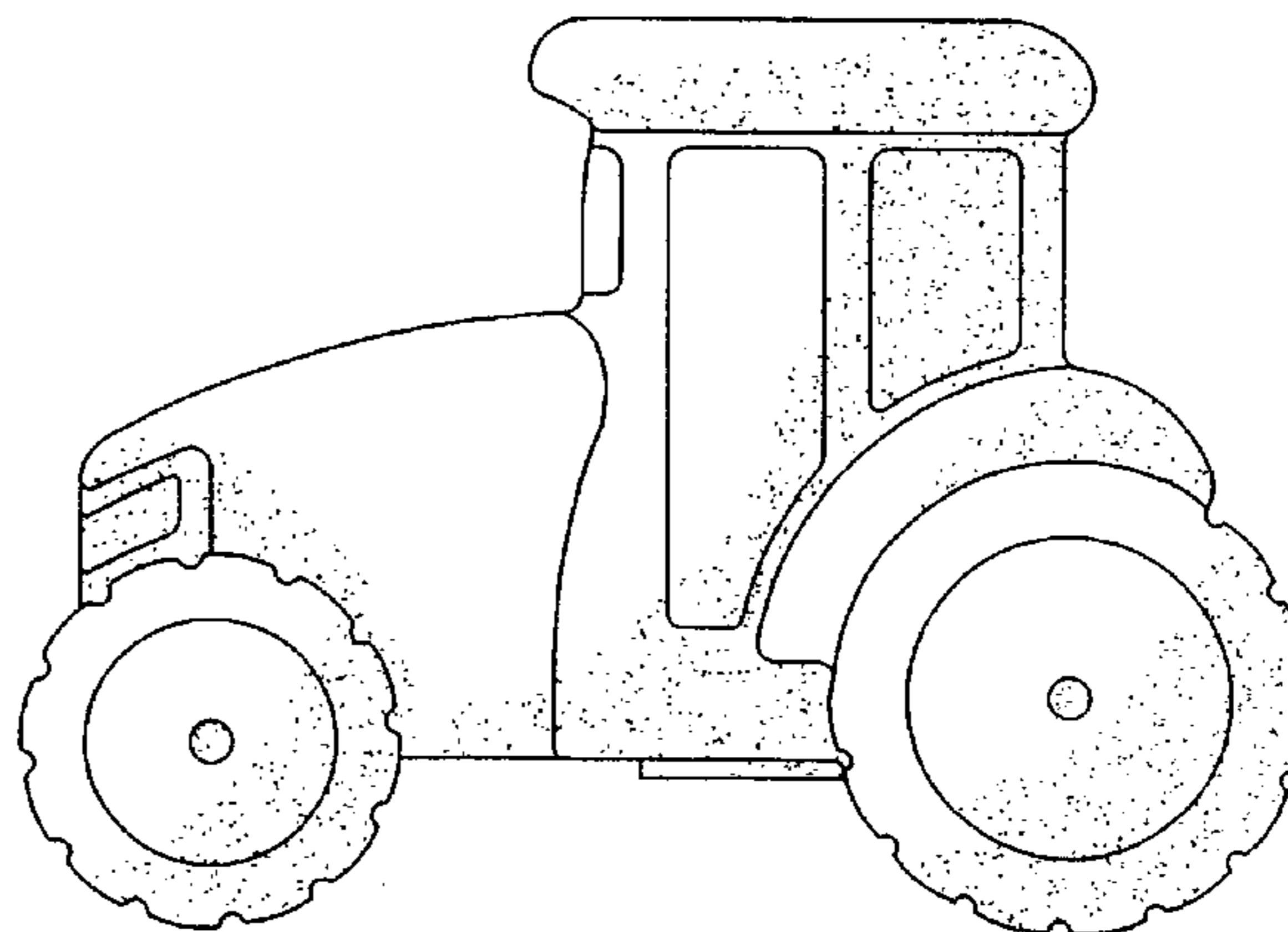
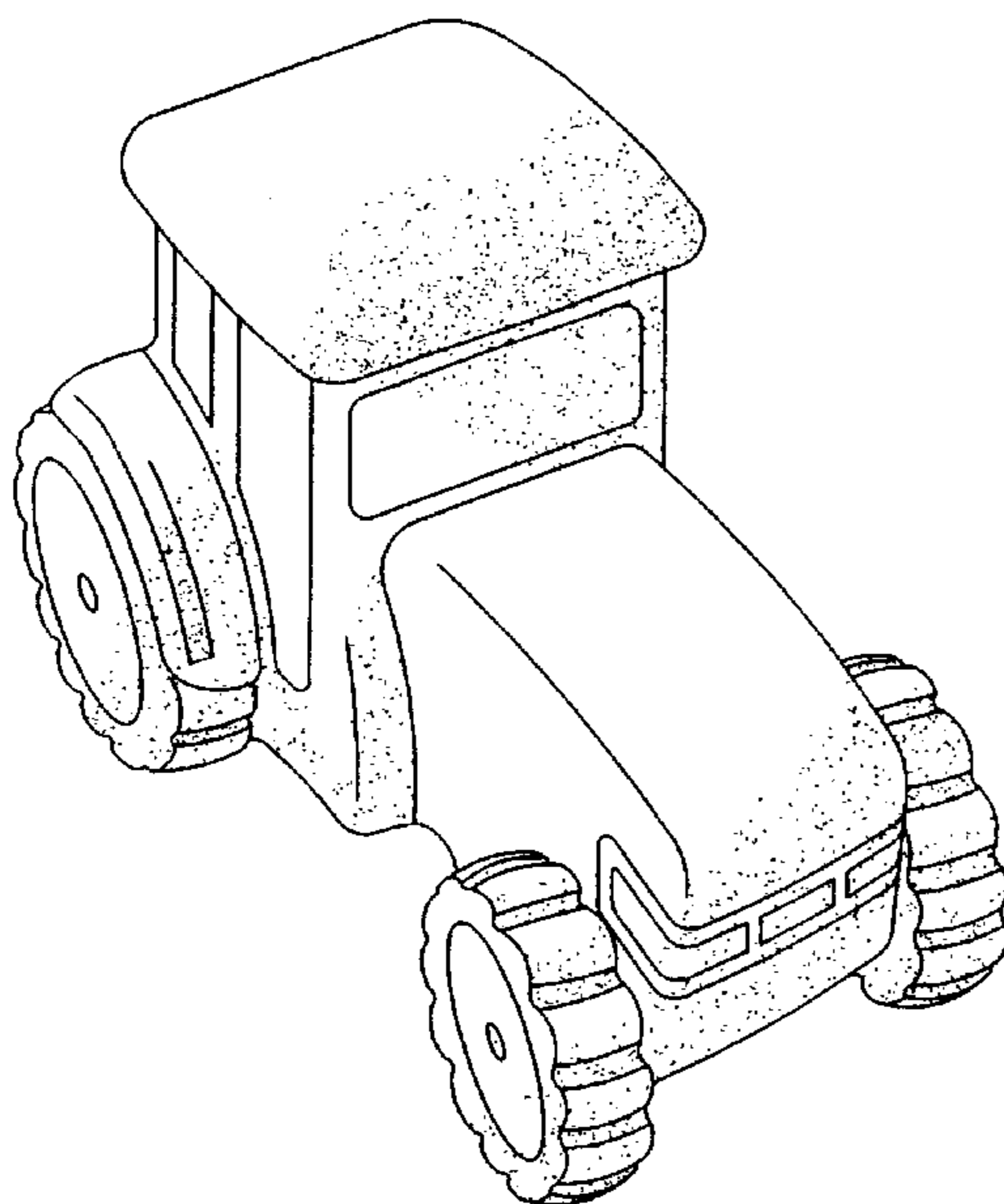
(57) **CLAIM**

The ornamental design for an interior illuminated lamp in the shape of a tractor, as shown and described.

**DESCRIPTION**

FIG. 1 is a view in perspective of the present invention; FIG. 2 is a left side view of the present invention; FIG. 3 is a right side view of the present invention; FIG. 4 is a front view of the present invention; FIG. 5 is a back view of the present invention; FIG. 6 is a top view of the present invention; and, FIG. 7 is a bottom view of the present invention.

**1 Claim, 2 Drawing Sheets**



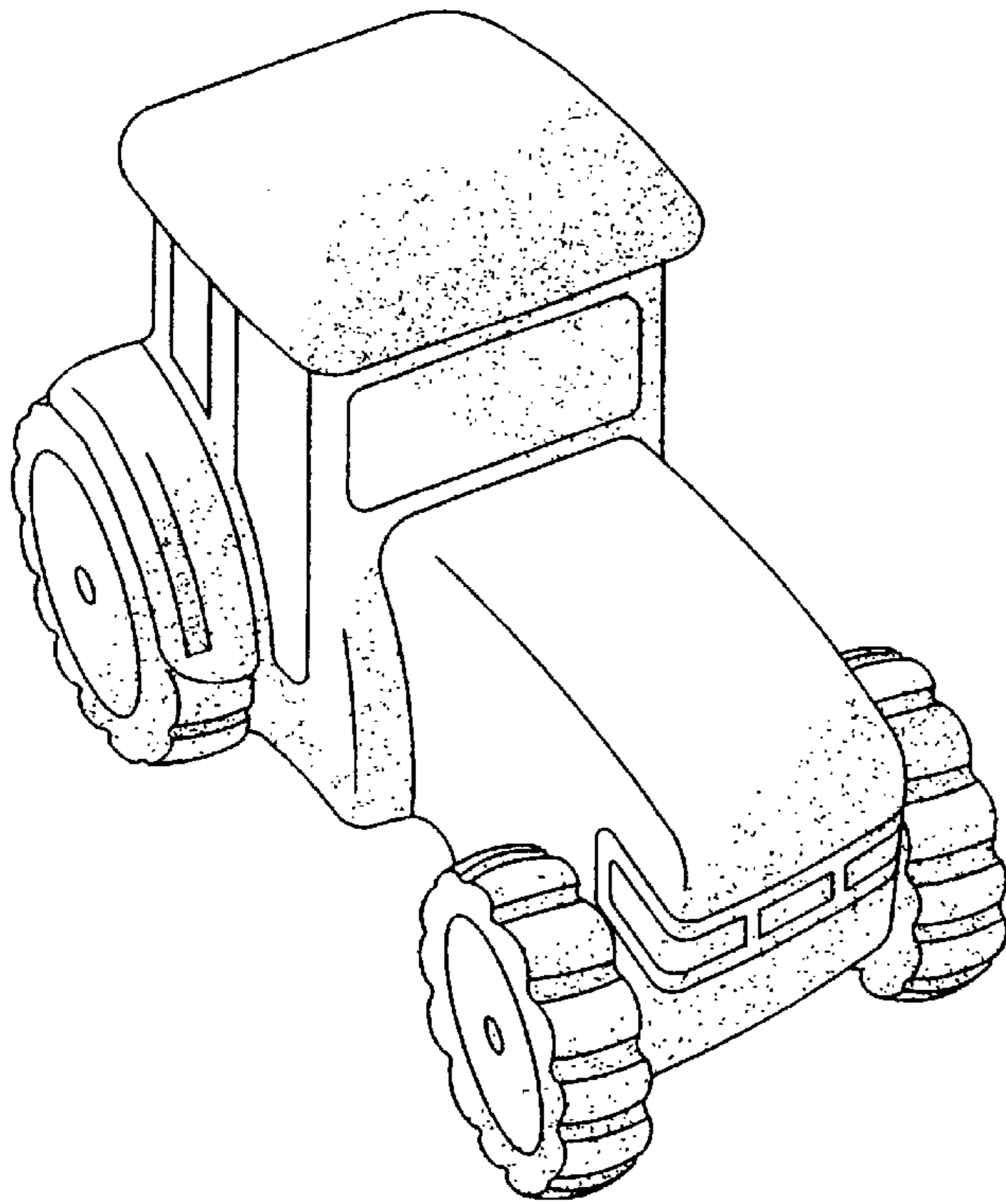


FIG. 1

FIG. 2

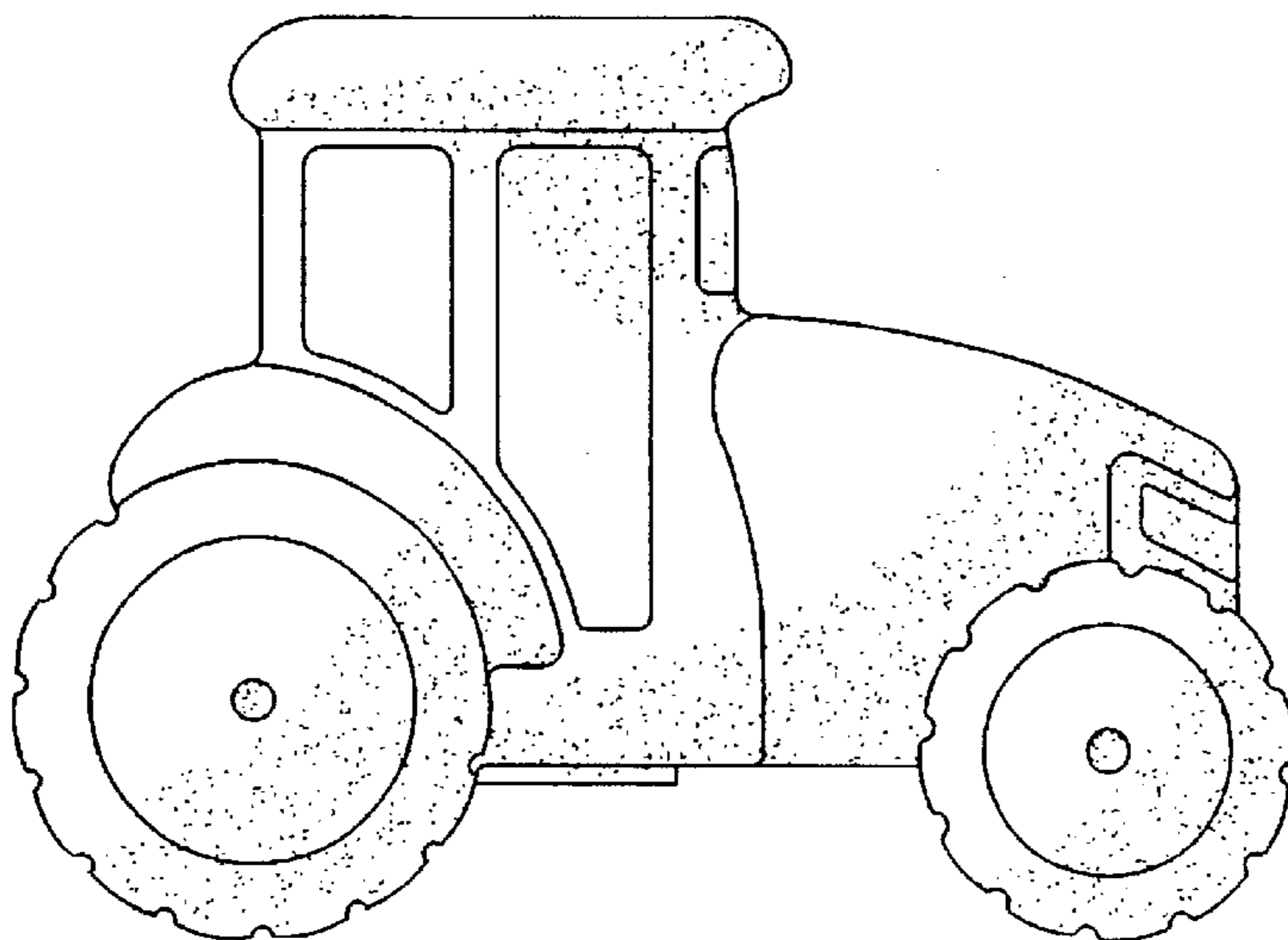
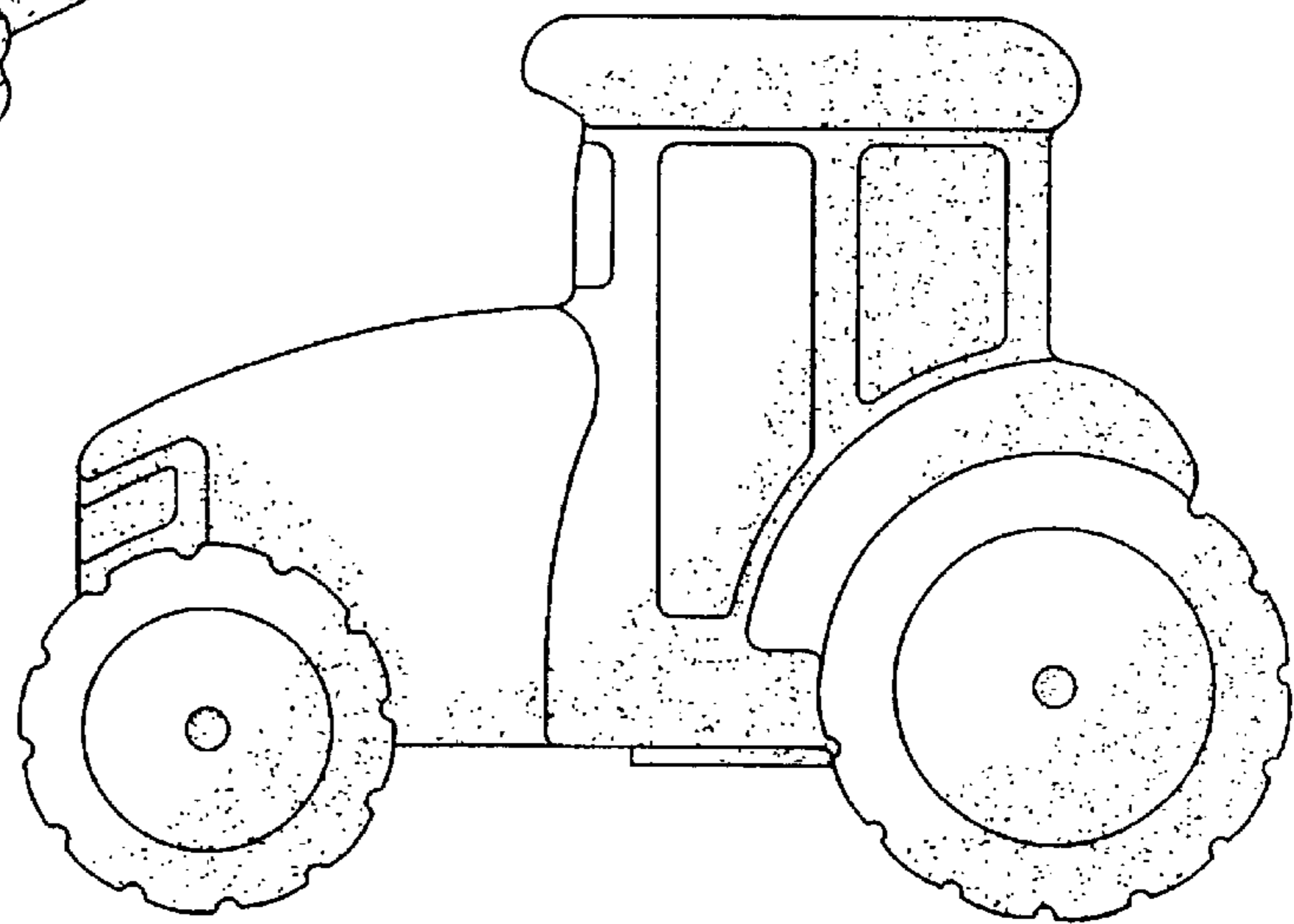


FIG. 3

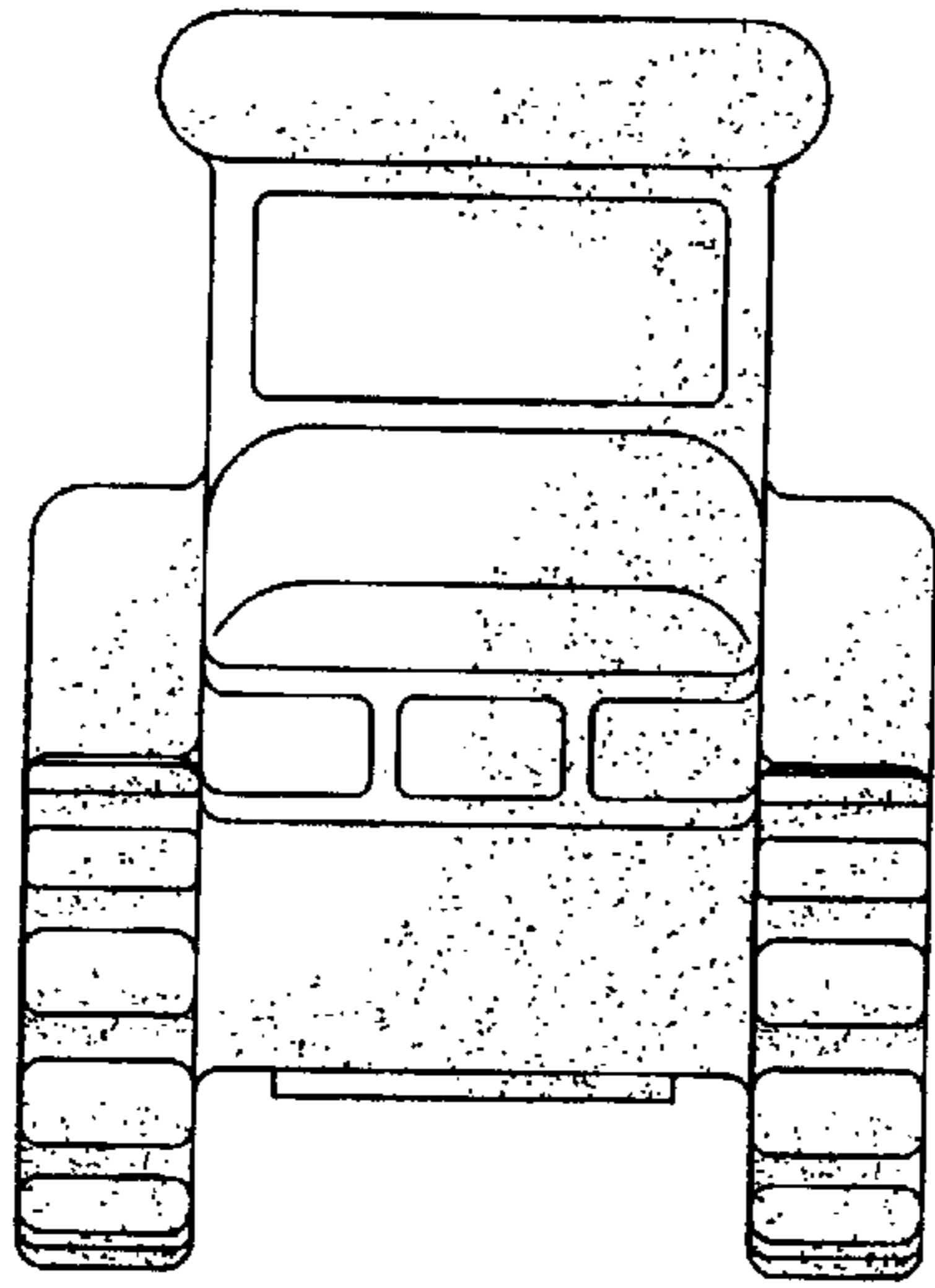


FIG. 4

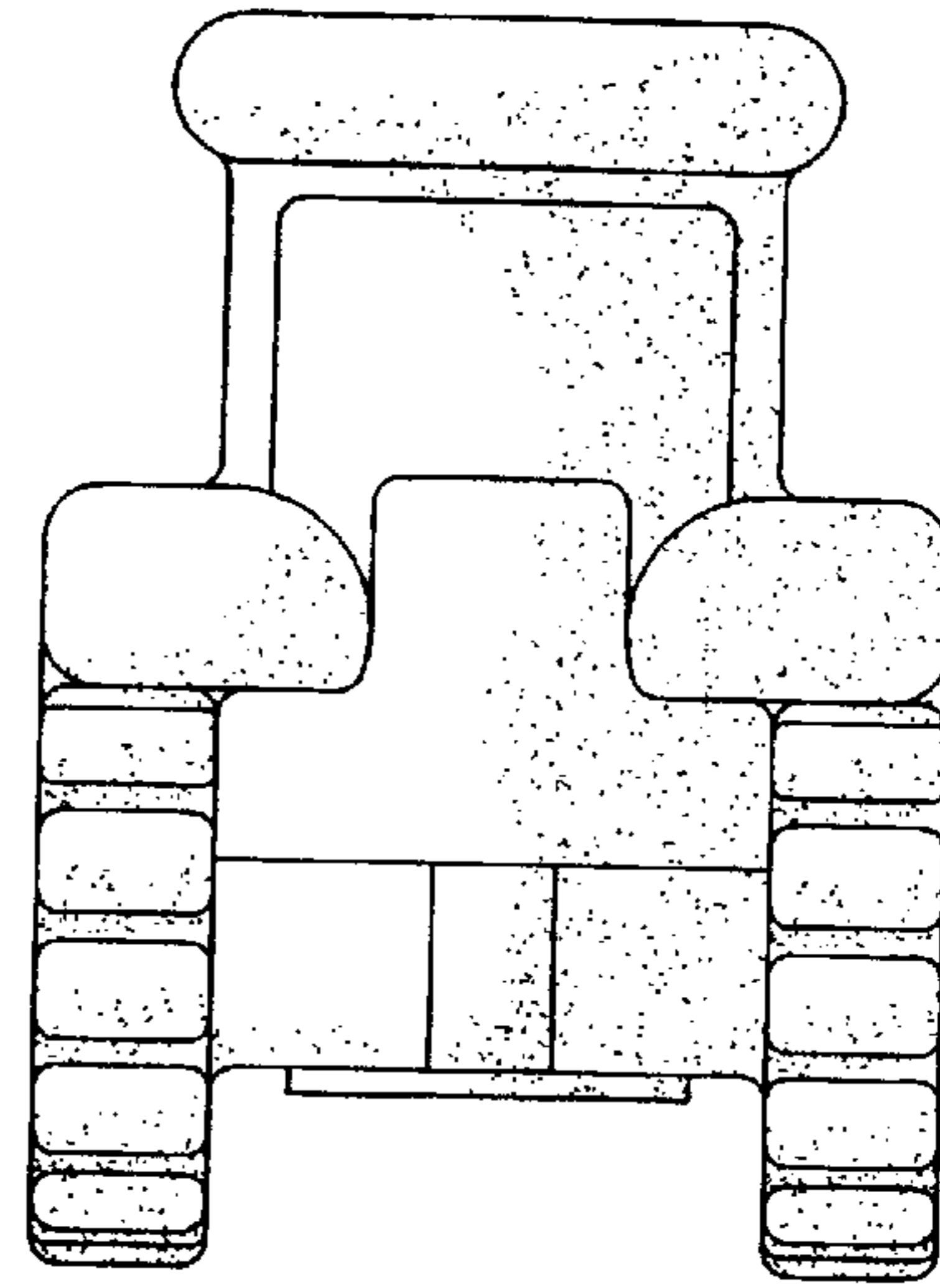


FIG. 5

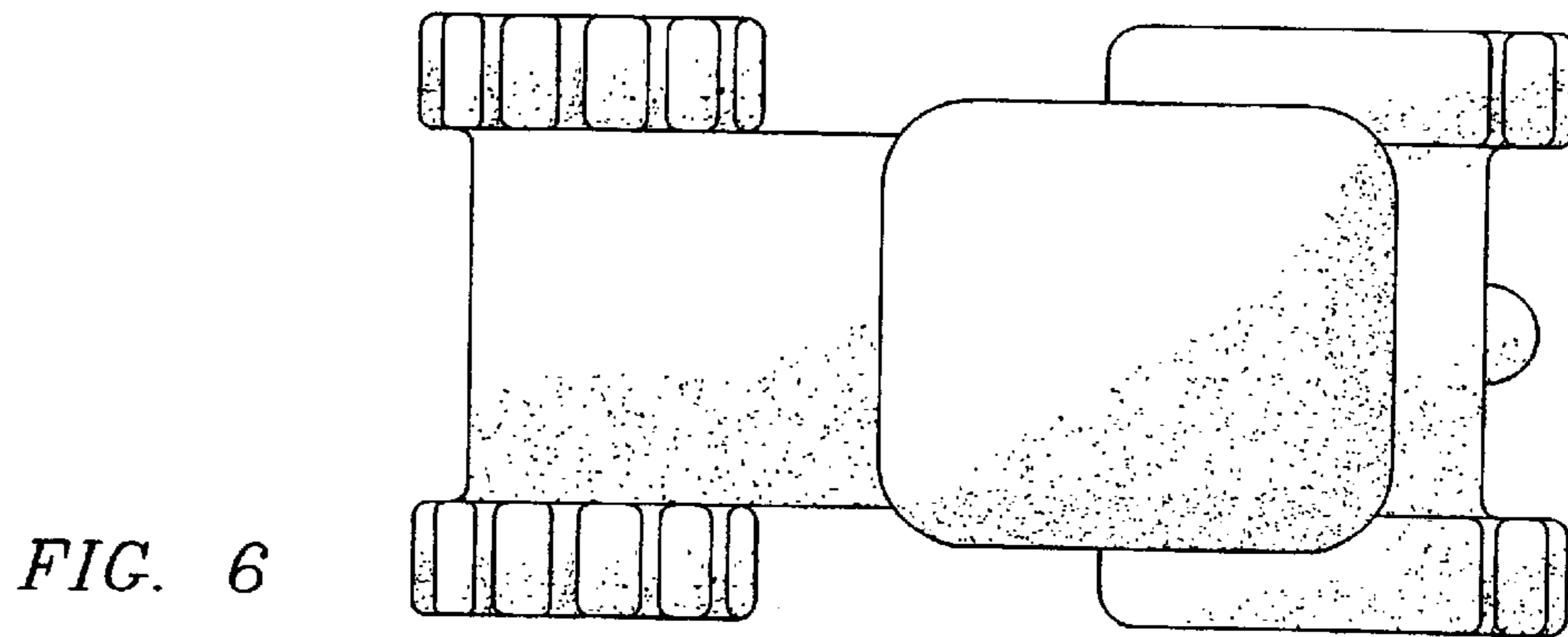


FIG. 6

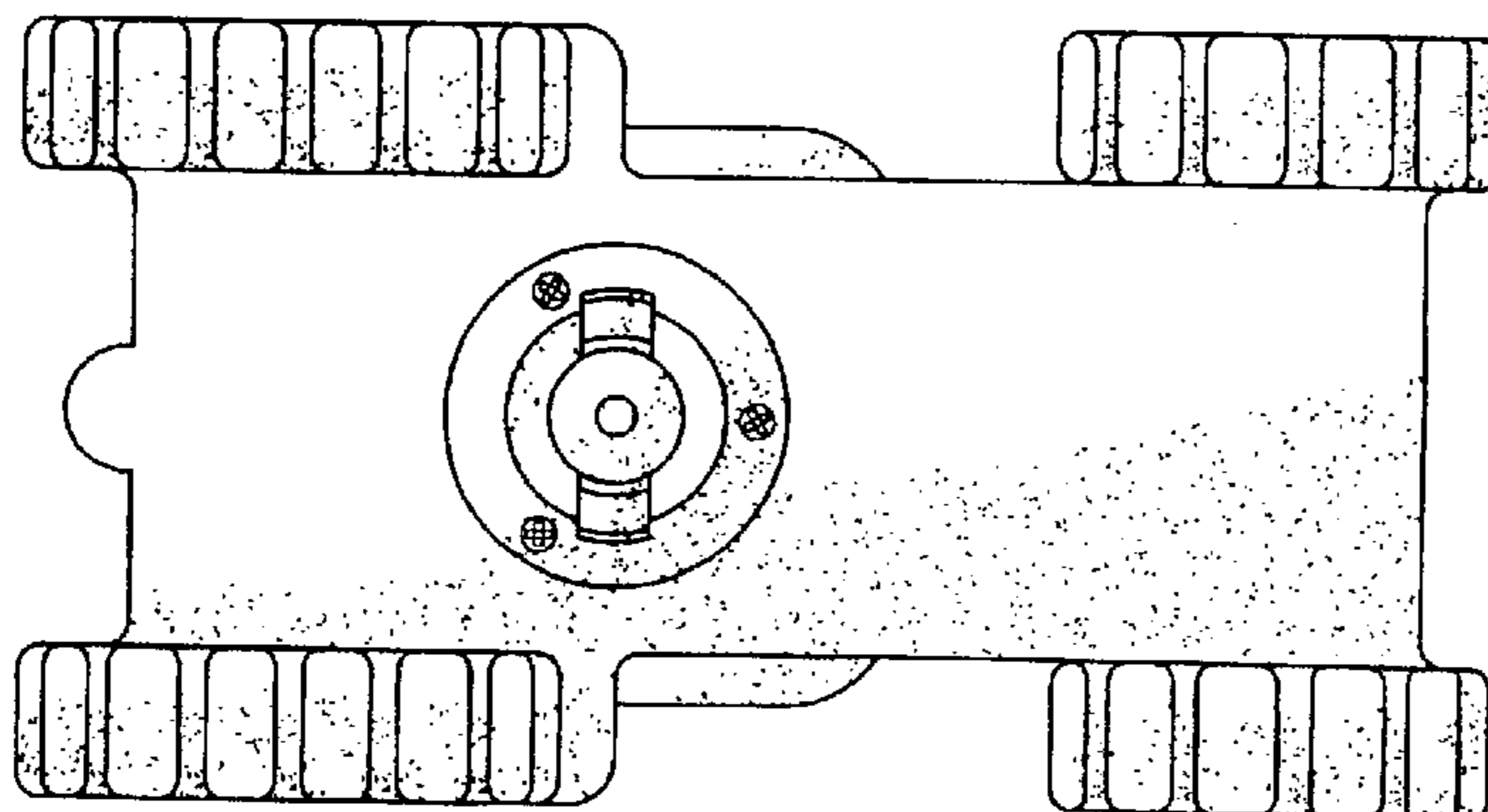


FIG. 7