

US00D493560S1

(12) **United States Design Patent** (10) **Patent No.:** **US D493,560 S**
Parres (45) **Date of Patent:** **** Jul. 27, 2004**

(54) **LIGHTING FIXTURE**

(75) Inventor: **Miguel Parres**, Alta Loma, CA (US)

(73) Assignee: **Minka Lighting, Inc.**, Corona, CA (US)

(**) Term: **14 Years**

(21) Appl. No.: **29/190,994**

(22) Filed: **Sep. 29, 2003**

(51) **LOC (7) Cl.** **26-03**

(52) **U.S. Cl.** **D26/84**

(58) **Field of Search** D26/72, 80-84,
D26/141-143; 362/147, 404-408, 431,
432

(56) **References Cited**

U.S. PATENT DOCUMENTS

D134,482 S * 12/1942 Ganger D26/81
D373,213 S * 8/1996 Porter D26/84

OTHER PUBLICATIONS

LampsPlus.com(1 page): "Three Light Orb Pendant Chandelier" 371230, Found online at lampsplus.com on Mar. 17, 2004.*

Bellacor.com(c)2000-2003 (3 pages): Mission 3 Light Trestle Light #20647; Chesapeake Trestle Pendant #39205; Delano Trestle Light #27720.*

Illuminotechnica Nov./Dec. 1997 (2 pages): pendant lamp in top center of p. 11; and trestle pendant lamp in top right of p. 49.*

Frederick Ramond 1991 catalog (1 page): "Pendant Canopy"#308/3 on p. 49.*

U.S. patent application Ser. No. 29/191,034, Parres, filed Sep. 29, 2003.

U.S. patent application Ser. No. 29/190,988, Parres, filed Sep. 29, 2003.

U.S. patent application Ser. No. 29/190,993, Parres, filed Sep. 29, 2003.

Minka Aire Two Thousand Three; p. 297; #74-84, 74-44, 74-66, Jan. 2003, Minka Lighting, Inc. USA.

Chandelier 10 Light Incandescent; # 2042NI, Oct. 2003, Kichler, Inc.

Chandelier 4 Light Incandescent; # 2041NI, Oct. 2003, Kichler, Inc.

Pendant 3 Light Incandescent; # 3041BK, Oct. 2003, Kichler, Inc.

Pendant 1 Light Incandescent; # 2640BK, Oct. 2003, Kichler, Inc.

Pendant 1 Light Incandescent; # 2643NI, Oct. 2003, Kichler, Inc.

* cited by examiner

Primary Examiner—Clare E Heflin

(74) *Attorney, Agent, or Firm*—Jenkins & Gilchrist, P.C.

(57) **CLAIM**

The ornamental design for the lighting fixture, as shown and described.

DESCRIPTION

FIG. 1 is a perspective view from below of a lighting fixture in accordance with my design;

FIG. 2 is a perspective view from above of the lighting fixture in accordance with my design;

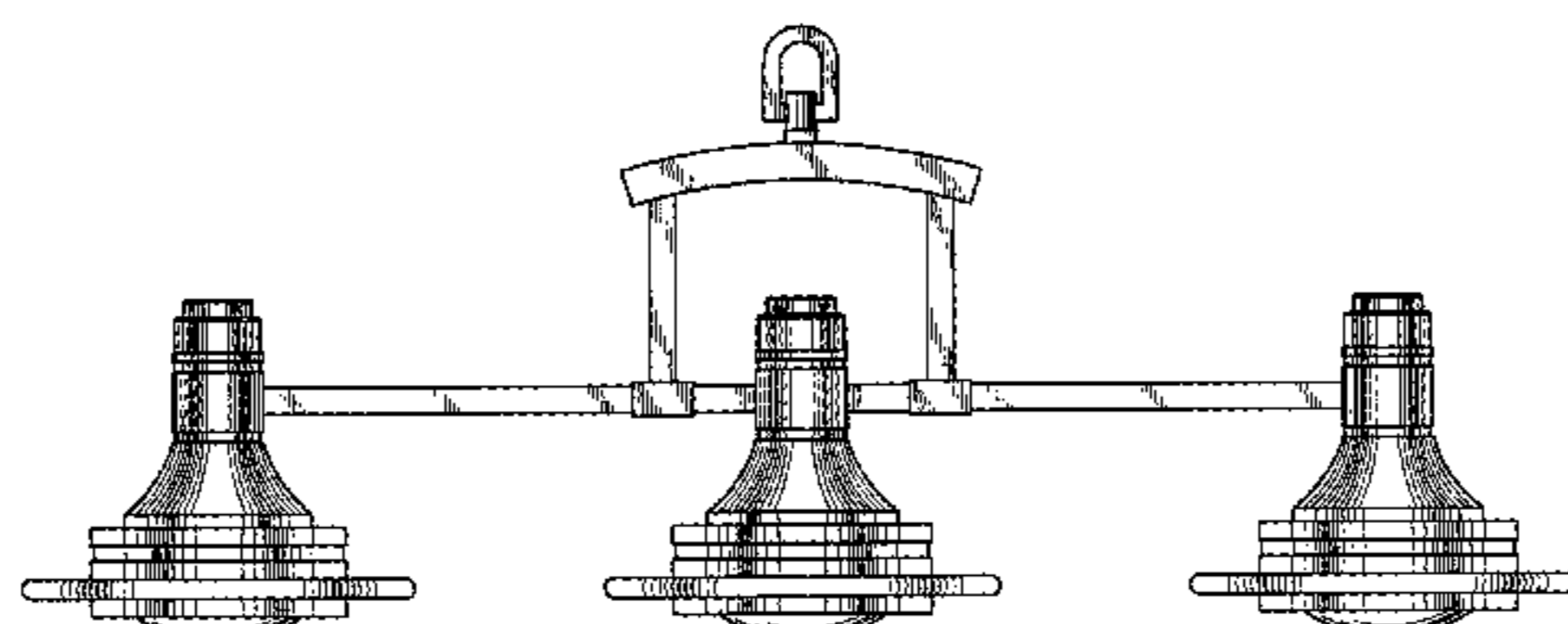
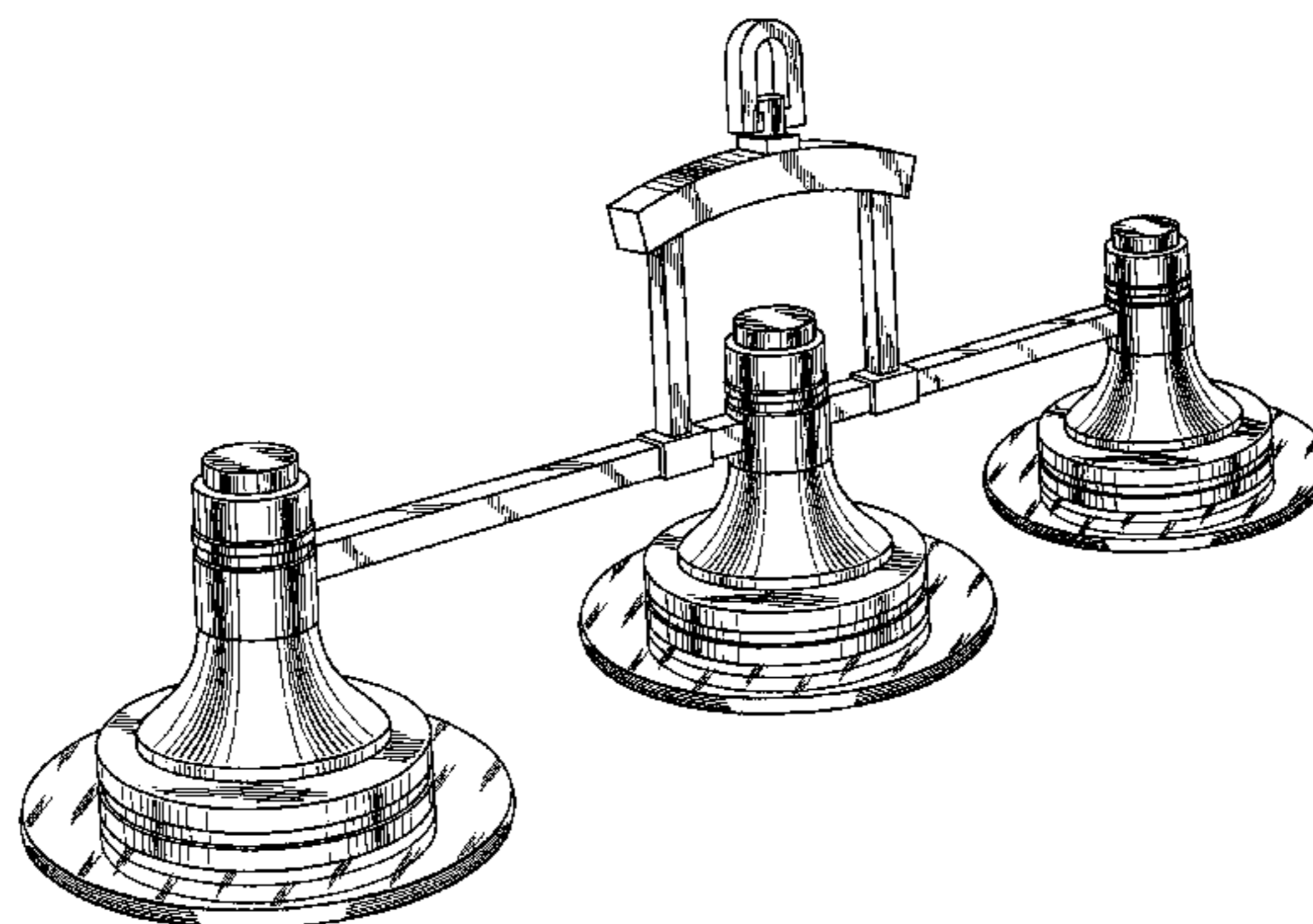
FIG. 3 is a top plan view of the lighting fixture in accordance with my design;

FIG. 4 is a front elevation view of the lighting fixture in accordance with my design;

FIG. 5 is a bottom plan view of the lighting fixture in accordance with my design; and,

FIG. 6 is a side elevation view of the lighting fixture in accordance with my design.

1 Claim, 4 Drawing Sheets



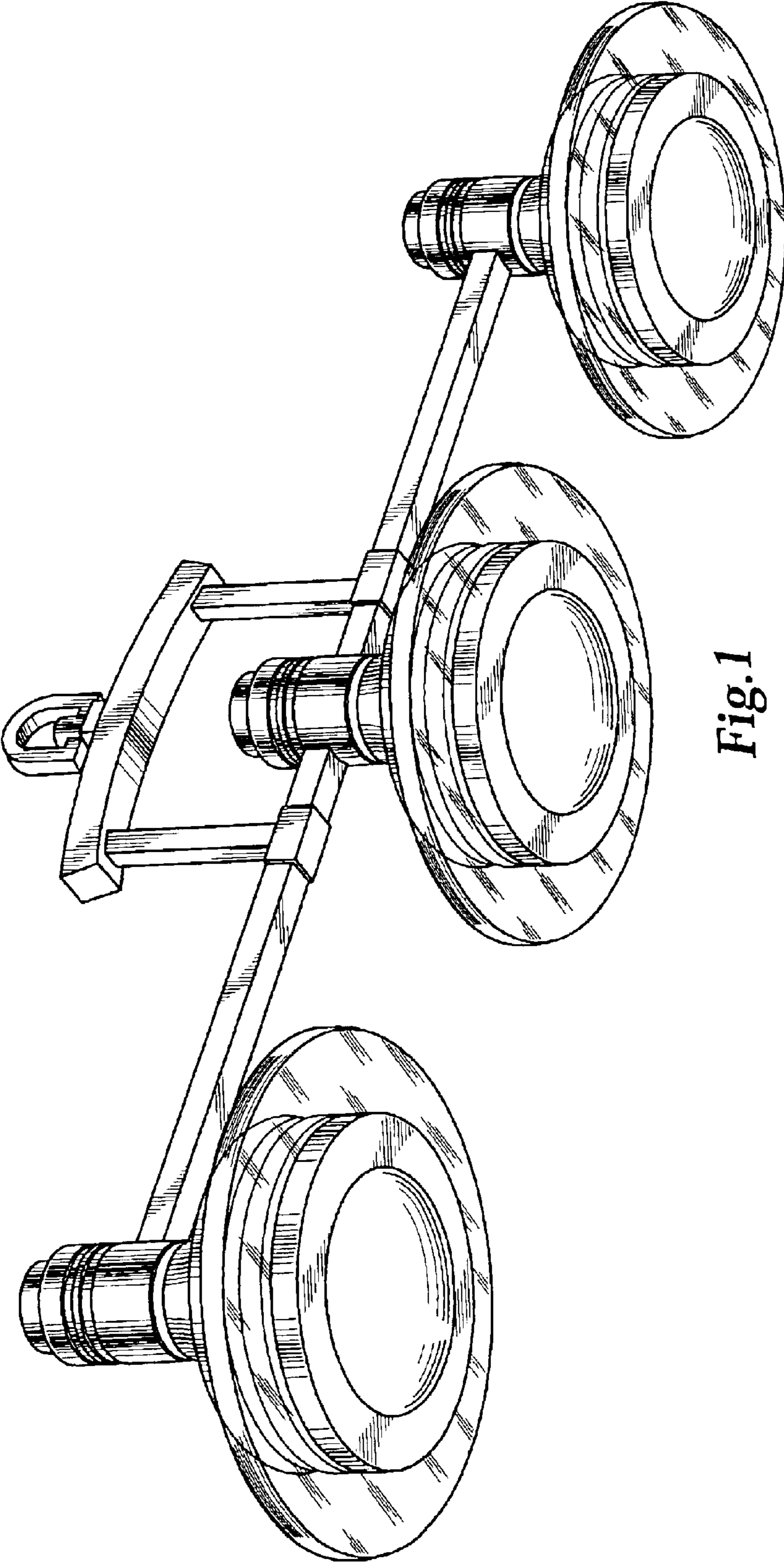


Fig. 1

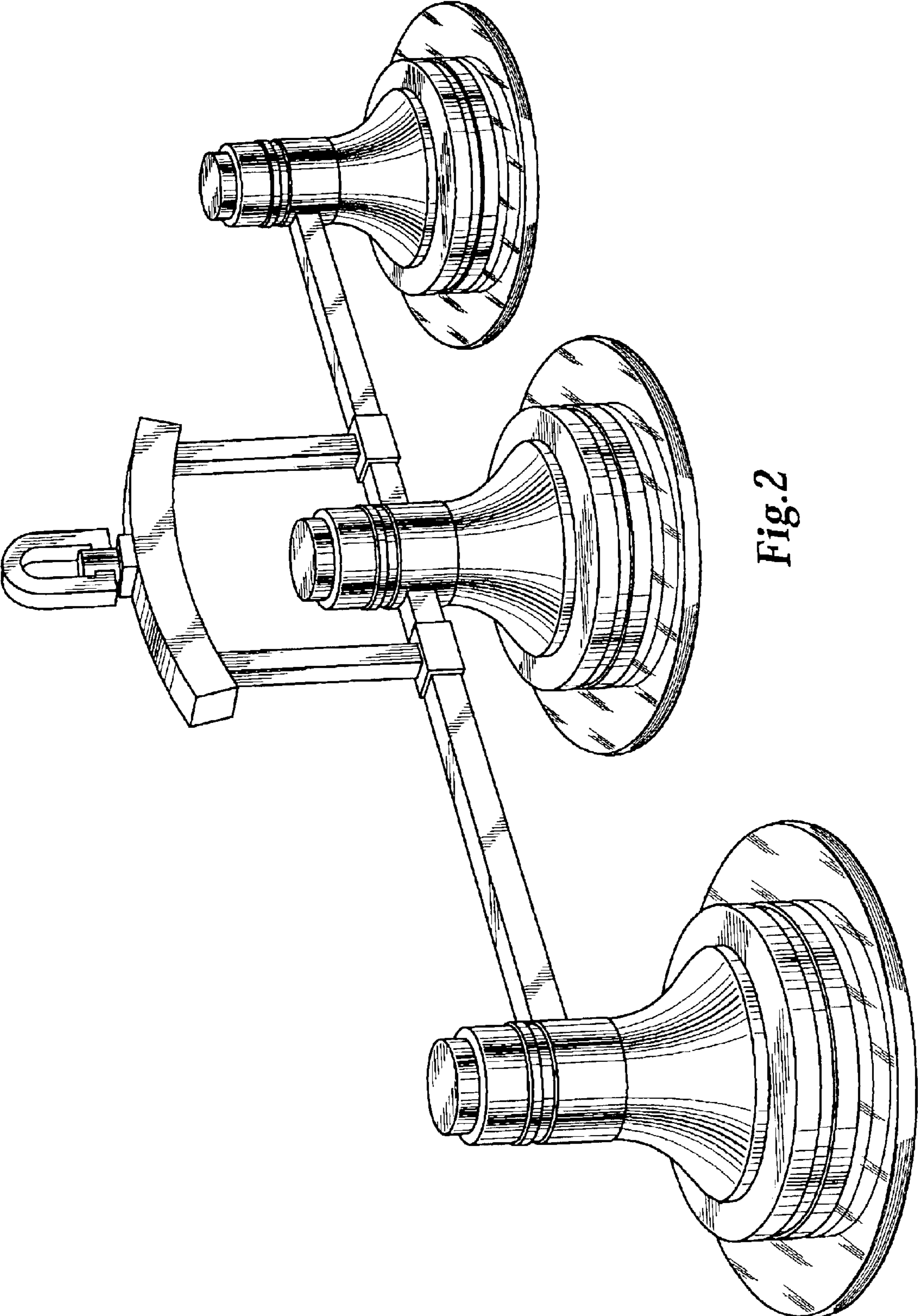


Fig. 2

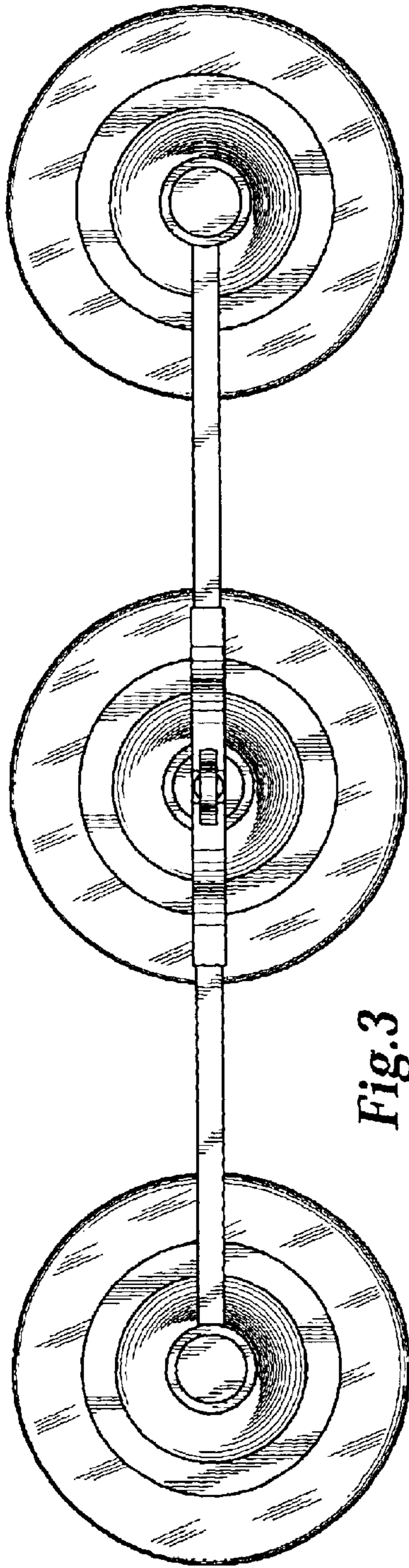


Fig. 3

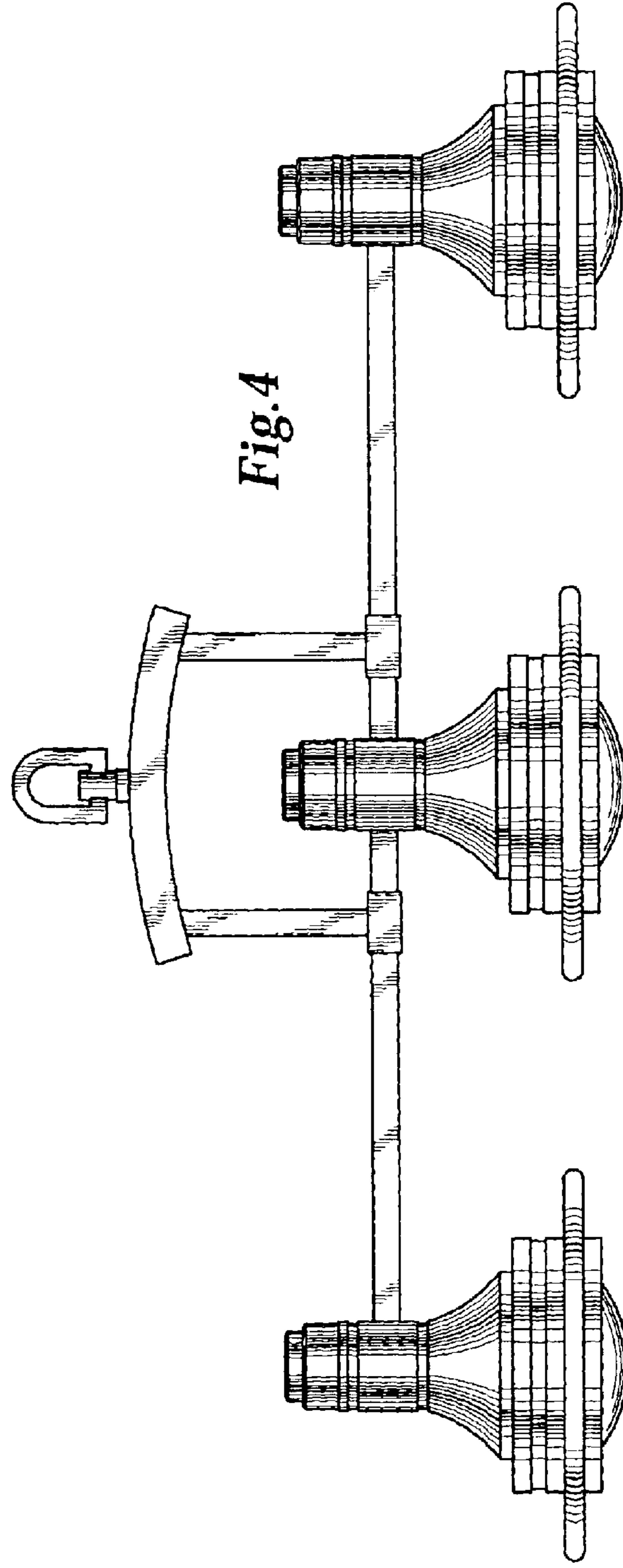


Fig. 4

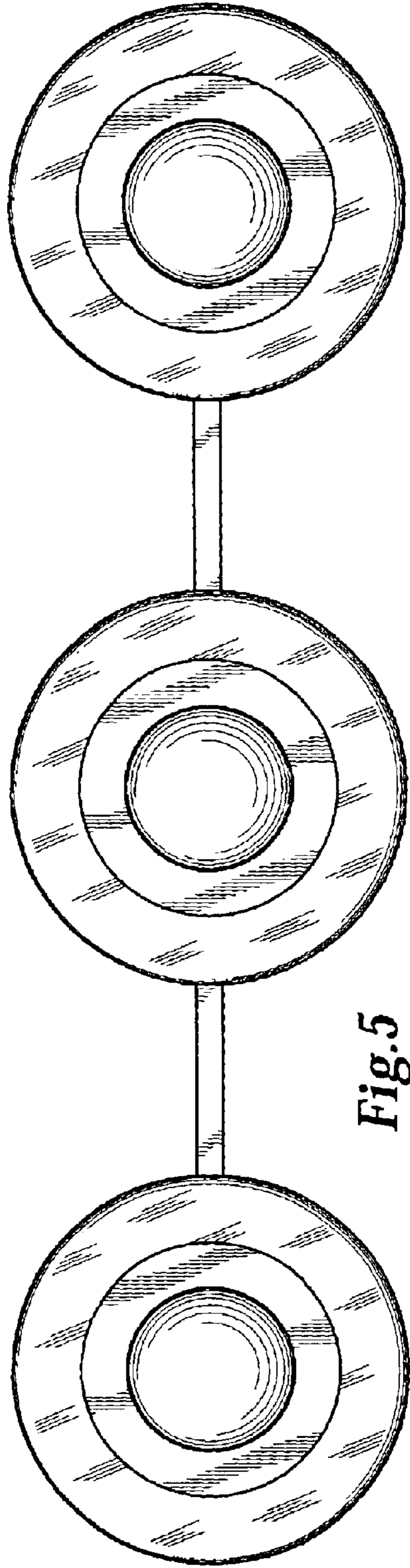


Fig. 5

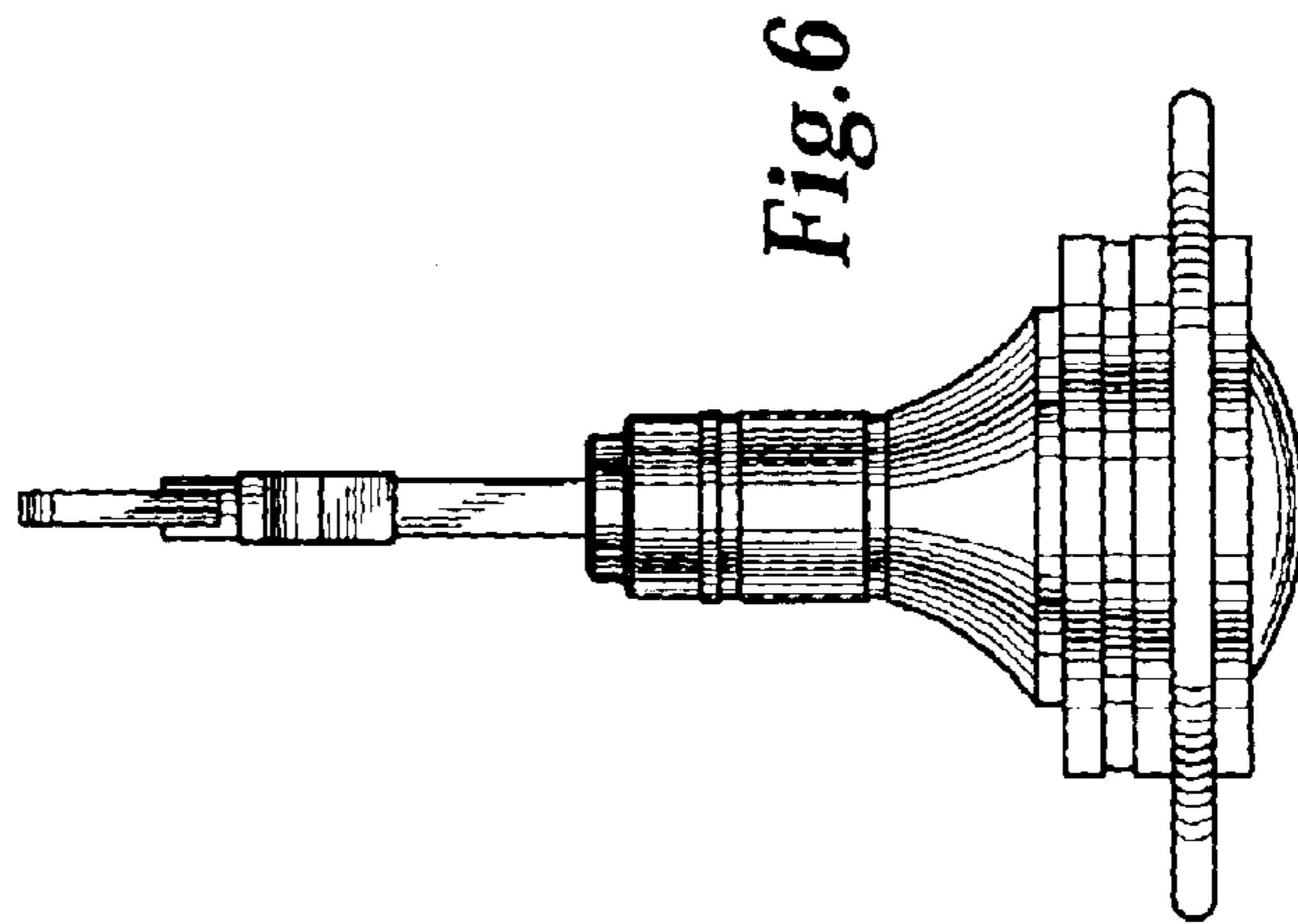


Fig. 6