

US00D493559S1

(12) **United States Design Patent**  
**Park**

(10) **Patent No.:** **US D493,559 S**

(45) **Date of Patent:** **\*\* Jul. 27, 2004**

(54) **CASE FOR MICROWAVE OVEN LAMP**

(75) **Inventor:** **James Ji-Hong Park, Seoul (KR)**

(73) **Assignee:** **James Tech Co., Ltd. (KR)**

(\*\*) **Term:** **14 Years**

(21) **Appl. No.:** **29/191,965**

(22) **Filed:** **Oct. 17, 2003**

(51) **LOC (7) Cl.** ..... **26-05**

(52) **U.S. Cl.** ..... **D26/74**

(58) **Field of Search** ..... D26/24, 72, 74,  
D26/85-92; D7/351, 407, 213; 219/758;  
362/92, 94, 364, 366, 147, 404-408

(56) **References Cited**

**U.S. PATENT DOCUMENTS**

4,252,450	A	*	2/1981	Goodman et al.	.....	400/208
4,853,508	A	*	8/1989	Hammerl	.....	219/758
D373,212	S	*	8/1996	Clark	.....	D26/74
5,712,468	A	*	1/1998	Ace	.....	219/758
5,839,816	A	*	11/1998	Varga et al.	.....	362/153.1
6,201,225	B1	*	3/2001	Lee	.....	219/758

6,210,026	B1	*	4/2001	Hornung et al.	.....	362/490
6,565,236	B1	*	5/2003	Davis, Jr.	.....	362/362

\* cited by examiner

*Primary Examiner*—Clare E Heflin

(74) *Attorney, Agent, or Firm*—Bacon & Thomas, PLLC

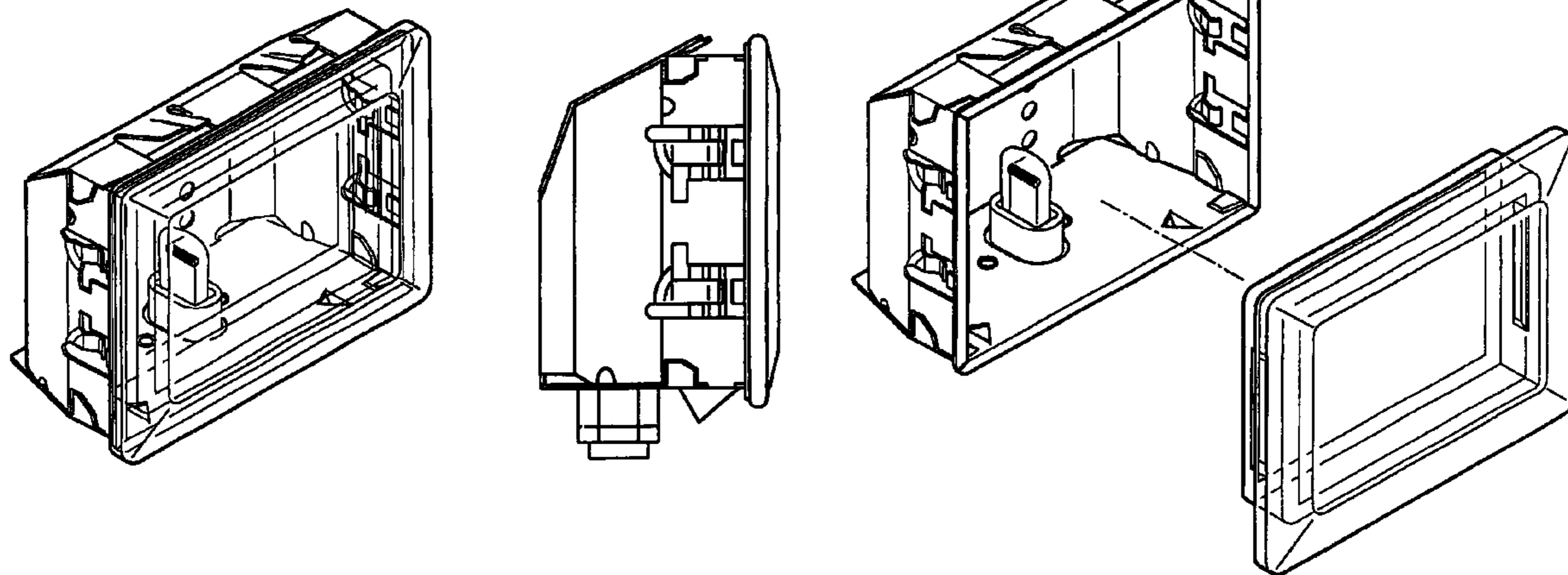
(57) **CLAIM**

The ornamental design for a case for microwave oven lamp, as shown.

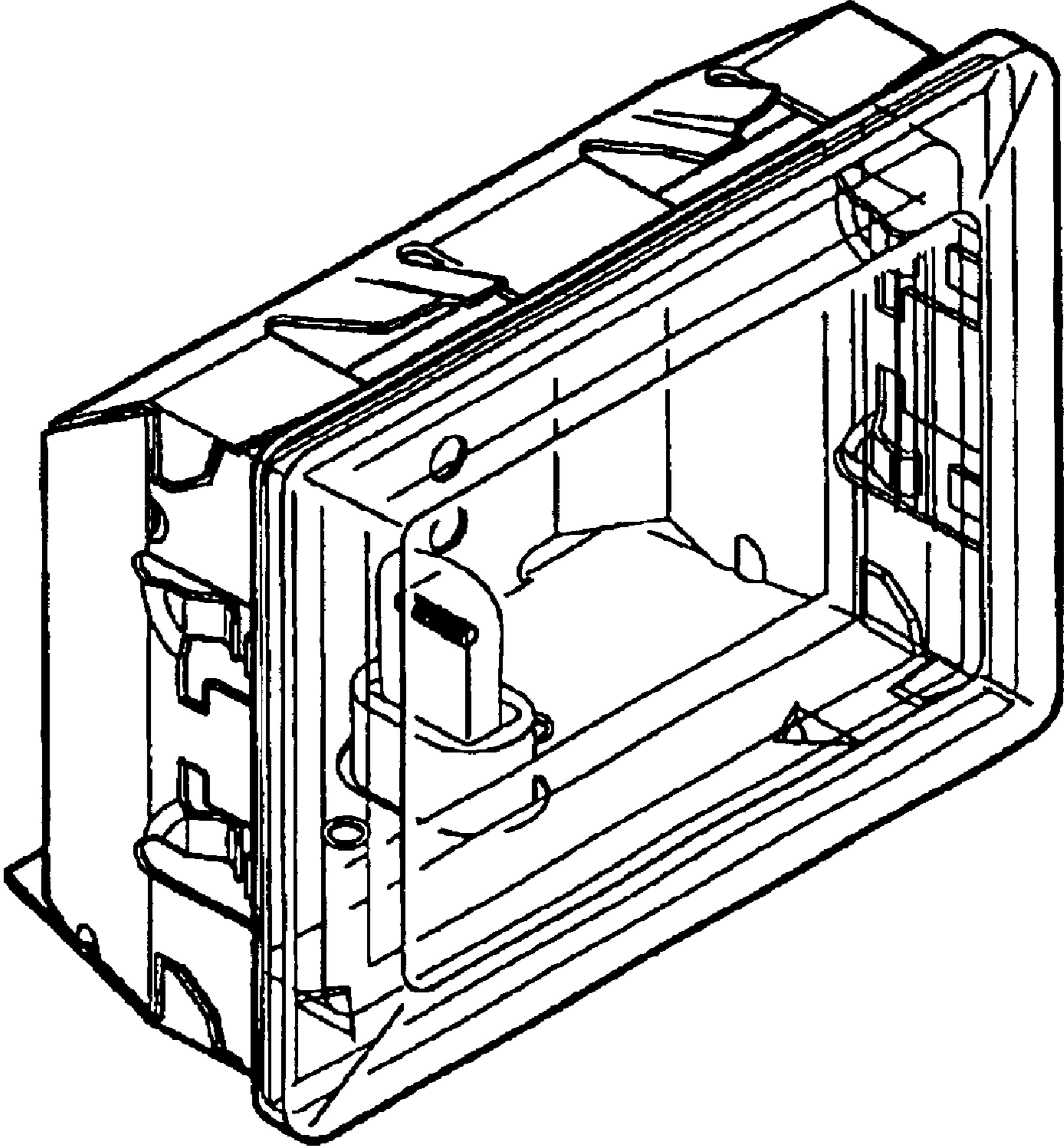
**DESCRIPTION**

FIG. 1 is a perspective view of a case for microwave oven lamp, showing my new design;  
 FIG. 2 is a front elevation thereof;  
 FIG. 3 is a front elevation thereof, with the translucent cover removed;  
 FIG. 4 is a top plan view thereof;  
 FIG. 5 is a bottom plan view thereof;  
 FIG. 6 is a left side view thereof;  
 FIG. 7 is a partially exploded perspective view thereof; and,  
 FIG. 8 is a right side view thereof.

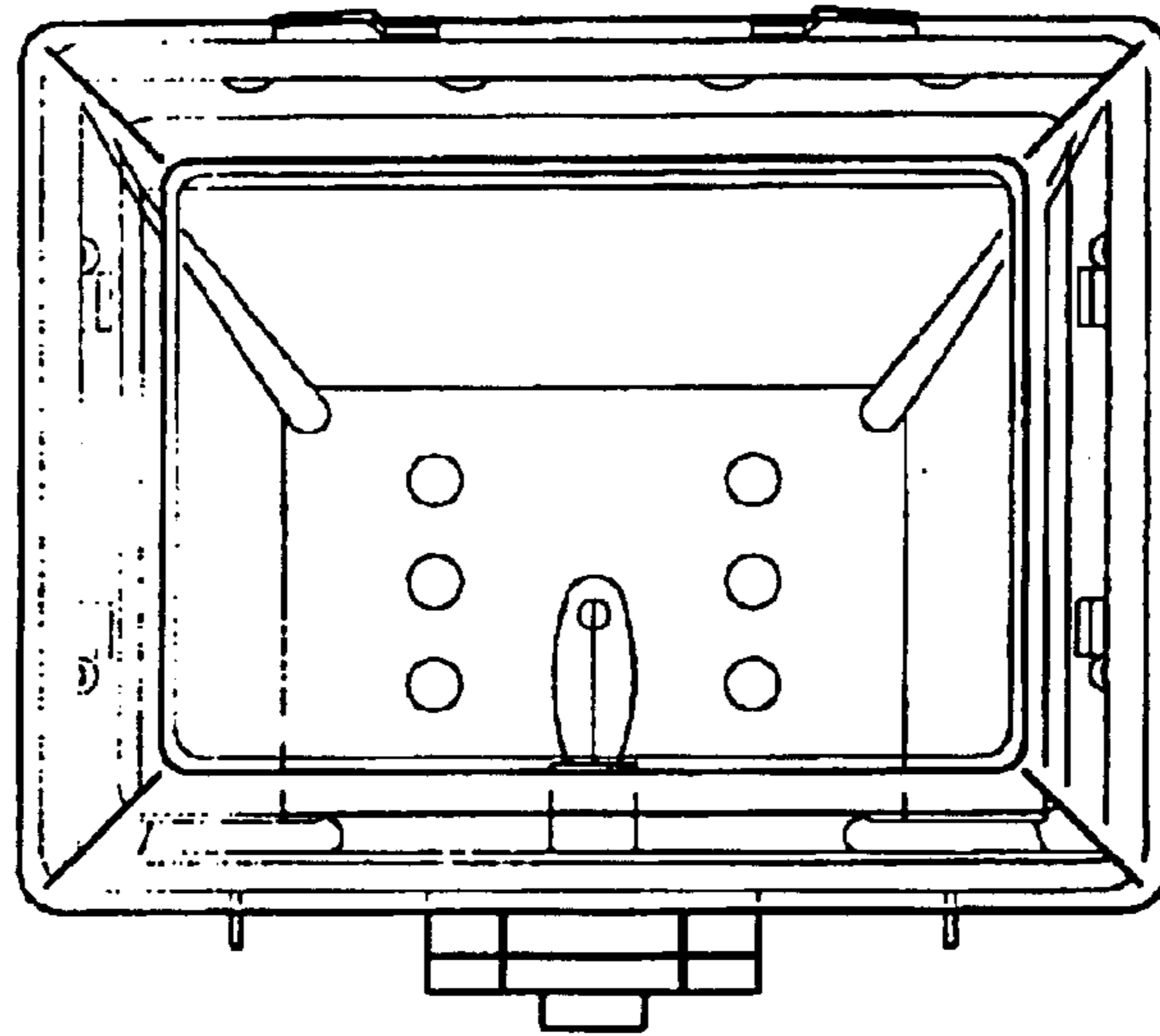
**1 Claim, 6 Drawing Sheets**



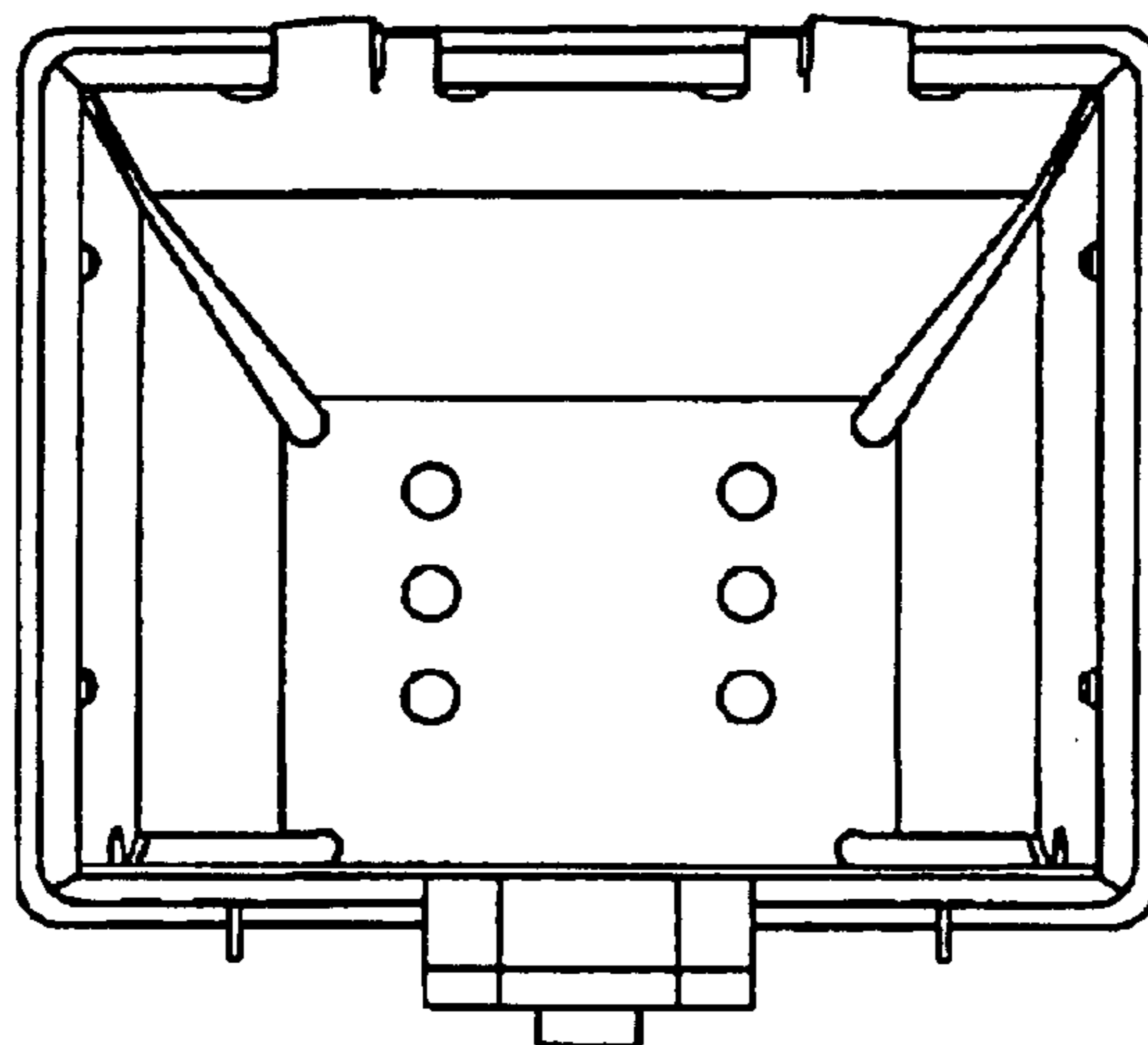
**Fig 1**



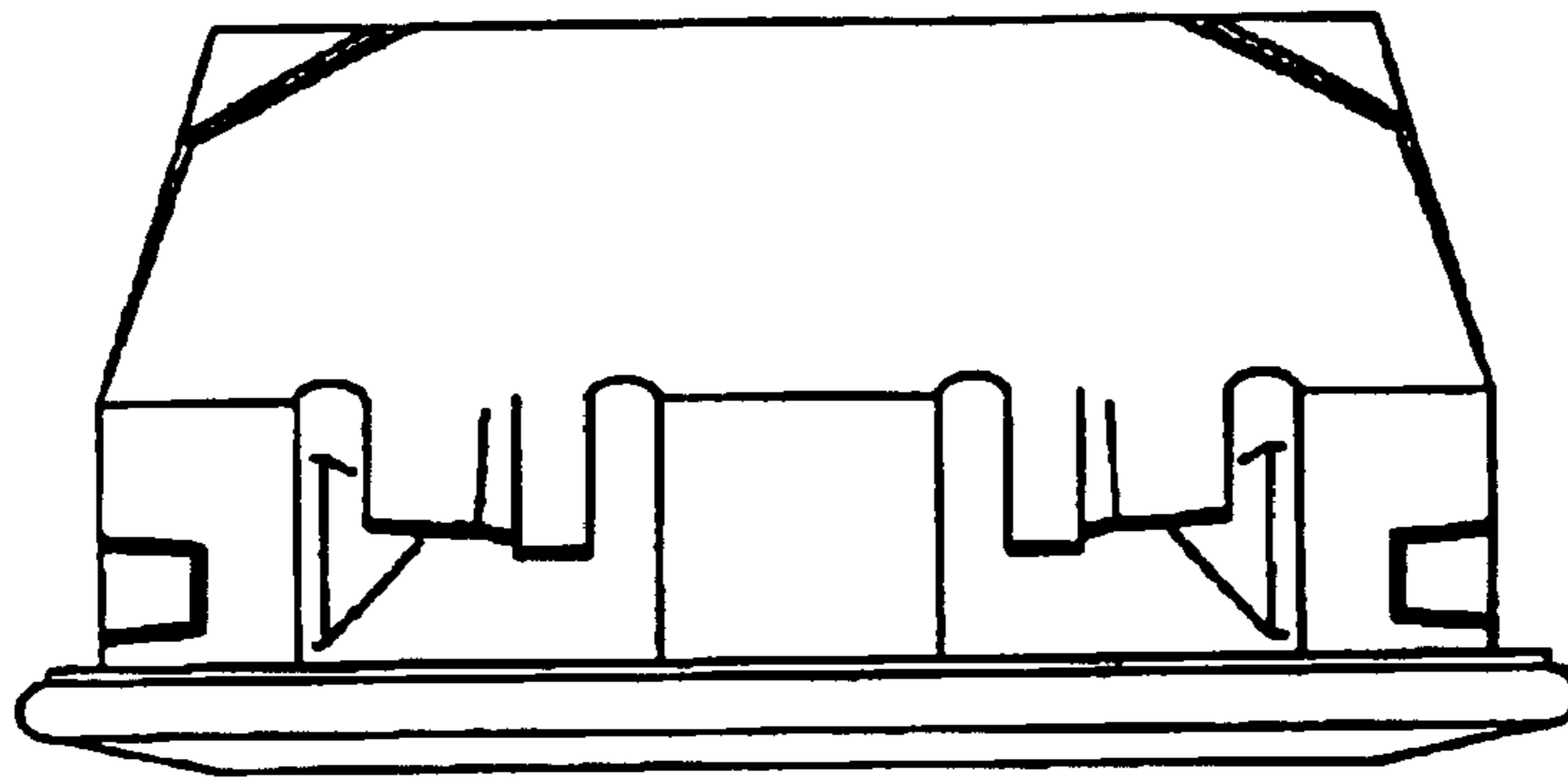
**Fig 2**



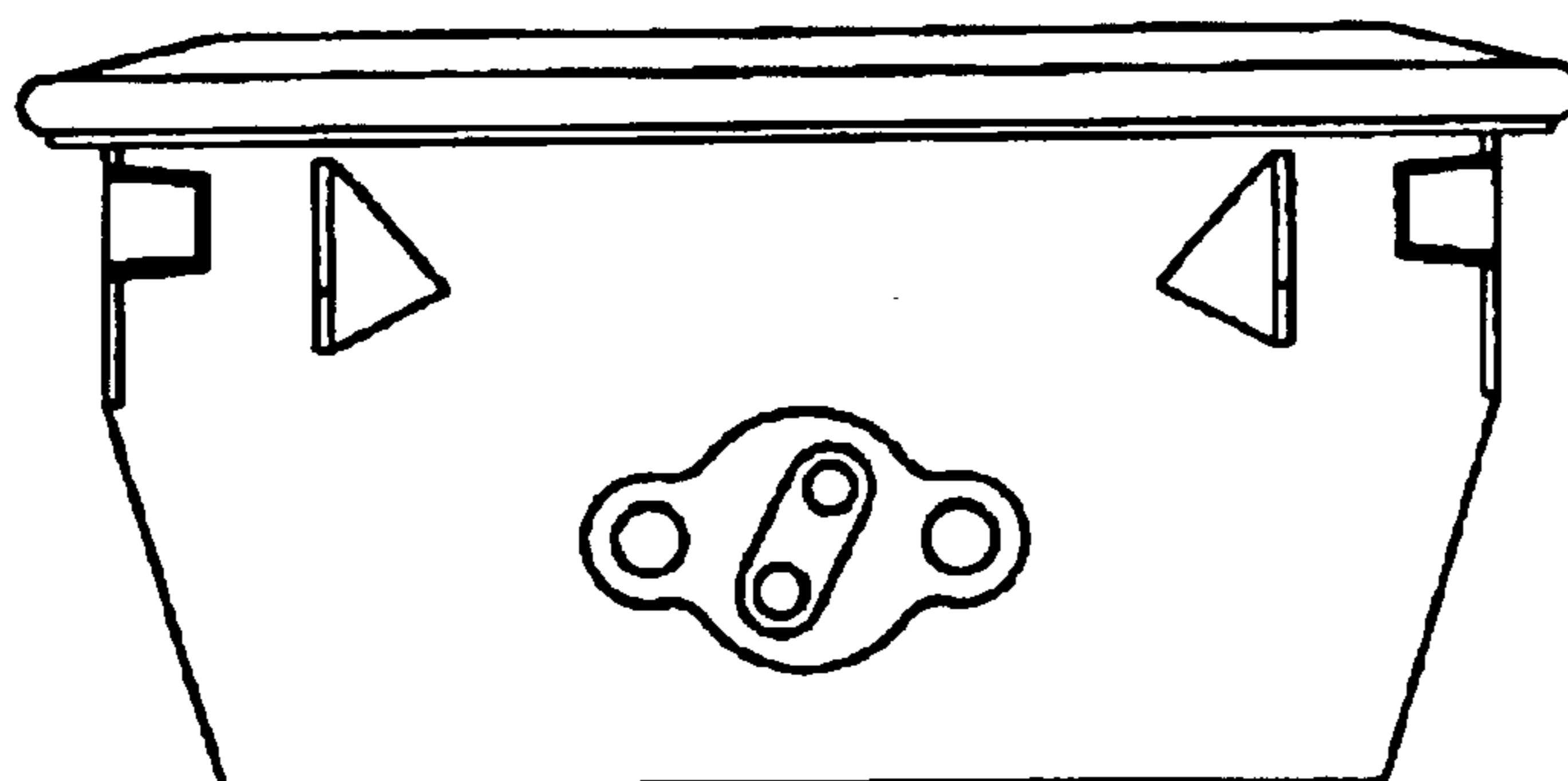
**Fig 3**



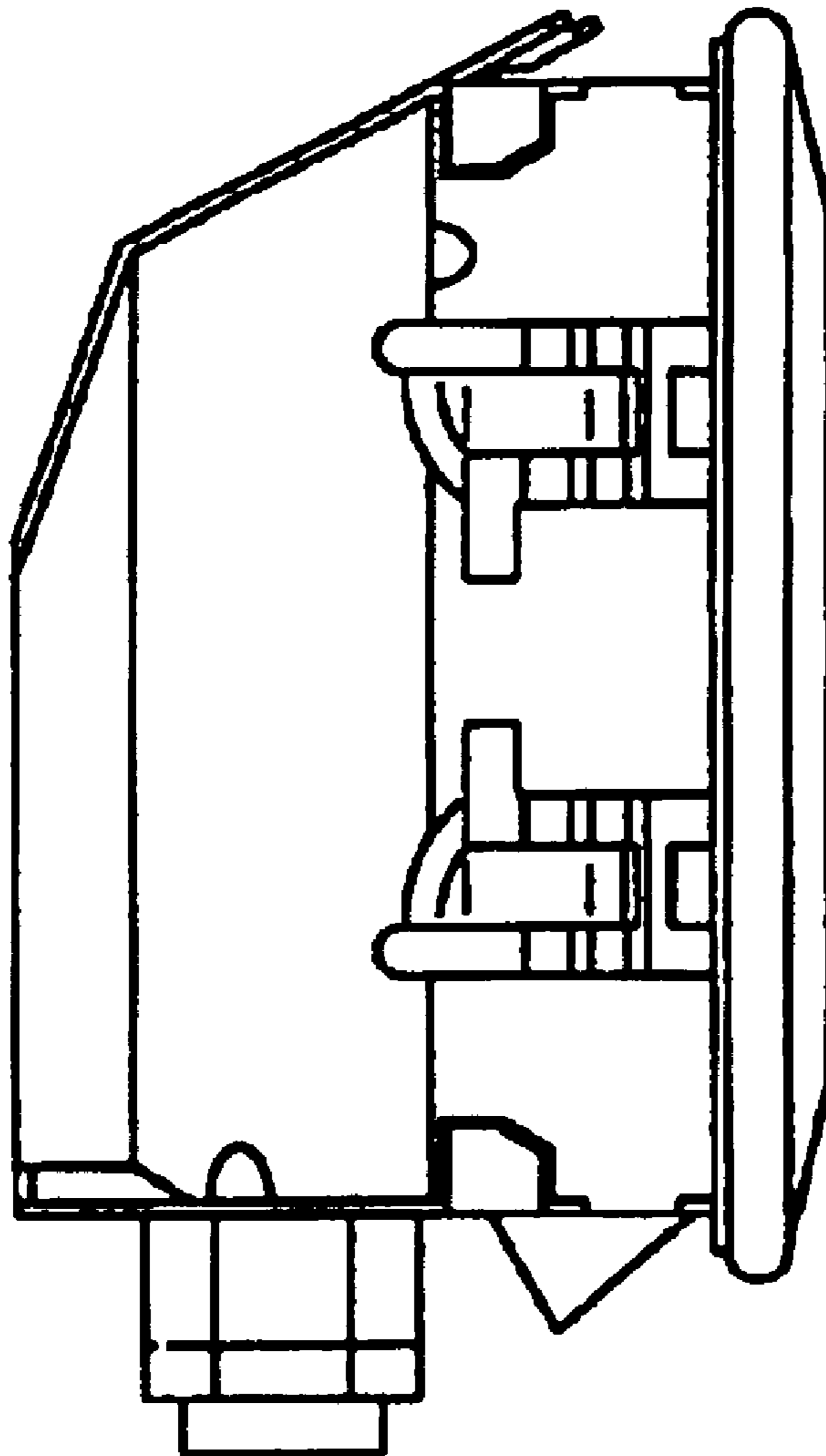
**Fig 4**



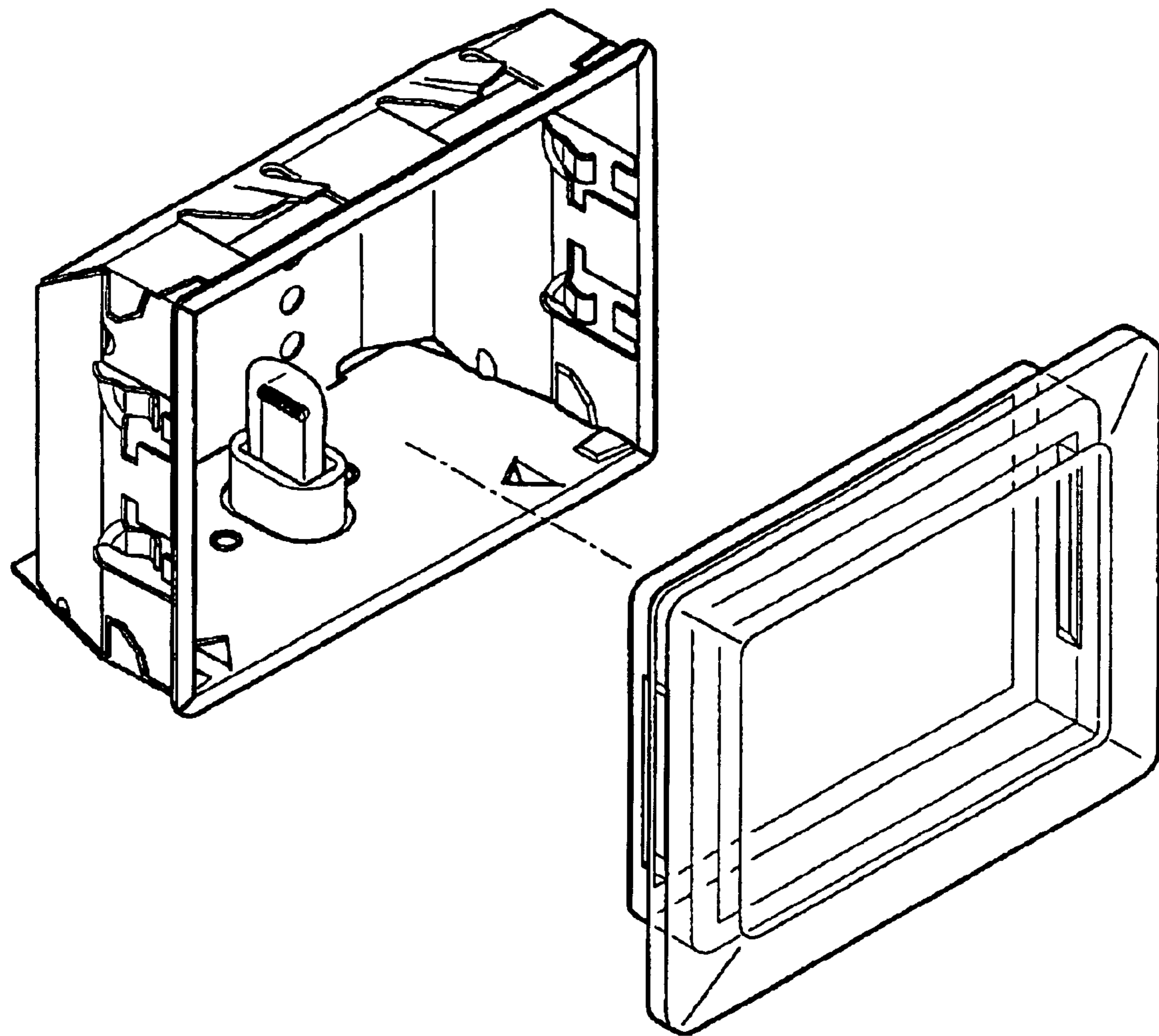
**Fig 5**



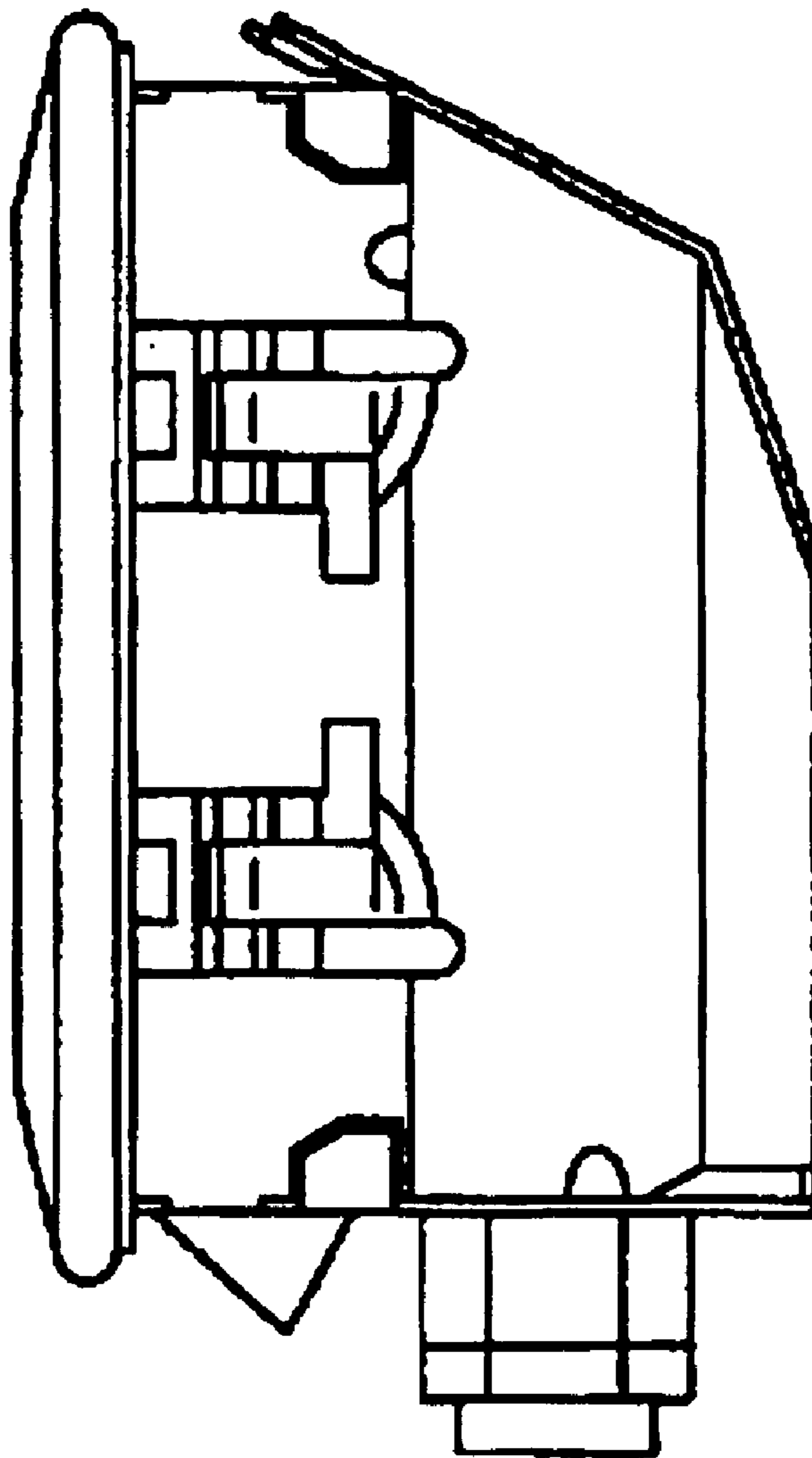
**Fig 6**



**Fig 7**



# Fig 8



**Disclaimer**

**D493,559 S** — James Ji-Hong Park, Seoul (KR), CASE FOR MICROWAVE OVEN LAMP. Patent dated July 27, 2004. Disclaimer filed May 23, 2007, by the assignee, James Tech., Co., Ltd.

The entire term of the patent is hereby disclaimed.

*(Official Gazette November 6, 2007)*