



US00D493558S1

(12) **United States Design Patent**
Kovach et al.

(10) **Patent No.: US D493,558 S**
(45) **Date of Patent: ** Jul. 27, 2004**

(54) **HIGH INTENSITY DISCHARGE LIGHTING FIXTURE**

(75) Inventors: **Jeremy J. Kovach**, Birmingham, AL (US); **Kenneth A. Lane**, Hendersonville, NC (US)

(73) Assignee: **General Electric Company**, Schenectady, NY (US)

(**) Term: **14 Years**

(21) Appl. No.: **29/168,296**

(22) Filed: **Sep. 30, 2002**

(51) **LOC (7) Cl.** **26-05**

(52) **U.S. Cl.** **D26/72**

(58) **Field of Search** D26/24, 72, 80-92, D26/60-66; 362/147, 432, 237, 252, 404-406, 159, 555, 800, 806

(56) **References Cited**

U.S. PATENT DOCUMENTS

D212,381 S * 10/1968 Moore D26/24
D223,282 S * 4/1972 Andre D26/63
D232,376 S * 8/1974 Yabraus et al. D26/24

D304,088 S * 10/1989 Kelley et al. D26/24
D324,431 S * 3/1992 Richardson et al. D26/63
D343,471 S * 1/1994 Belisle et al. D26/85

* cited by examiner

Primary Examiner—Clare Heflin

(74) *Attorney, Agent, or Firm*—Fay, Sharpe, Fagan, Minnich & McKee, LLP

(57) **CLAIM**

The ornamental design for a high intensity discharge lighting fixture, as shown and described.

DESCRIPTION

FIG. 1 is a perspective view of a high intensity discharge lighting fixture showing our new design as viewed generally from the top front and right side.

FIG. 2 is a perspective view taken generally from the top rear and left side.

FIG. 3 is a front elevational view thereof.

FIG. 4 is a right side elevational view thereof.

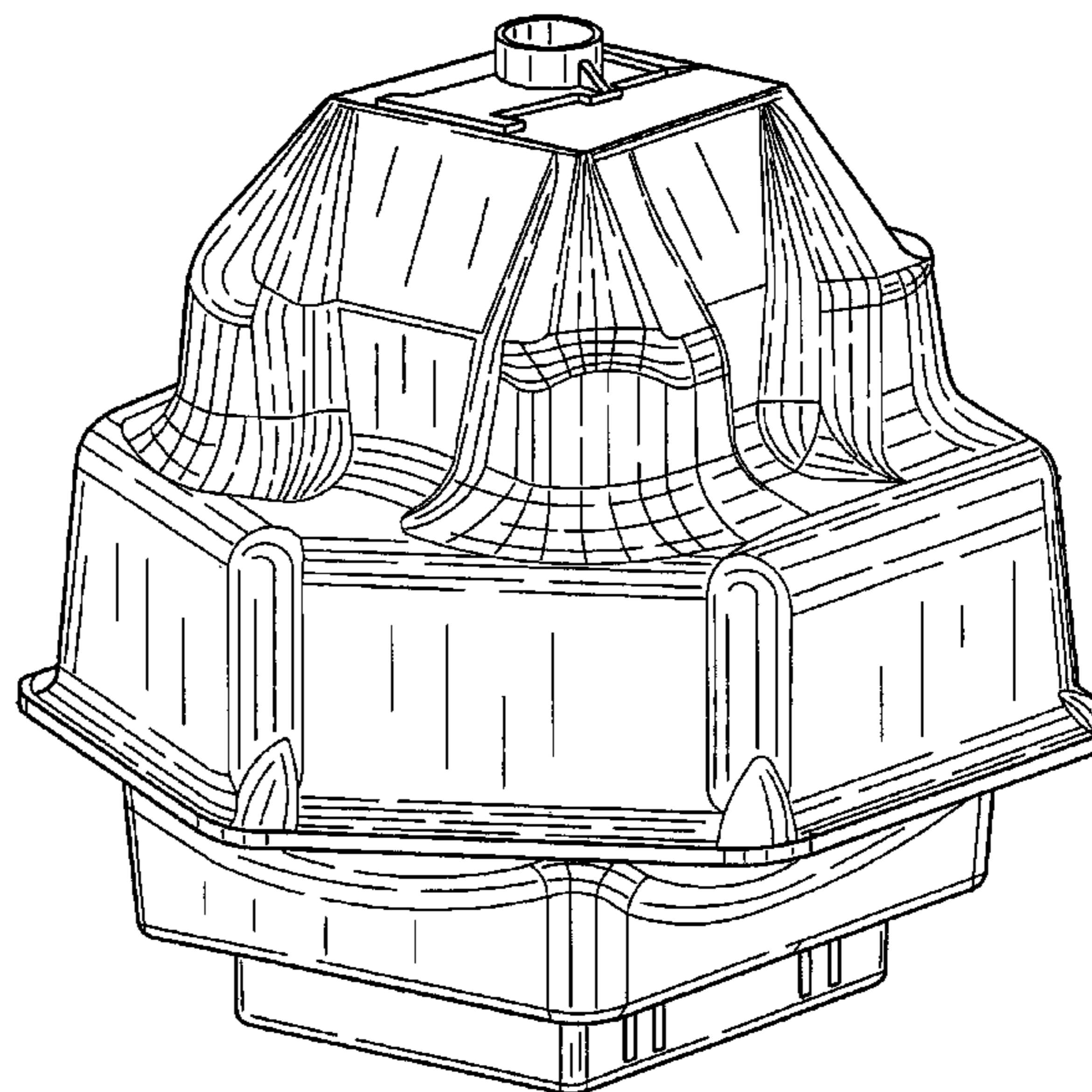
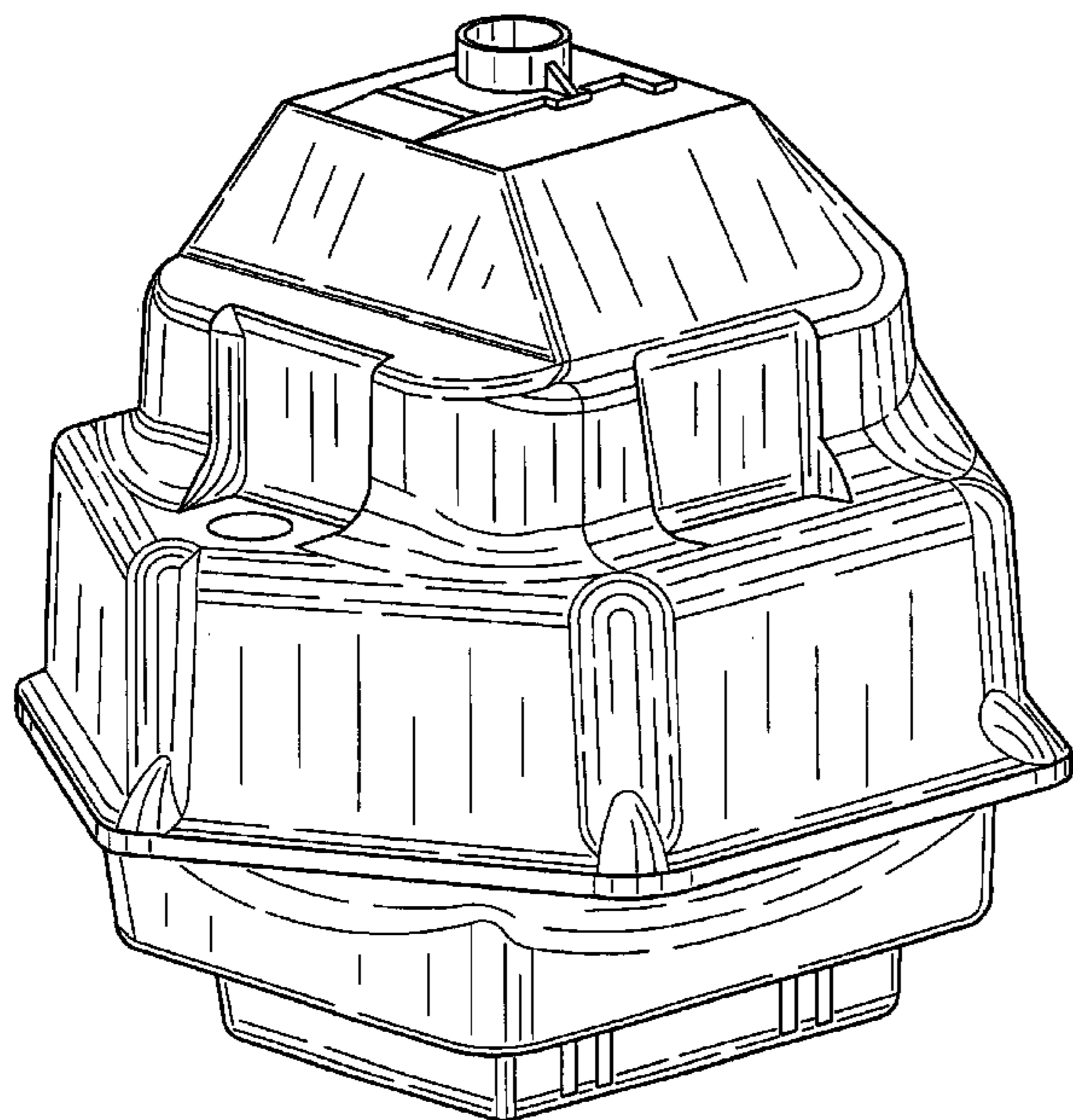
FIG. 5 is a rear elevational view thereof.

FIG. 6 is a left side elevational view thereof.

FIG. 7 is an enlarged top plan view thereof; and,

FIG. 8 is an enlarged bottom plan view thereof.

1 Claim, 5 Drawing Sheets



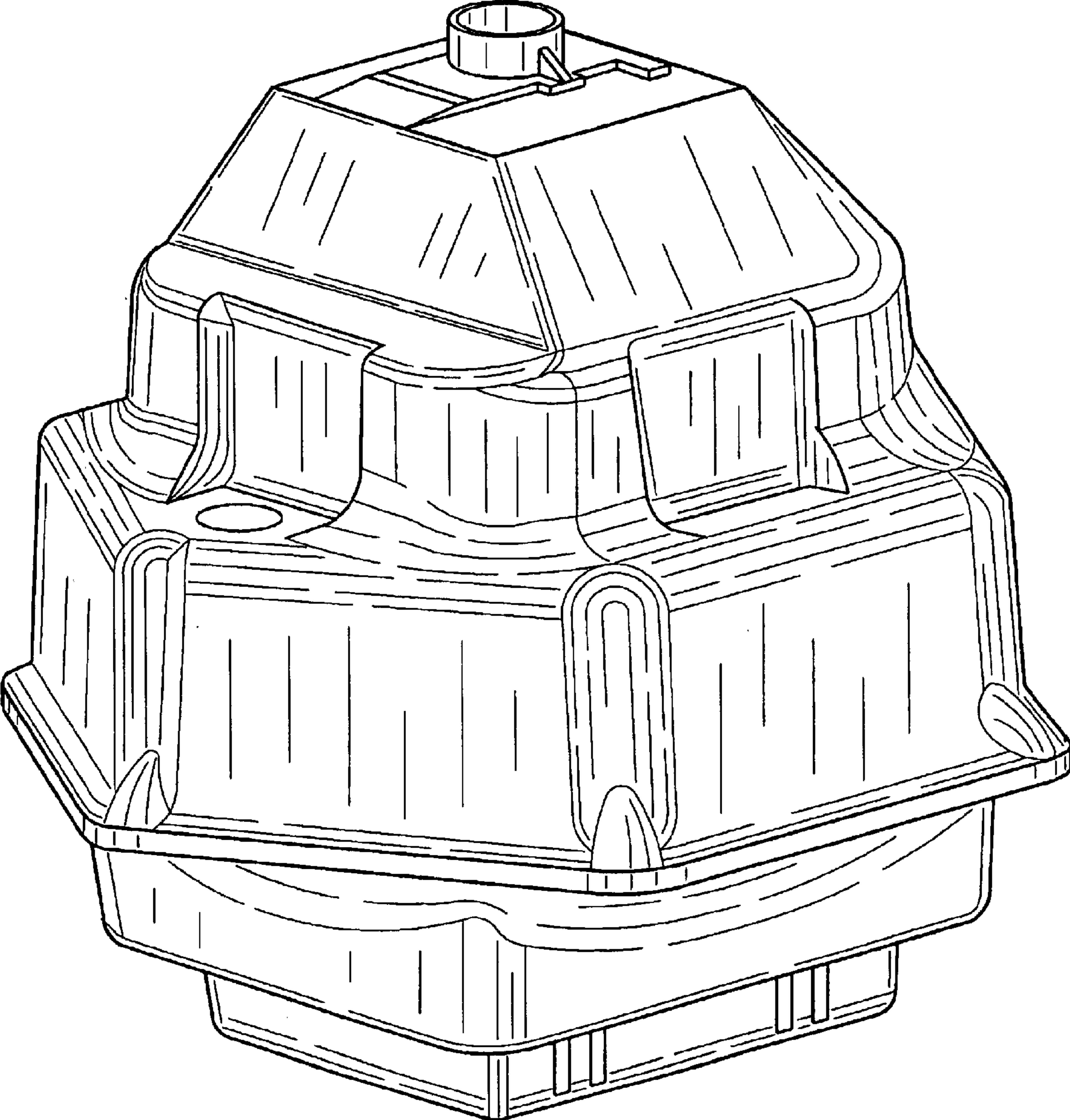


Fig. 1

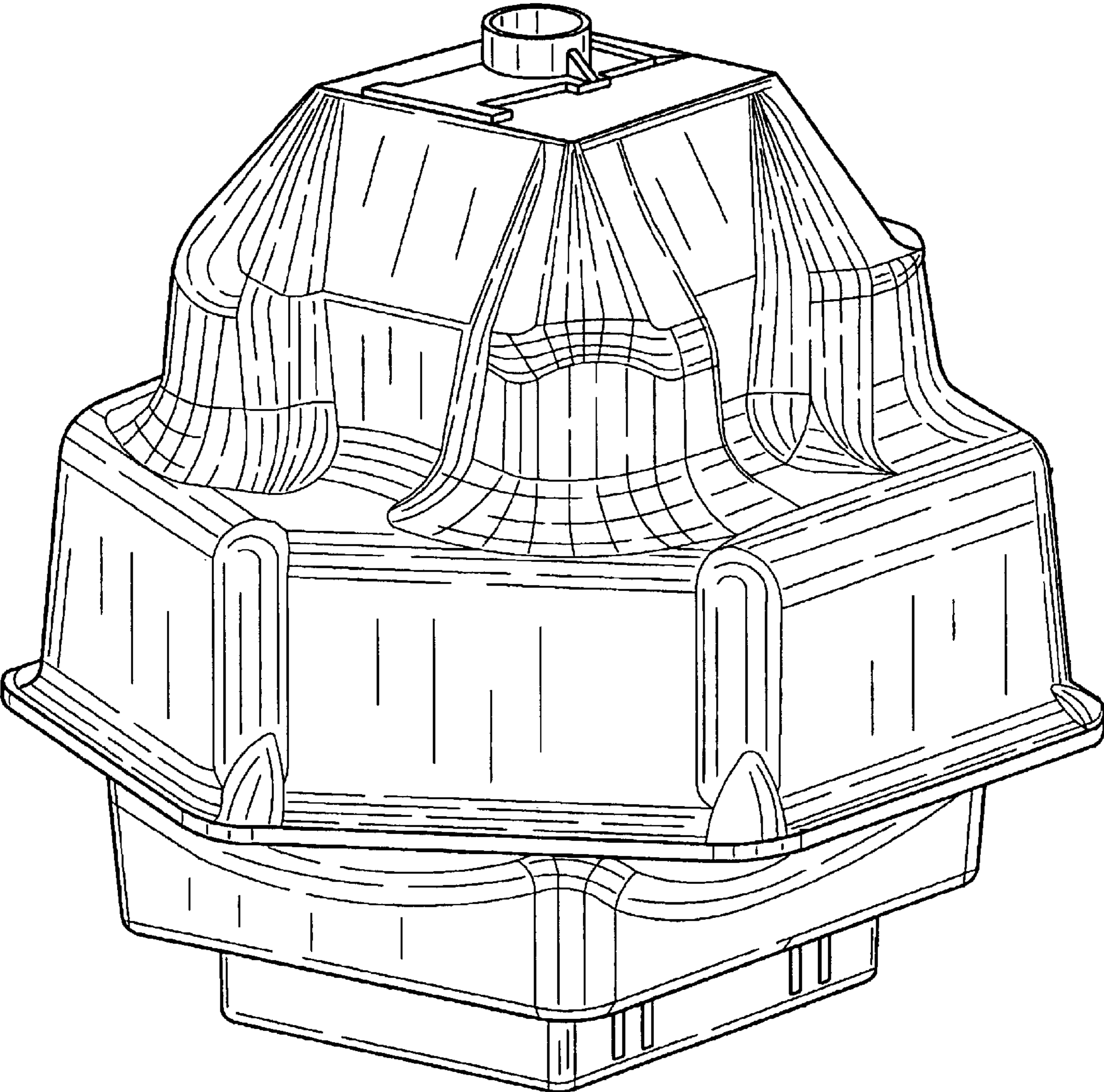


Fig. 2

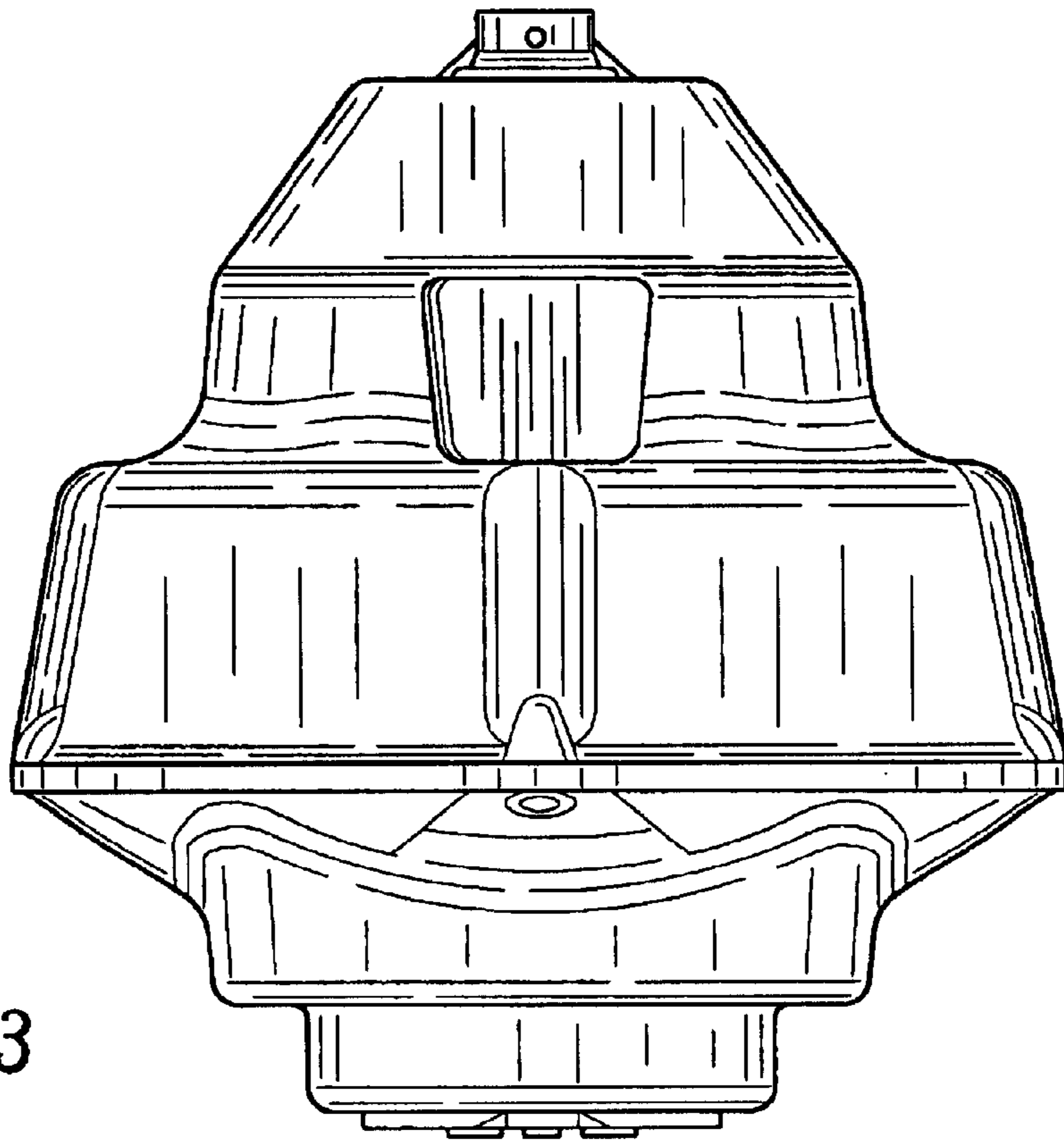


Fig. 3

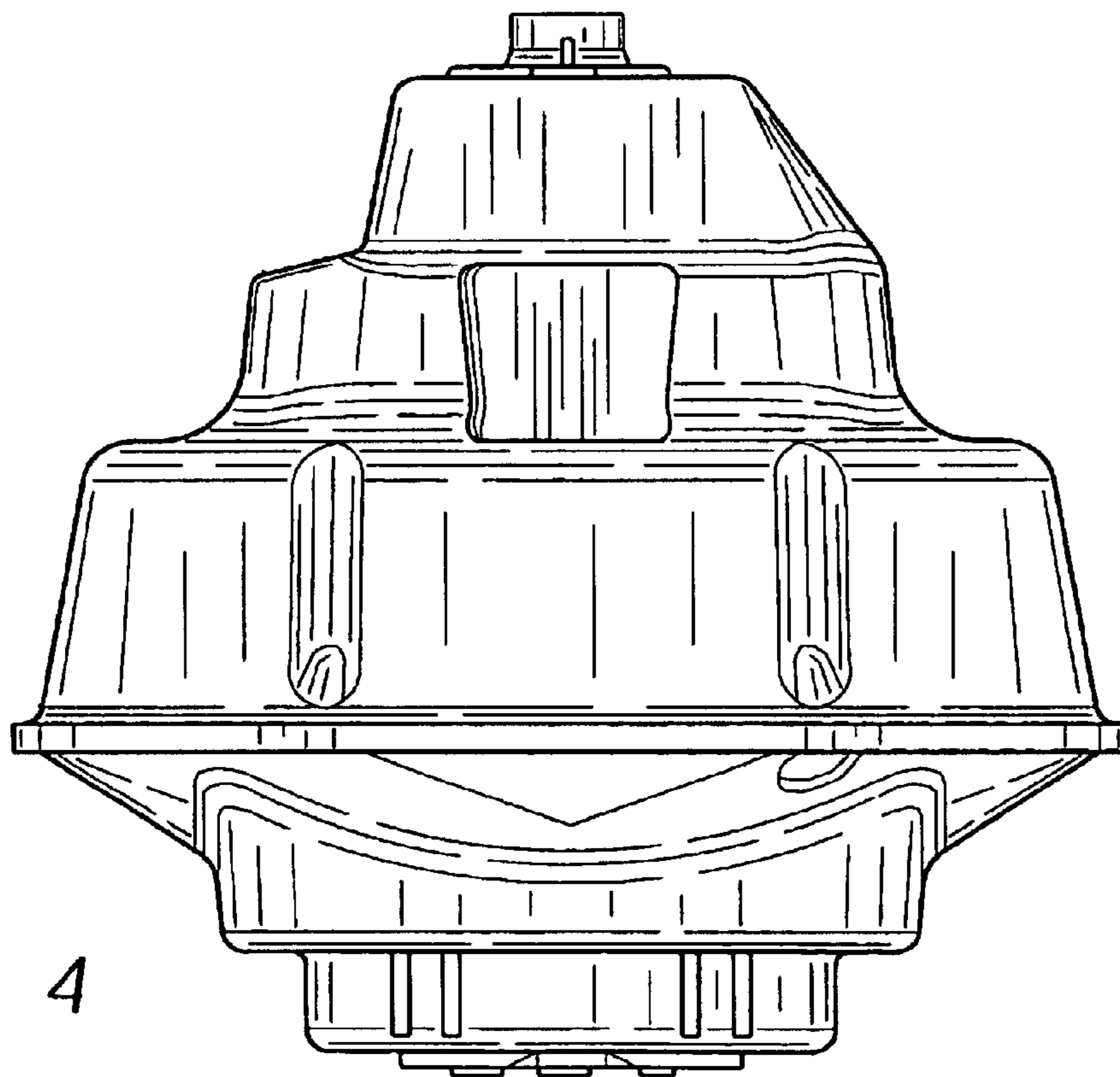


Fig. 4

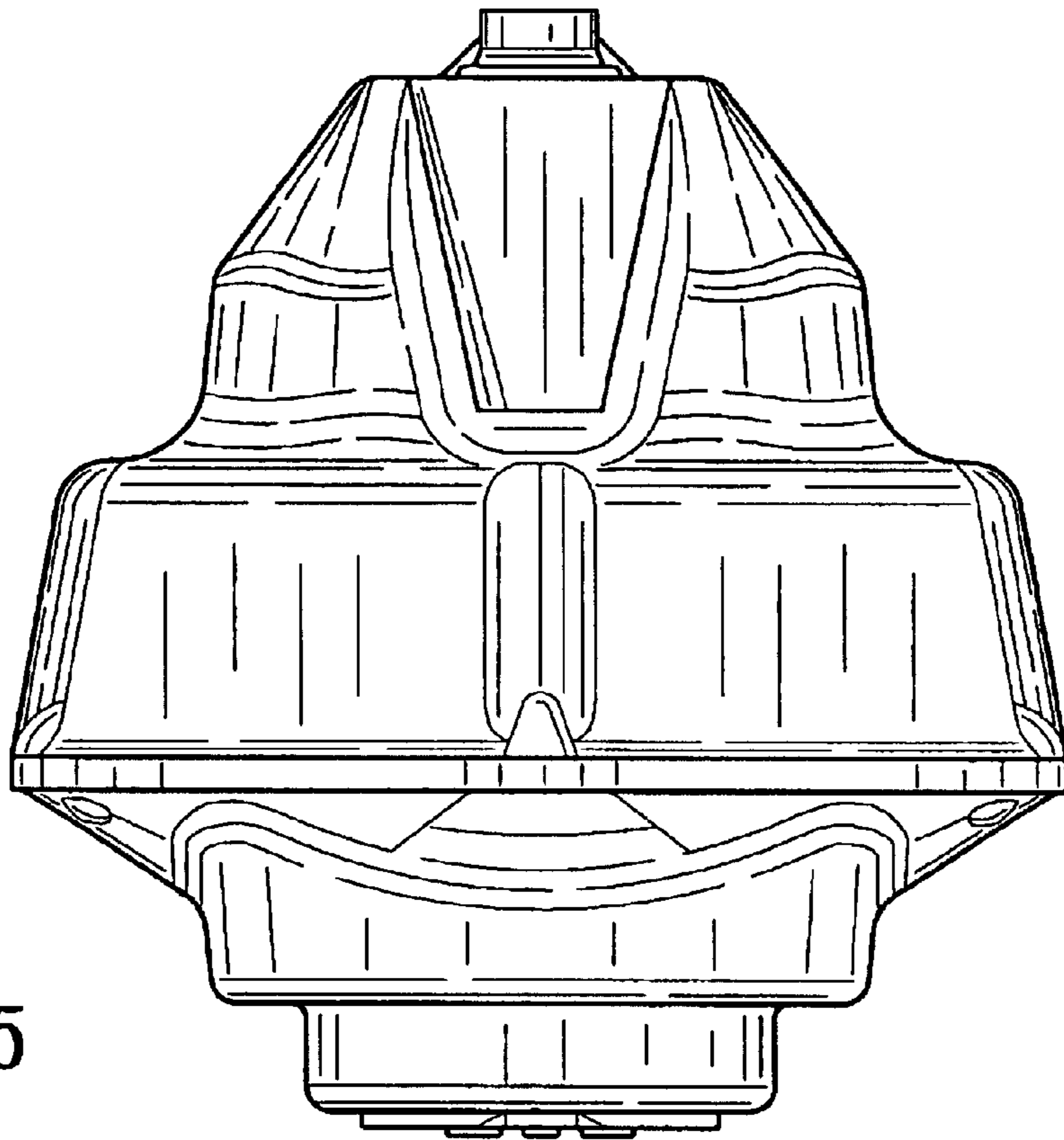


Fig. 5

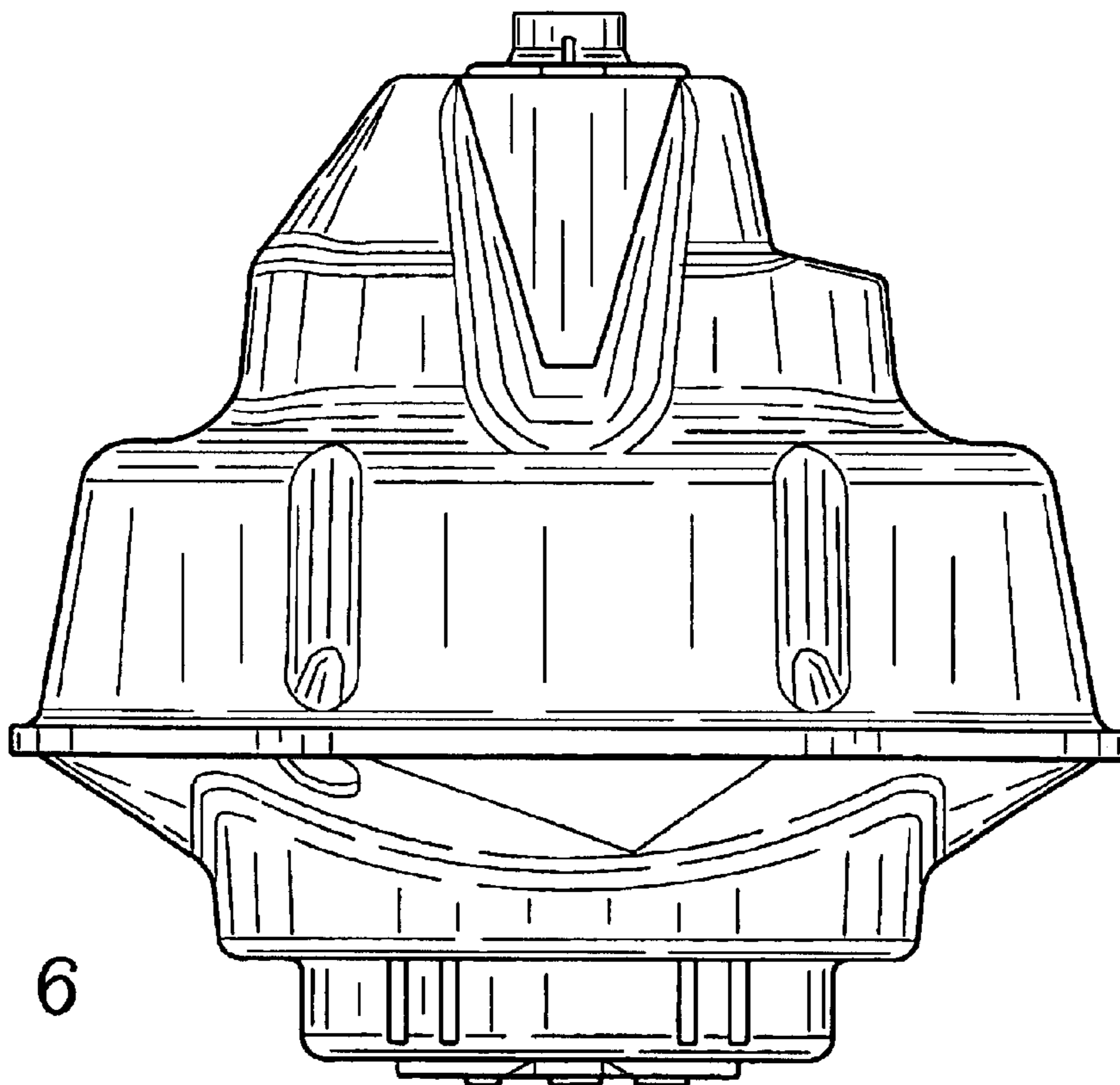


Fig. 6

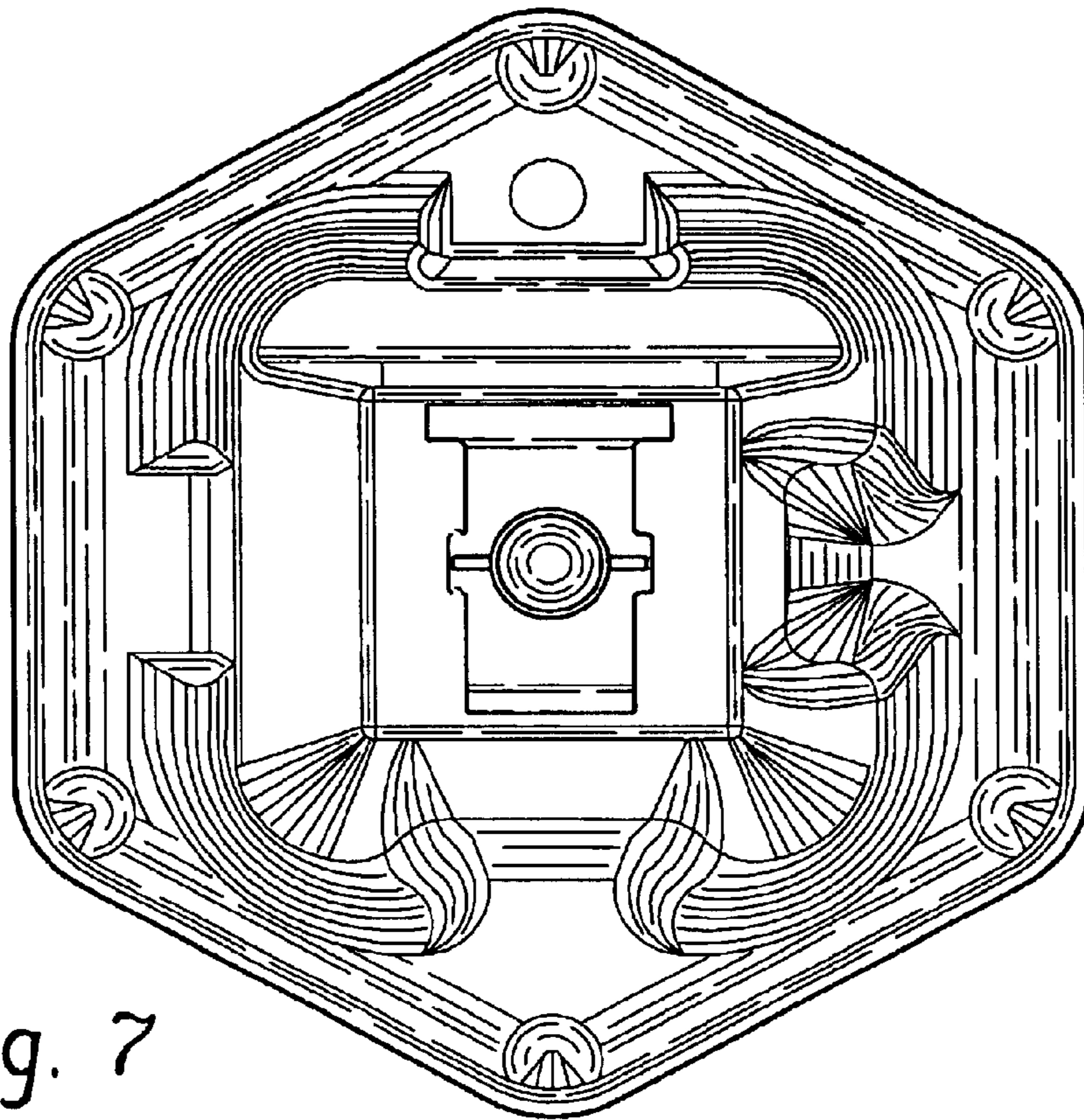


Fig. 7

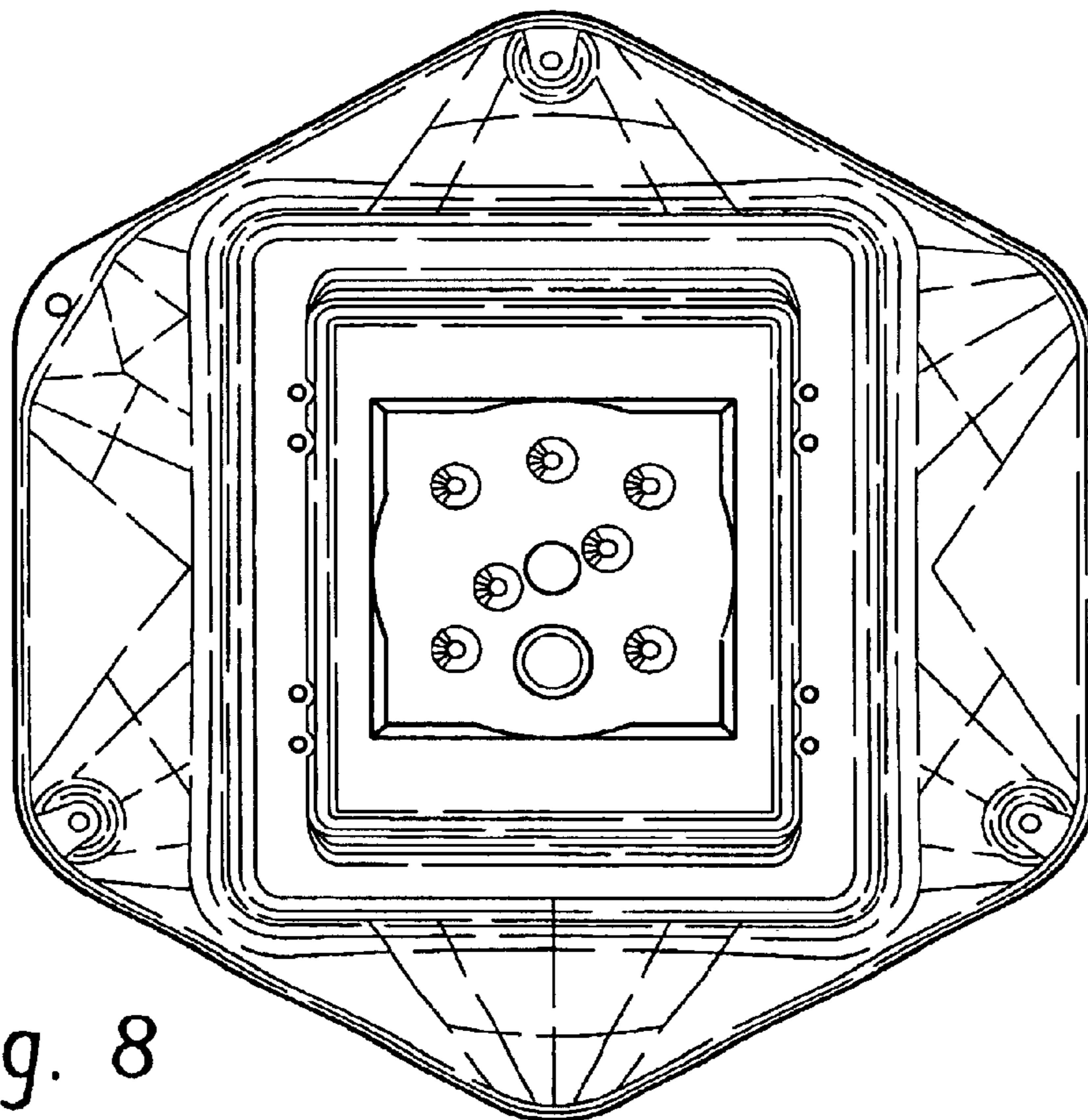


Fig. 8