

US00D493556S1

(12) **United States Design Patent** (10) **Patent No.:** **US D493,556 S**  
**Yuen** (45) **Date of Patent:** **\*\* Jul. 27, 2004**

(54) **WEATHER PROOF RECHARGEABLE HALOGEN LANTERN**

*Primary Examiner*—Marcus A. Jackson  
(74) *Attorney, Agent, or Firm*—Alix, Yale & Ristas, LLP

(75) **Inventor:** **John Se Kit Yuen, Kowloon (HK)**

(57) **CLAIM**

(73) **Assignee:** **John Manufacturing Limited, Kowloon (HK)**

The ornamental design for a weather proof rechargeable halogen lantern, as shown and described.

(\*\*) **Term:** **14 Years**

**DESCRIPTION**

(21) **Appl. No.:** **29/192,174**

FIG. 1 is a front view of a weather proof rechargeable halogen lantern showing my new design;

(22) **Filed:** **Oct. 20, 2003**

FIG. 2 is a rear view thereof;

(30) **Foreign Application Priority Data**

Apr. 24, 2003 (GB) ..... 3012301

FIG. 3 is a left side view thereof;

(51) **LOC (7) Cl.** ..... **26-02**

FIG. 4 is a right side view thereof;

(52) **U.S. Cl.** ..... **D26/46**

FIG. 5 is a top plan view thereof;

(58) **Field of Search** ..... **D26/37-50; 362/157, 362/158, 171-174, 183-208**

FIG. 6 is a bottom plan view thereof;

(56) **References Cited**

**U.S. PATENT DOCUMENTS**

D409,776 S \* 5/1999 Ghode et al. .... D26/42

FIG. 7 is a perspective view thereof, taken generally from above and the front portion thereof;

D418,238 S \* 12/1999 Offiler ..... D26/42

FIG. 8 is a perspective view thereof, taken generally from below and a rear portion thereof;

D442,716 S \* 5/2001 Yuen ..... D26/42

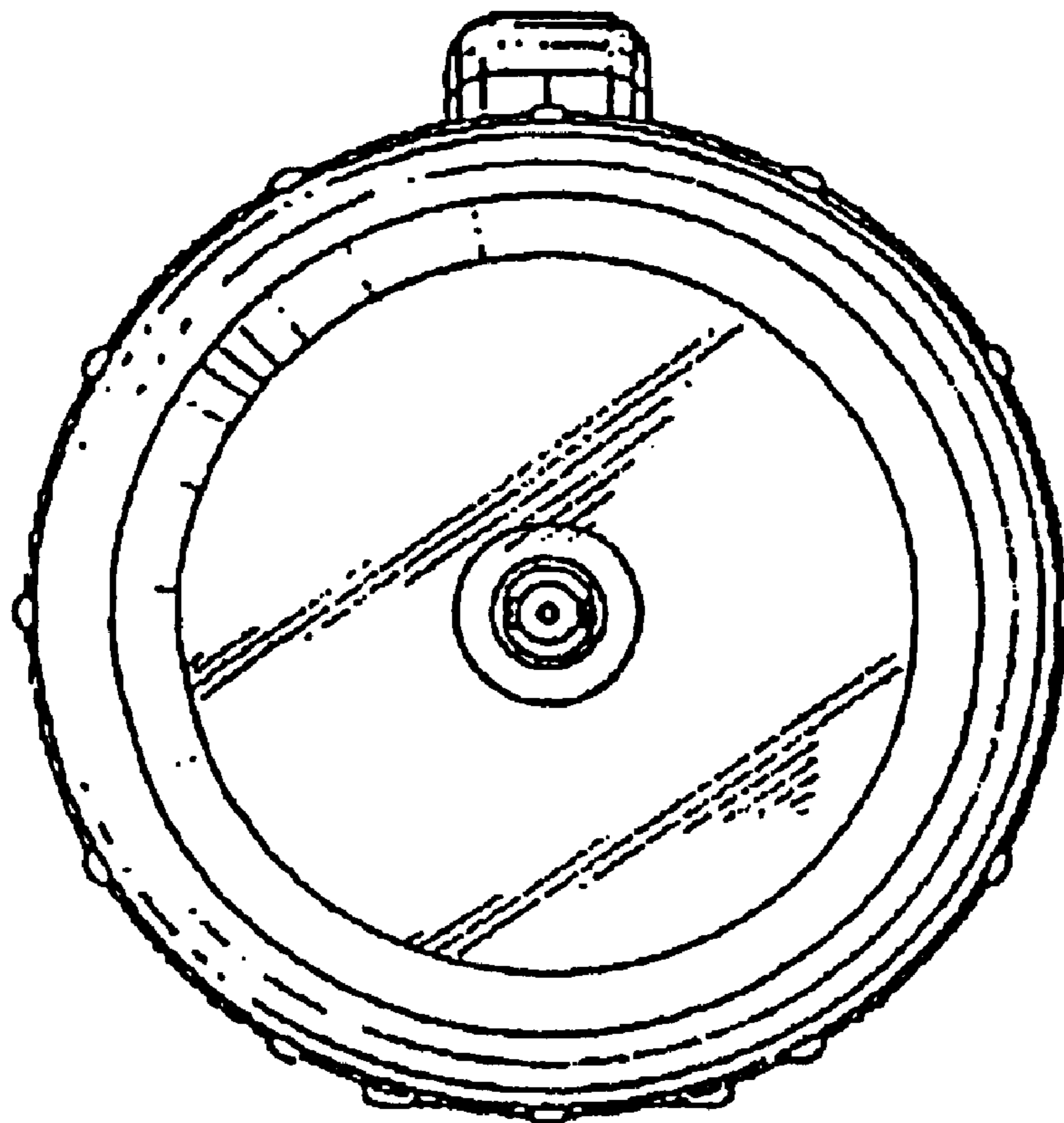
FIG. 9 is a perspective view thereof, taken generally from above and the right portion thereof, showing with the stand shown in an optional alternative position; and,

D448,875 S \* 10/2001 Yuen ..... D26/42

FIG. 10 is a perspective view thereof, taken generally from below and the rear thereof with the stand shown in an optional alternative position.

\* cited by examiner

**1 Claim, 3 Drawing Sheets**



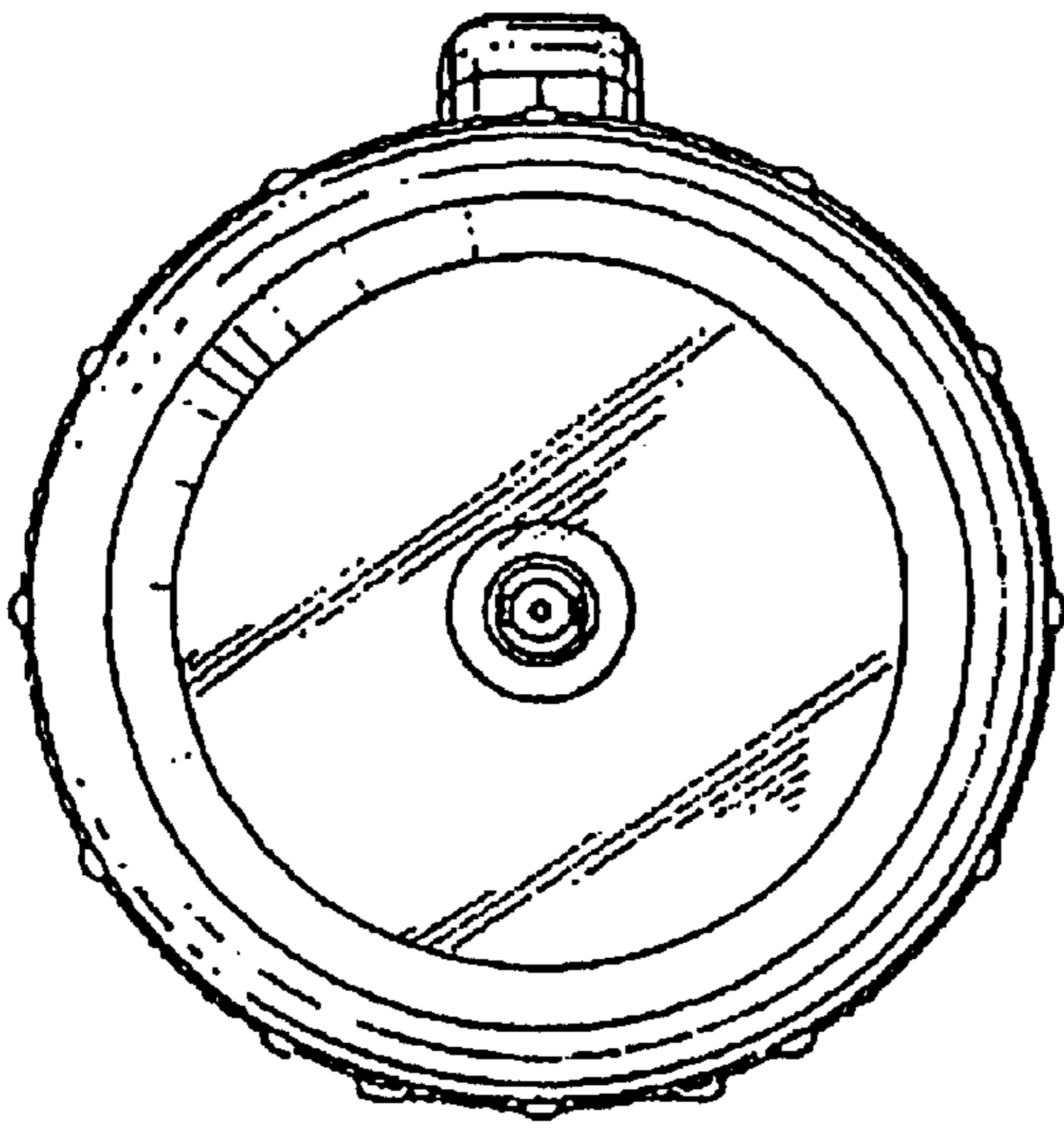


Figure 1

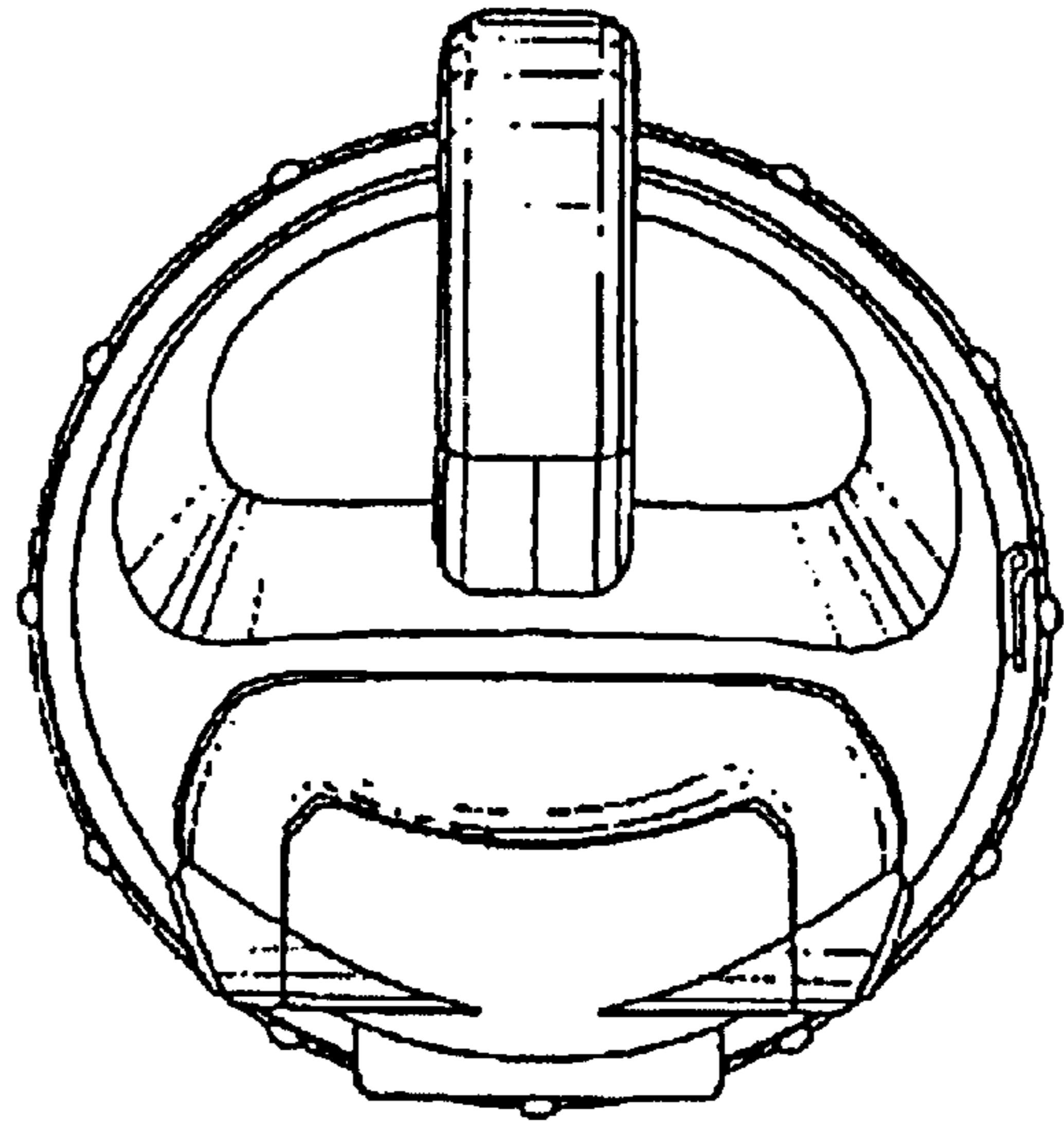


Figure 2

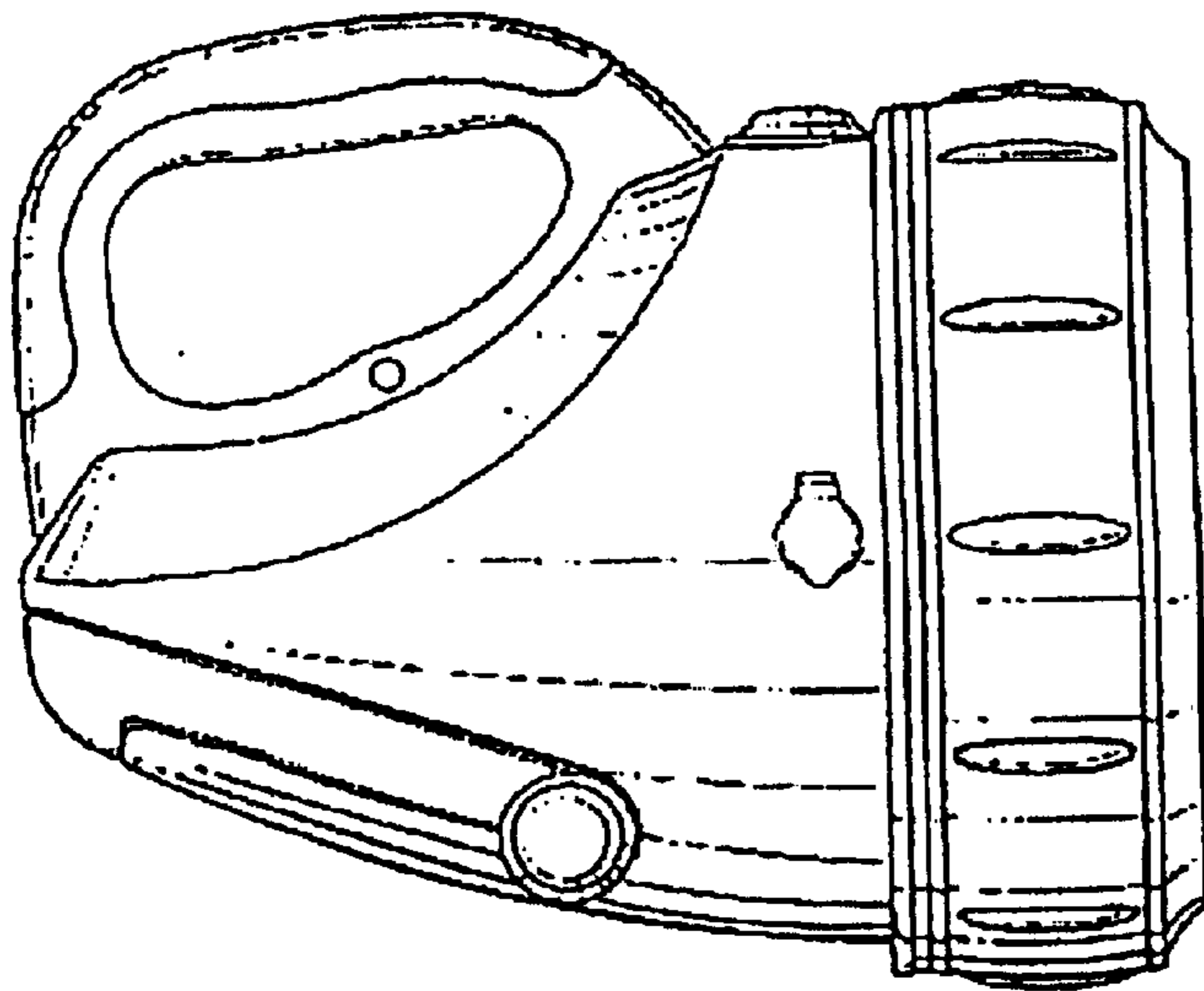


Figure 3

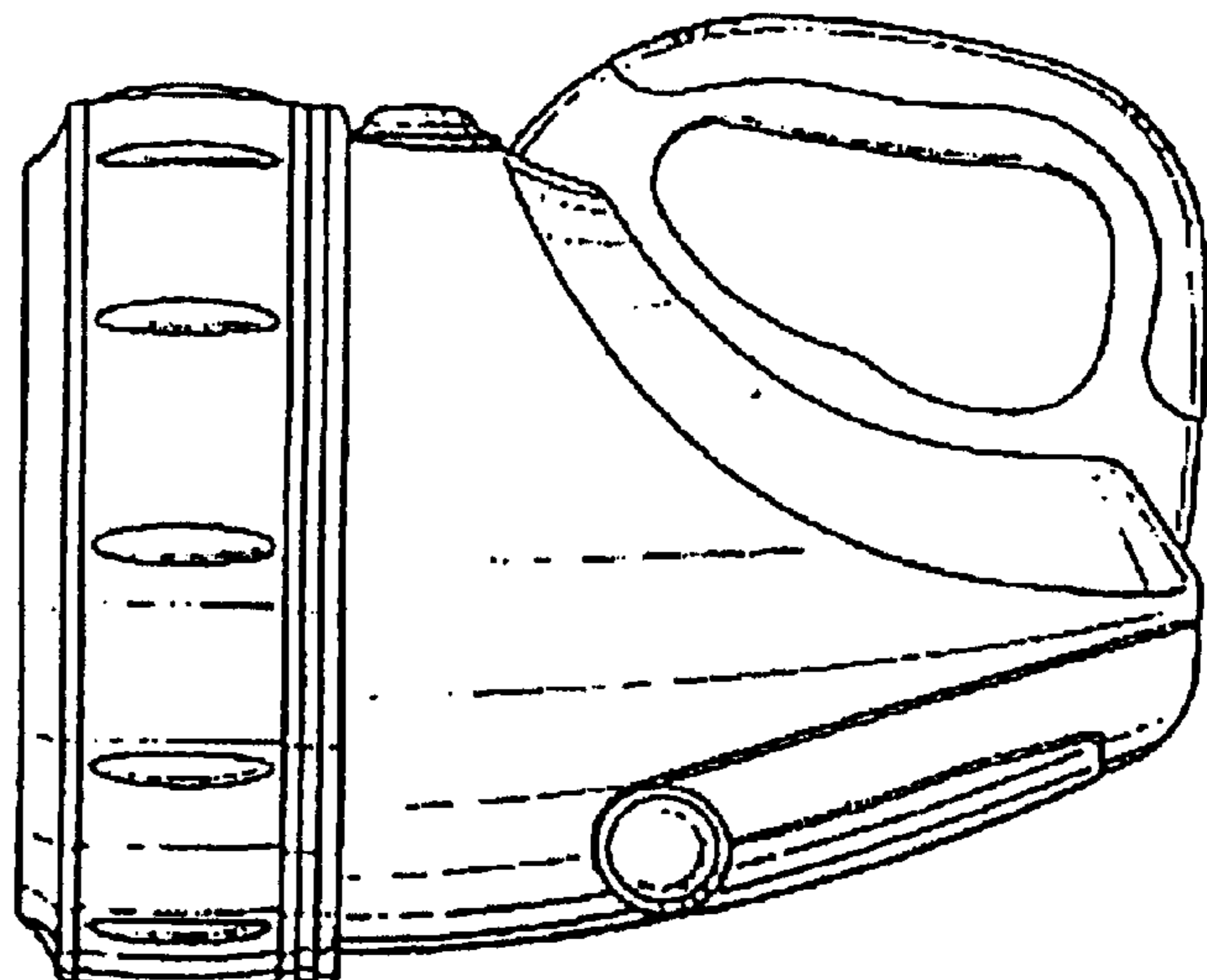


Figure 4

Figure 5

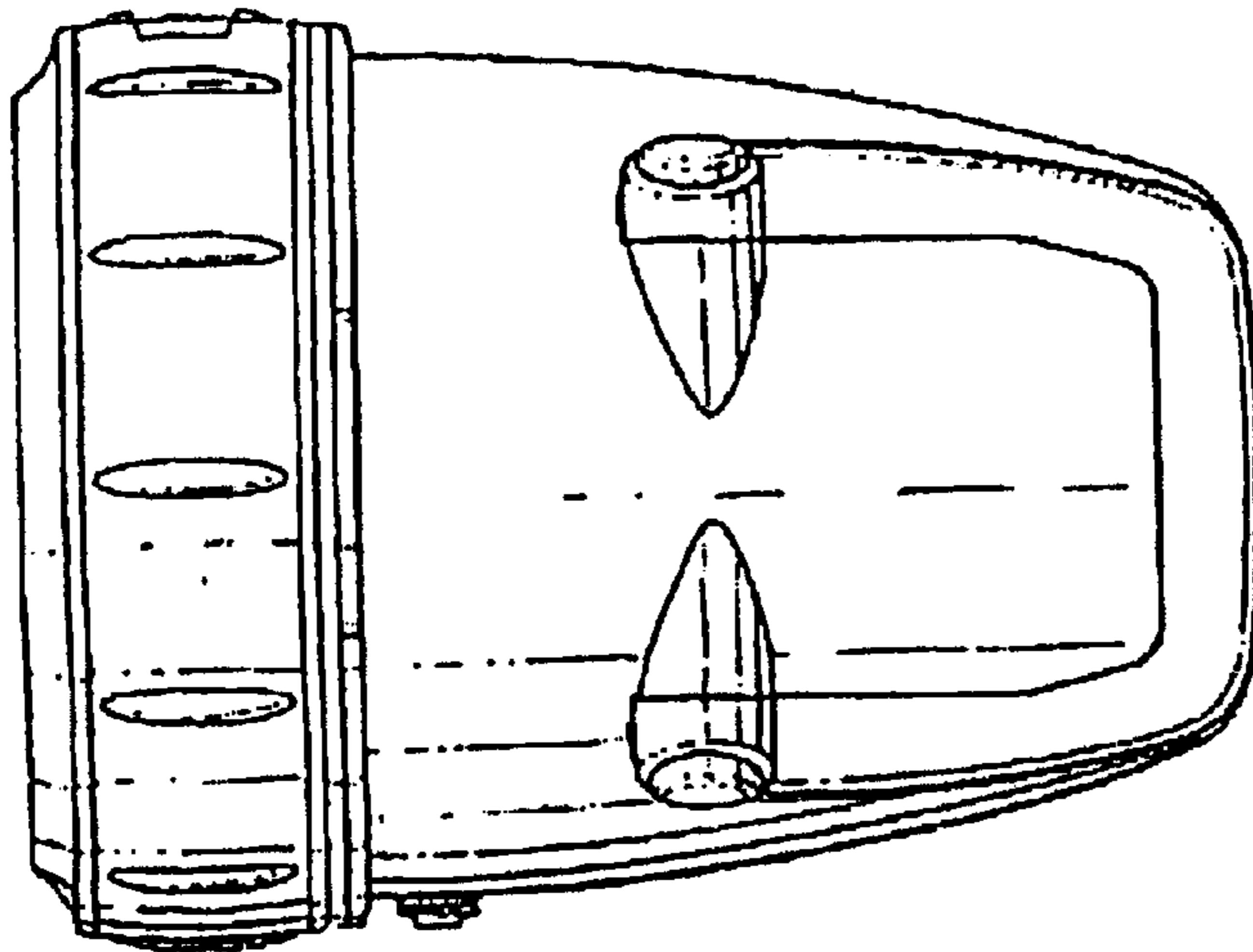
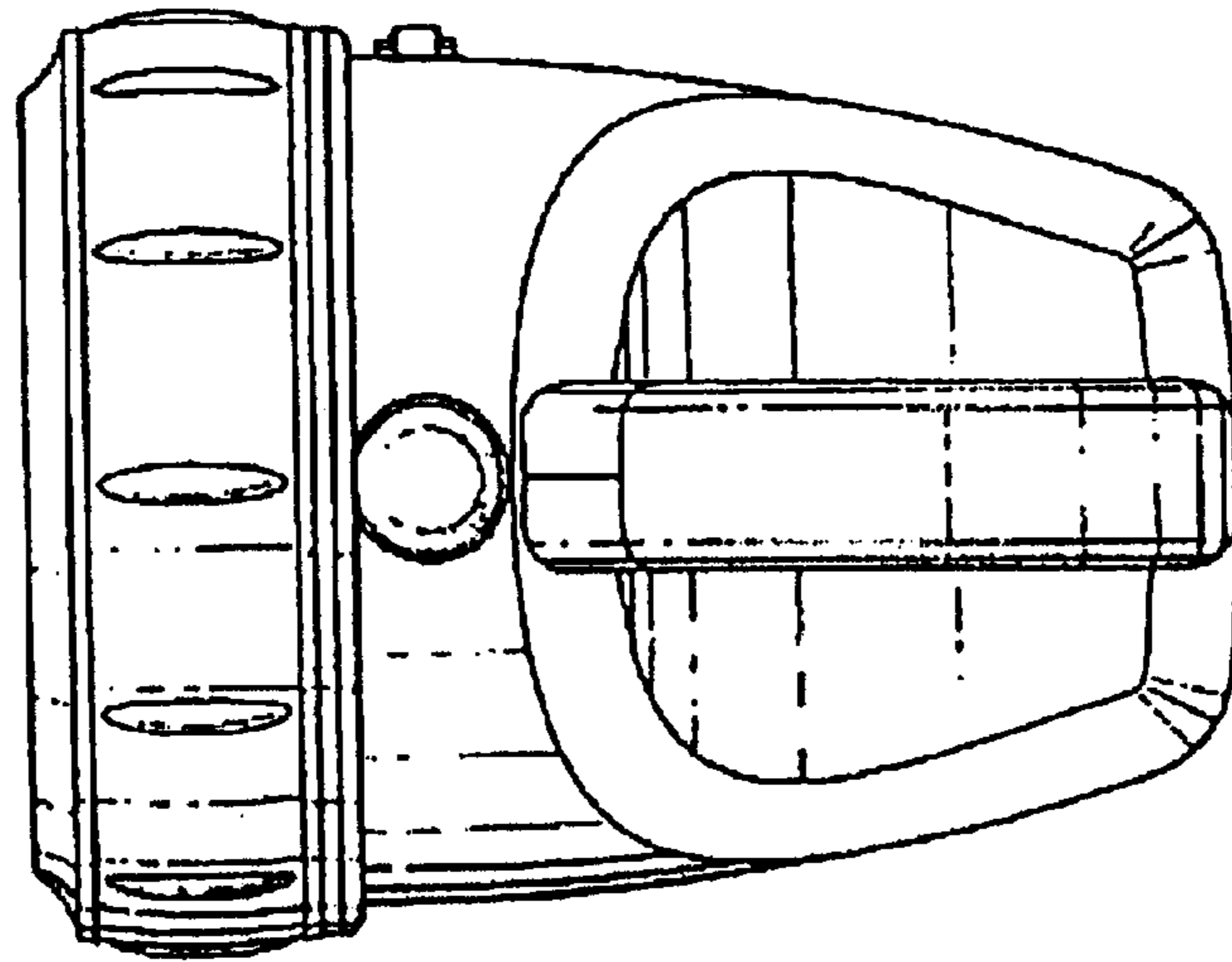


Figure 6

Figure 7

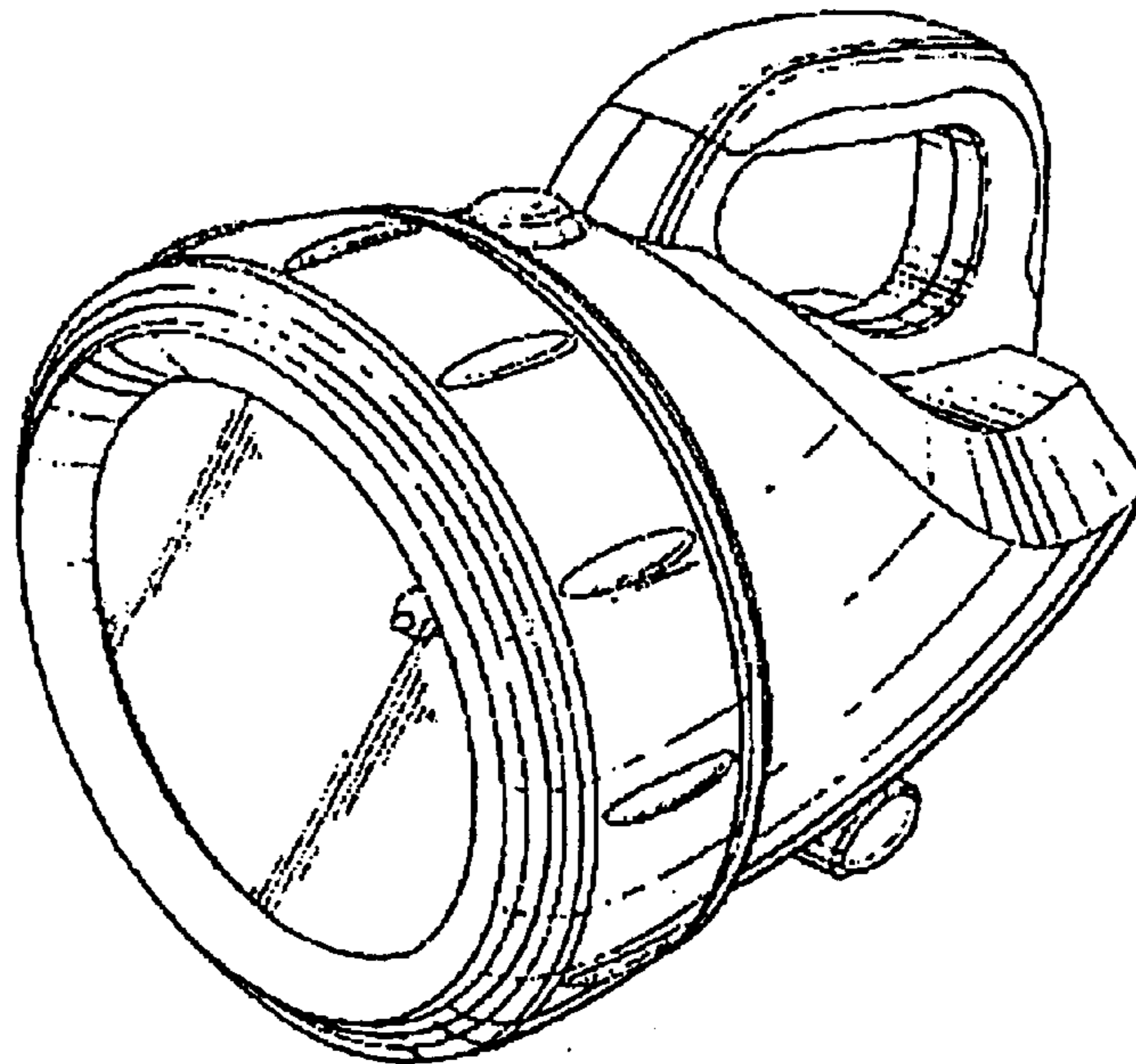


Figure 8

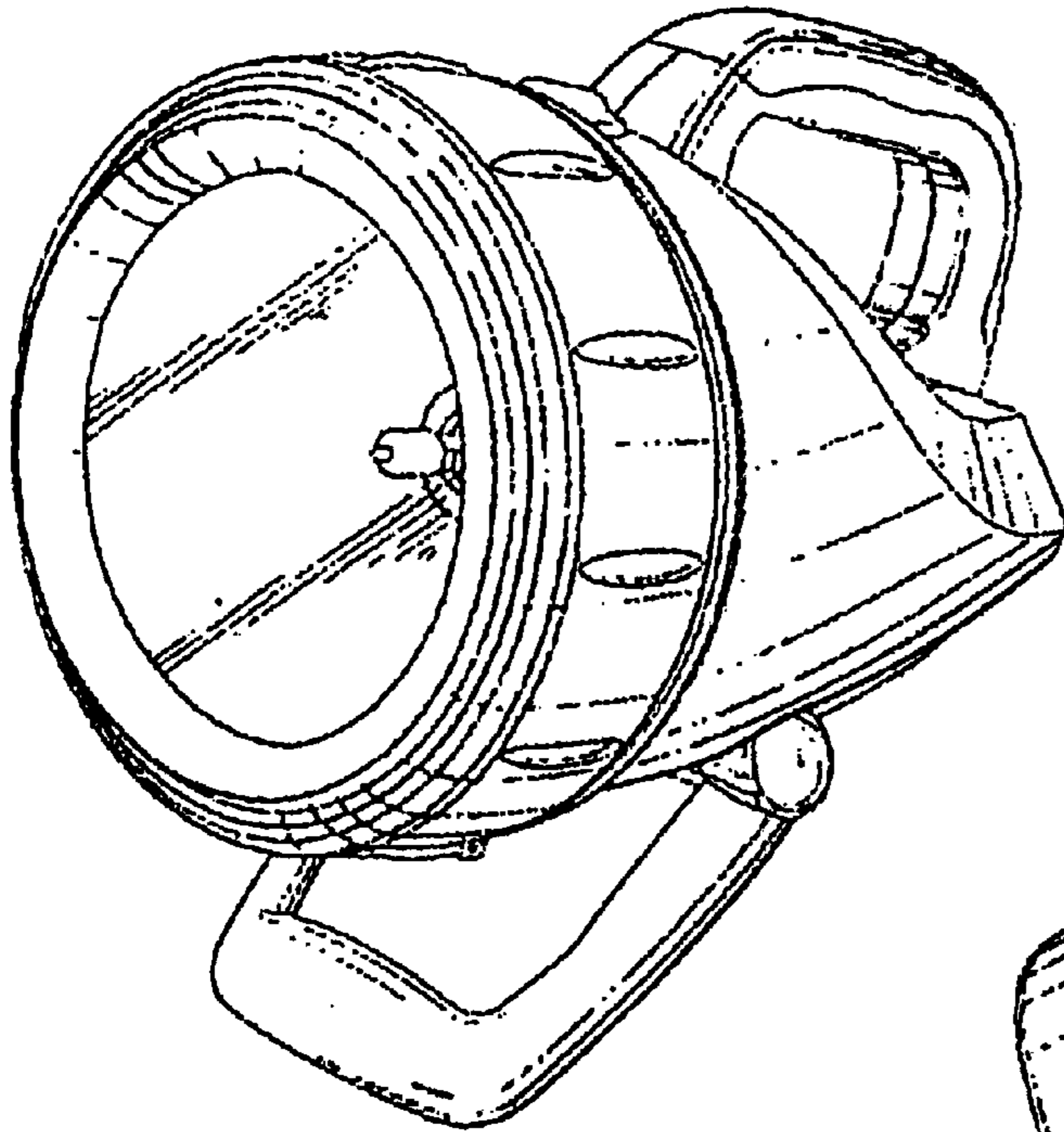
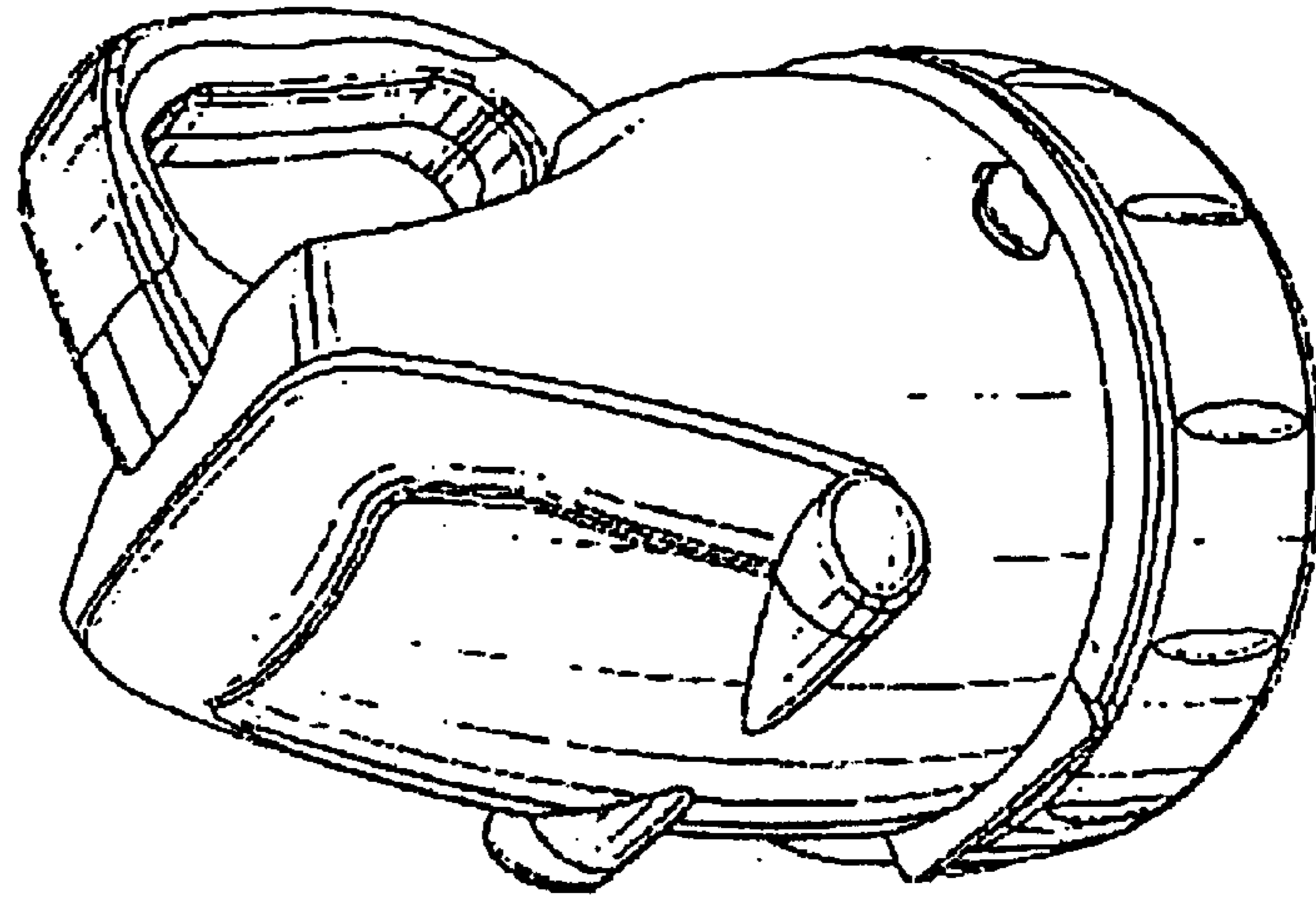


Figure 9

Figure 10

