

US00D493547S1

(12) **United States Design Patent**  
**Kim**

(10) **Patent No.:** **US D493,547 S**  
(45) **Date of Patent:** **\*\* Jul. 27, 2004**

(54) **COMPACT FLUORESCENT LAMP**

D471,653 S \* 3/2003 Lin et al. .... D26/3

(75) **Inventor:** **Jong-Hwooi Kim, Seoul (KR)**

\* cited by examiner

(73) **Assignee:** **Susung Industrial Company, Ltd., Seoul (KR)**

*Primary Examiner*—Marcus A. Jackson  
(74) *Attorney, Agent, or Firm*—Greenblum & Bernstein, P.L.C.

(\*\*) **Term:** **14 Years**

(57) **CLAIM**

(21) **Appl. No.:** **29/191,710**

I claim the ornamental design for a compact fluorescent lamp, as shown and described.

(22) **Filed:** **Oct. 14, 2003**

**DESCRIPTION**

(51) **LOC (7) Cl.** ..... **26-04**

(52) **U.S. Cl.** ..... **D26/3**

(58) **Field of Search** ..... D26/1-4; 313/313, 313/318, 493; 315/53, 56, 57, 58; 362/318, 493

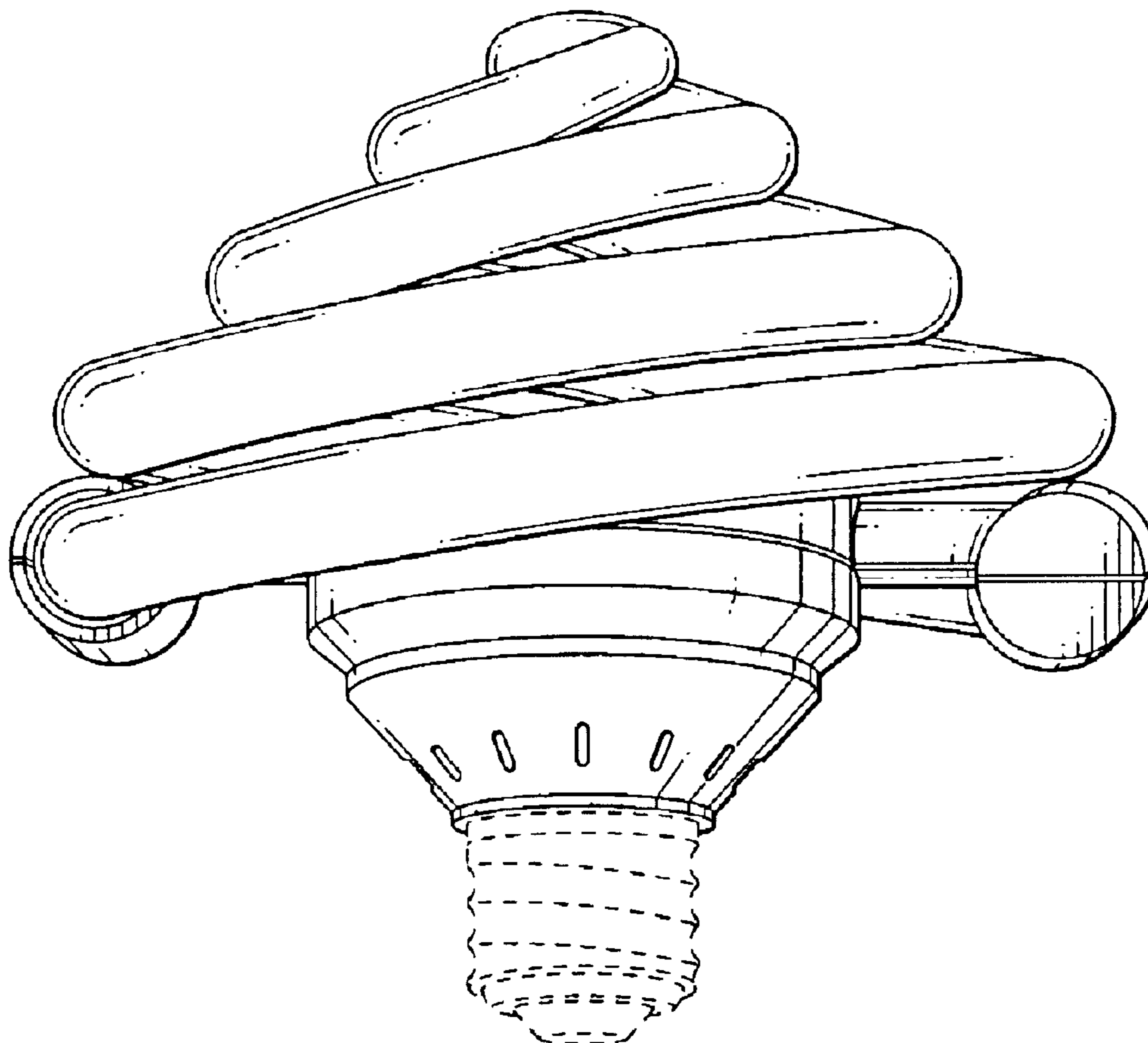
FIG. 1 is a front perspective view of an embodiment of a compact fluorescent lamp, showing my new design; FIG. 2 is a front elevational view of the embodiment of FIG. 1; FIG. 3 is a left side elevational view of the embodiment of FIG. 1; FIG. 4 is a top plan view of the embodiment of FIG. 1; and, FIG. 5 is a bottom plan view of the embodiment of FIG.1.

(56) **References Cited**

**U.S. PATENT DOCUMENTS**

D368,144 S \* 3/1996 Holzer ..... D26/3  
D462,464 S \* 9/2002 Yeh ..... D26/3

**1 Claim, 5 Drawing Sheets**



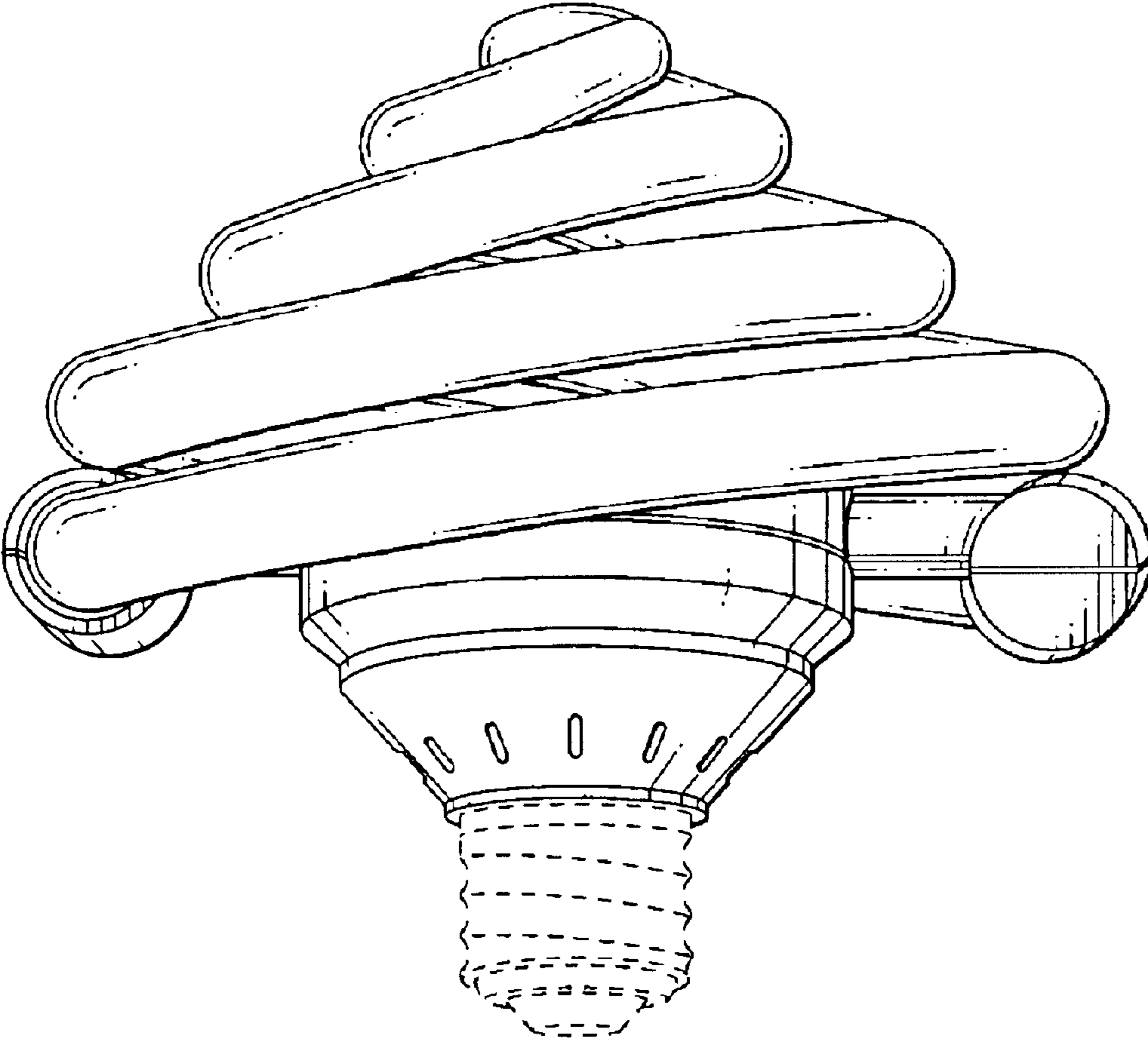


FIG. 1

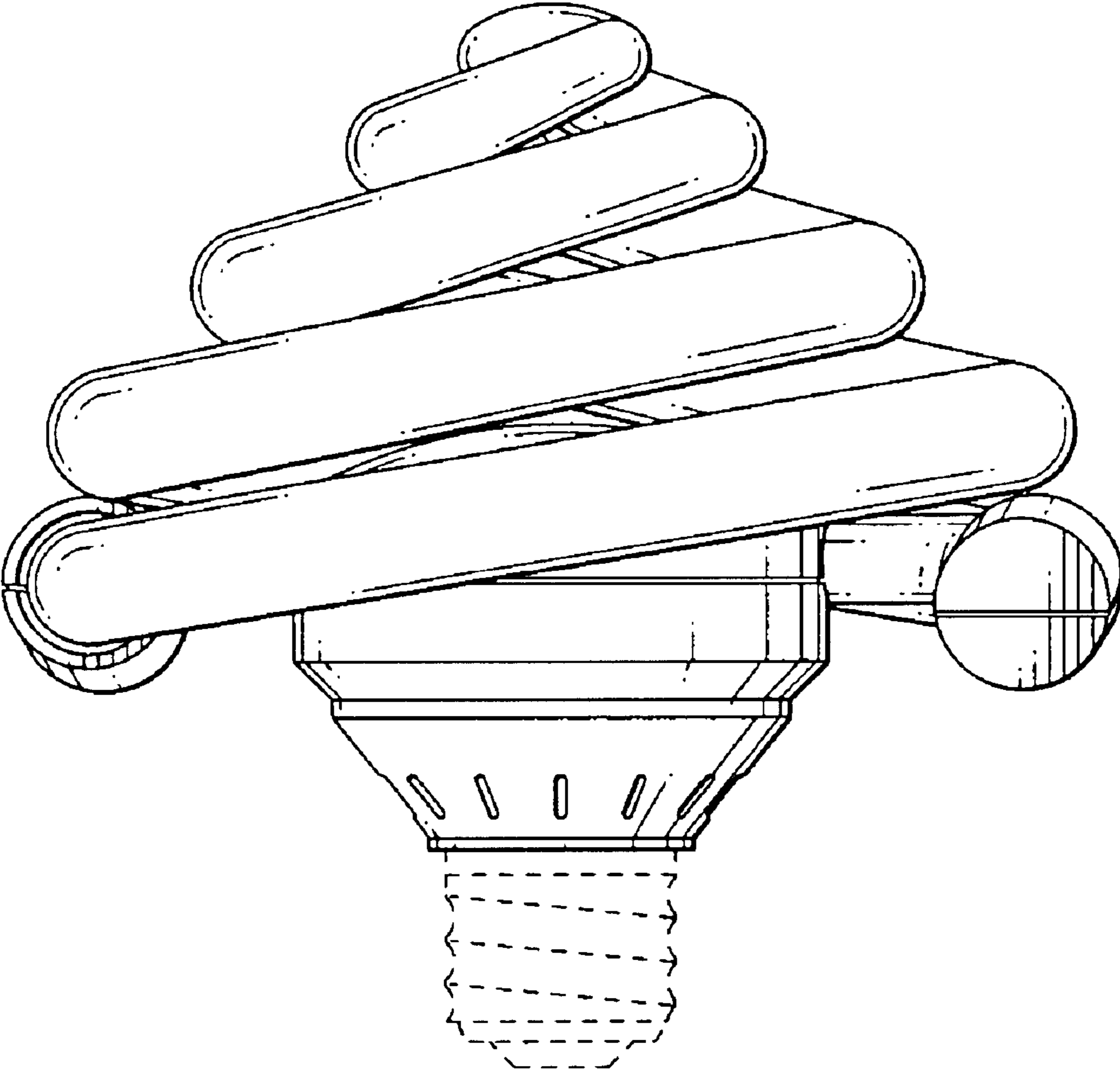


FIG. 2

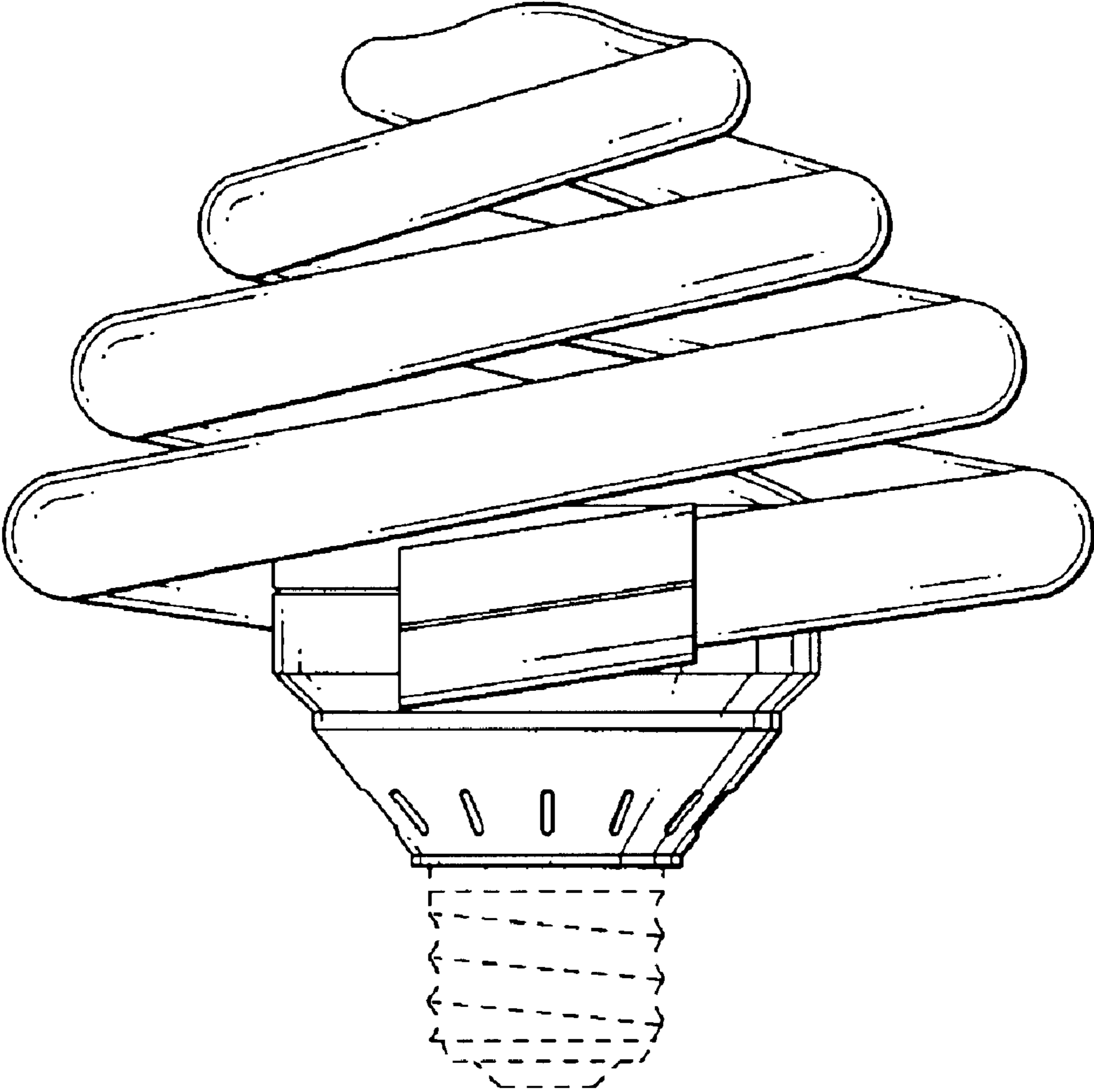


FIG. 3

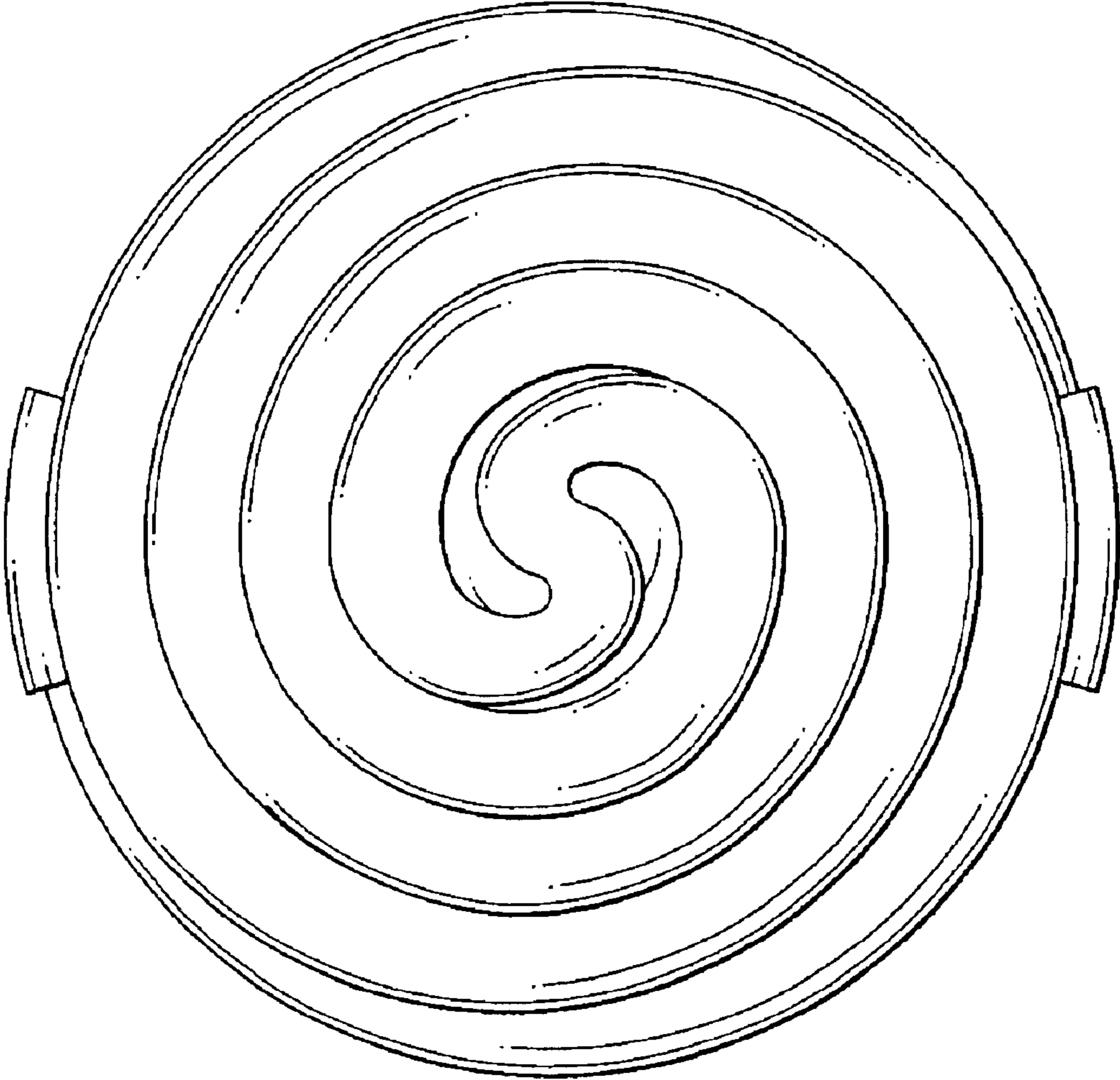


FIG. 4

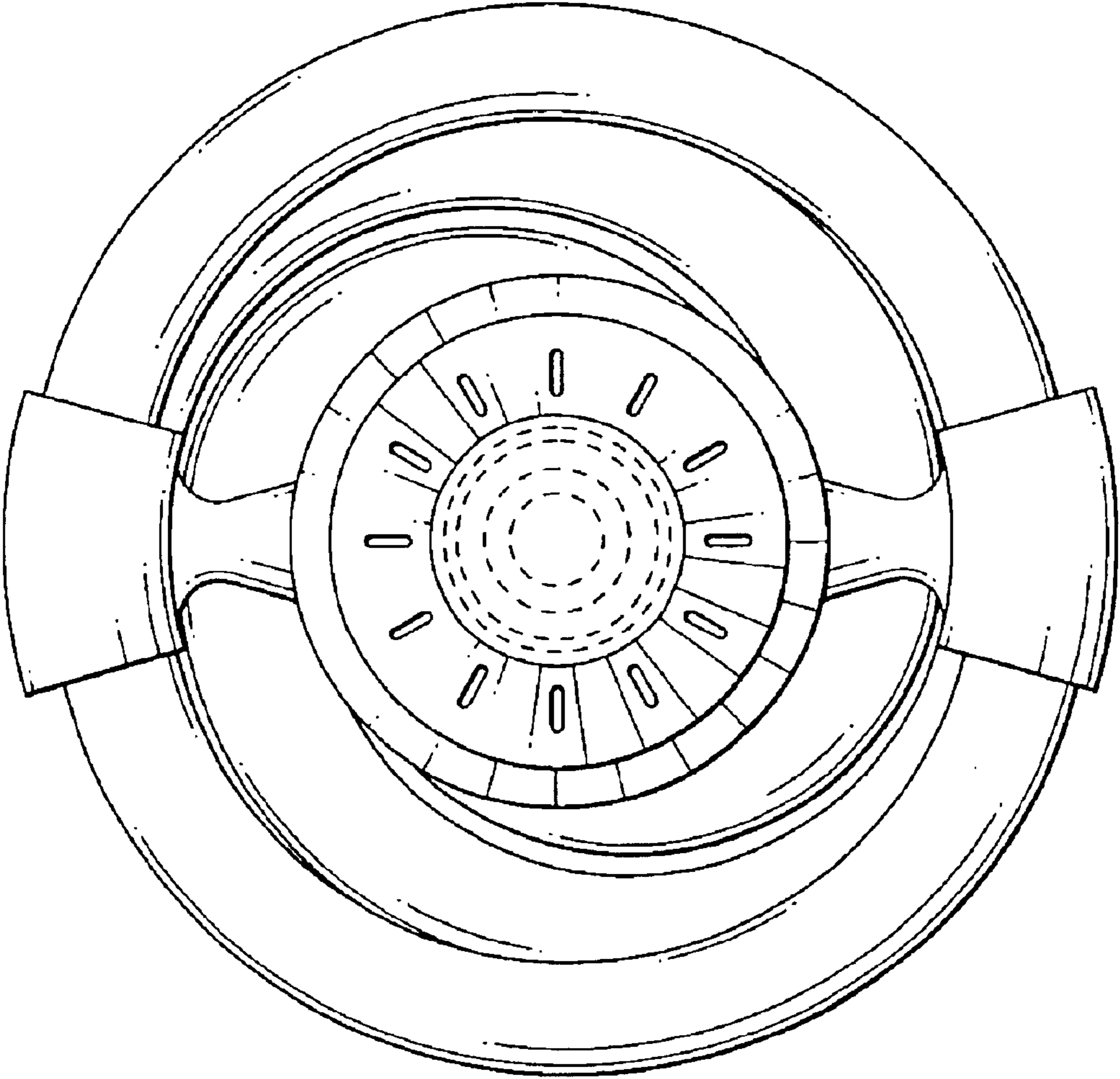


FIG. 5