

US00D493544S1

(12) **United States Design Patent**
Cole

(10) **Patent No.:** **US D493,544 S**
(45) **Date of Patent:** **** Jul. 27, 2004**

(54) **WINDOW COMPONENT EXTRUSION**

D418,231 S * 12/1999 DiGiorgio D25/124

(75) **Inventor:** **Douglas L. Cole**, Seattle, WA (US)

* cited by examiner

(73) **Assignee:** **Mikron Industries, Inc.**, Kent, WA (US)

Primary Examiner—Doris Clark
(74) *Attorney, Agent, or Firm*—Michael J. Folise, Esq.

(**) **Term:** **14 Years**

(57) **CLAIM**

(21) **Appl. No.:** **29/189,087**

The ornamental design for a window component extrusion, as shown and described.

(22) **Filed:** **Aug. 27, 2003**

(51) **LOC (7) Cl.** **25-01**

(52) **U.S. Cl.** **D25/125**

(58) **Field of Search** D25/124, 125, D25/60, 52; 52/204.1, 204.51, 230.3, 205.1, 202, 730.5, 731, 738, 732, 204.5; 49/DIG. 2, 504, 505, 407, 408

DESCRIPTION

FIG. 1 is a top right perspective view of a window component extrusion which is broken in the center indicating indefinite length; and,

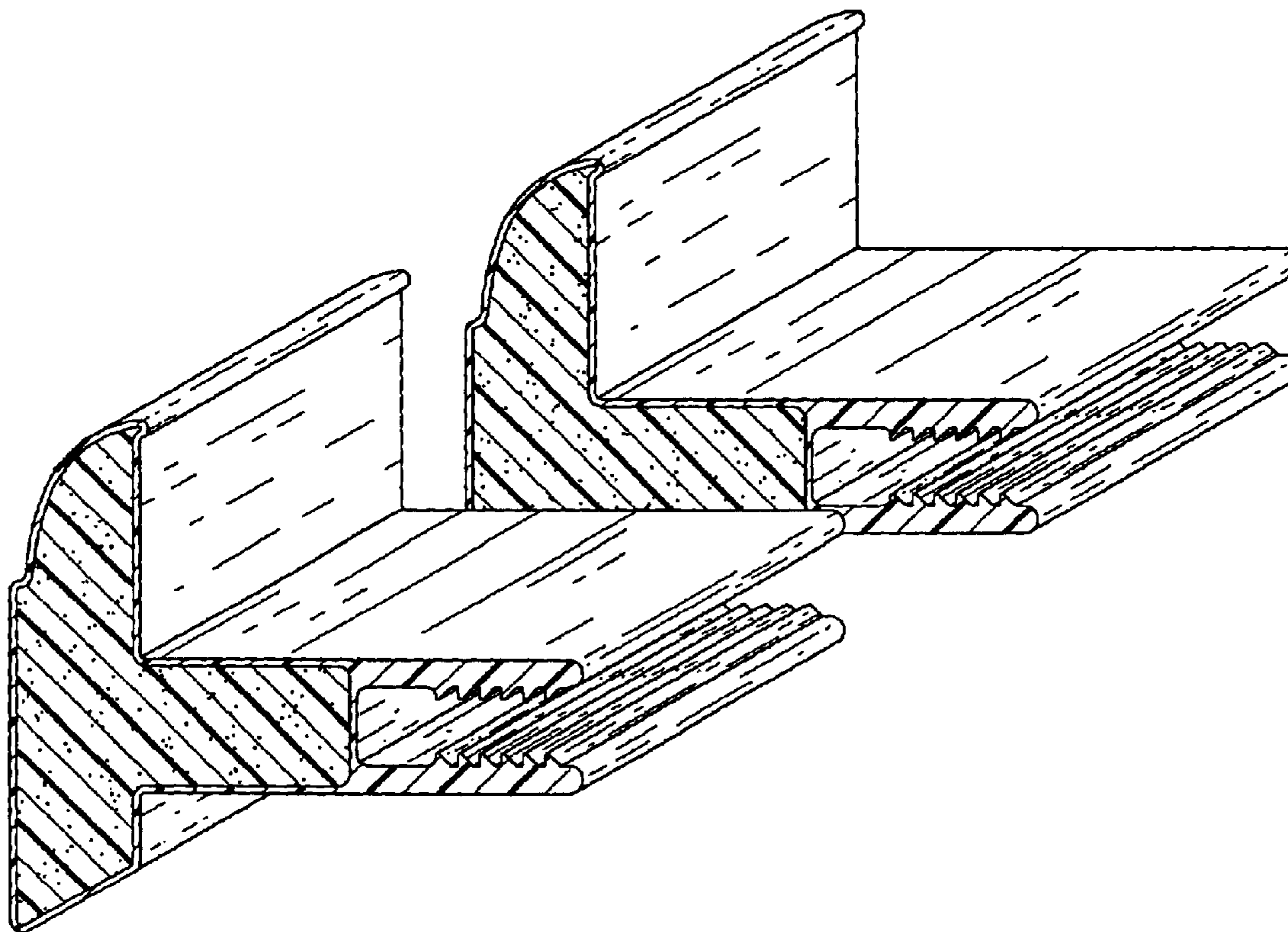
FIG. 2 is a bottom left perspective view of the window component extrusion shown in FIG. 1.

(56) **References Cited**

U.S. PATENT DOCUMENTS

D416,629 S * 11/1999 DiGiorgio D25/124

1 Claim, 1 Drawing Sheet



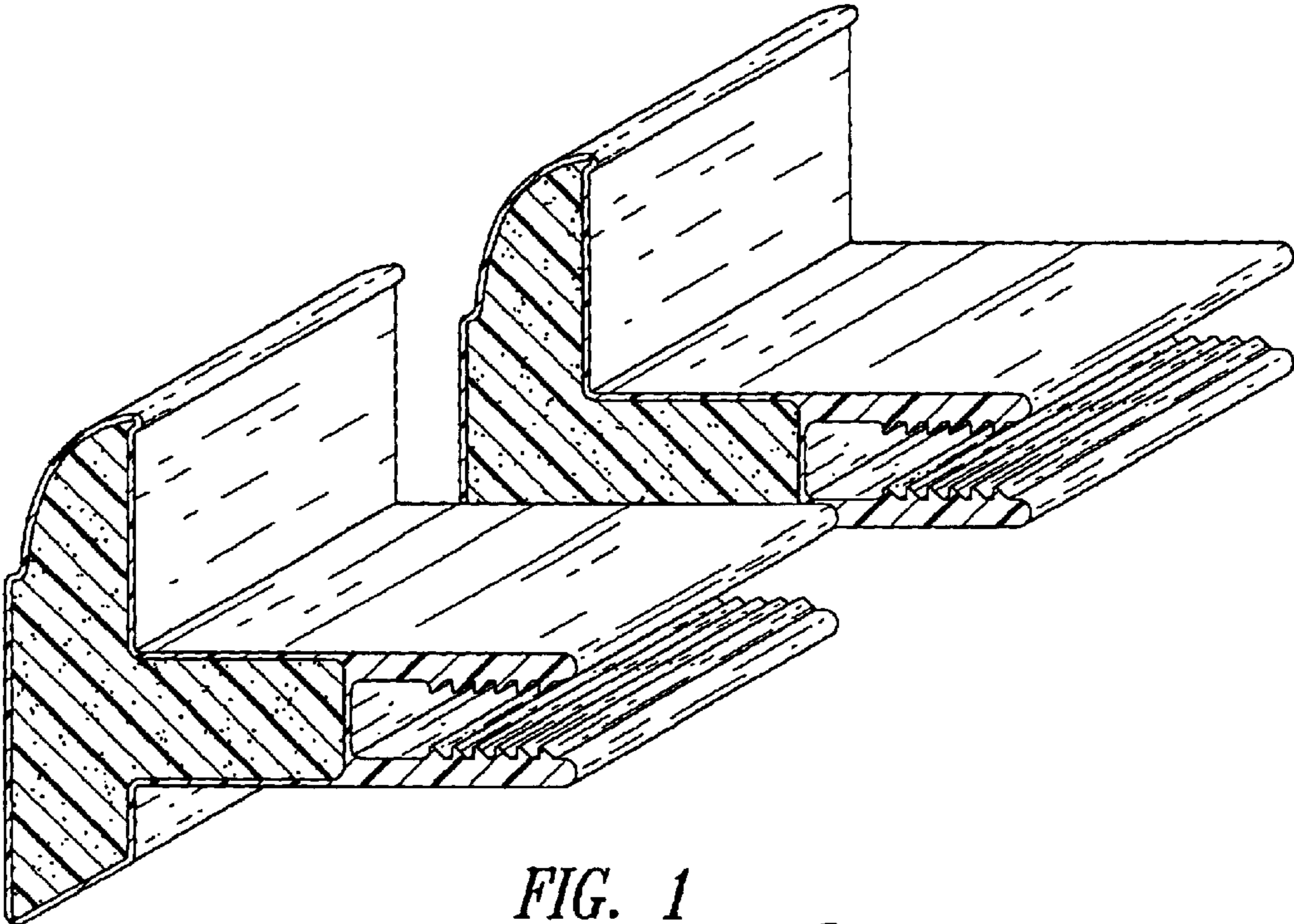


FIG. 1

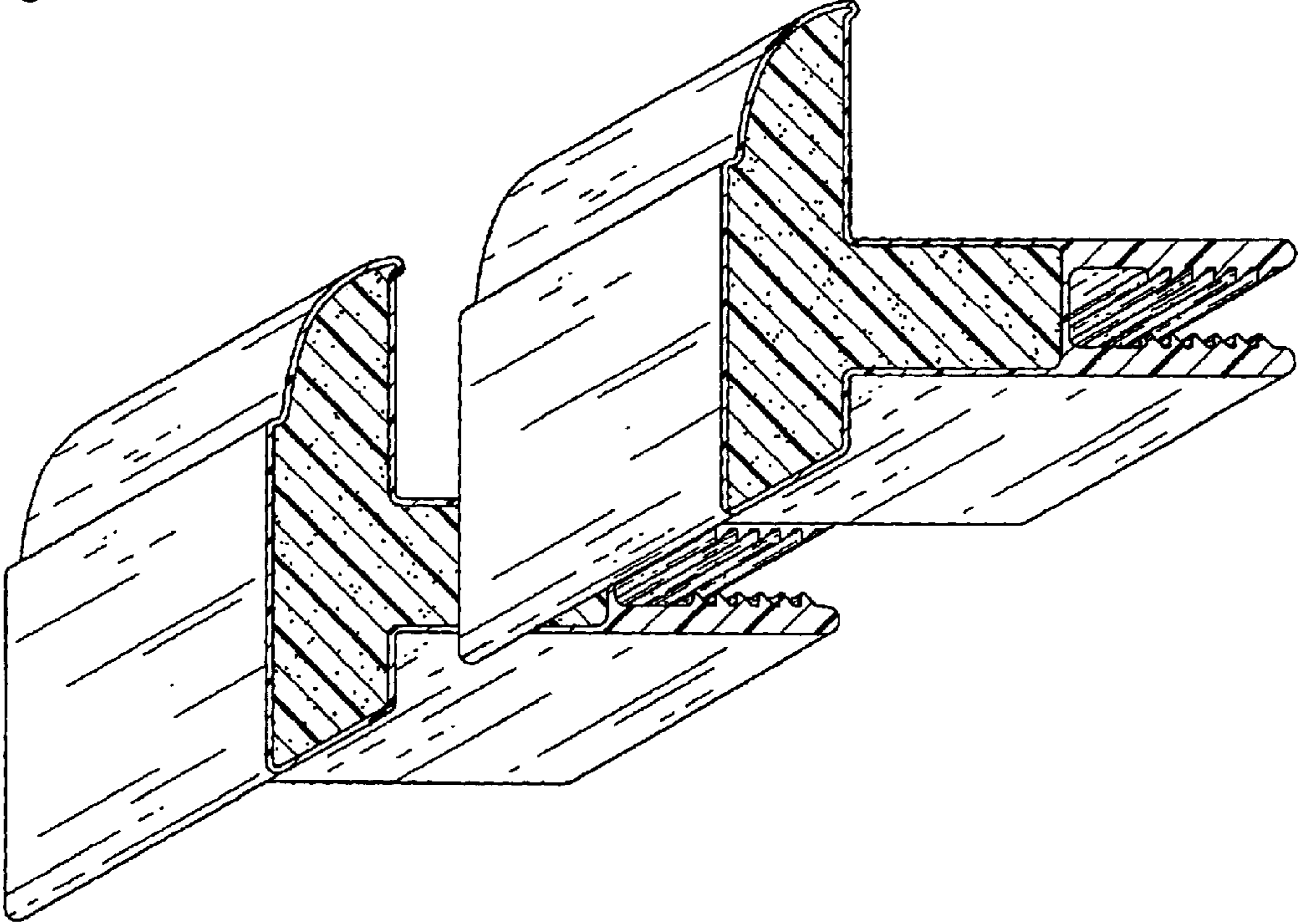


FIG. 2