

US00D493542S1

(12) **United States Design Patent**  
**Lockbeam**

(10) **Patent No.:** **US D493,542 S**

(45) **Date of Patent:** **\*\* Jul. 27, 2004**

(54) **WINDOW COMPONENT EXTRUSION**

D405,891 S 2/1999 Oliver et al. .... D25/124  
D407,505 S \* 3/1999 Hersh et al. .... D25/124

(75) Inventor: **Michael D. Lockbeam**, Spanaway, WA  
(US)

\* cited by examiner

(73) Assignee: **Mikron Industries, Inc.**, Kent, WA  
(US)

*Primary Examiner*—Doris Clark

(74) *Attorney, Agent, or Firm*—Michael J. Folise, Esq.

(\*\*) Term: **14 Years**

(57) **CLAIM**

The ornamental design for a window component extrusion,  
as shown and described.

(21) Appl. No.: **29/191,811**

(22) Filed: **Oct. 14, 2003**

**DESCRIPTION**

(51) **LOC (7) Cl.** ..... **25-01**

FIG. 1 is a top right perspective view of the window  
component extrusion which is broken in the center indicat-  
ing indefinite length.

(52) **U.S. Cl.** ..... **D25/124**

FIG. 2 is a bottom left perspective view of the window  
component extrusion shown in FIG. 1.

(58) **Field of Search** ..... D25/124, 125,  
D25/60, 52; 52/204.1, 204.51, 230.3, 205.1,  
202, 730.5, 731, 738, 732, 204.5; 49/DIG. 2,  
504, 505, 407, 408

FIG. 3 is a top right perspective view of a second embodi-  
ment of the window component extrusion which is broken in  
the center indicating indefinite length; and,

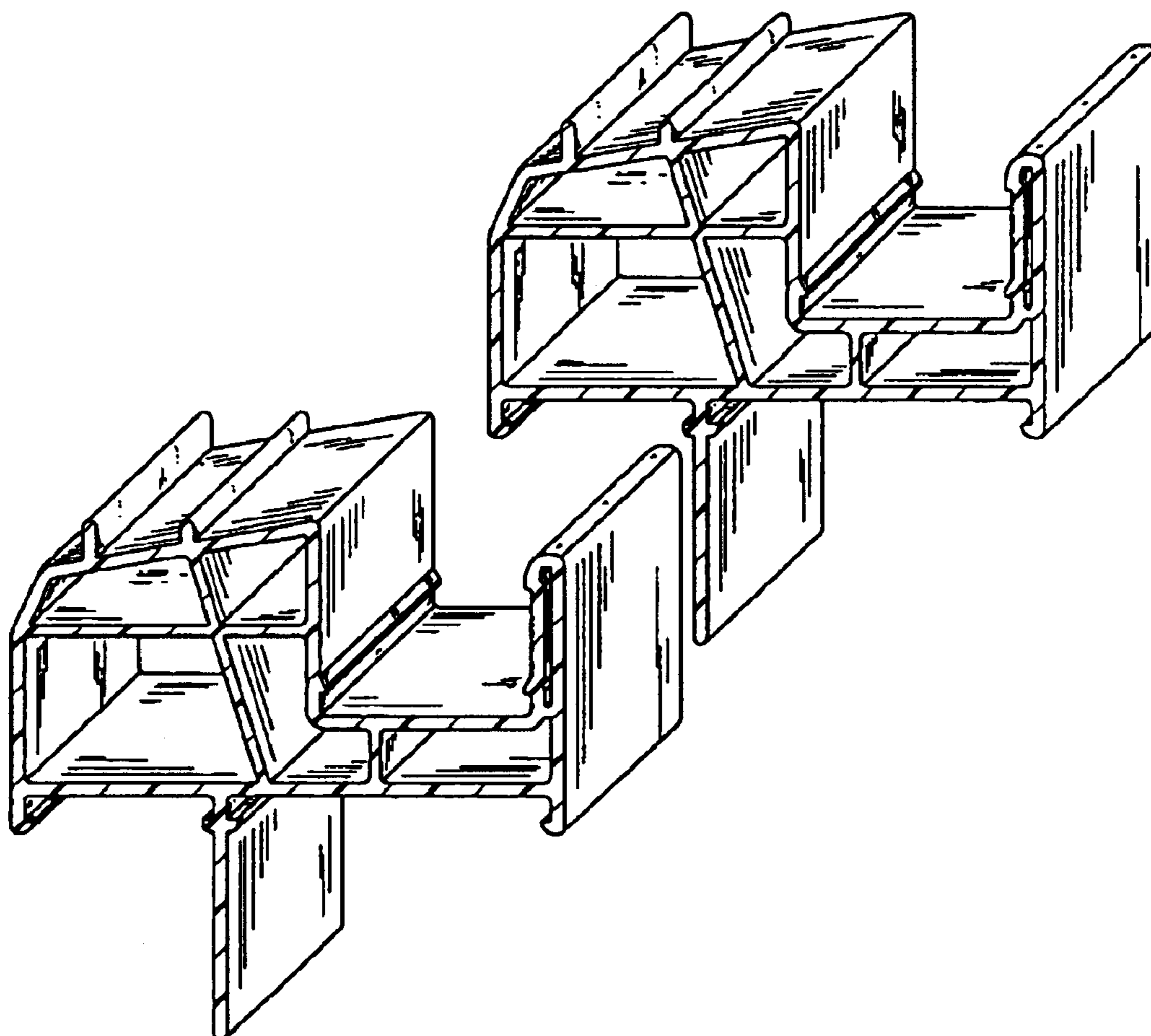
FIG. 4 is a bottom left perspective view of the window  
component extrusion shown in FIG. 3.

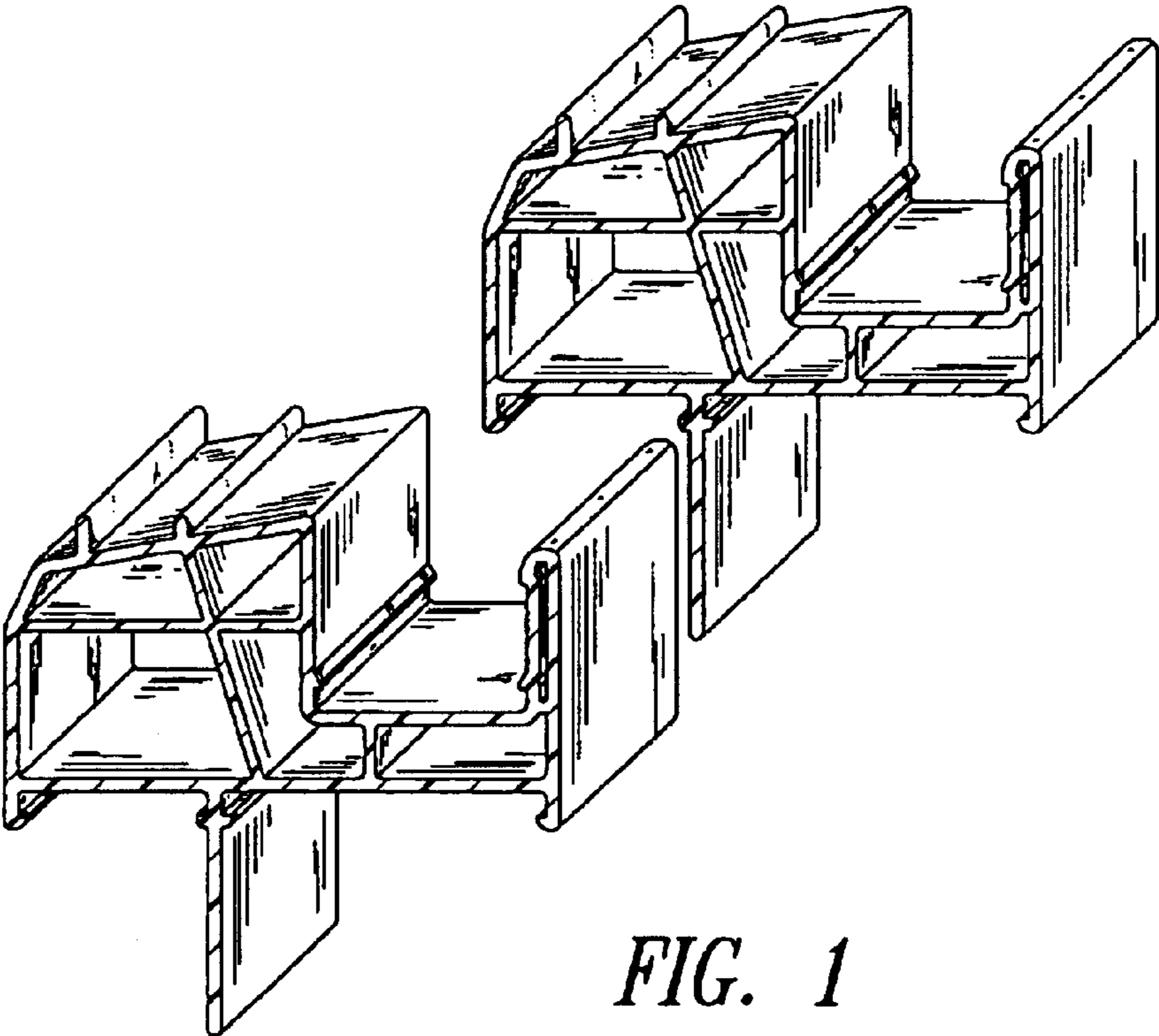
(56) **References Cited**

**U.S. PATENT DOCUMENTS**

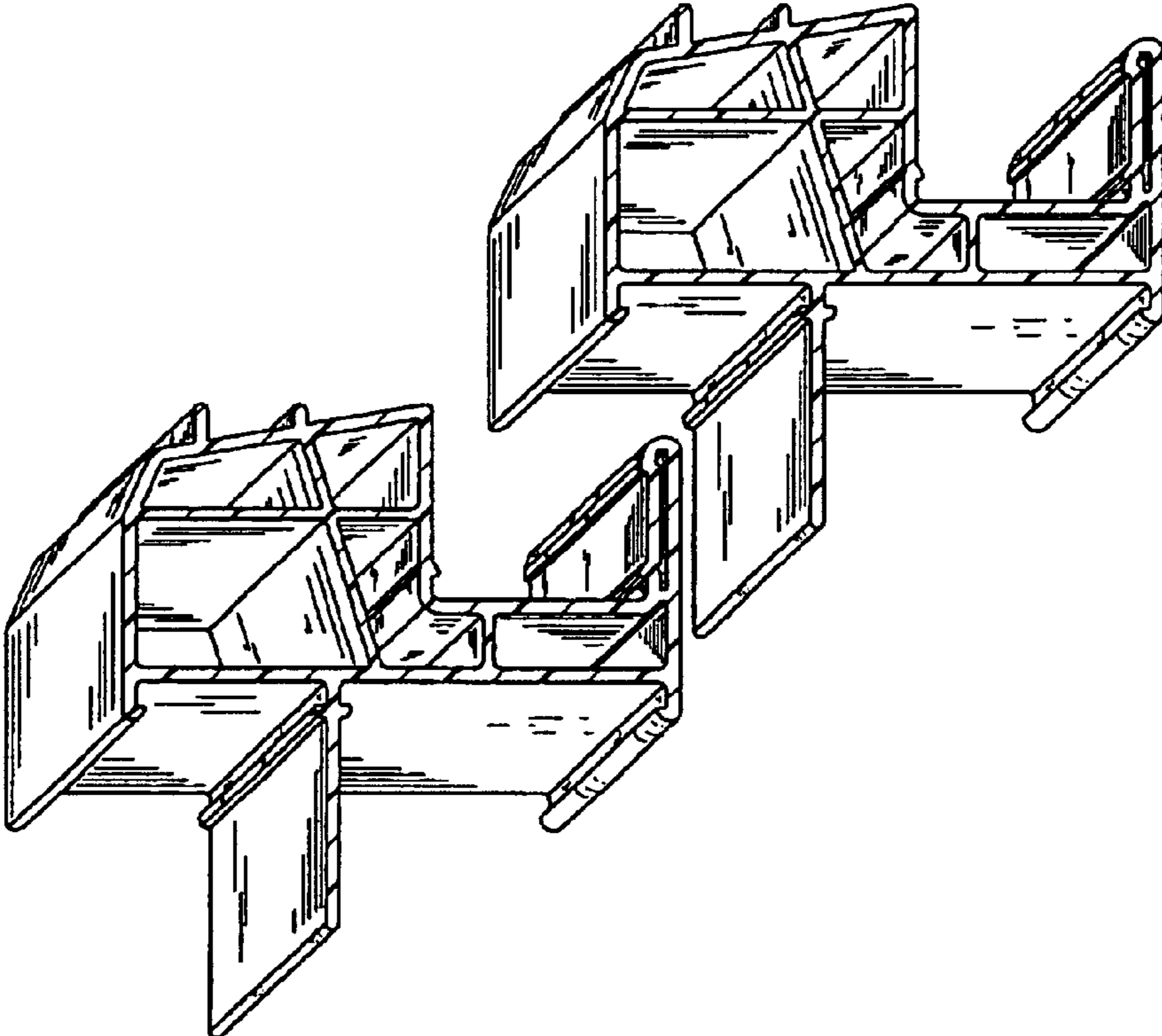
D402,056 S \* 12/1998 Leonelli ..... D25/124

**1 Claim, 2 Drawing Sheets**

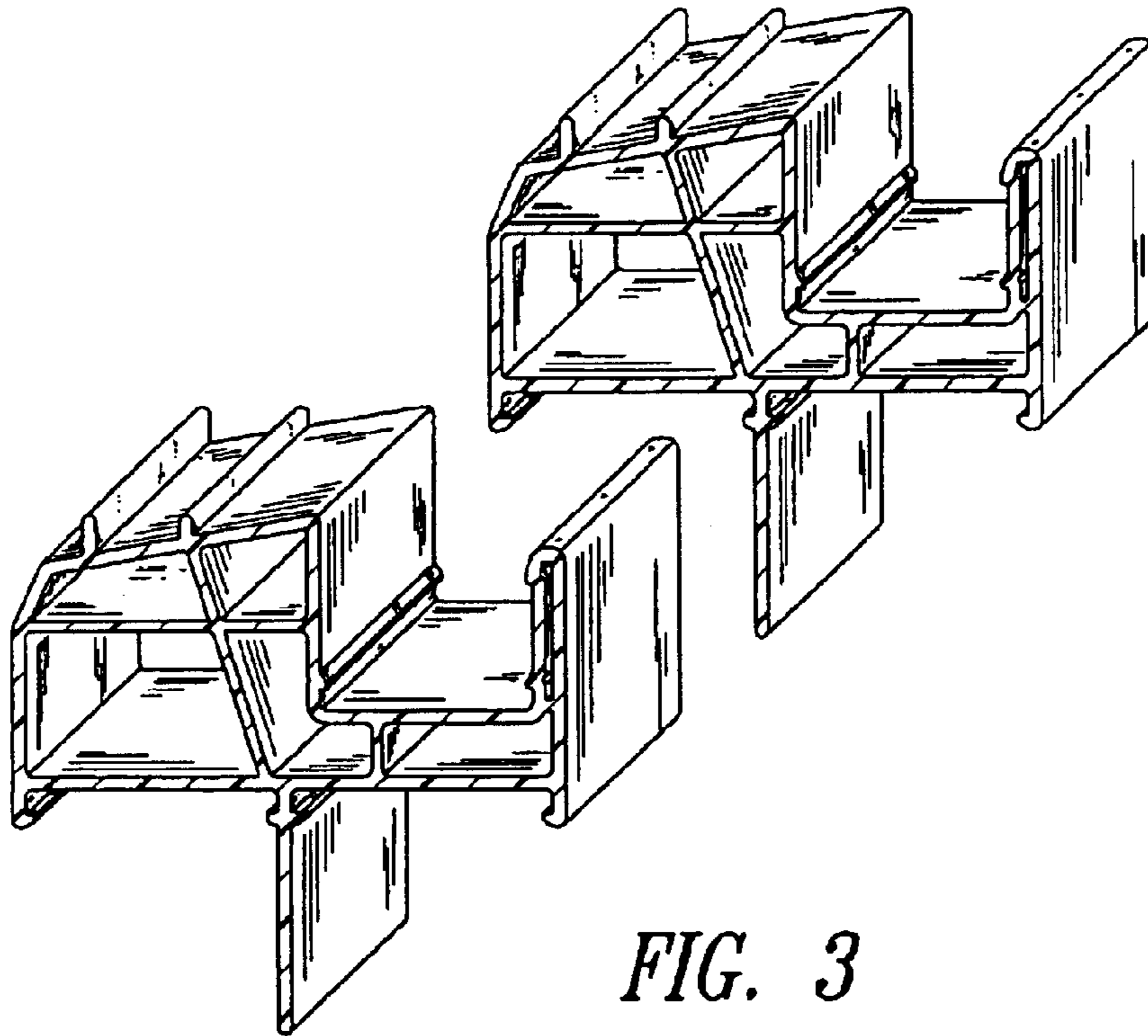




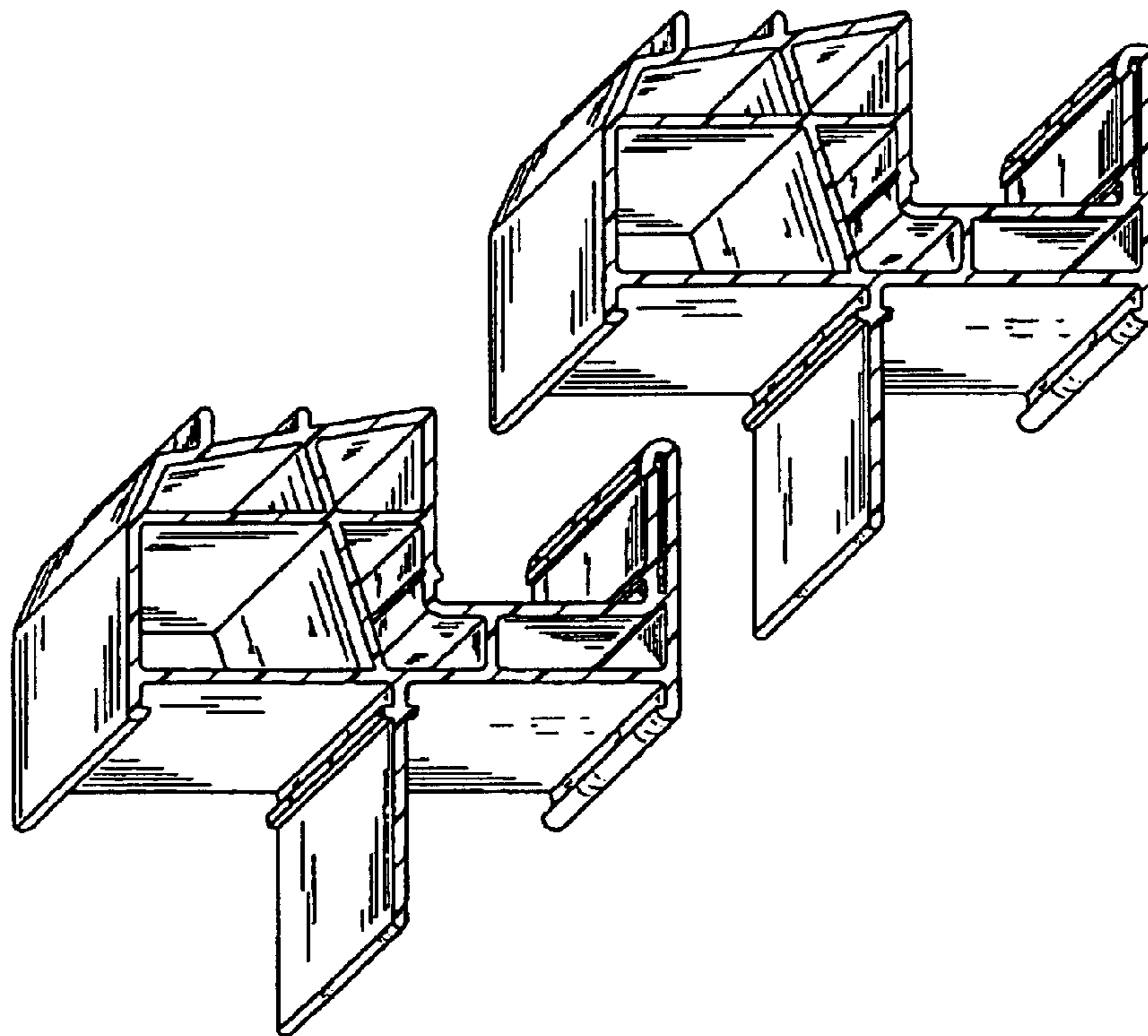
*FIG. 1*



*FIG. 2*



*FIG. 3*



*FIG. 4*