



US00D493537S1

(12) **United States Design Patent**  
**Abric et al.**

(10) **Patent No.: US D493,537 S**  
(45) **Date of Patent: \*\* Jul. 27, 2004**

(54) **ANALOG SCALE FOR MEASURING PAIN**

**FOREIGN PATENT DOCUMENTS**

(75) Inventors: **André Abric**, Boulogne (FR);  
**Christine Fauché**, Asnières (FR);  
**Isabelle Moreau**, Le Chesnay (FR)  
(73) Assignee: **Euro-Celtique S.A.**, Luxembourg (LU)  
(\*\*) Term: **14 Years**

GB 2 049 431 A 12/1980 ..... A61B/5/16

\* cited by examiner

*Primary Examiner*—Stella Reid

(74) *Attorney, Agent, or Firm*—Pennie & Edmonds LLP

(57) **CLAIM**

The ornamental design for an analog scale for measuring pain, as shown and described.

(21) Appl. No.: **29/156,229**

**DESCRIPTION**

(22) Filed: **Feb. 25, 2002**

(51) **LOC (7) Cl.** ..... **24-01**

FIG. 1 is a perspective view of an analog scale for measuring pain, showing our new design;

(52) **U.S. Cl.** ..... **D24/186**

FIG. 2 is a perspective view thereof, opposite that shown in FIG. 1;

(58) **Field of Search** ..... D24/186; 600/552,  
600/553, 554, 555, 557

FIG. 3 is a plan view of FIG. 2;

FIG. 4 is a plan view of FIG. 1;

FIG. 5 is an end elevational view thereof;

FIG. 6 is a side elevational view thereof;

FIG. 7 is an end elevational view thereof; and,

FIG. 8 is a side elevational view thereof.

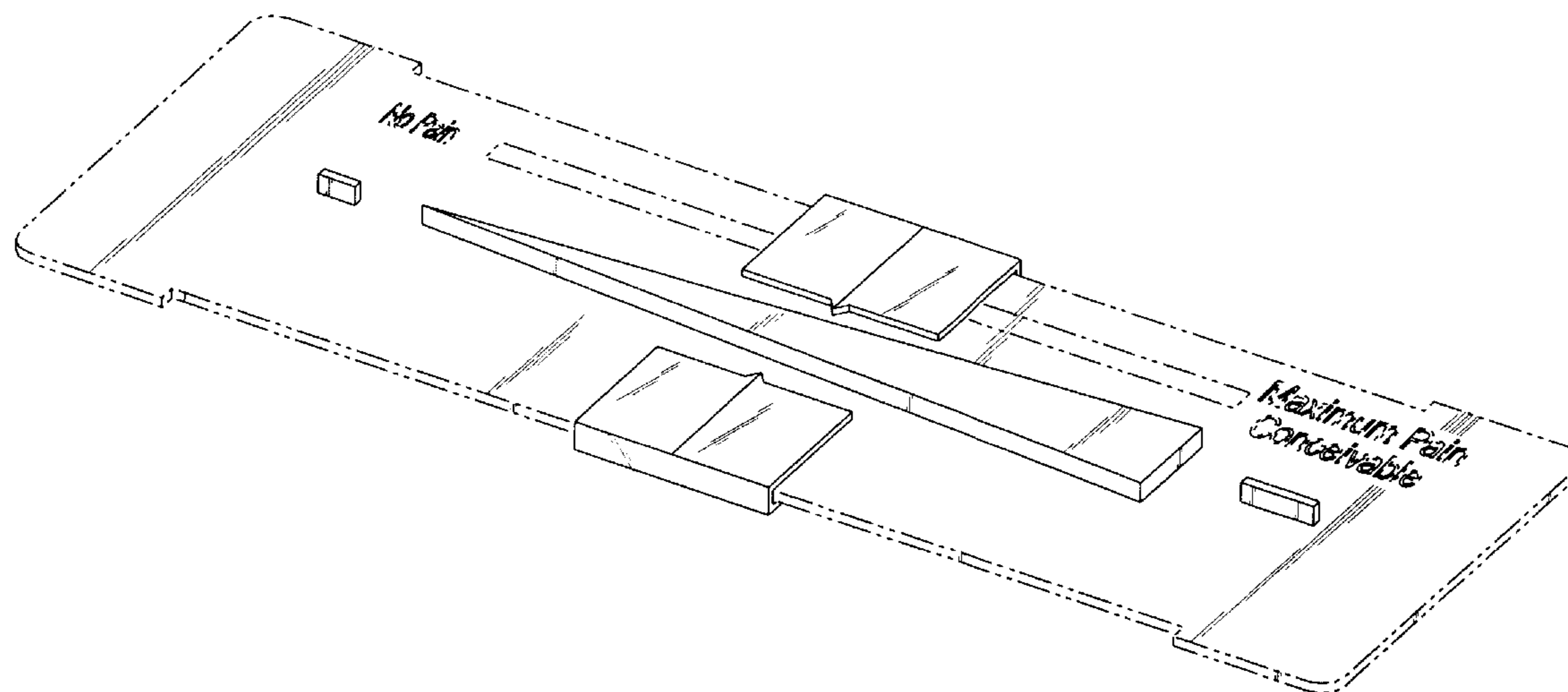
The broken lines in the figures are for illustrative purposes only and forms no part of the claimed design.

(56) **References Cited**

**U.S. PATENT DOCUMENTS**

5,018,526 A	5/1991	Gaston-Johansson	128/630
5,634,472 A *	6/1997	Raghuprasad	600/555
5,692,500 A	12/1997	Gaston-Johansson	128/630
6,146,334 A *	11/2000	Laserow	600/552
6,258,042 B1	7/2001	Factor et al.	600/557

**1 Claim, 6 Drawing Sheets**



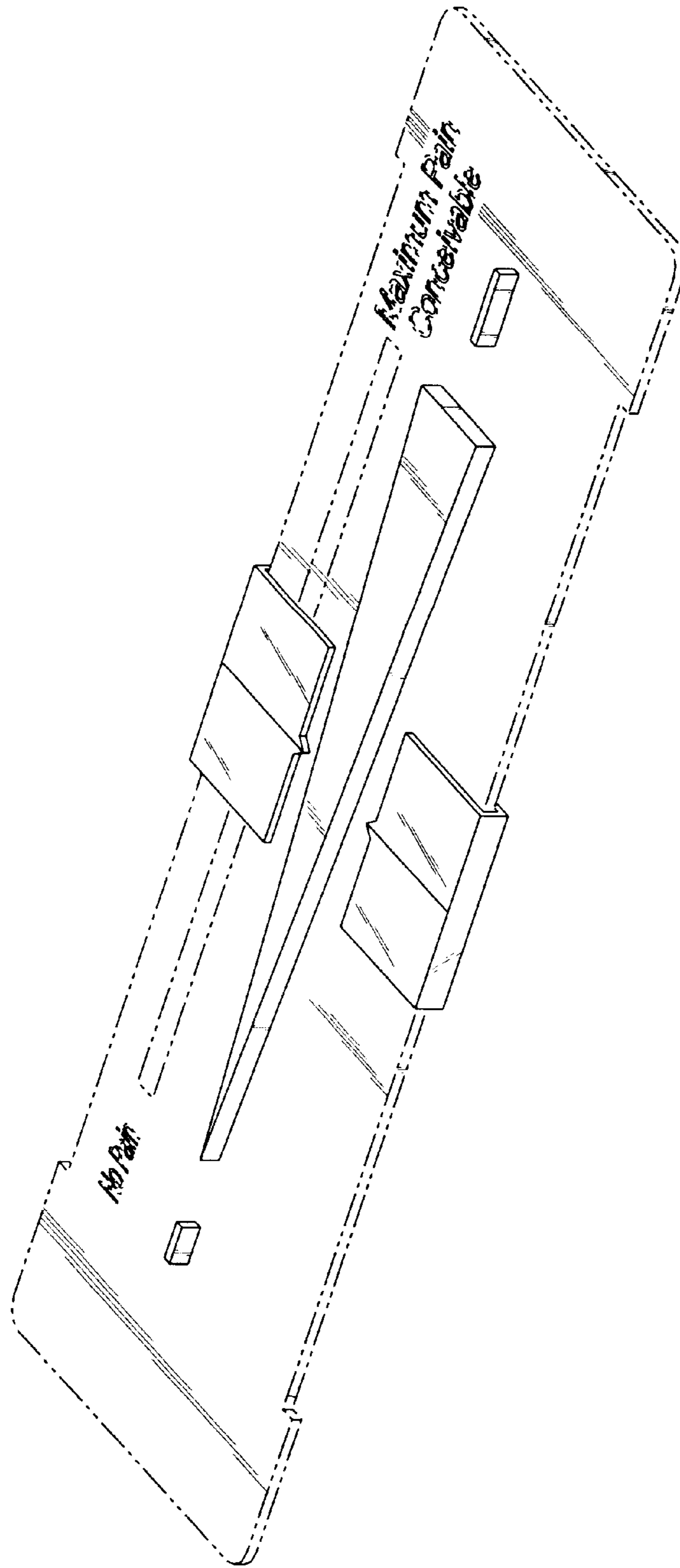


Fig. 1

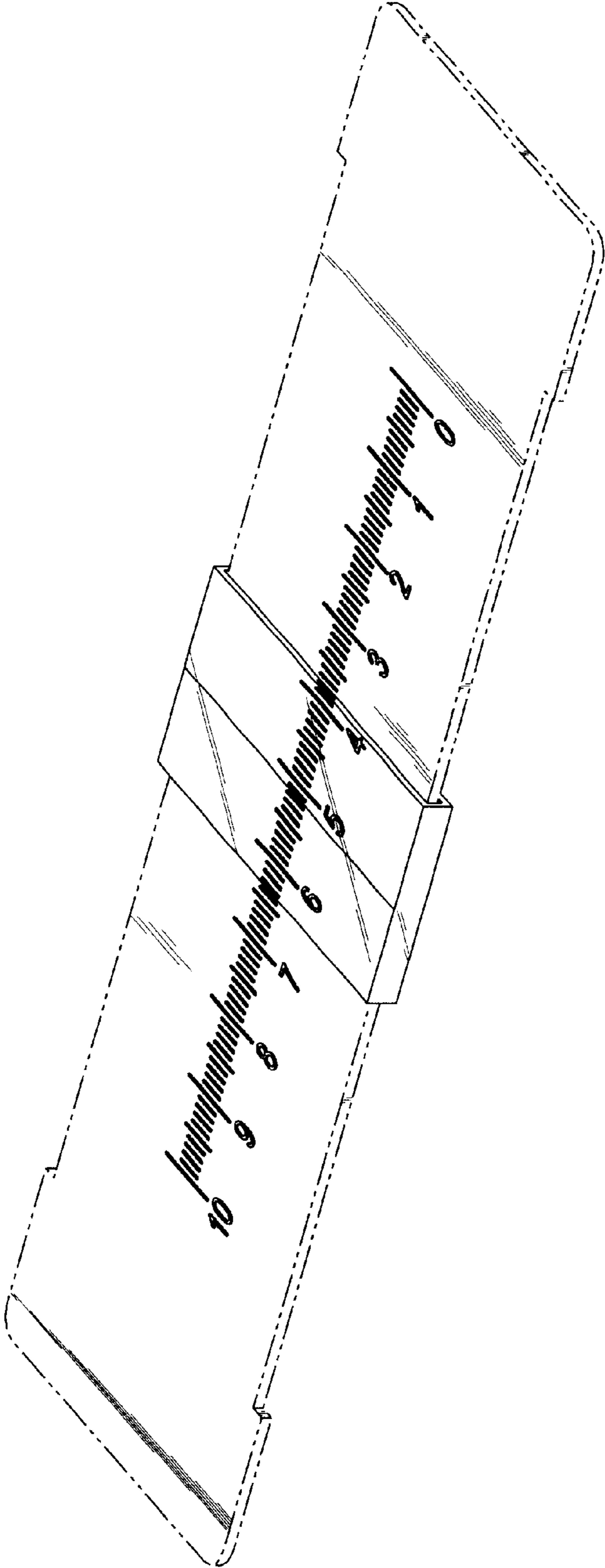
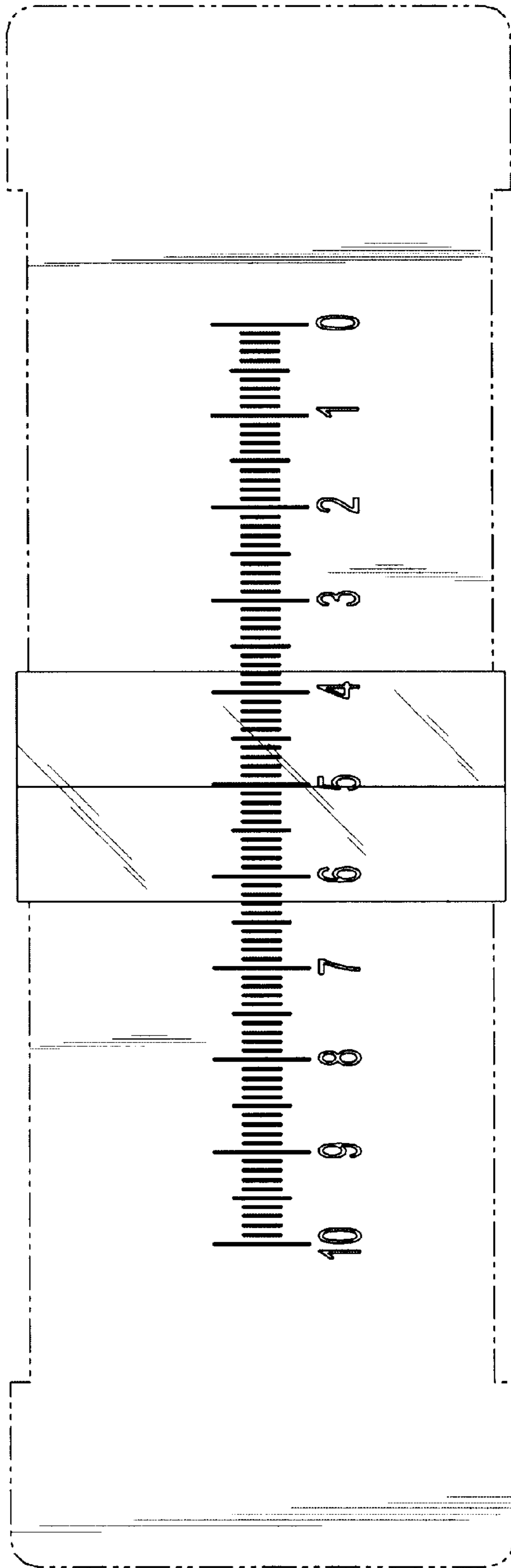


Fig. 2



*Fig. 3*

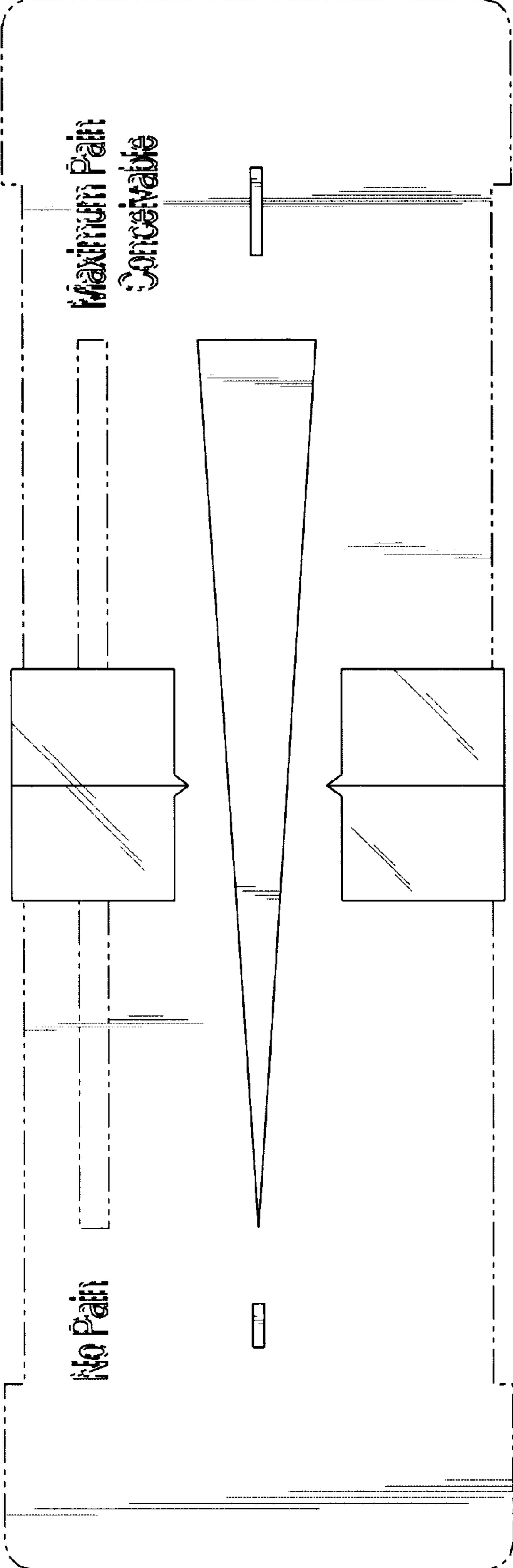
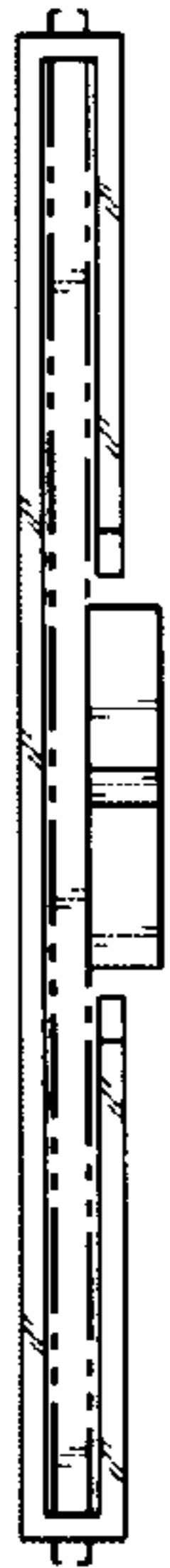
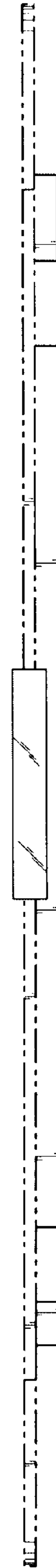


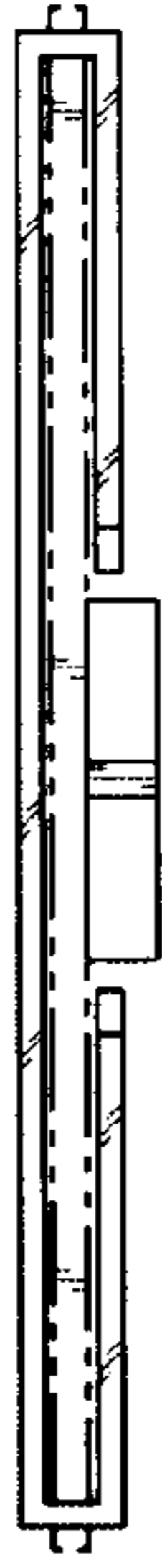
Fig. 4



*Fig. 5*



*Fig. 6*



*Fig. 7*



*Fig. 8*