



US00D493534S1

(12) **United States Design Patent** (10) **Patent No.:** **US D493,534 S**
Meyer et al. (45) **Date of Patent:** **** Jul. 27, 2004**

(54) **ADJUSTABLE ADAPTOR FOR A PROSTHETIC LEG**

(75) Inventors: **Robert B. Meyer**, Lewisburg, OH (US); **Wilbur N. Meyer**, Brookville, OH (US)

(73) Assignee: **Bulldog Tools Inc.**, Lewisburg, OH (US)

(**) Term: **14 Years**

(21) Appl. No.: **29/187,415**

(22) Filed: **Aug. 1, 2003**

(51) **LOC (7) Cl.** **24-03**

(52) **U.S. Cl.** **D24/155**

(58) **Field of Search** D24/155; 623/26-27, 623/33-35, 23.17

(56) **References Cited**

U.S. PATENT DOCUMENTS

D475,786 S * 6/2003 Lund D24/155
2003/0074085 A1 4/2003 Slemker et al.

* cited by examiner

Primary Examiner—Antoine D. Davis

(74) *Attorney, Agent, or Firm*—Jacox, Meckstroth & Jenkins

(57) **CLAIM**

The ornamental design of an adjustable adaptor for a prosthetic leg, as shown and described.

DESCRIPTION

FIG. 1 is a perspective view of an adjustable adaptor for a prosthetic leg, showing one embodiment of our new design; FIG. 2 is a side view thereof, the opposite side view being a mirror image;

FIG. 3 is an end view thereof;

FIG. 4 is a top view thereof;

FIG. 5 is a bottom view thereof;

FIG. 6 is an opposite end view thereof;

FIG. 7 is a perspective view of a second embodiment of our design;

FIG. 8 is a side view of the second embodiment, the opposite side view being a mirror image;

FIG. 9 is an end view of the second embodiment;

FIG. 10 is a top view of the second embodiment;

FIG. 11 is a bottom view of the second embodiment; and,

FIG. 12 is an opposite end view of the second embodiment.

1 Claim, 2 Drawing Sheets

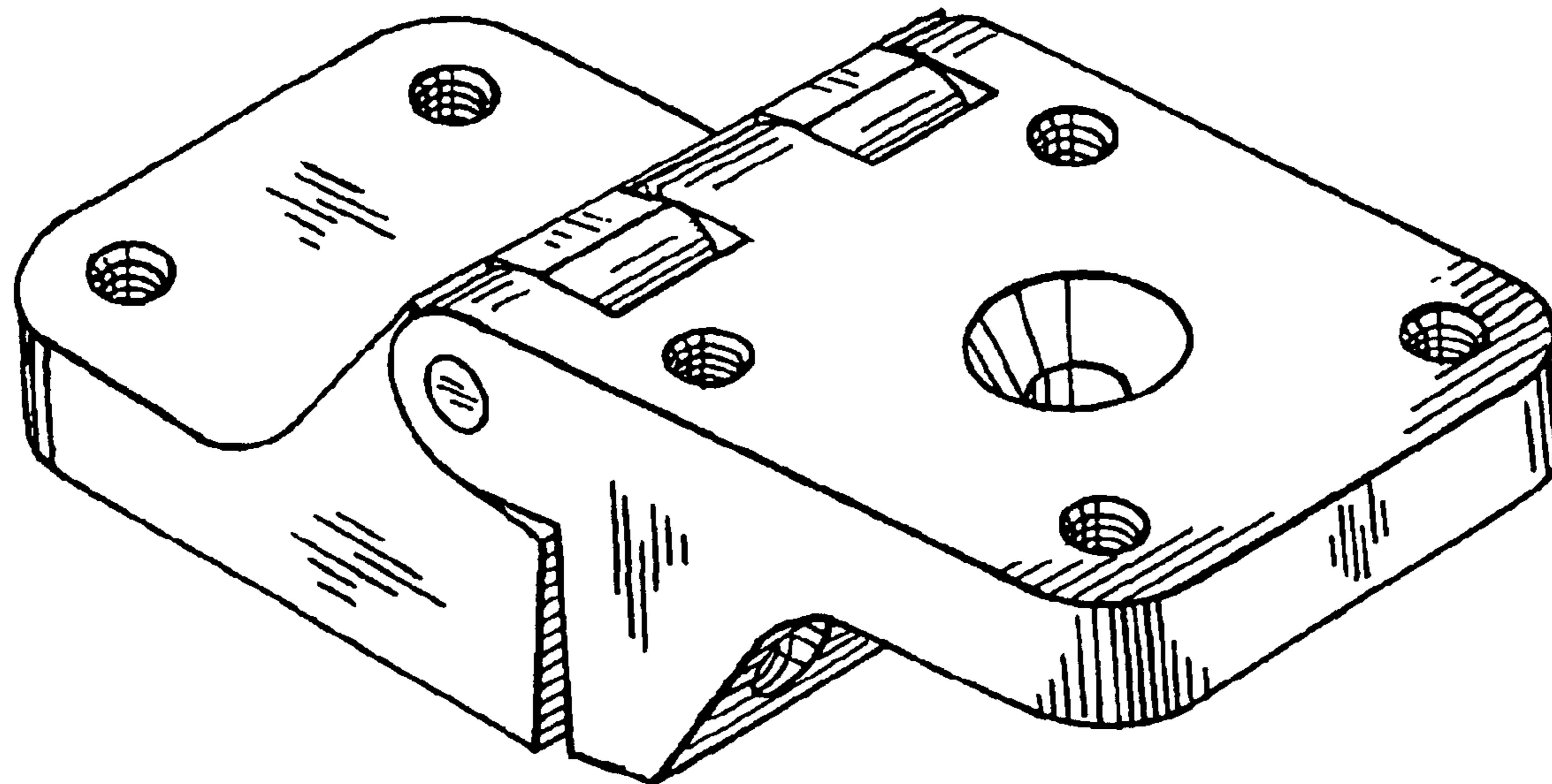


FIG-1

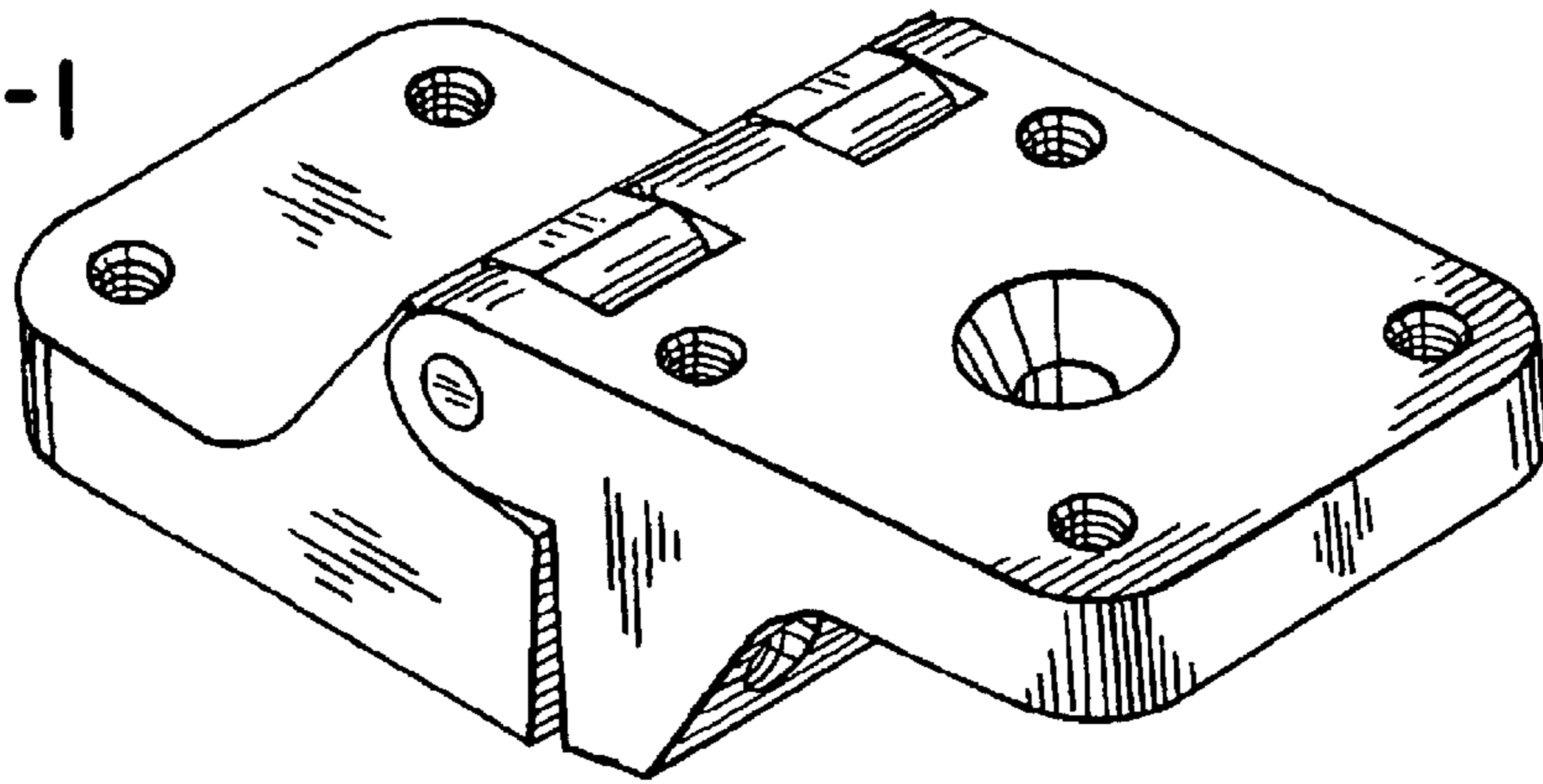


FIG-2

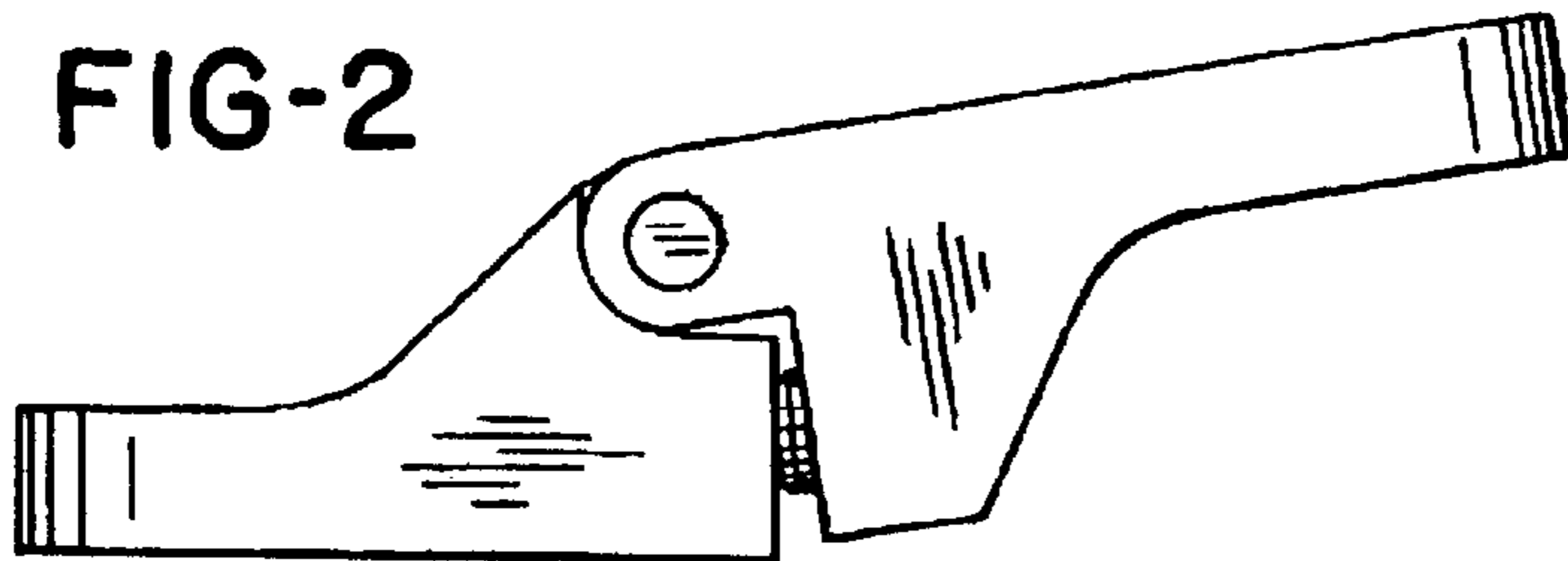


FIG-3

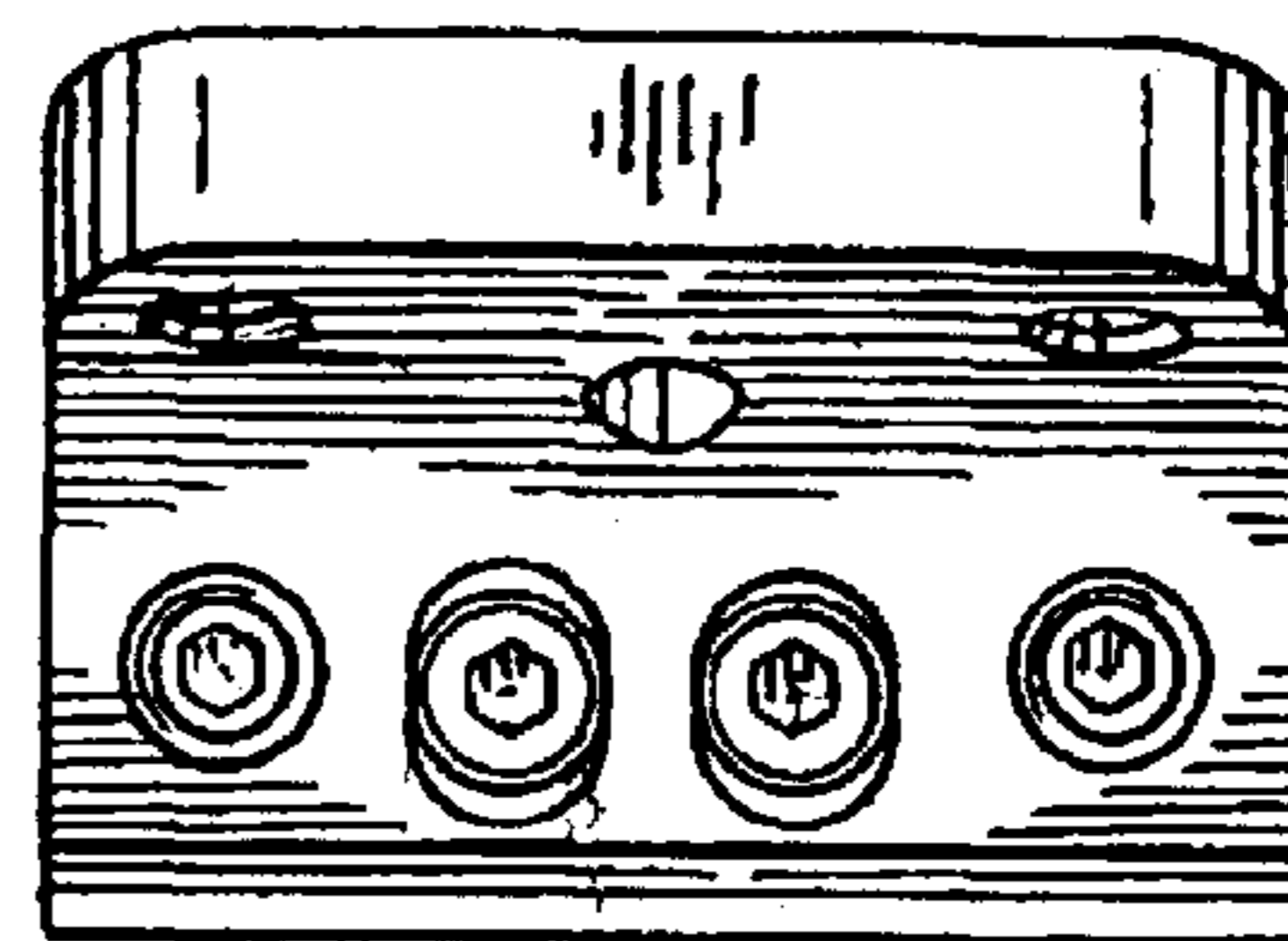


FIG-4

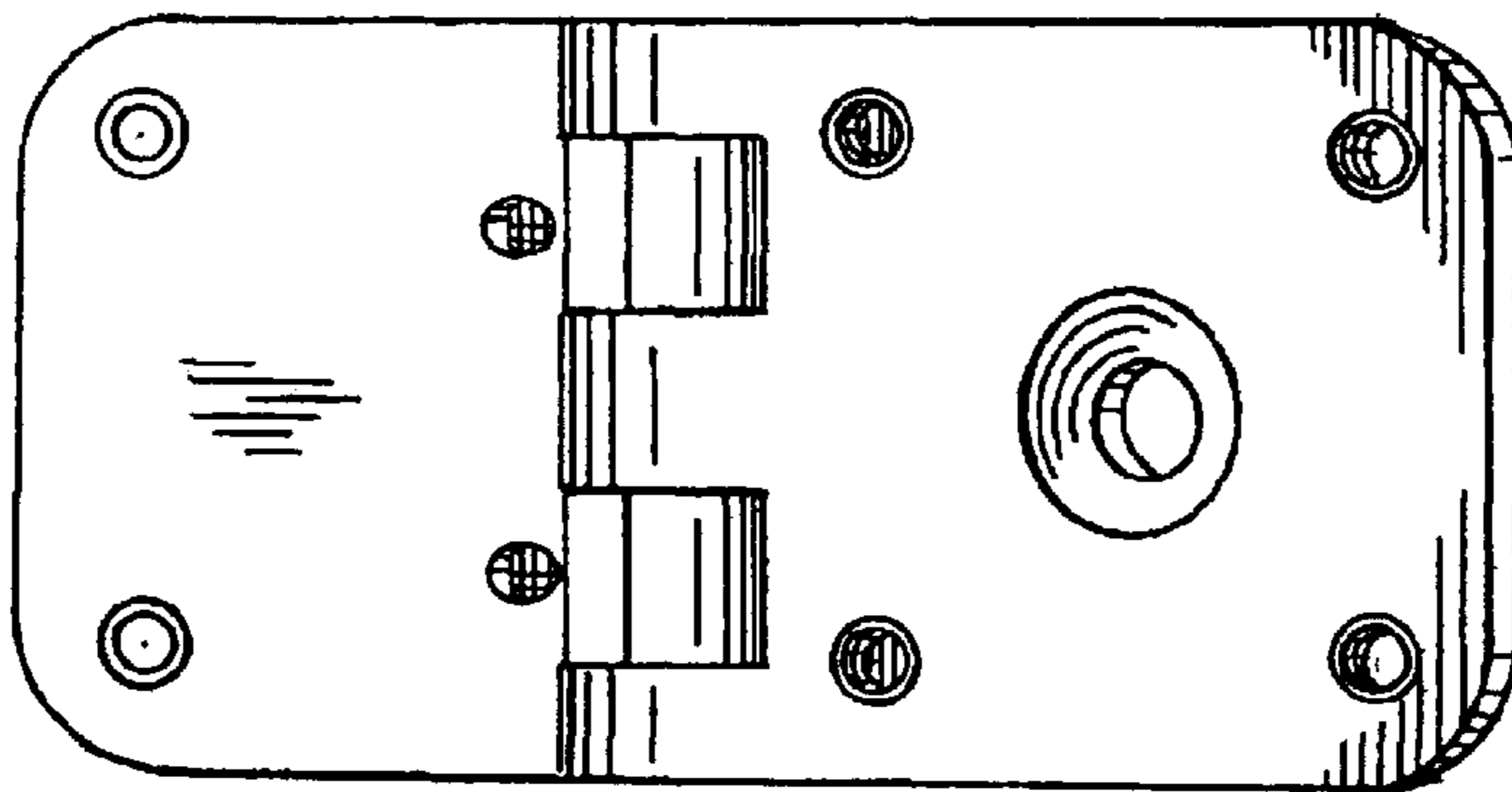


FIG-5

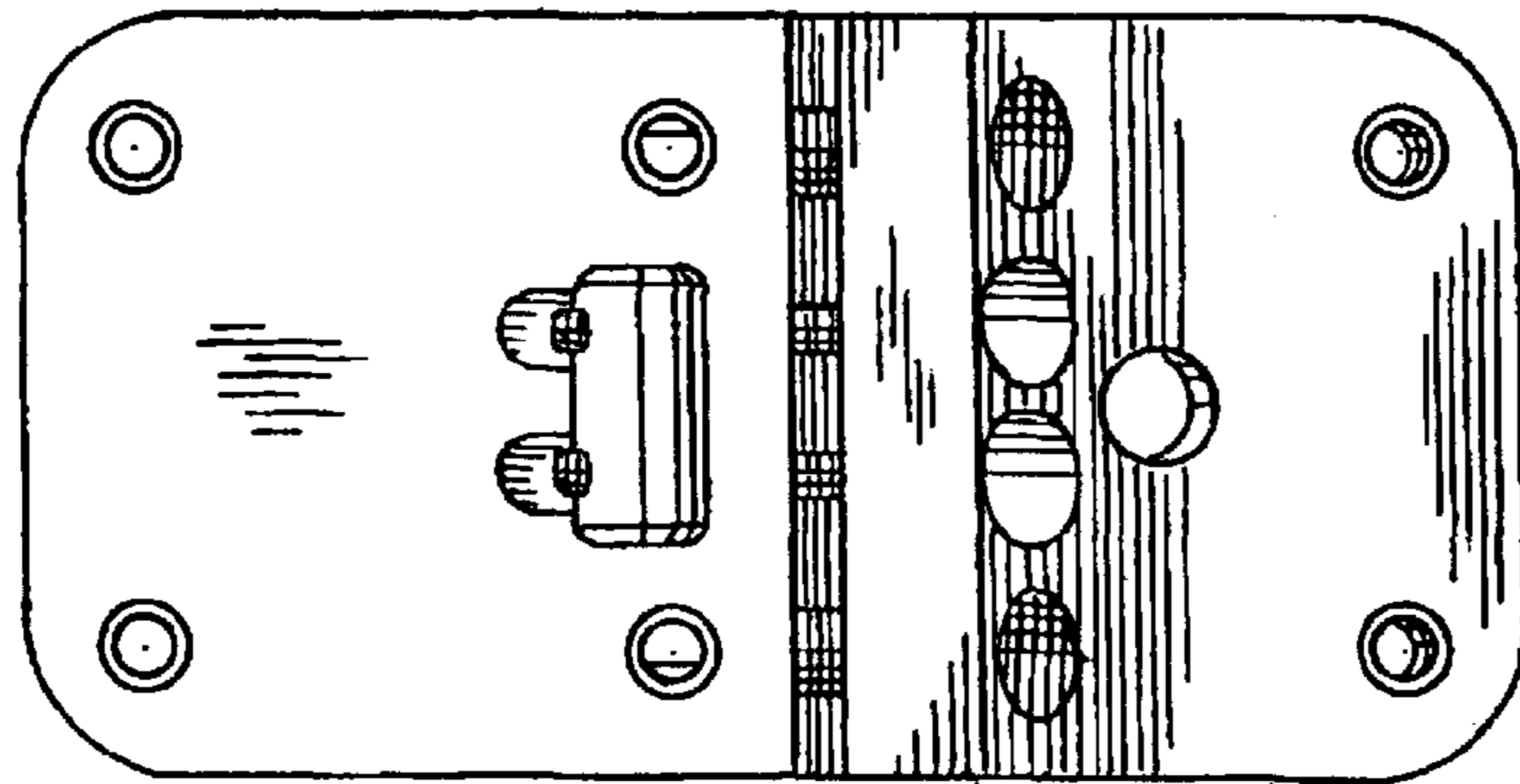


FIG-6

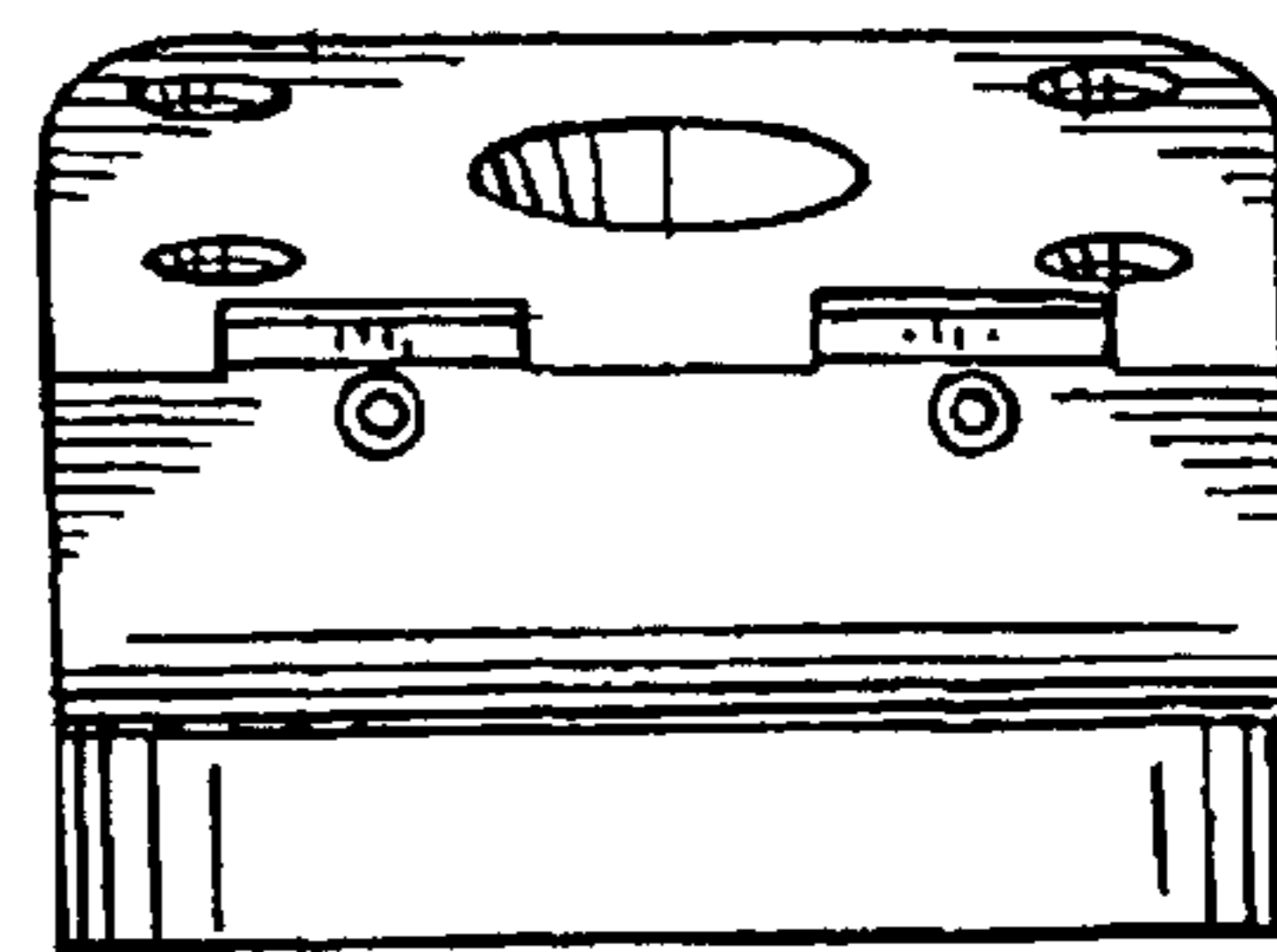


FIG-7

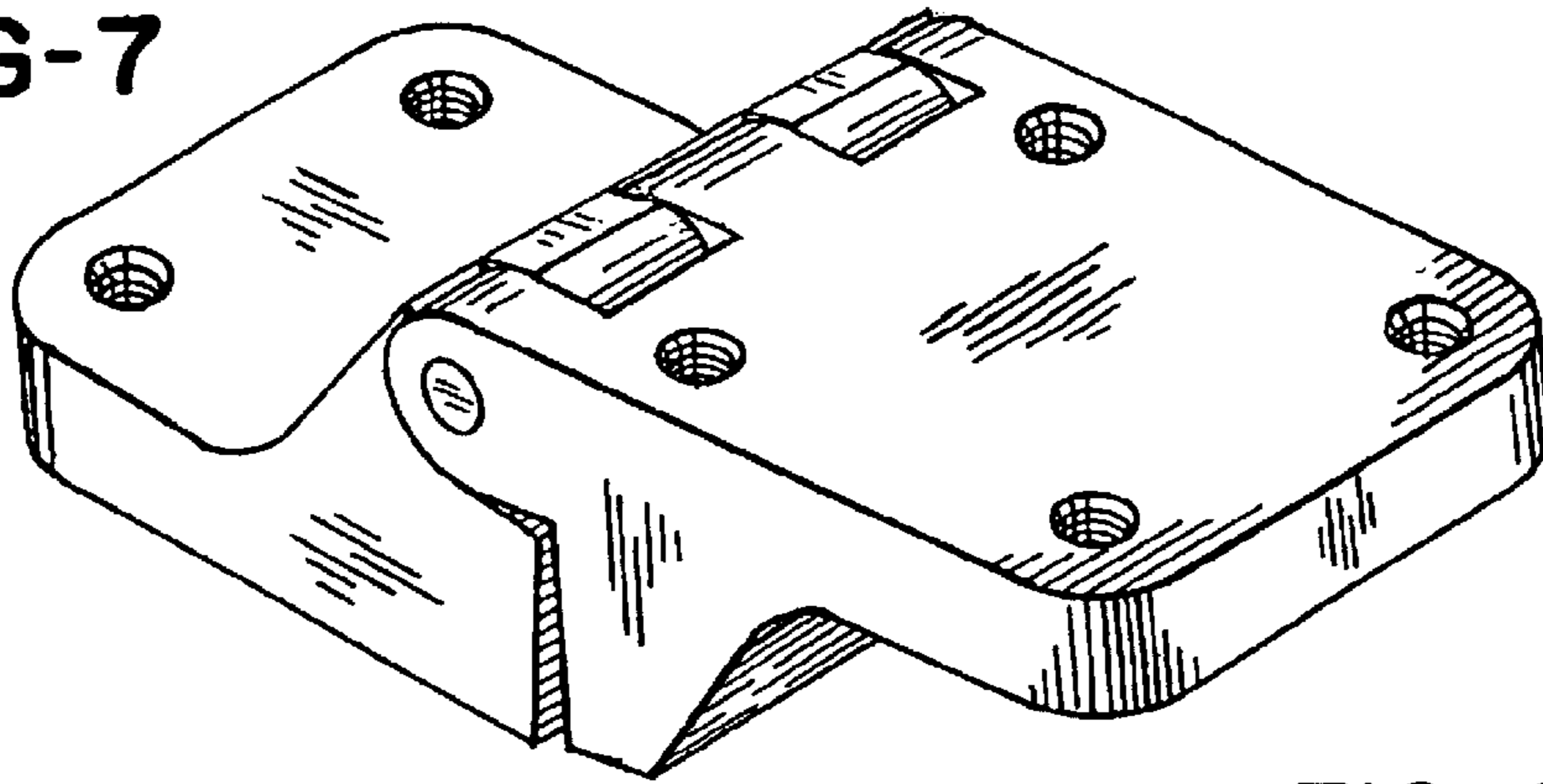


FIG-8

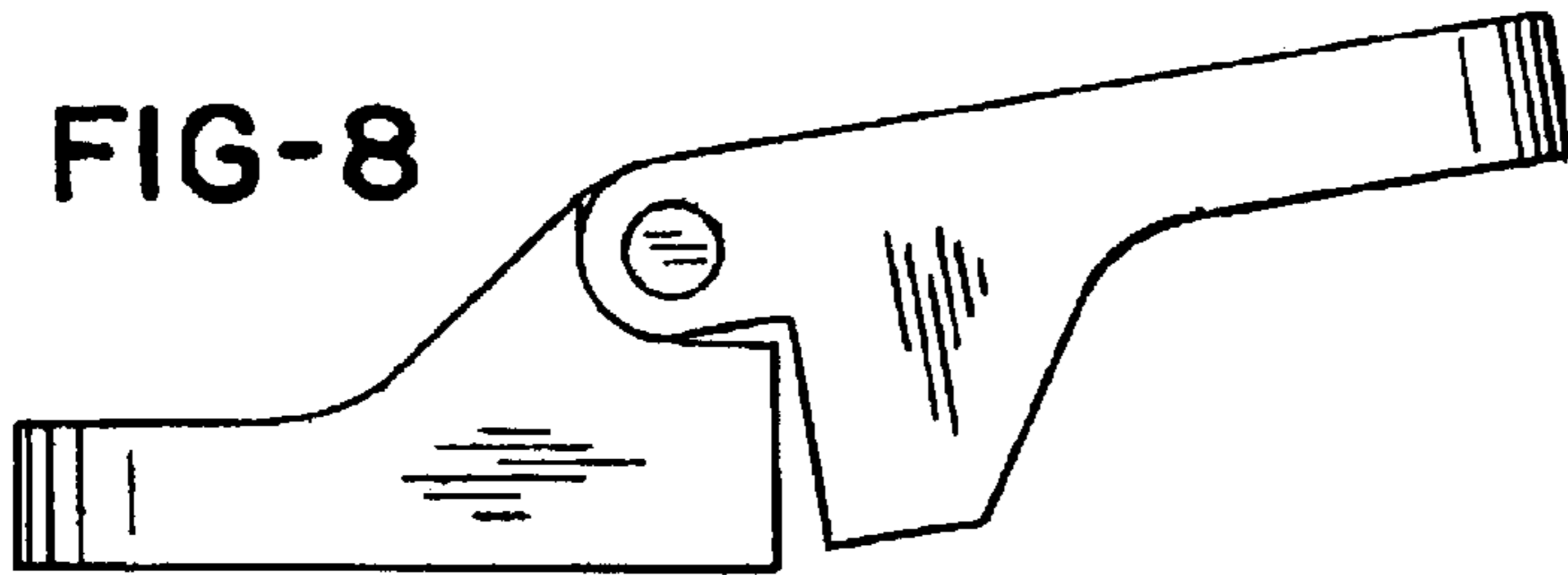


FIG-9

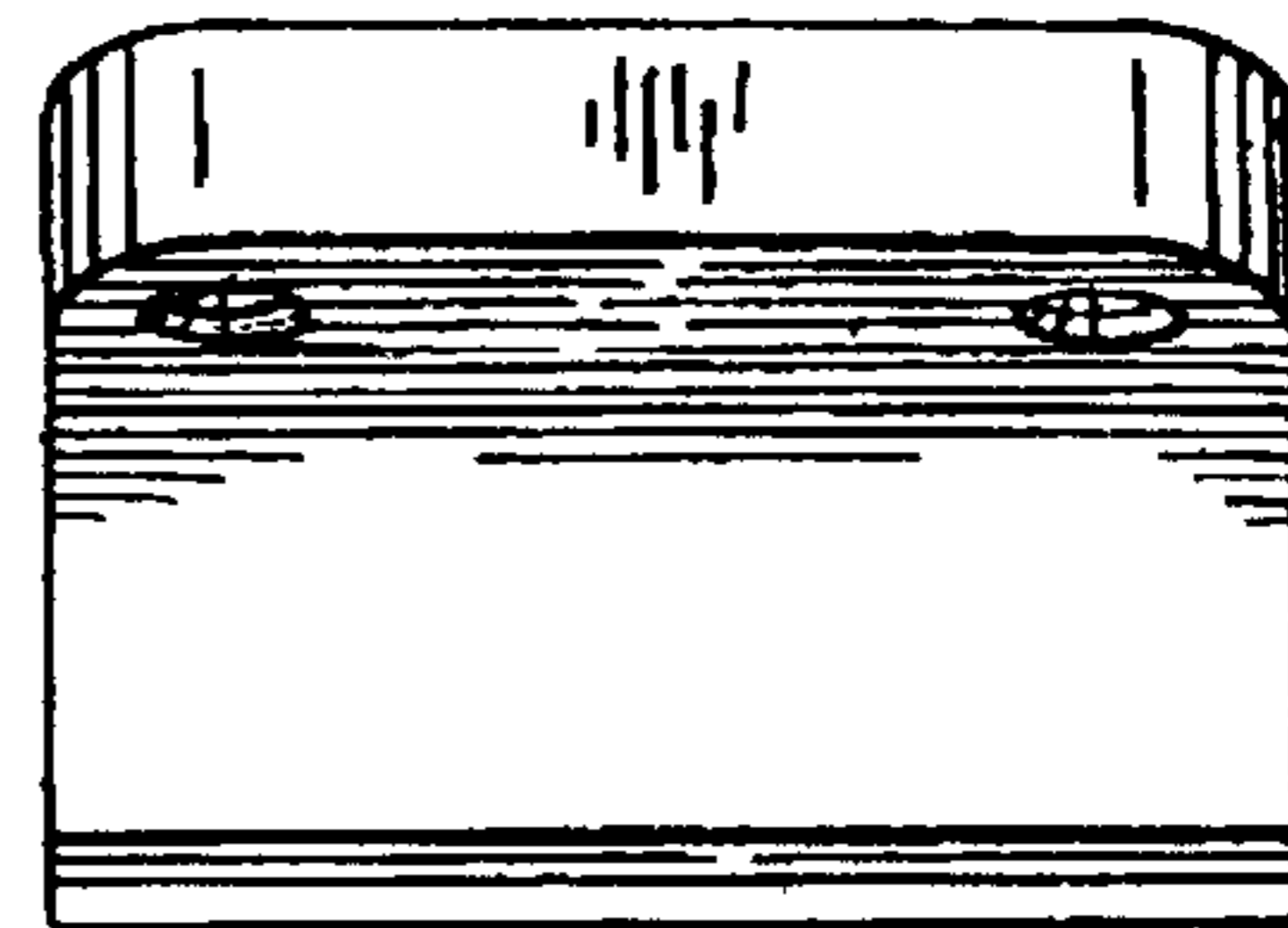


FIG-10

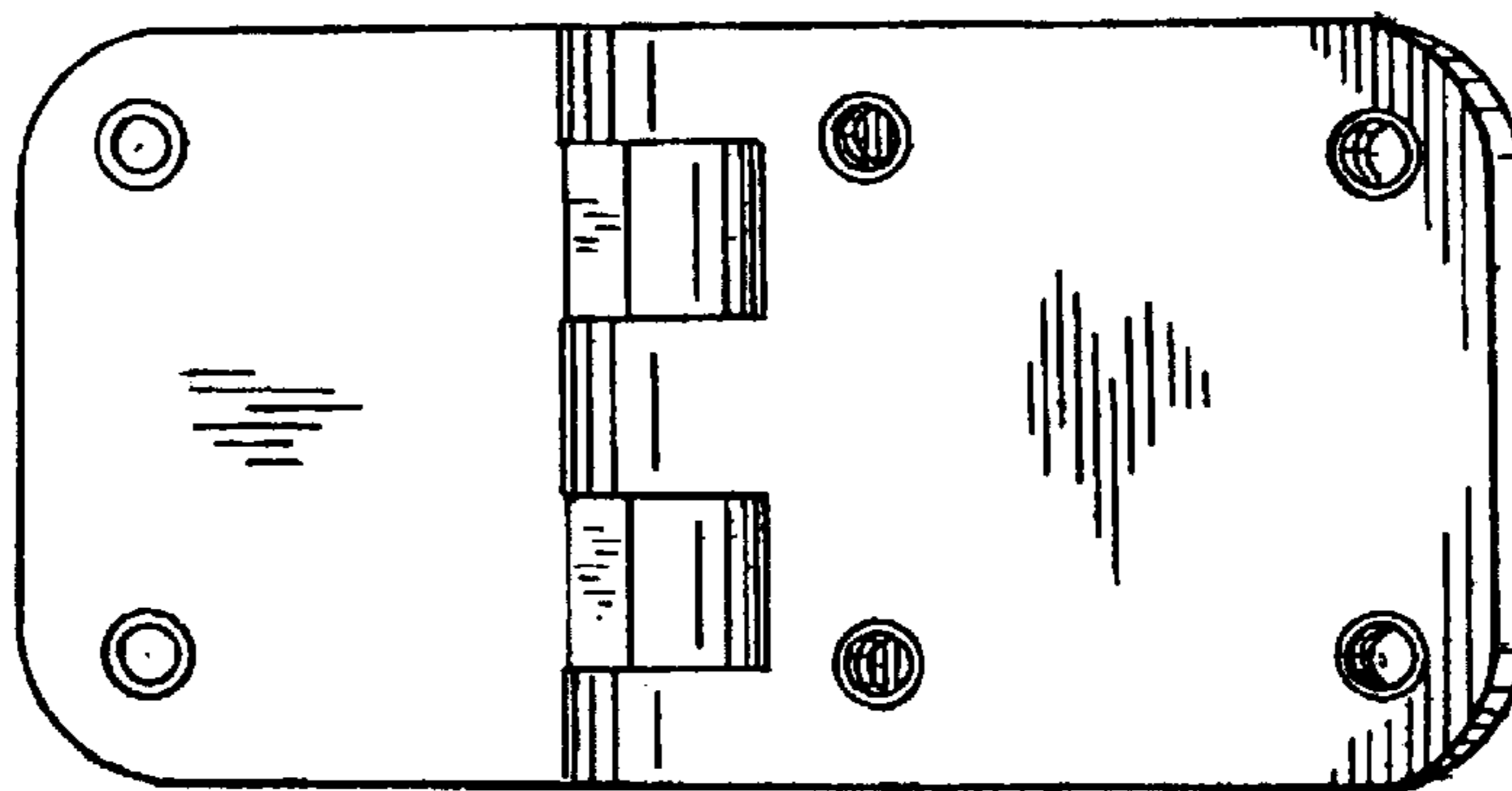


FIG-11

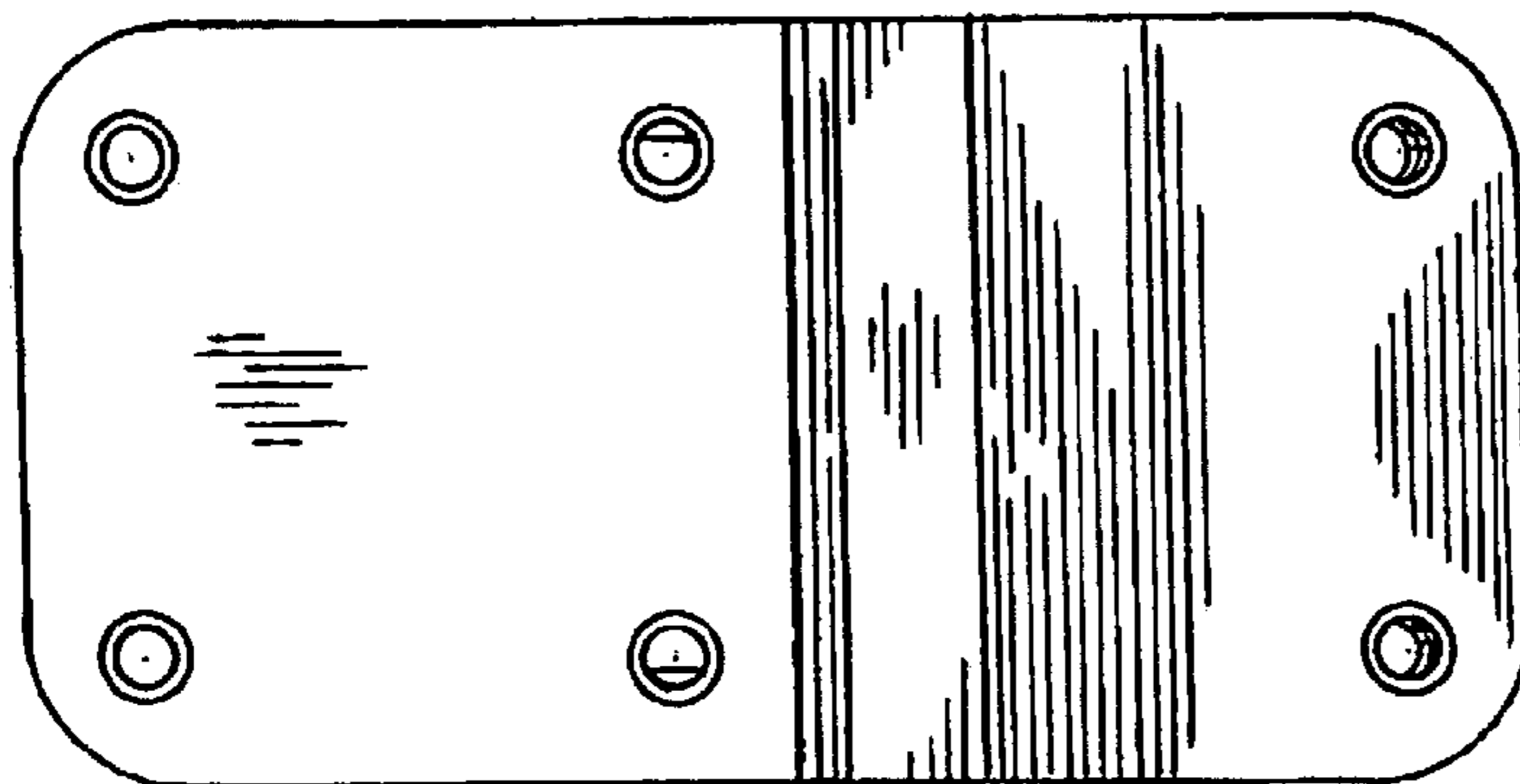


FIG-12

