

US00D493531S1

(12) **United States Design Patent**
Padain

(10) **Patent No.:** **US D493,531 S**
(45) **Date of Patent:** **** Jul. 27, 2004**

(54) **TREATMENT DEVICE PROBE**

(75) **Inventor:** **Christopher Leonard Padain**, Clifton (GB)

(73) **Assignee:** **Microsulis Limited**, Denmead (GB)

(**) **Term:** **14 Years**

(21) **Appl. No.:** **29/180,127**

(22) **Filed:** **Apr. 17, 2003**

(51) **LOC (7) Cl.** **24-02**

(52) **U.S. Cl.** **D24/144**

(58) **Field of Search** D24/107, 144,
D24/133, 141, 146, 200; 606/41, 1, 33,
31, 32, 27, 170, 167; 607/102, 1, 101, 96

(56) **References Cited**

U.S. PATENT DOCUMENTS

4,756,313	A	*	7/1988	Terwilliger	D24/133
5,888,200	A	*	3/1999	Walen	606/170
6,026,331	A		2/2000	Feldberg et al.		
D437,937	S	*	2/2001	Bottjer	D24/144
6,334,074	B1	*	12/2001	Spertell	607/101
2002/0193783	A1		12/2002	Gauthier et al.		

* cited by examiner

Primary Examiner—Ian Simmons

(74) *Attorney, Agent, or Firm*—Reising, Ethington, Barnes, Kisselle, P.C.

(57) **CLAIM**

The ornamental design for a treatment device probe, as shown and described.

DESCRIPTION

FIG. 1 is a perspective front view of a treatment device probe including the claimed ornamental design and shown attached to a handle shown in phantom;

FIG. 2 is a perspective aft view of the treatment device probe and handle of FIG. 1;

FIG. 3 is a left side view of the treatment device probe and handle of FIG. 1;

FIG. 4 is a top view of the treatment device probe and handle of FIG. 1;

FIG. 5 is a bottom view of the treatment device probe and handle of FIG. 1;

FIG. 6 is a front end view of the treatment device probe and handle of FIG. 1;

FIG. 7 is an aft end view of the treatment device probe and handle of FIG. 1;

FIG. 8 is a front perspective view of the treatment device of FIG. 1;

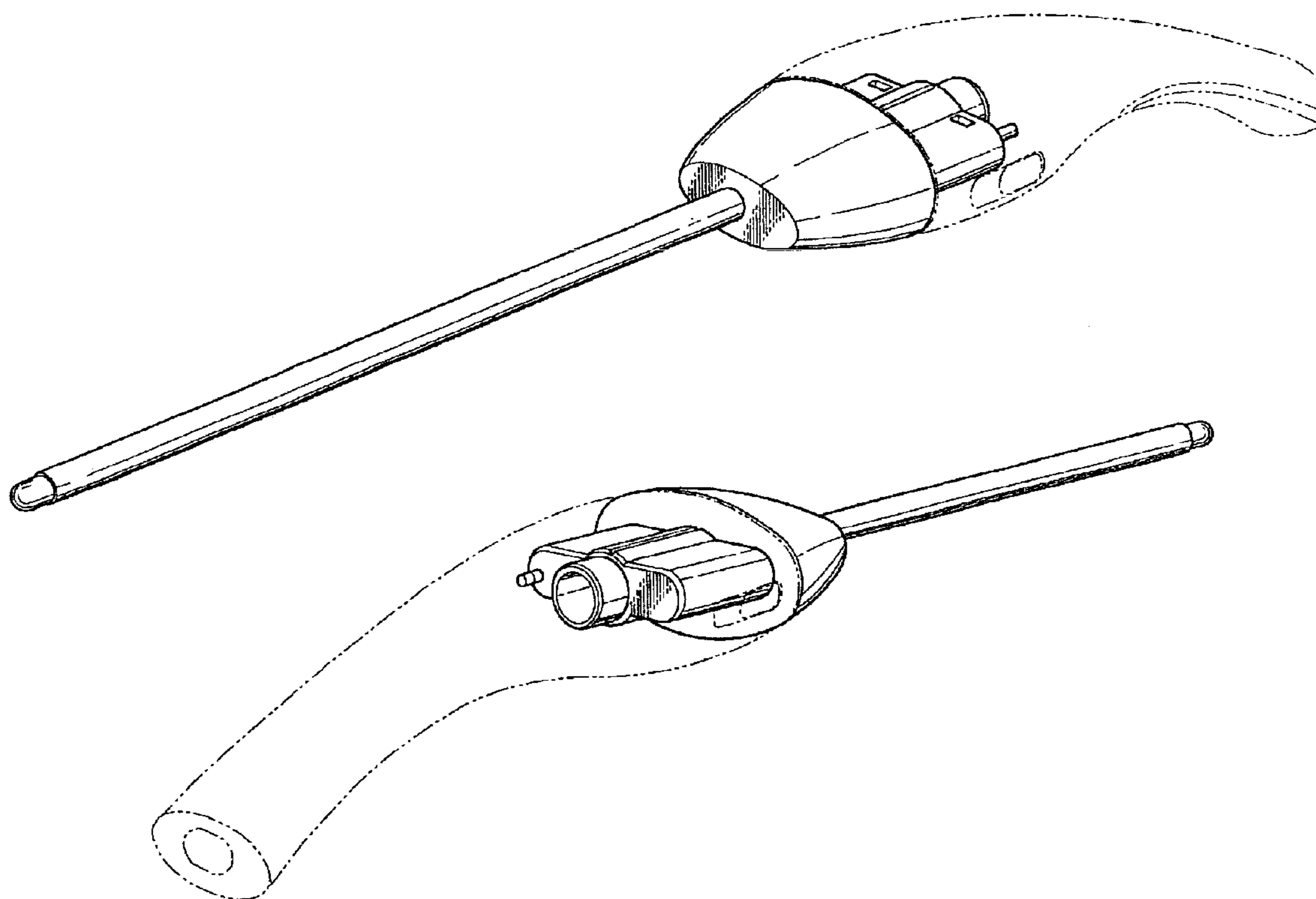
FIG. 9 is a top view of the treatment device of FIG. 1;

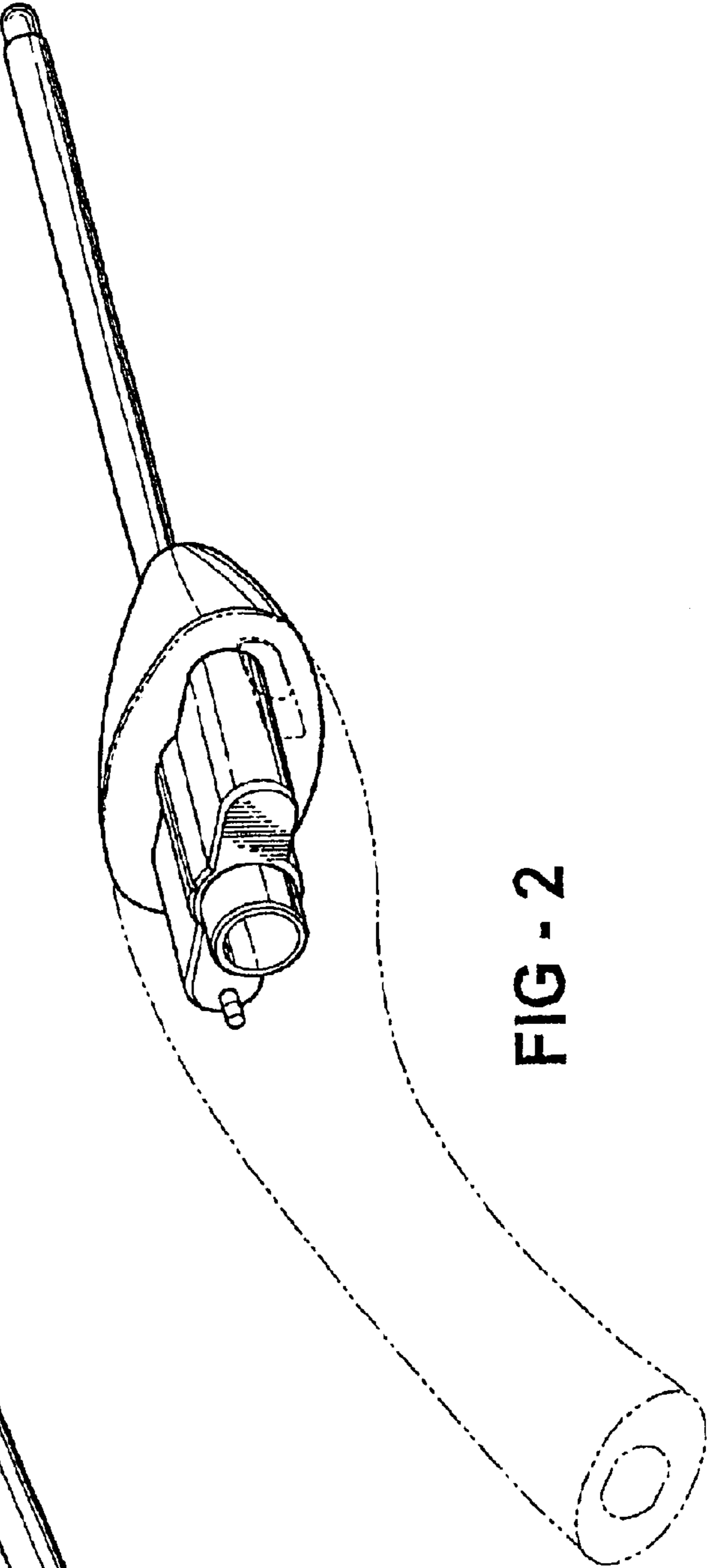
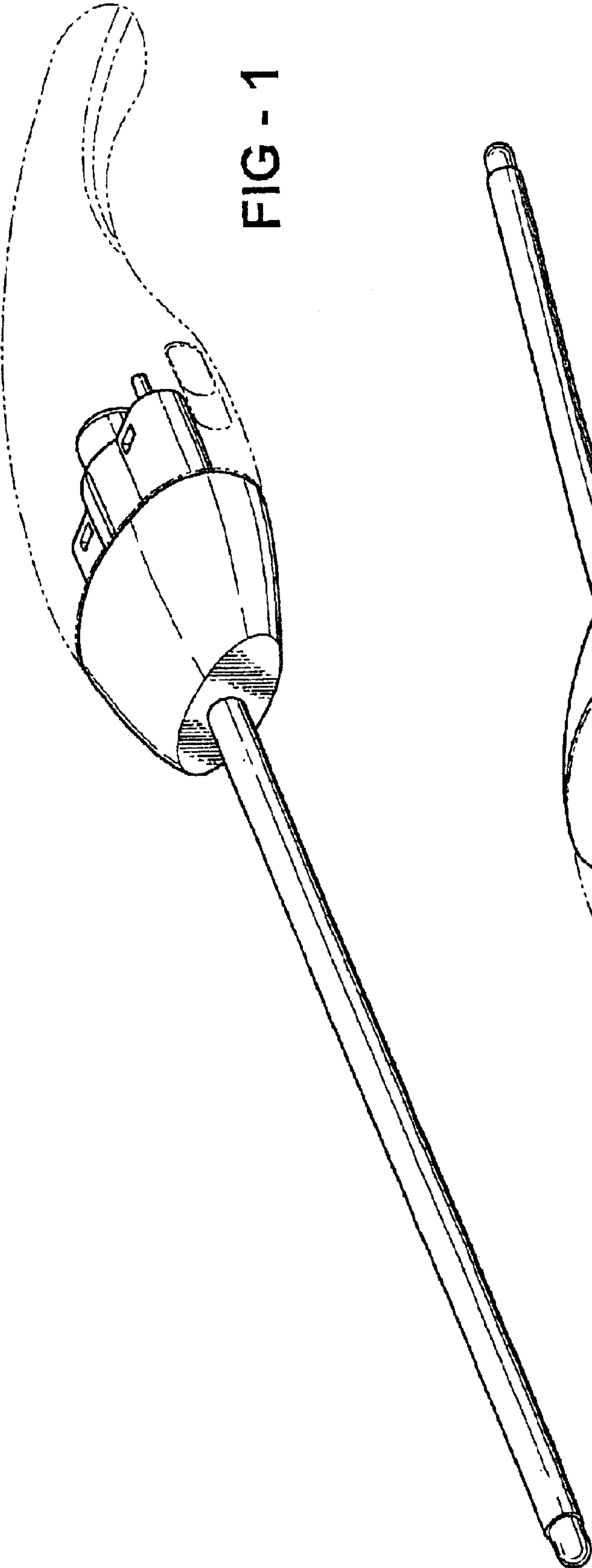
FIG. 10 is a bottom view of the treatment device of FIG. 1;

FIG. 11 is a right side view of the treatment device of FIG. 1; and,

FIG. 12 is a left side view of the treatment device of FIG. 1.

1 Claim, 4 Drawing Sheets





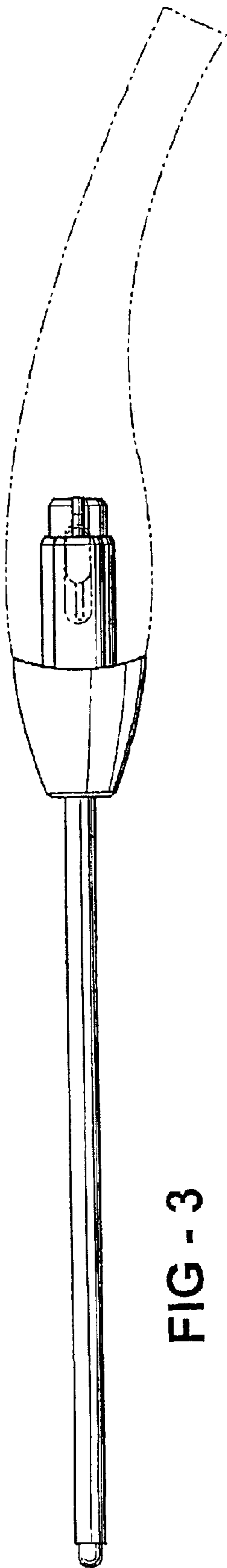


FIG - 3

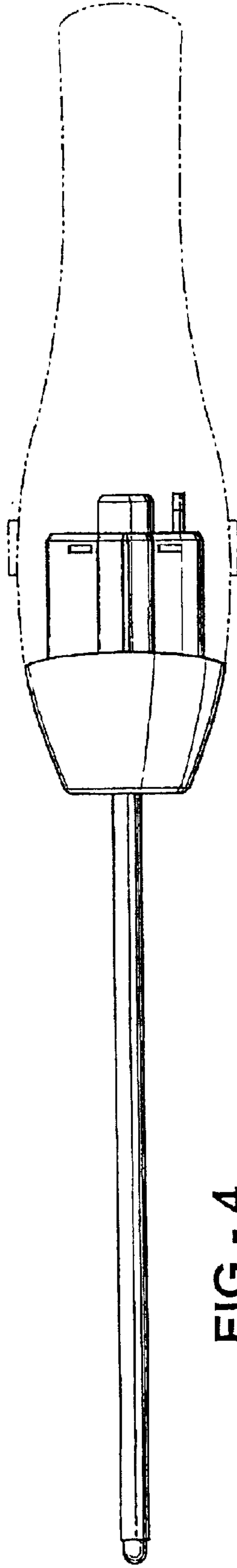


FIG - 4

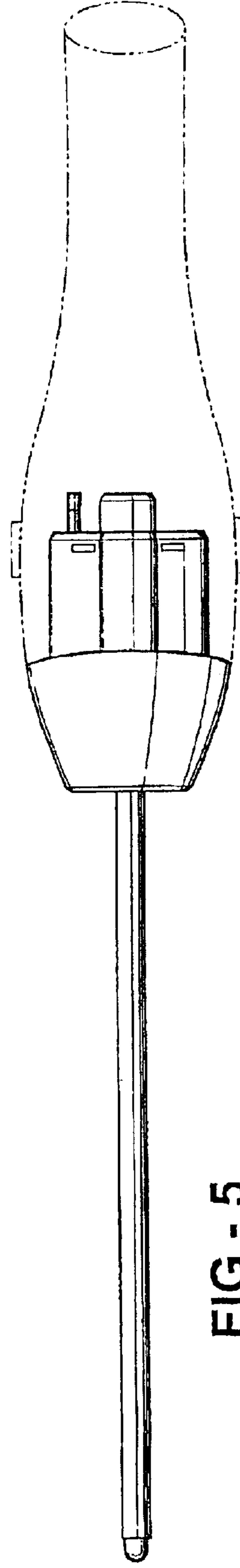


FIG - 5

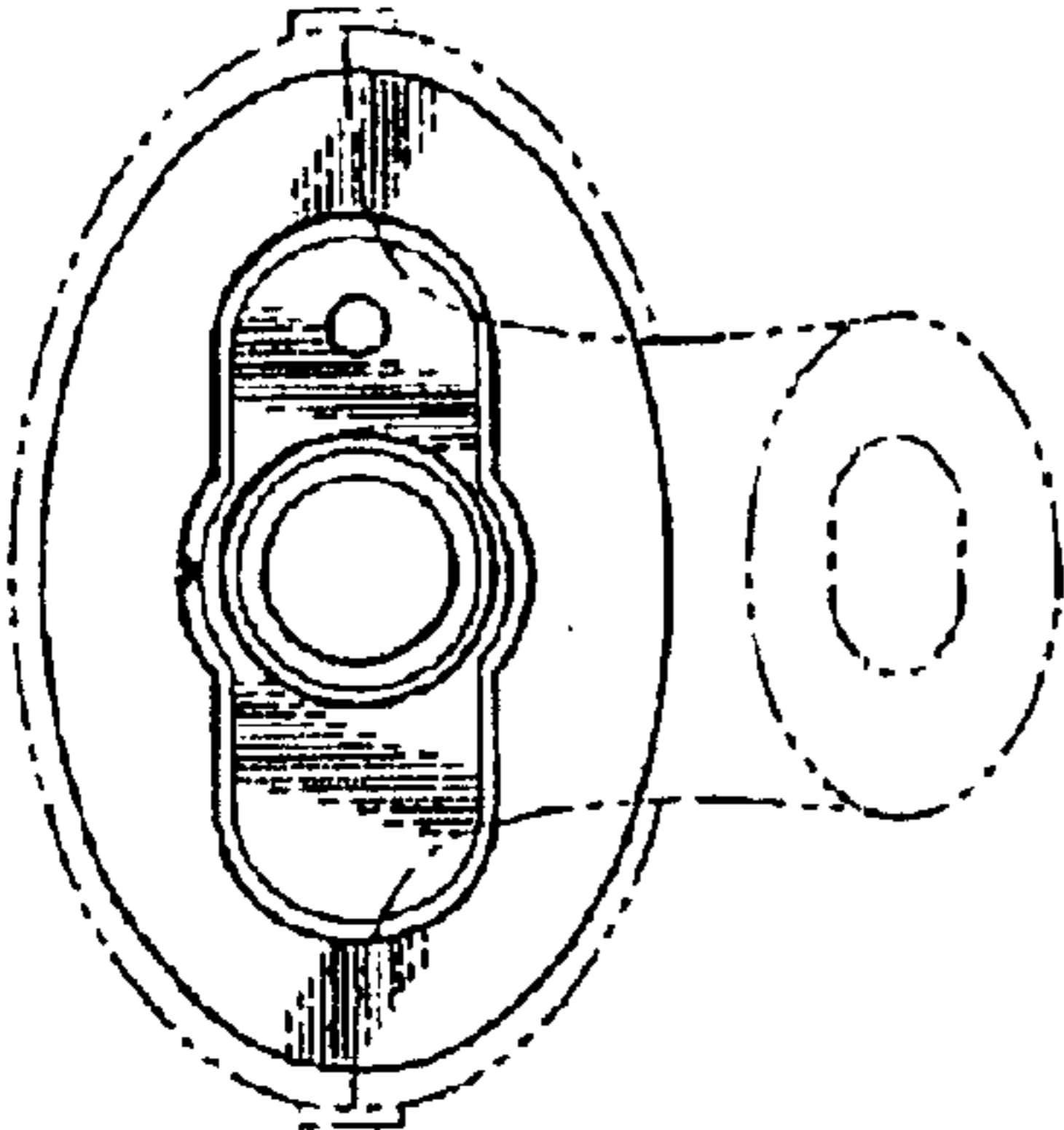


FIG - 7

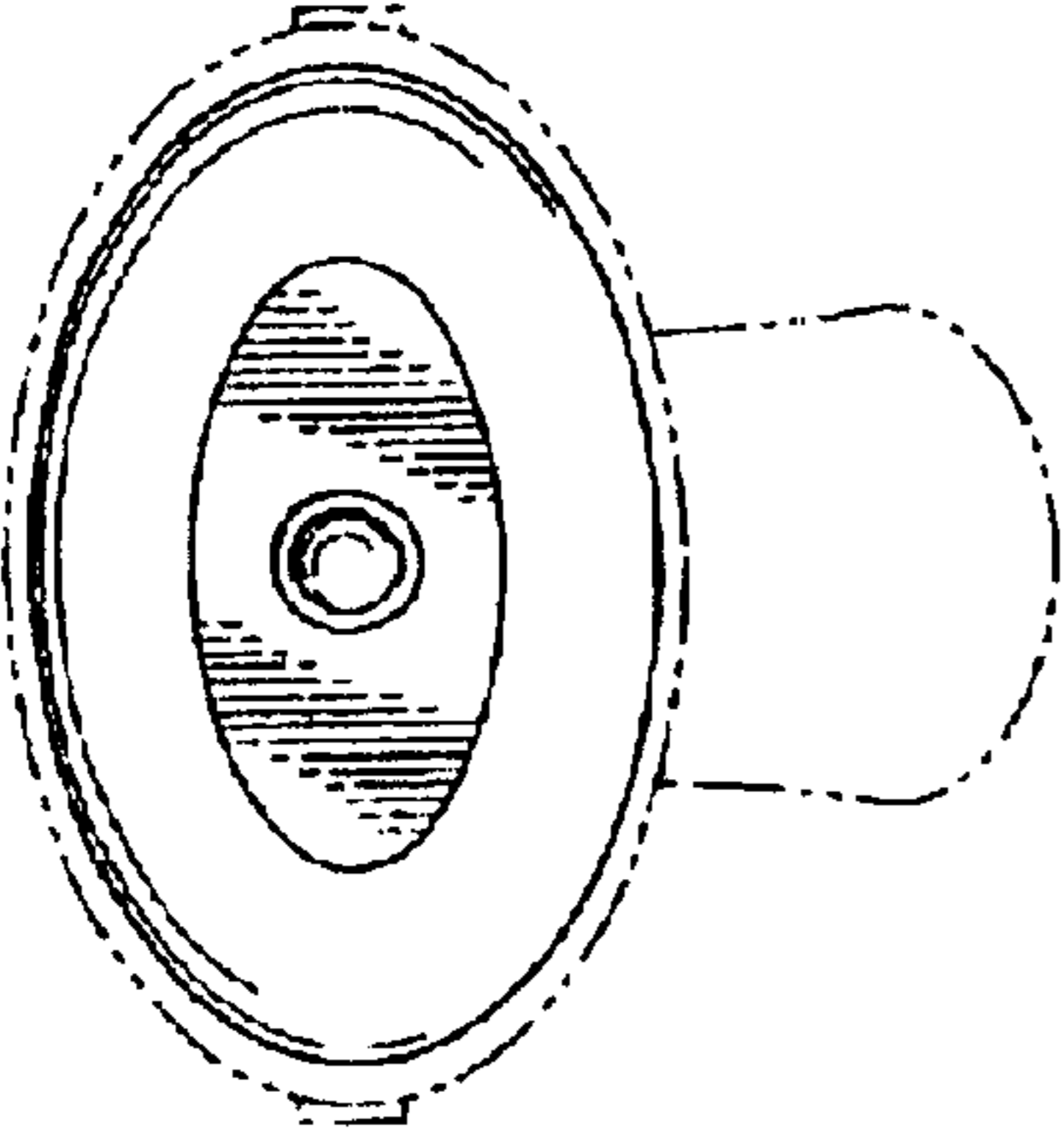


FIG - 6

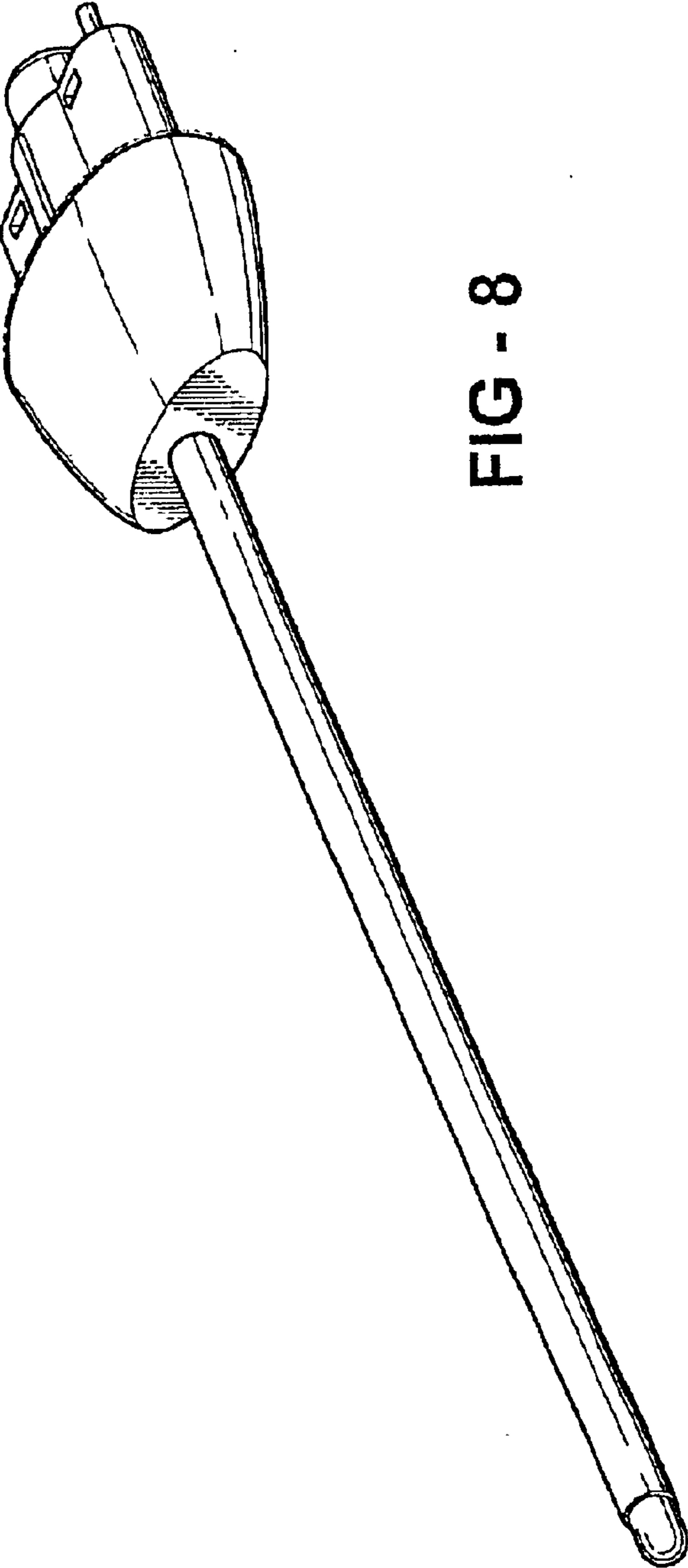


FIG - 8

FIG - 9

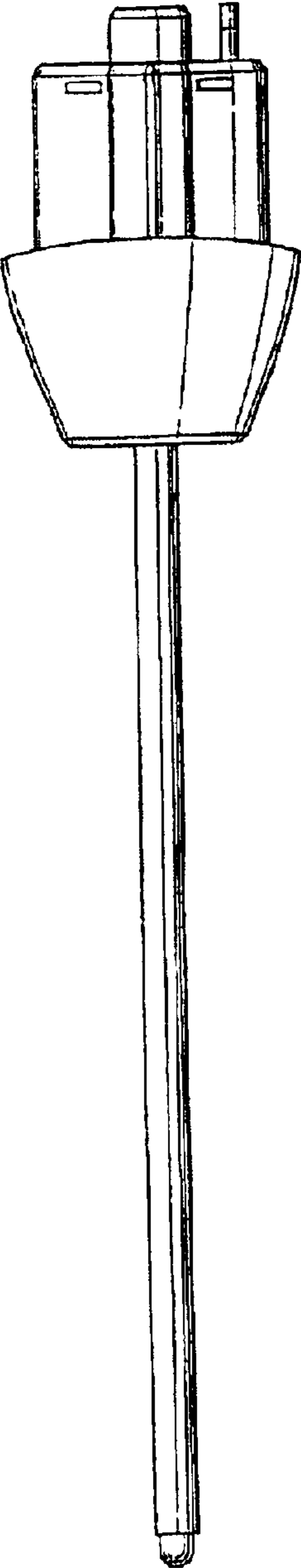


FIG - 10

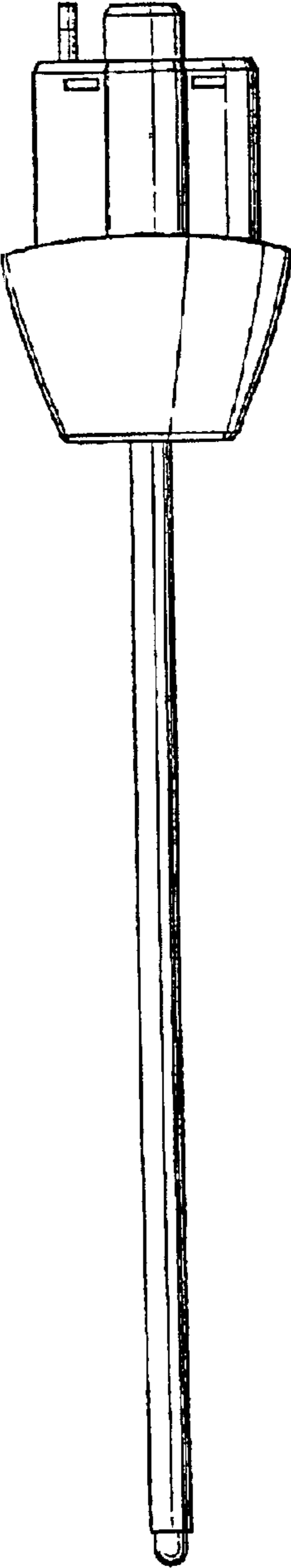


FIG - 11

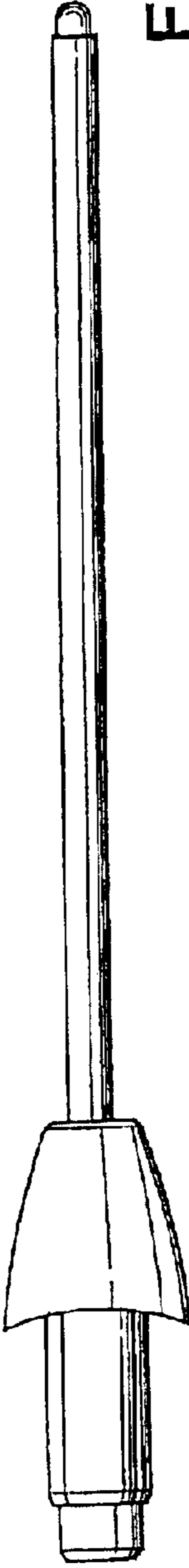


FIG - 12

