

US00D493530S1

(12) **United States Design Patent**
Reschke

(10) **Patent No.:** **US D493,530 S**
(45) **Date of Patent:** **** Jul. 27, 2004**

(54) **ELECTROSURGICAL PENCIL WITH SLIDE ACTIVATOR**

(75) Inventor: **Arlan James Reschke**, Boulder, CO (US)

(73) Assignee: **Sherwood Services AG**, Schaffhuasen (CH)

(**) Term: **14 Years**

(21) Appl. No.: **29/175,417**

(22) Filed: **Feb. 4, 2003**

(51) **LOC (7) Cl.** **24-02**

(52) **U.S. Cl.** **D24/144**

(58) **Field of Search** D24/144, 147, D24/133; D8/82, 107, 83, 85, 43; 606/40, 42, 41, 45, 1, 190

5,282,799 A	*	2/1994	Rydell	606/42
5,306,238 A		4/1994	Fleenor		
5,318,565 A		6/1994	Kuriloff et al.		
5,376,089 A		12/1994	Smith		
5,395,363 A		3/1995	Billings et al.		
5,409,484 A		4/1995	Erlich et al.		
5,413,575 A		5/1995	Haenggi		
5,431,650 A		7/1995	Cosmescu		
5,451,222 A		9/1995	De Maagd et al.		
5,460,602 A		10/1995	Shapira		
5,484,434 A	*	1/1996	Cartmell et al.	D24/144
5,893,862 A		4/1999	Pratt et al.		
6,099,525 A		8/2000	Cosmescu		
6,142,995 A		11/2000	Cosmescu		
6,146,353 A		11/2000	Platt, Jr.		
D453,833 S	*	2/2002	Hess	D24/144

FOREIGN PATENT DOCUMENTS

FR	2 235 669	1/1975
WO	WO 94/20032	9/1994

* cited by examiner

Primary Examiner—Ian Simmons

(57) **CLAIM**

The ornamental design for an electrosurgical pencil with slide activator, as shown and described.

DESCRIPTION

FIG. 1 is a perspective view of the electrosurgical pencil with slide activator;
 FIG. 2 is a top view thereof;
 FIG. 3 is a bottom view thereof;
 FIG. 4 is a right side view thereof;
 FIG. 5 is a front view thereof;
 FIG. 6 is a left side view thereof; and,
 FIG. 7 is a rear view thereof.

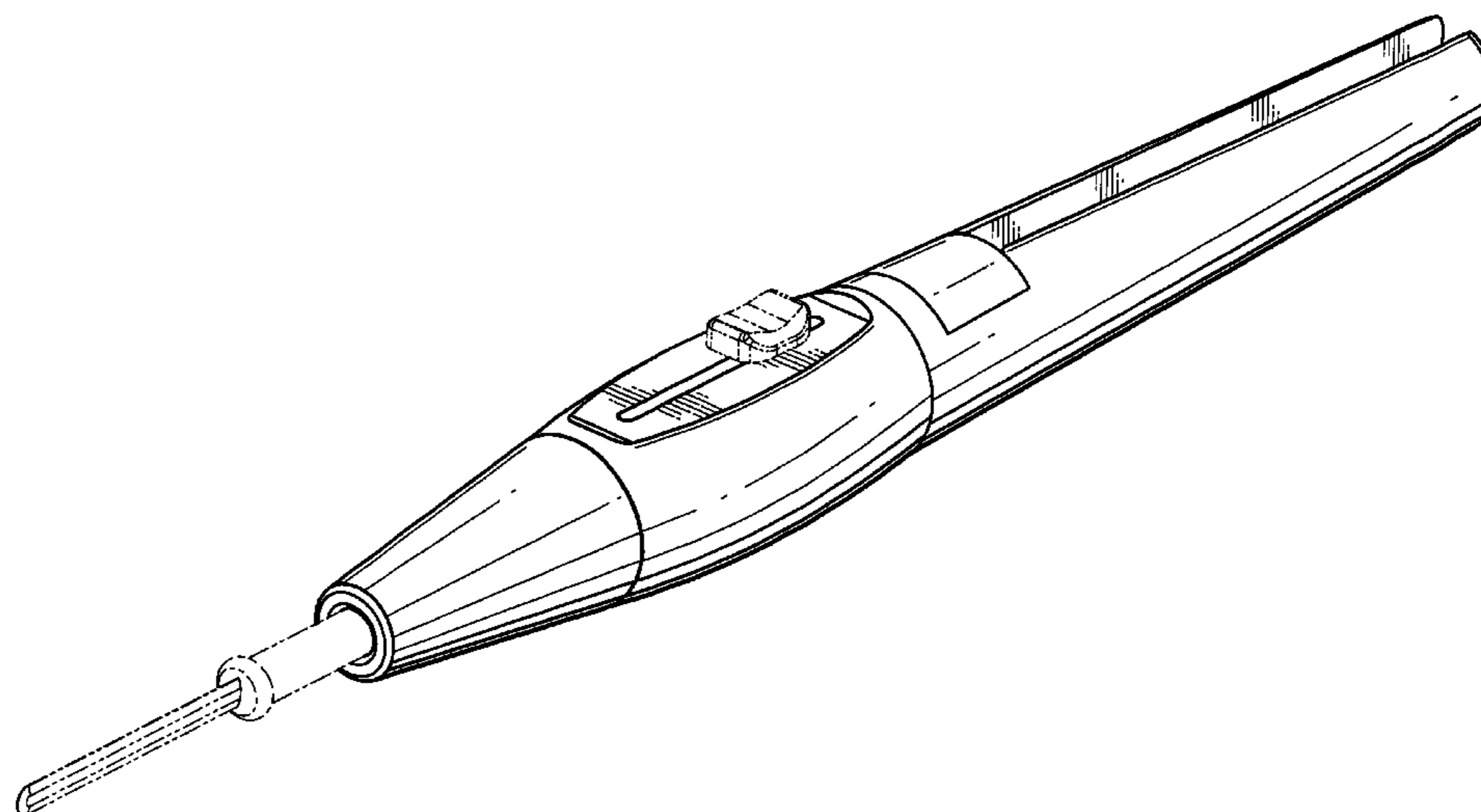
The broken lines showing in FIGS. 1–7 are for illustrative purposes only and form no part of the claimed design.

1 Claim, 4 Drawing Sheets

(56) **References Cited**

U.S. PATENT DOCUMENTS

D226,829 S	*	5/1973	Staub	D24/144
3,825,004 A		7/1974	Durden, III		
3,828,780 A		8/1974	Morrison, Jr.		
3,906,955 A		9/1975	Roberts		
3,974,833 A		8/1976	Durden, III		
4,032,738 A		6/1977	Esty et al.		
4,427,006 A		1/1984	Nottke		
4,459,443 A		7/1984	Lewandowski		
4,562,838 A		1/1986	Walker		
4,625,723 A		12/1986	Altenther et al.		
4,802,476 A	*	2/1989	Noerenberg et al.	606/40
4,911,159 A		3/1990	Johnson et al.		
5,055,100 A		10/1991	Olsen		
5,071,418 A		12/1991	Rosenbaum		
5,098,430 A		3/1992	Fleenor		
5,192,267 A		3/1993	Shapira et al.		
5,195,959 A		3/1993	Smith		
5,234,428 A		8/1993	Kaufman		
5,242,442 A		9/1993	Hirschfeld		
5,269,781 A		12/1993	Hewell, III		



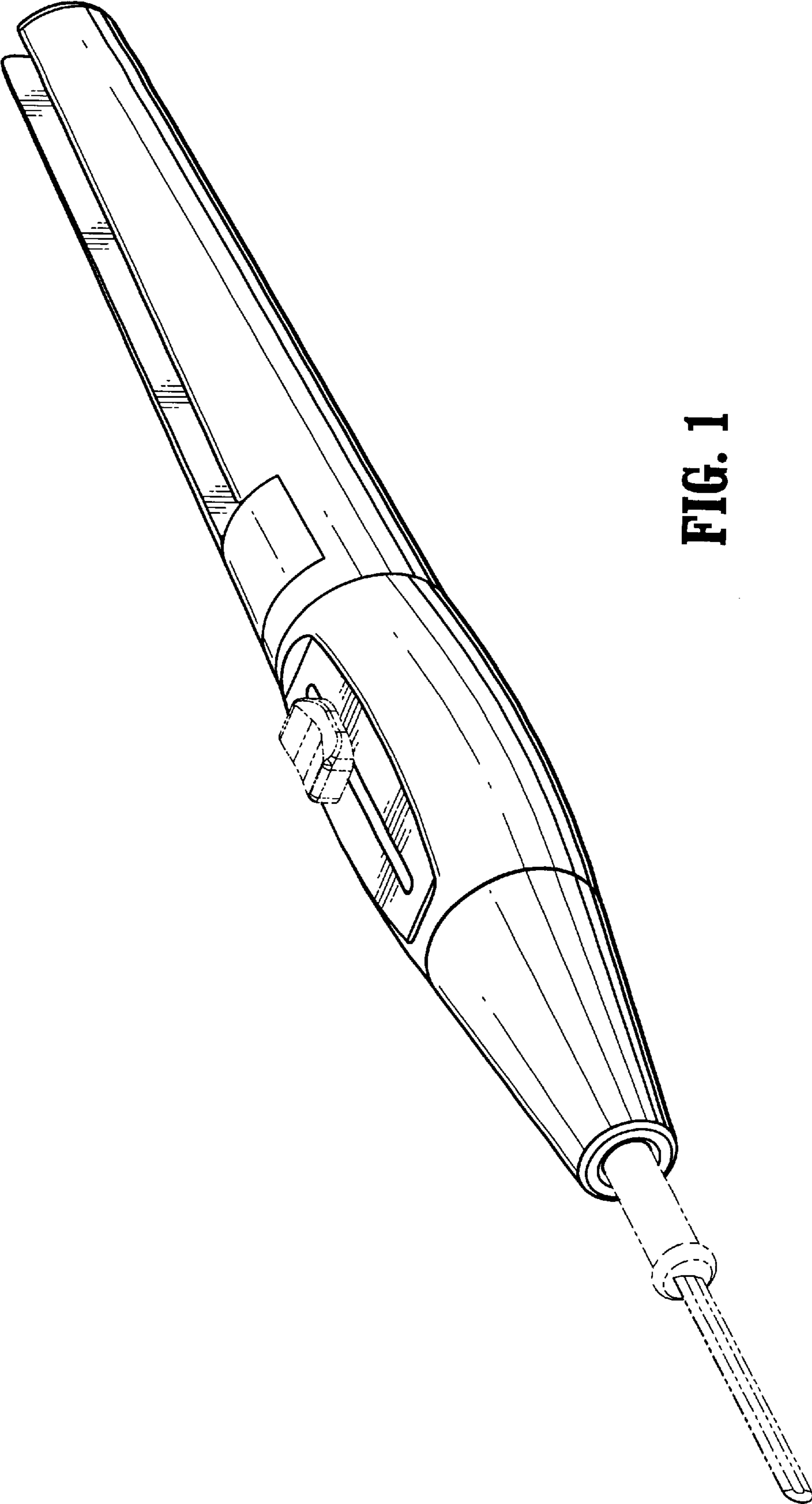


FIG. 1

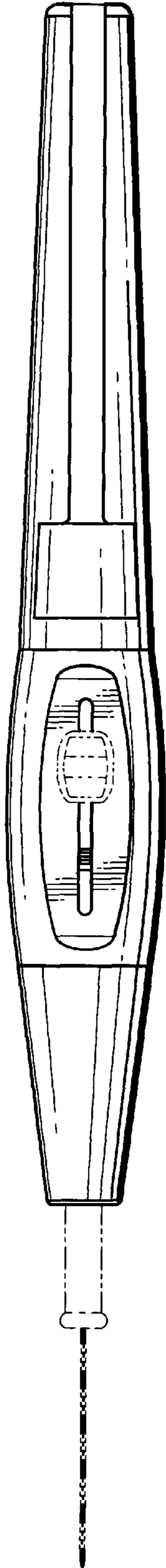


FIG. 2

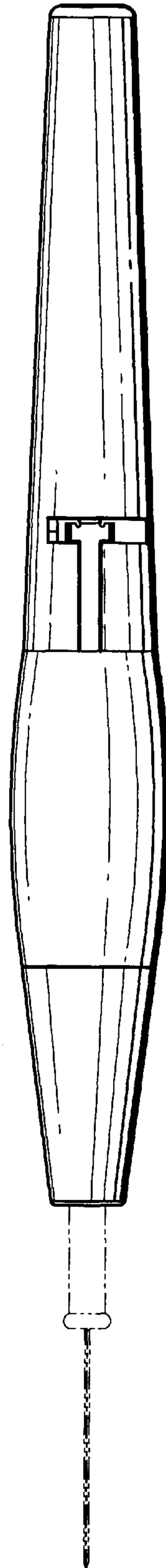


FIG. 3

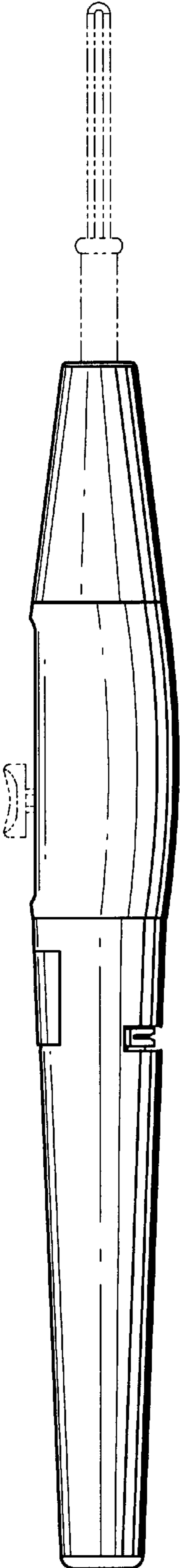


FIG. 4

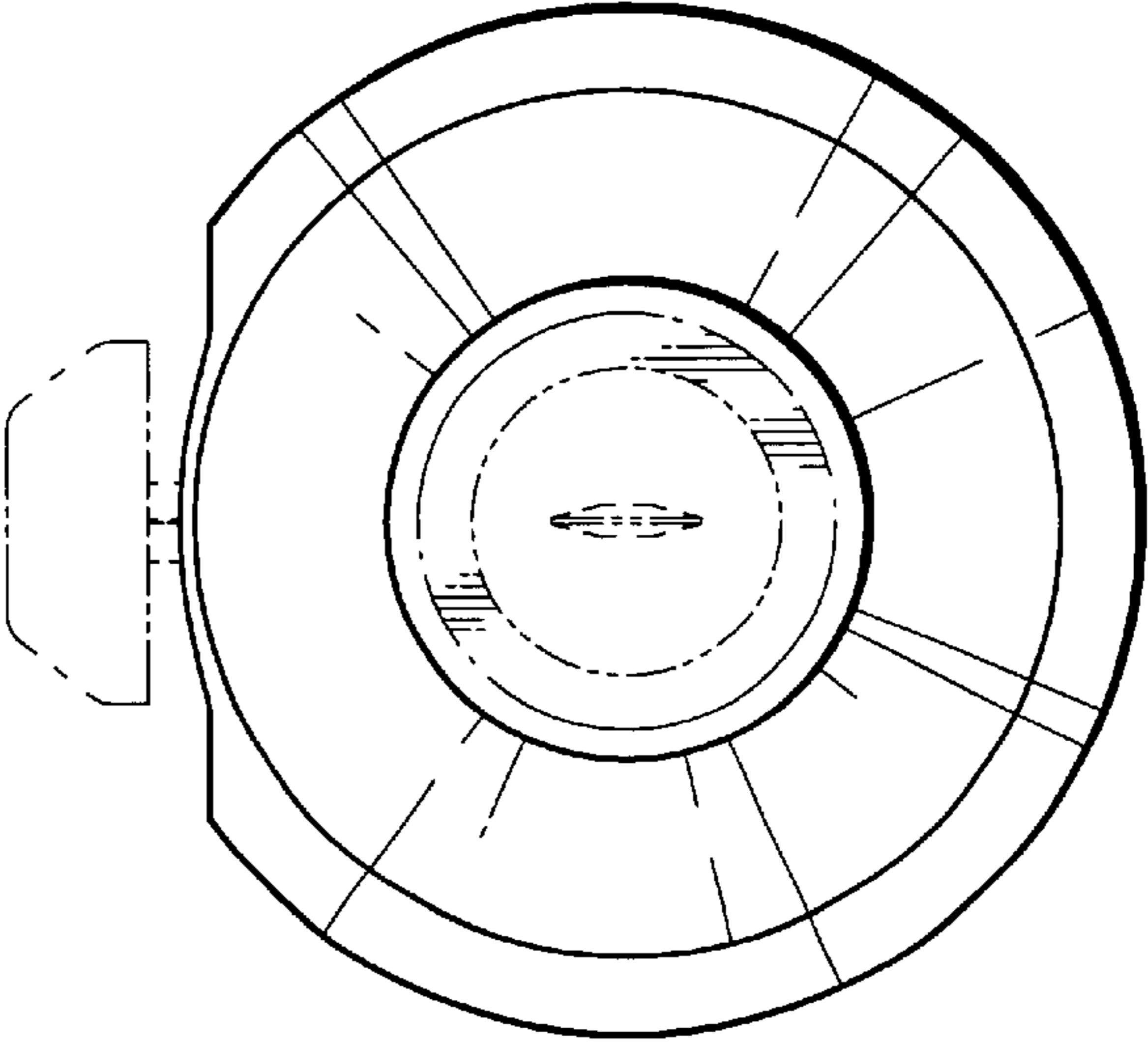


FIG. 5

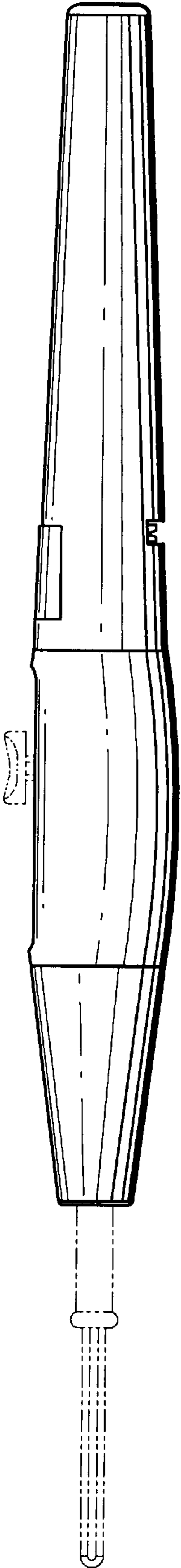


FIG. 6

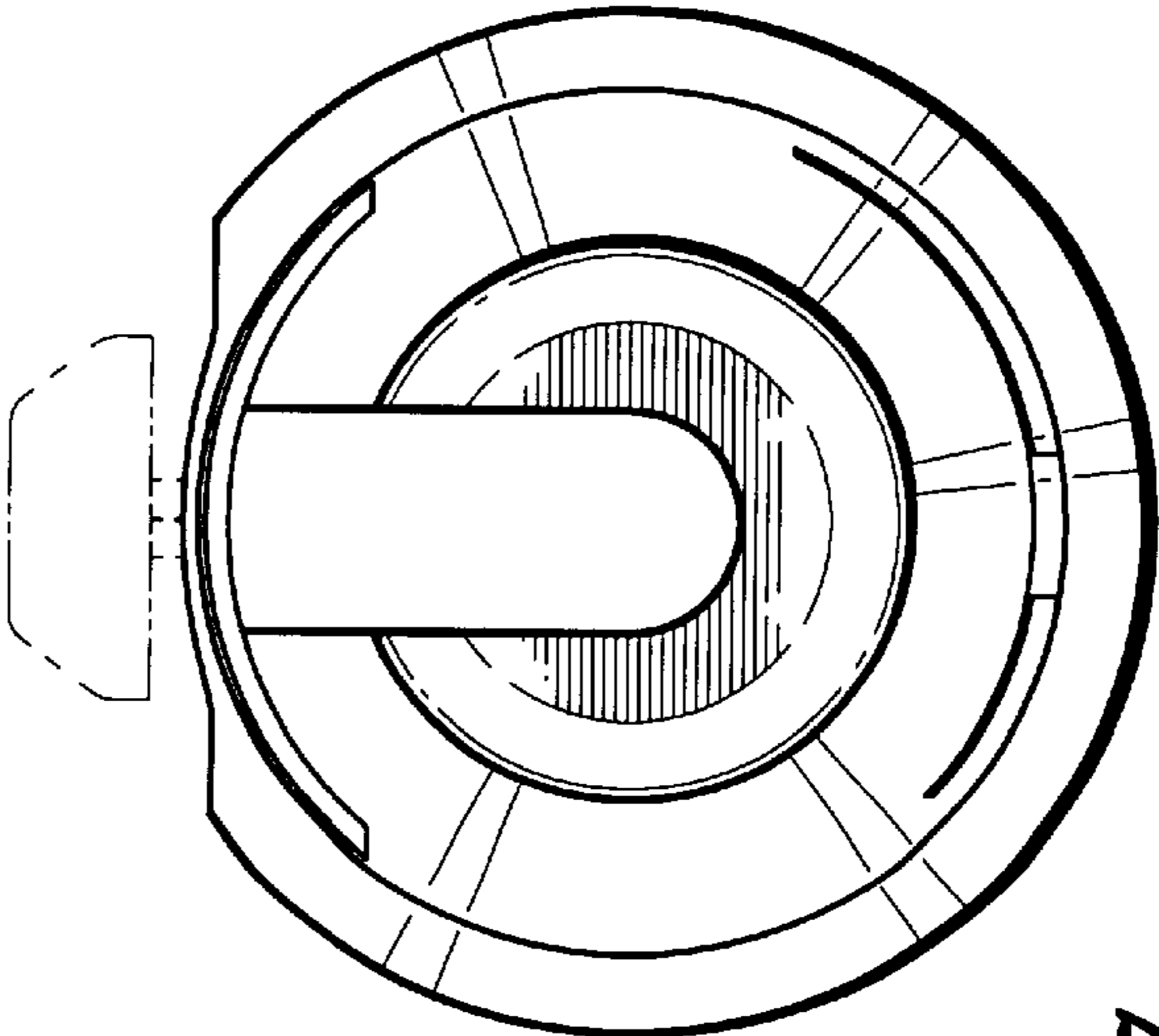


FIG. 7