

US00D493529S1

(12) **United States Design Patent**  
**Hayamizu et al.**

(10) **Patent No.:** **US D493,529 S**  
(45) **Date of Patent:** **\*\* Jul. 27, 2004**

(54) **ENDOSCOPE**

(75) Inventors: **Eiji Hayamizu**, Tokyo (JP); **Takayuki Ogino**, Saitama (JP)

(73) Assignee: **Pentax Corporation**, Tokyo (JP)

(\*\*) Term: **14 Years**

(21) Appl. No.: **29/194,092**

(22) Filed: **Nov. 20, 2003**

**Related U.S. Application Data**

(62) Division of application No. 29/166,264, filed on Aug. 26, 2002, now Pat. No. Des. 486,910.

(30) **Foreign Application Priority Data**

Feb. 27, 2002 (JP) ..... 2002-004976  
Feb. 27, 2002 (JP) ..... 2002-005038  
Feb. 27, 2002 (JP) ..... 2002-005039  
Feb. 27, 2002 (JP) ..... 2002-005040

(51) **LOC (7) Cl.** ..... **24-02**

(52) **U.S. Cl.** ..... **D24/138**

(58) **Field of Search** ..... D24/138; 600/160,  
600/131, 132, 110, 158, 167, 168, 146,  
147, 163, 197, 148, 149, 138

(56) **References Cited**

**U.S. PATENT DOCUMENTS**

D269,457 S 6/1983 Ishiwara  
D277,407 S 1/1985 Imada  
D277,505 S 2/1985 Kubokawa et al.  
4,617,914 A 10/1986 Ueda  
5,667,476 A 9/1997 Frassica et al.

5,993,381 A 11/1999 Ito  
6,443,888 B1 9/2002 Ogura et al.  
6,450,947 B1 \* 9/2002 Arai ..... 600/160  
6,491,627 B1 12/2002 Komi  
6,520,908 B1 2/2003 Ikeda et al.

**FOREIGN PATENT DOCUMENTS**

JP 932 630 8/1995  
JP 1029118 1/1999

**OTHER PUBLICATIONS**

Die Neue Endoskop-Generation 485 der EVE-Serie 400 Von Fujinon.

\* cited by examiner

*Primary Examiner*—Ian Simmons

(74) *Attorney, Agent, or Firm*—Sughrue Mion, PLLC

(57) **CLAIM**

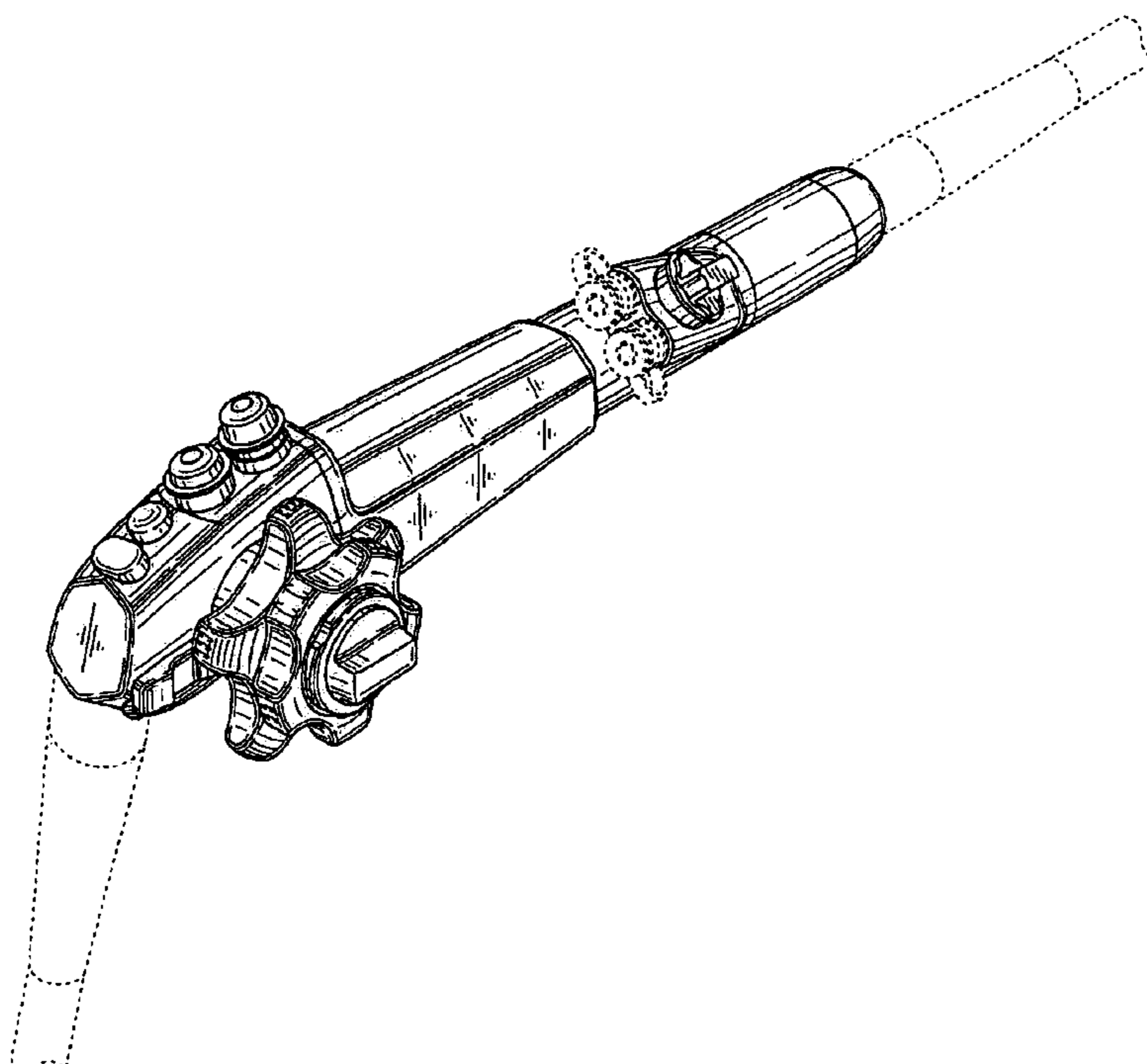
The ornamental design for an endoscope, as shown and described.

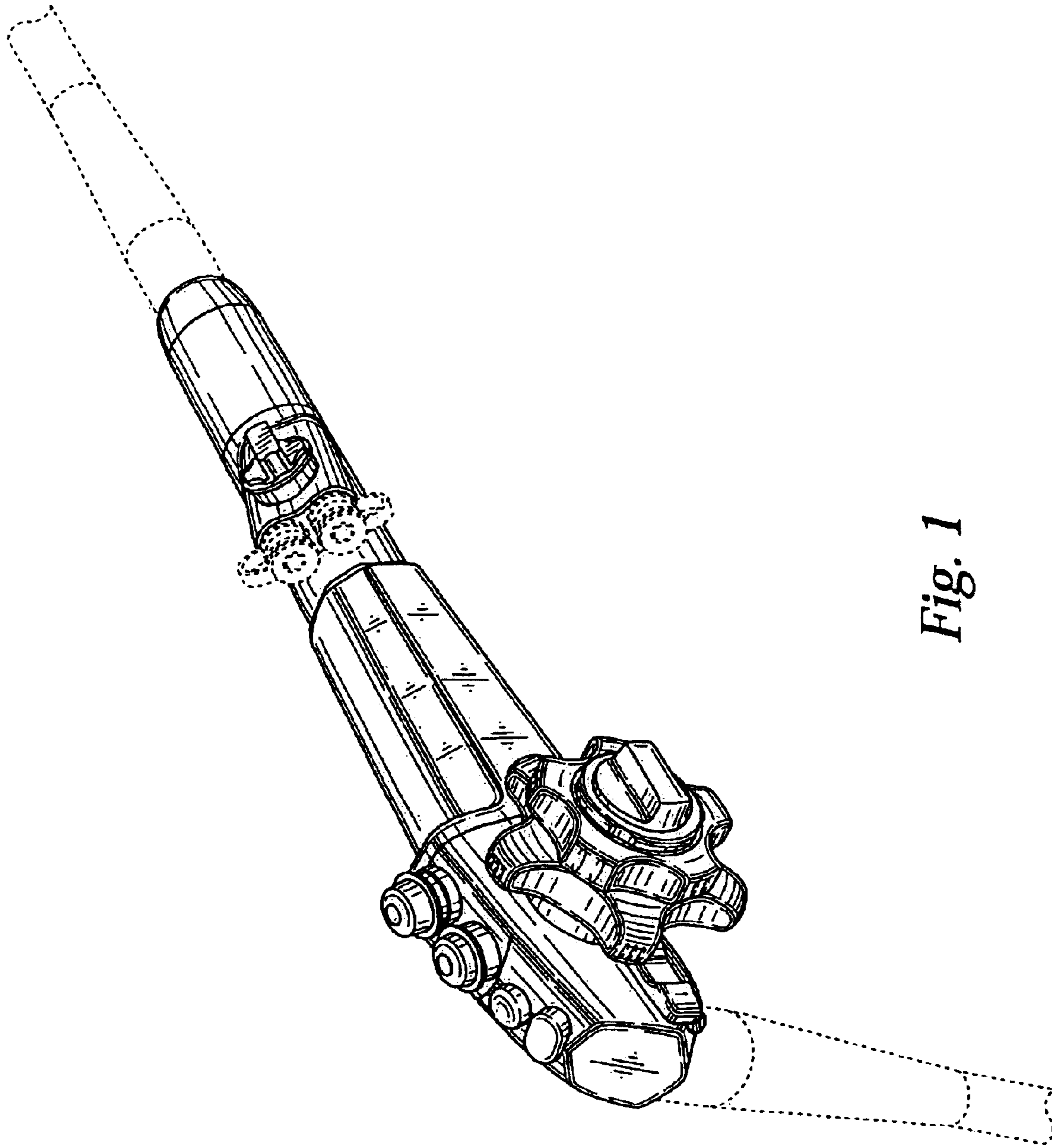
**DESCRIPTION**

FIG. 1 is a perspective view of the top, front and one side of an endoscope showing our new design; FIG. 2 is a front elevational view thereof; FIG. 3 is a rear elevational view thereof; FIG. 4 is an end elevational view of said one end thereof; FIG. 5 is an end elevational view of an opposite end thereof; FIG. 6 is a top plan view thereof; and, FIG. 7 is a bottom plan view thereof.

The elements shown in broken lines are for illustrative purposes only and form no part of the claimed design.

**1 Claim, 5 Drawing Sheets**





*Fig. 1*

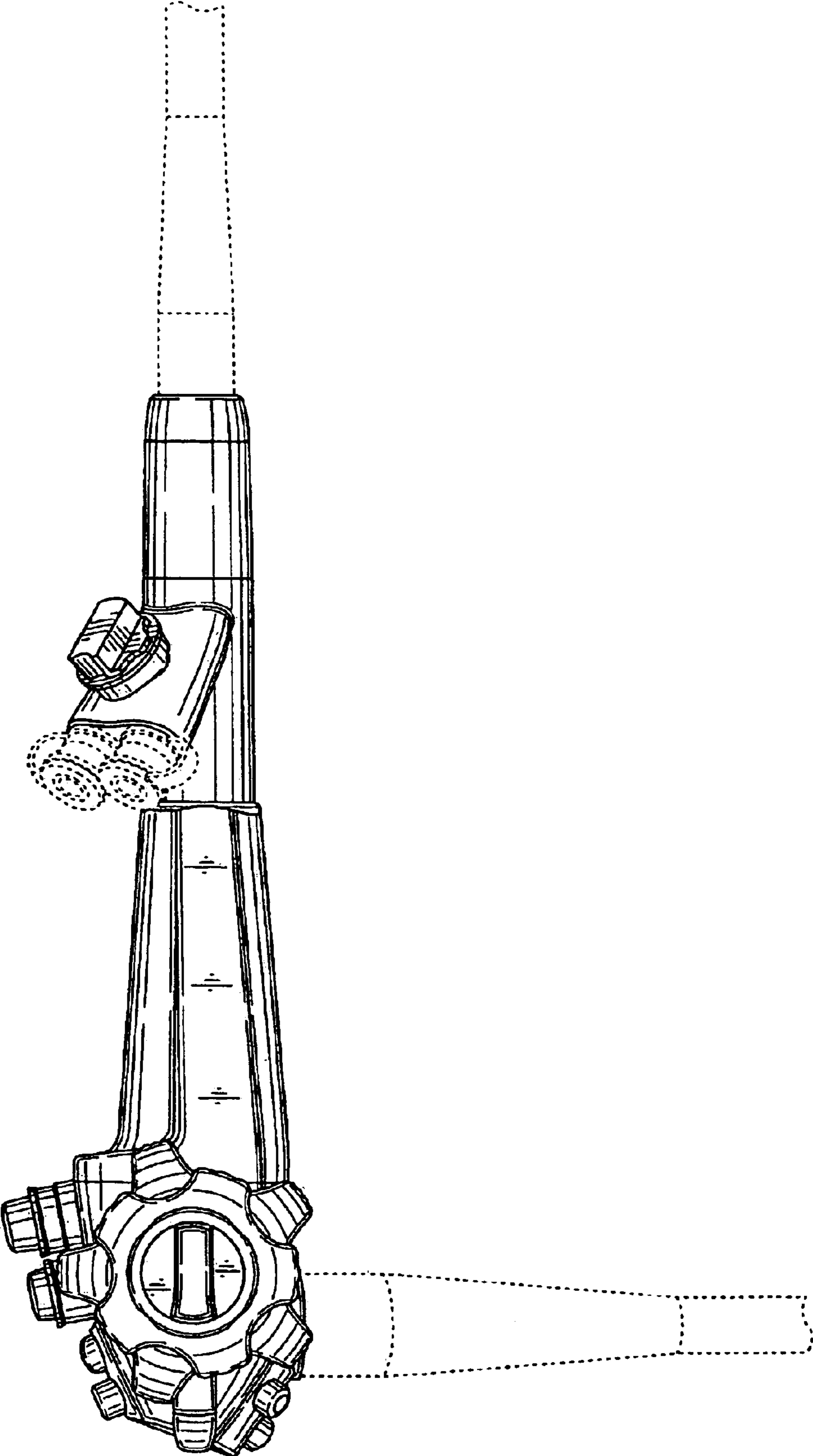


Fig. 2

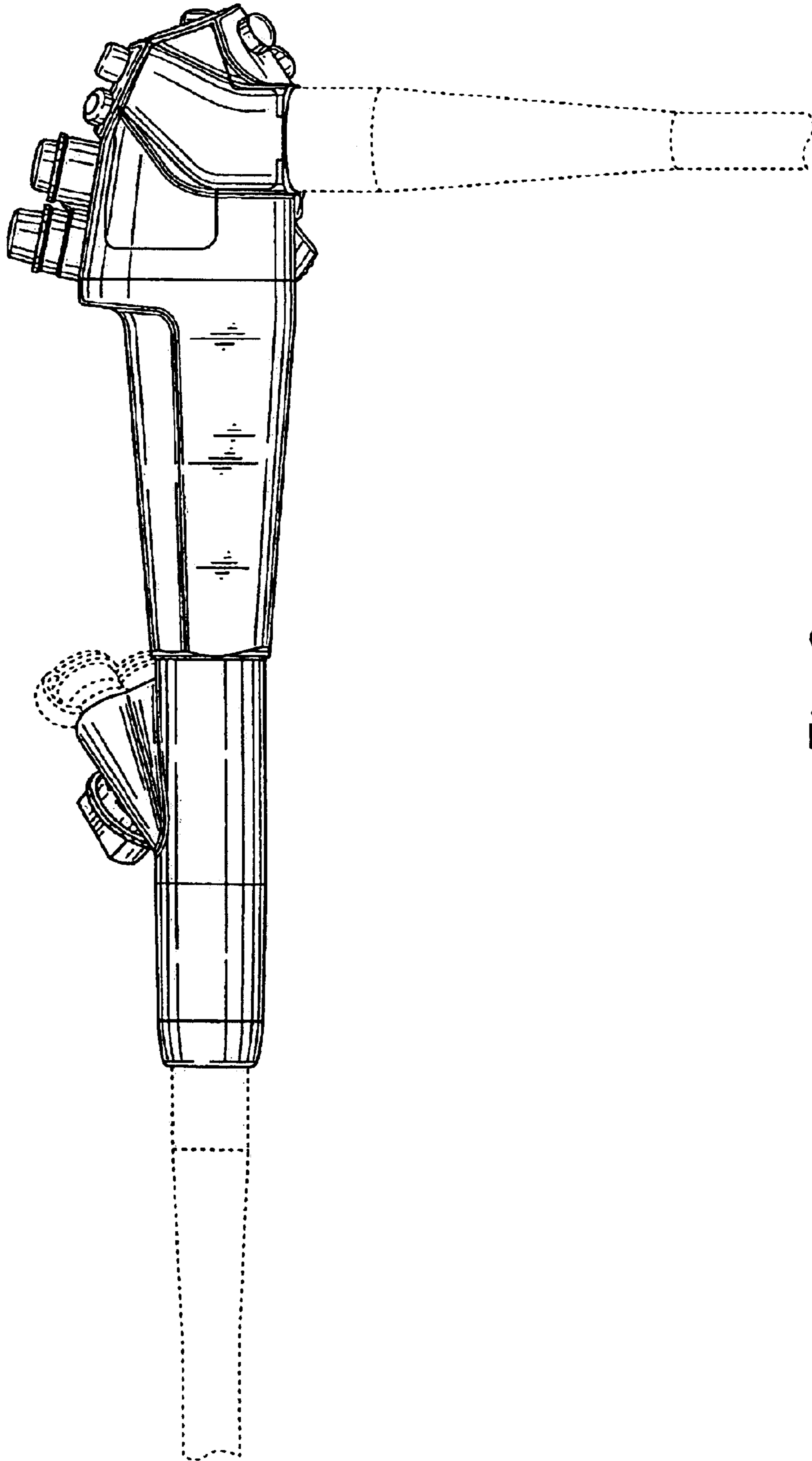
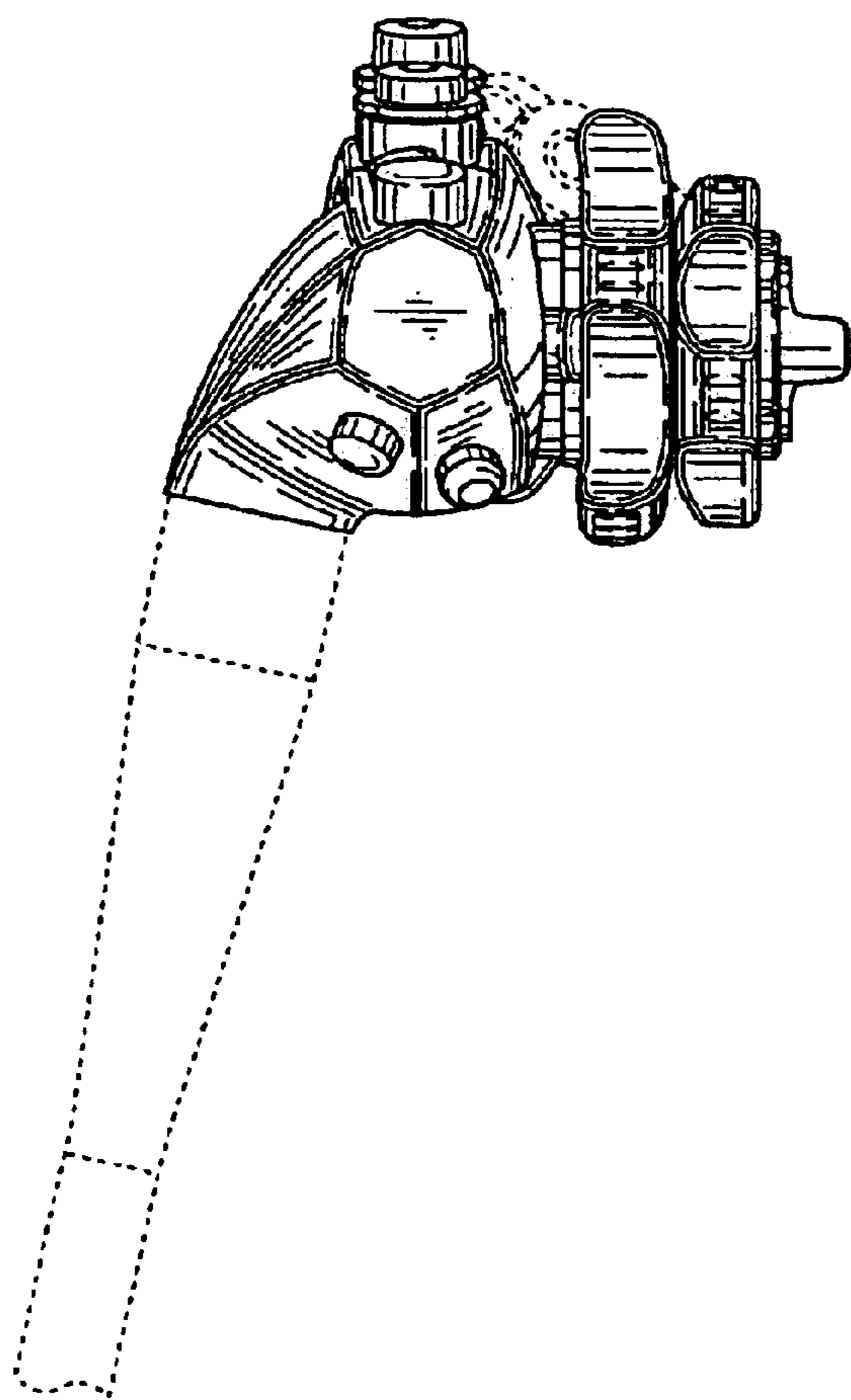
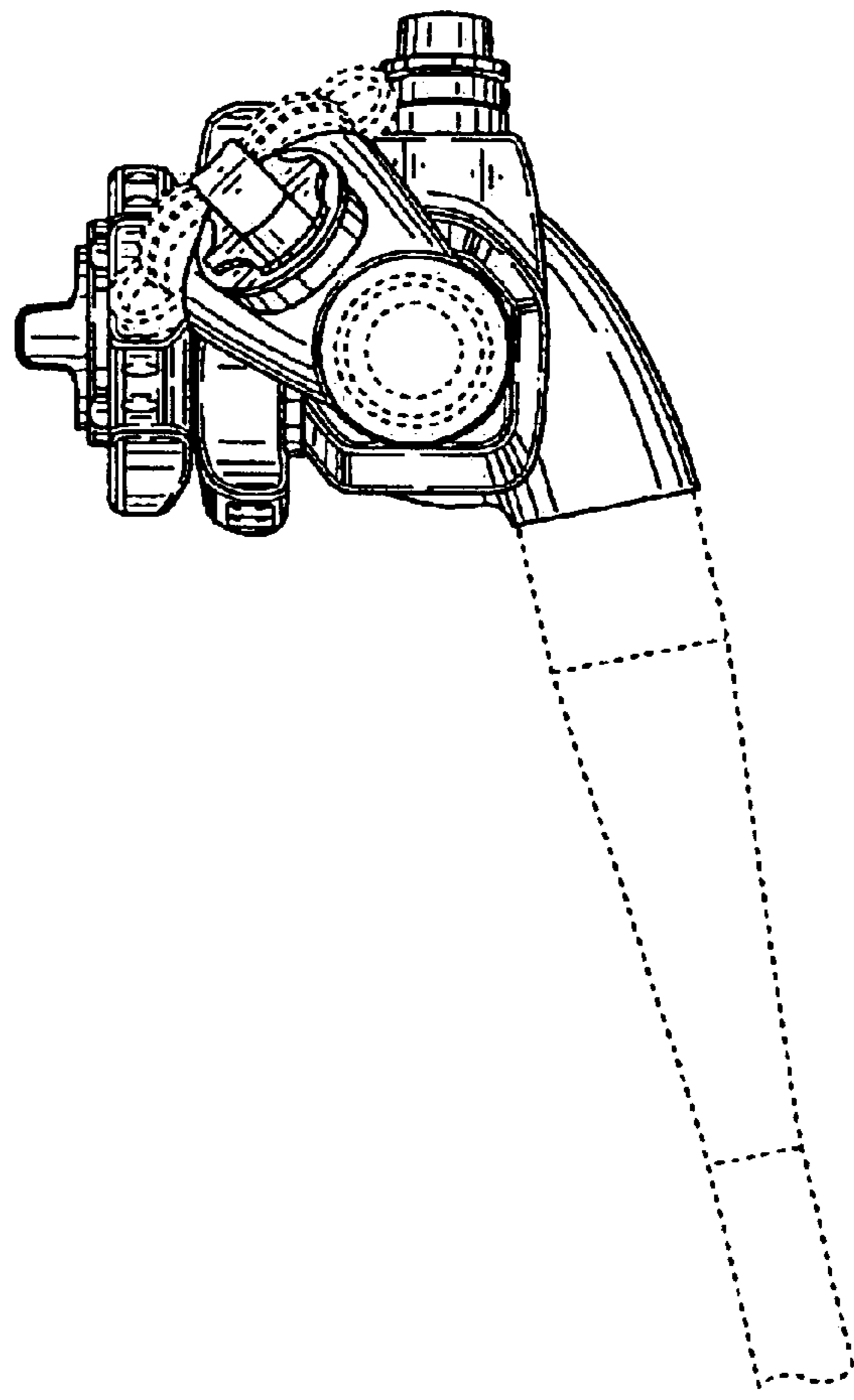


Fig. 3



*Fig. 4*



*Fig. 5*



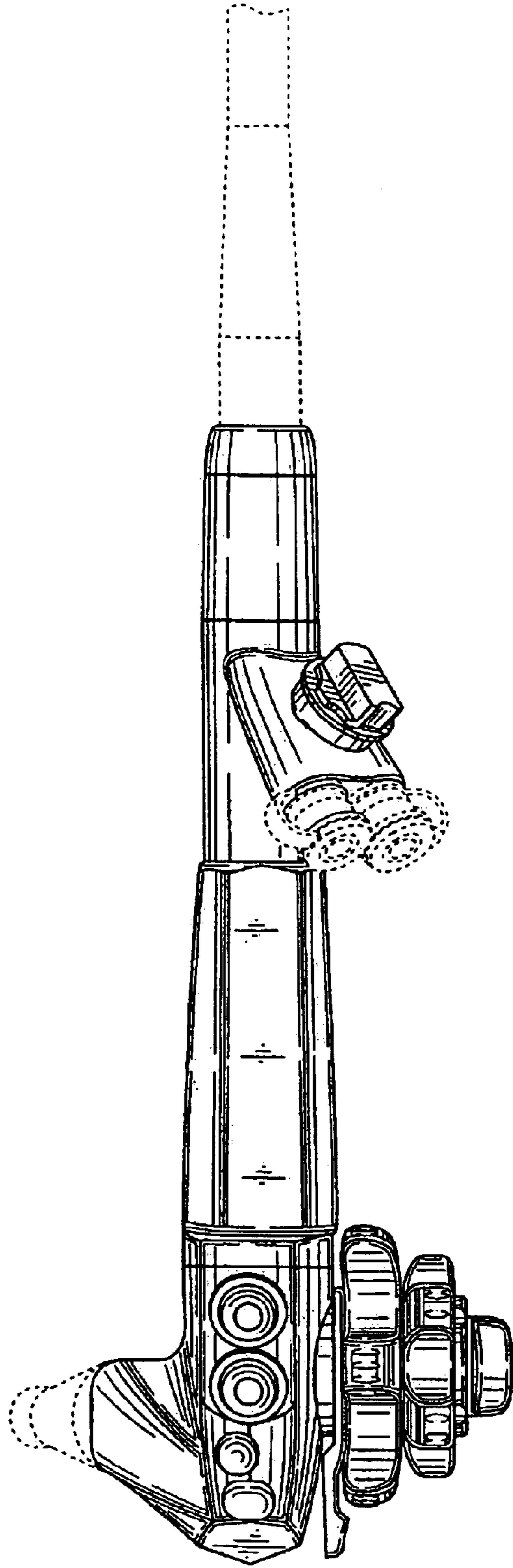


Fig. 6

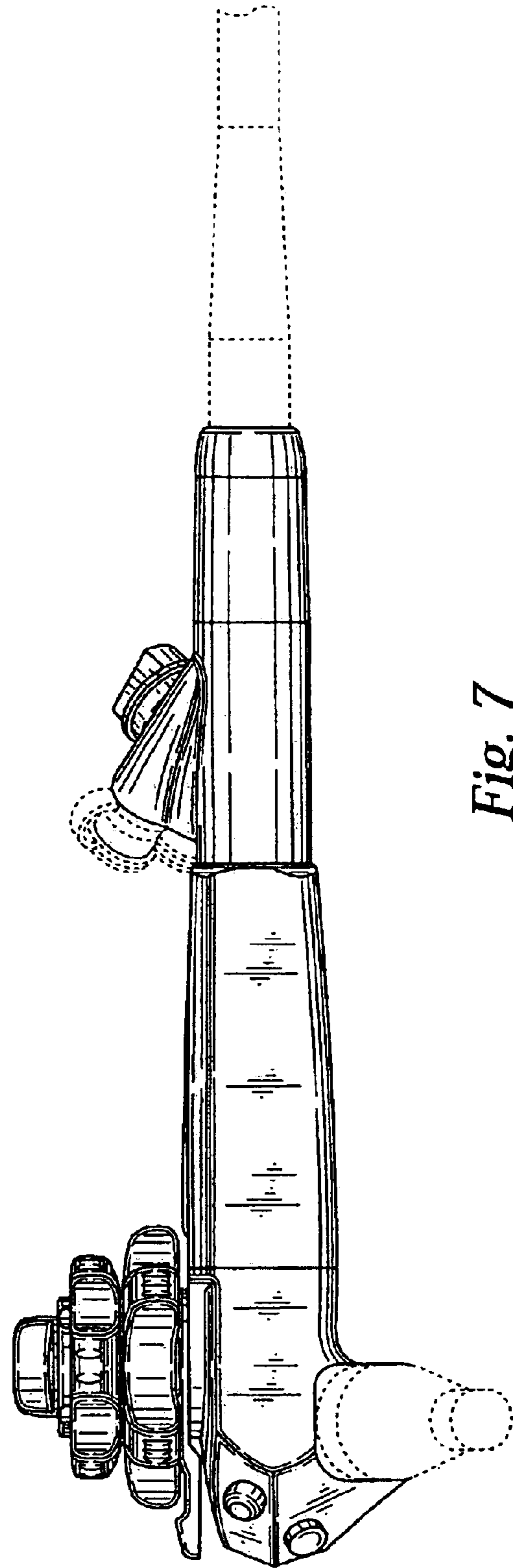


Fig. 7