

US00D493527S1

(12) **United States Design Patent**
Szabo

(10) **Patent No.:** **US D493,527 S**
(45) **Date of Patent:** **** Jul. 27, 2004**

(54) **HANDLE FOR MEDICAL INSTRUMENTS**

D462,440 S * 9/2002 Formanek D24/133
D479,111 S * 9/2003 Wang D8/83

(75) **Inventor:** **Zoltan Szabo**, San Francisco, CA (US)

FOREIGN PATENT DOCUMENTS

(73) **Assignee:** **Karl Storz GmbH & Co. KG** (DE)

DE 4211417 10/1993
DE 29902625 8/1999
DE 19860444 7/2000

(**) **Term:** **14 Years**

* cited by examiner

(21) **Appl. No.:** **29/172,247**

Primary Examiner—Stella Reid

(22) **Filed:** **Dec. 9, 2002**

(74) *Attorney, Agent, or Firm*—St. Onge Steward Johnston & Reens LLC

(30) **Foreign Application Priority Data**

Jun. 7, 2002 (DE) 4 02 04 807

(57) **CLAIM**

(51) **LOC (7) Cl.** **24-02**

The ornamental design for a handle for medical instruments, as shown and described.

(52) **U.S. Cl.** **D24/133**

(58) **Field of Search** D24/133; 606/1, 606/53, 79; D8/107, 82, 83, 300; 81/52, 177.1

DESCRIPTION

(56) **References Cited**

FIG. 1 is a front perspective view of a handle for medical instruments, showing my new design; FIG. 2 is a rear perspective view thereof; FIG. 3 is a side elevational view thereof; FIG. 4 is a top plan view thereof; FIG. 5 is a bottom plan view thereof; FIG. 6 is a front elevational view thereof; FIG. 7 is a rear elevational view thereof; and, FIG. 8 is an exploded isometric view thereof.

U.S. PATENT DOCUMENTS

1,116,099 A 11/1914 Morse
3,894,336 A 7/1975 Desimone
4,961,742 A 10/1990 Torre
D393,318 S * 4/1998 Wolter D24/133
D418,035 S * 12/1999 Hatch D8/83
D422,359 S * 4/2000 Fitch et al. D24/137
D445,658 S * 7/2001 Dierolf D8/83
D458,679 S * 6/2002 Thompson et al. D24/133

1 Claim, 3 Drawing Sheets

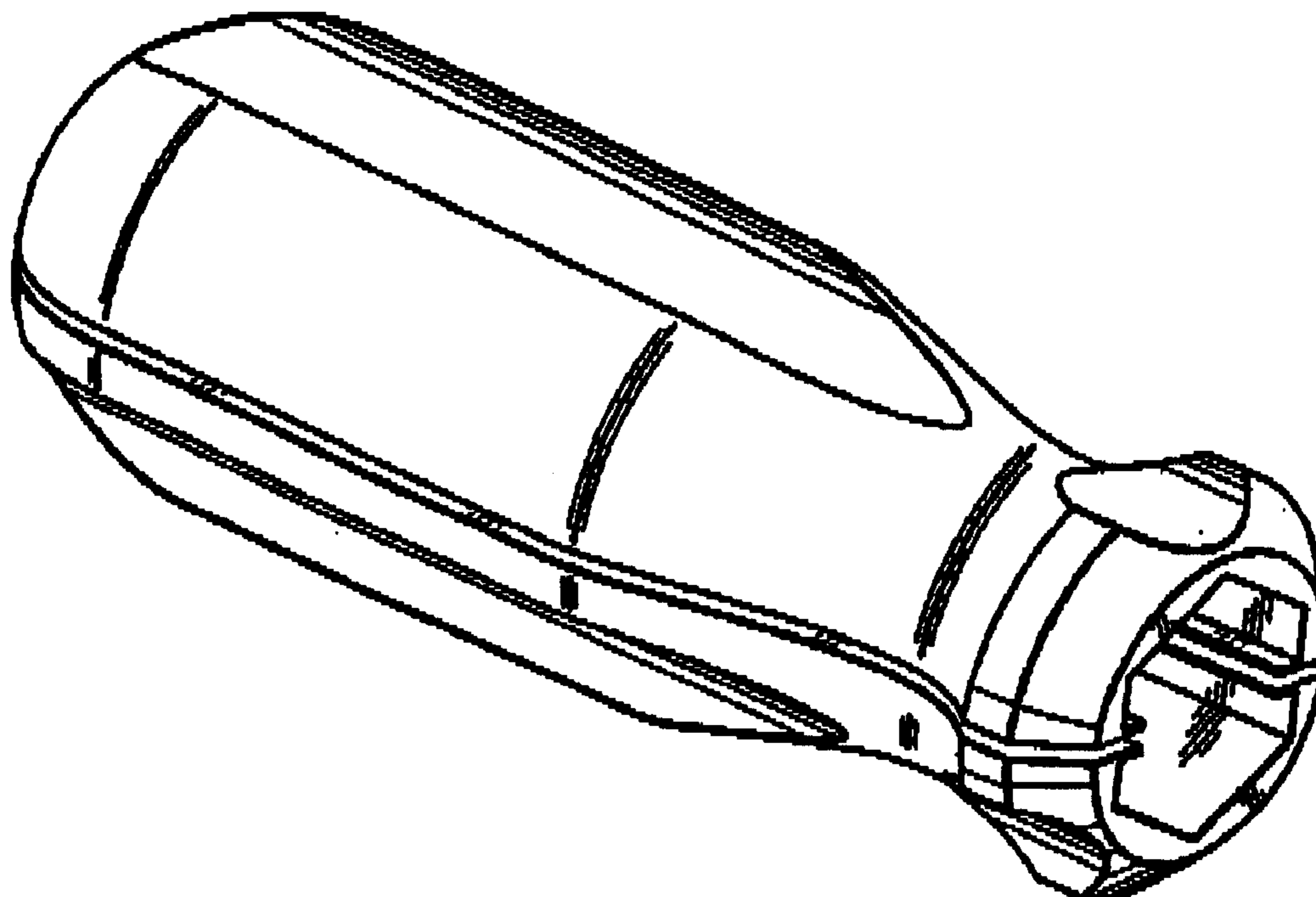


Fig. 1

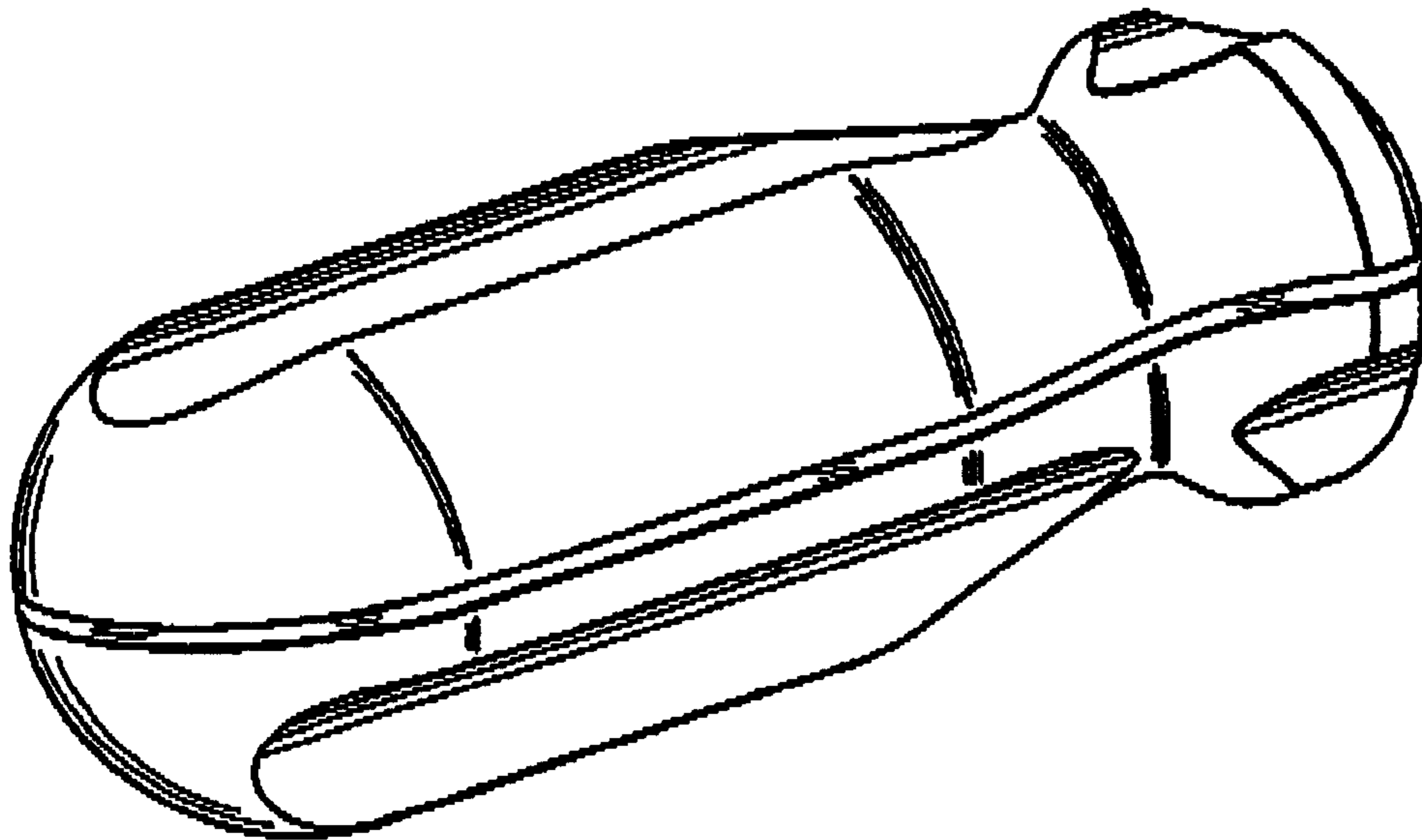
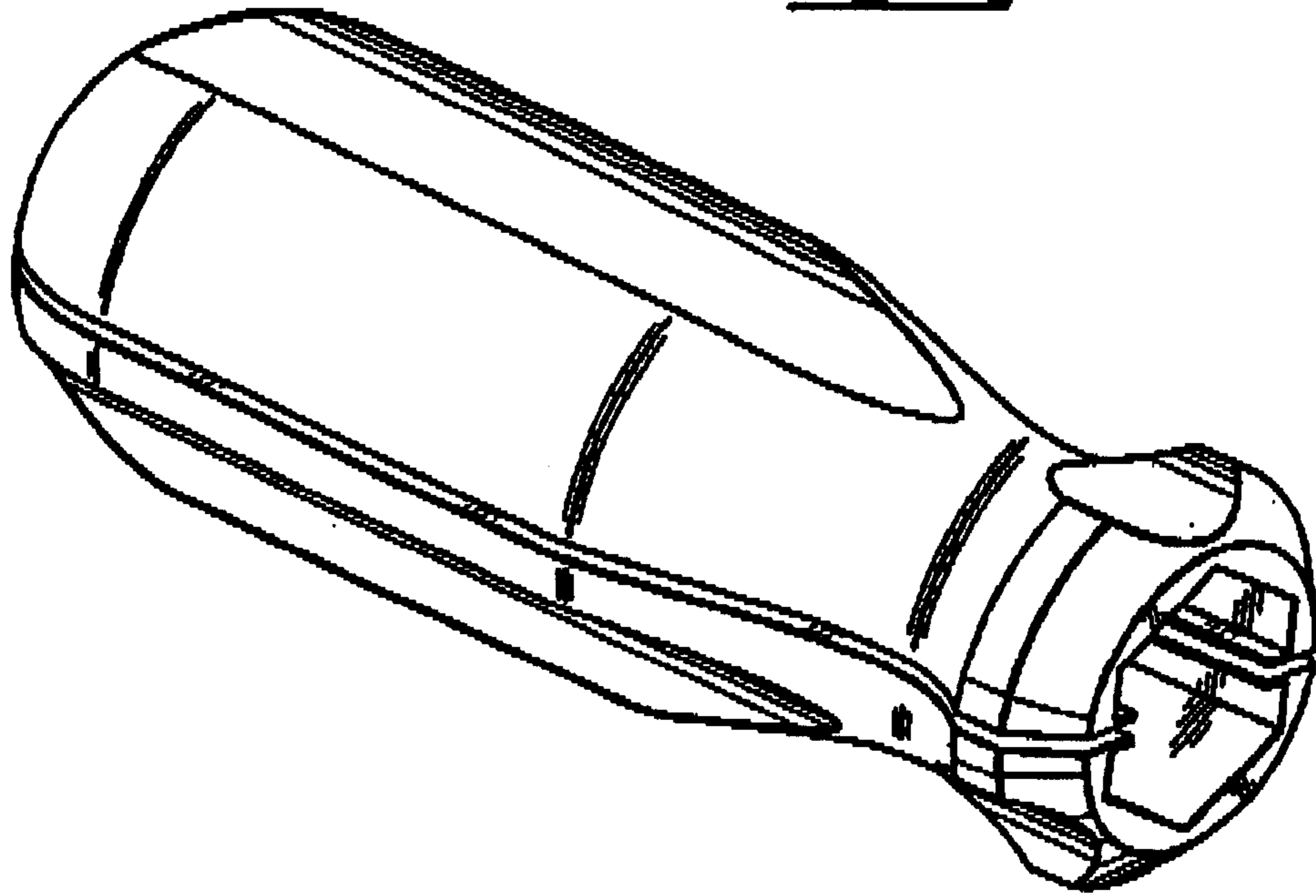


Fig. 2

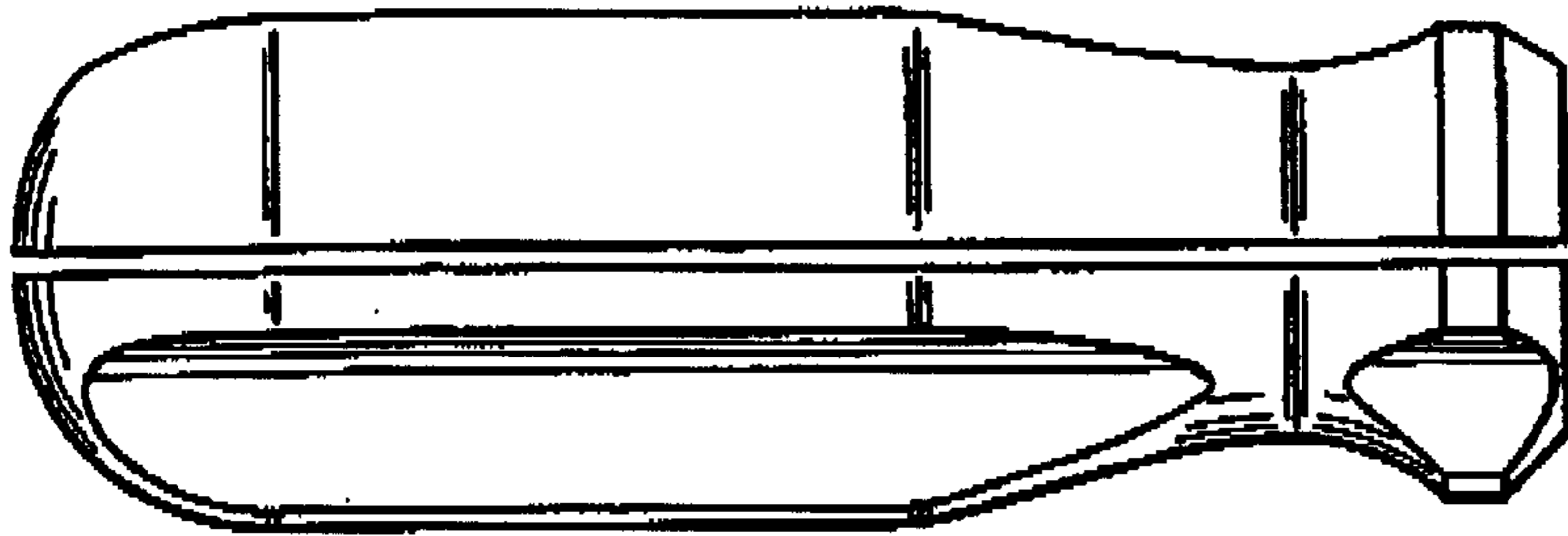


Fig. 3

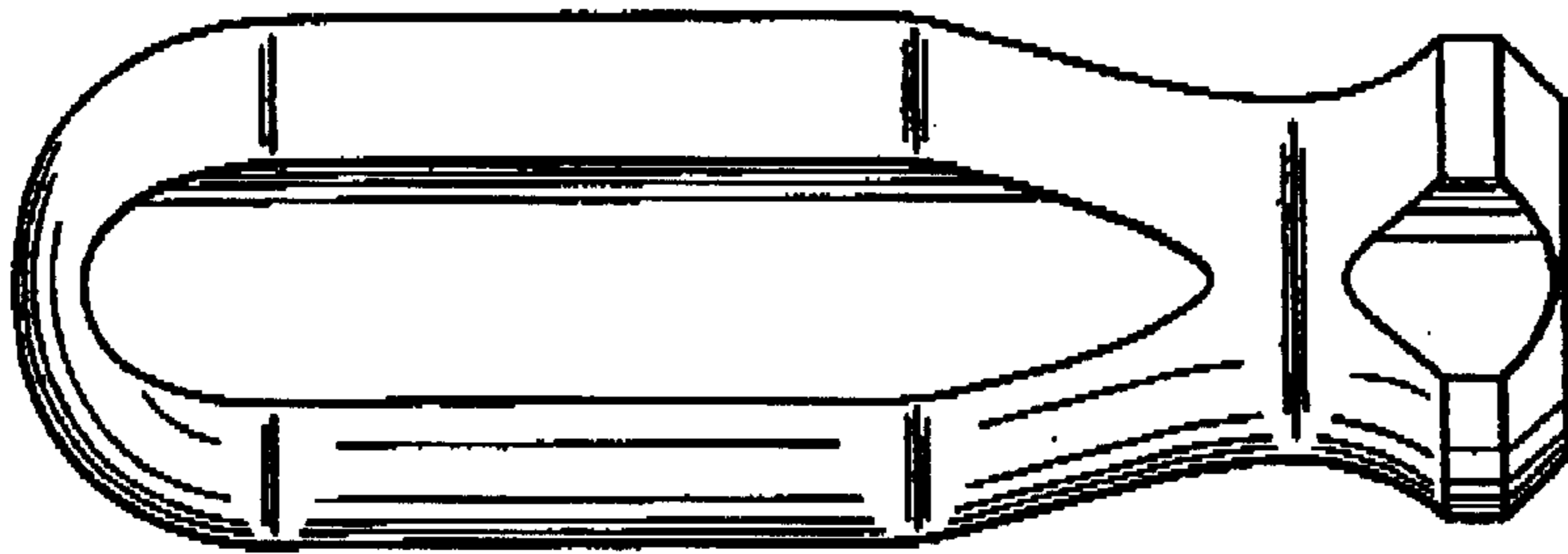


Fig. 4

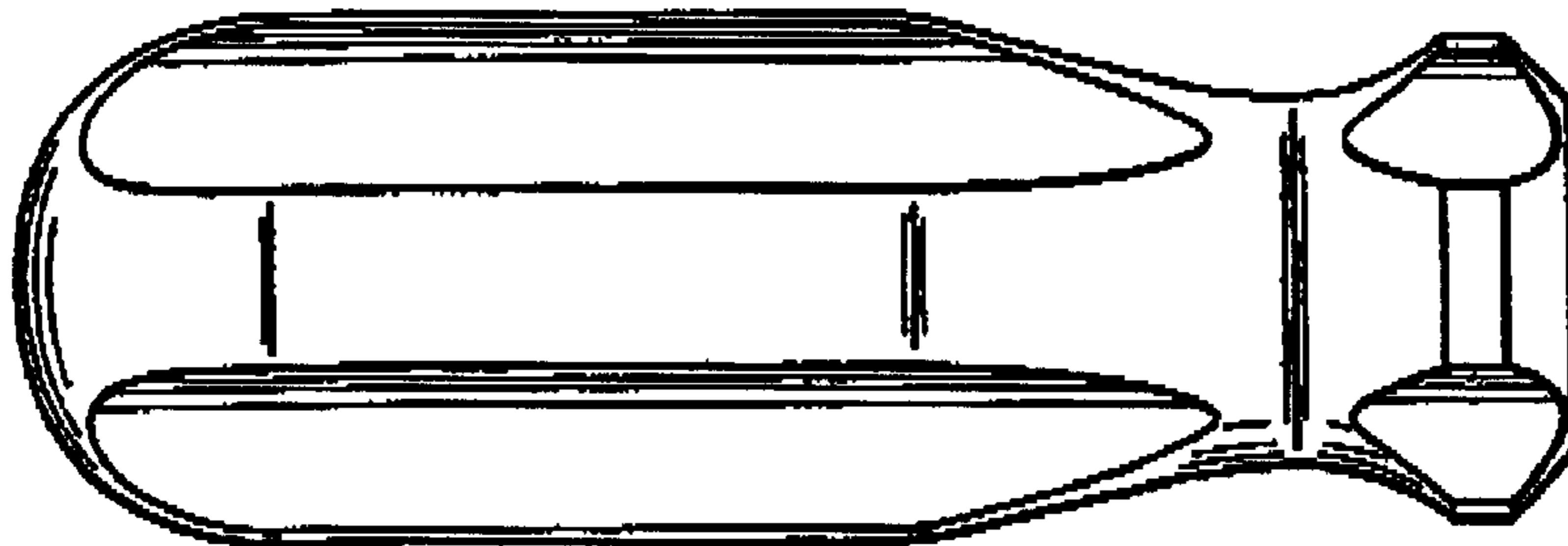


Fig. 5

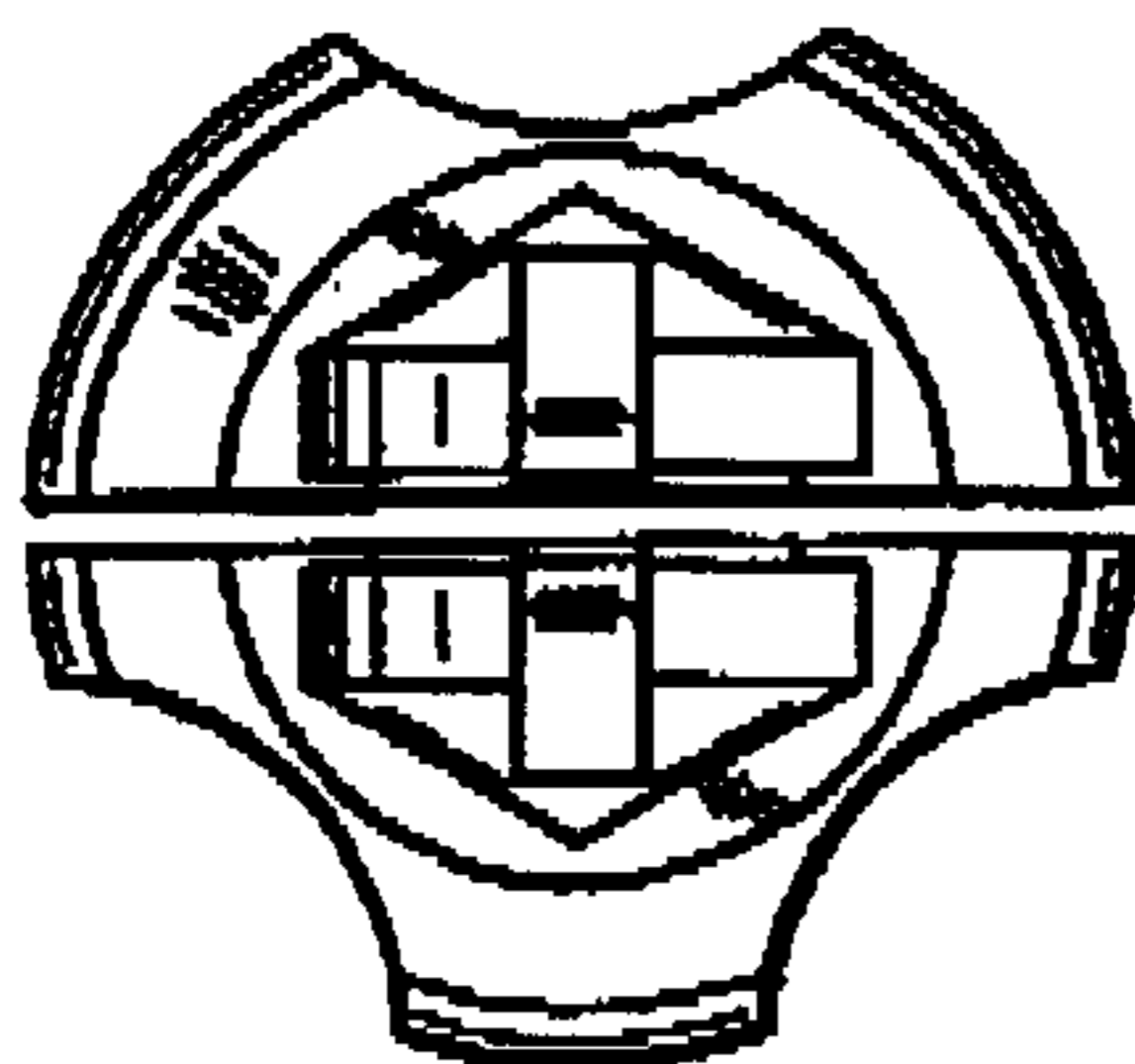


Fig. 6

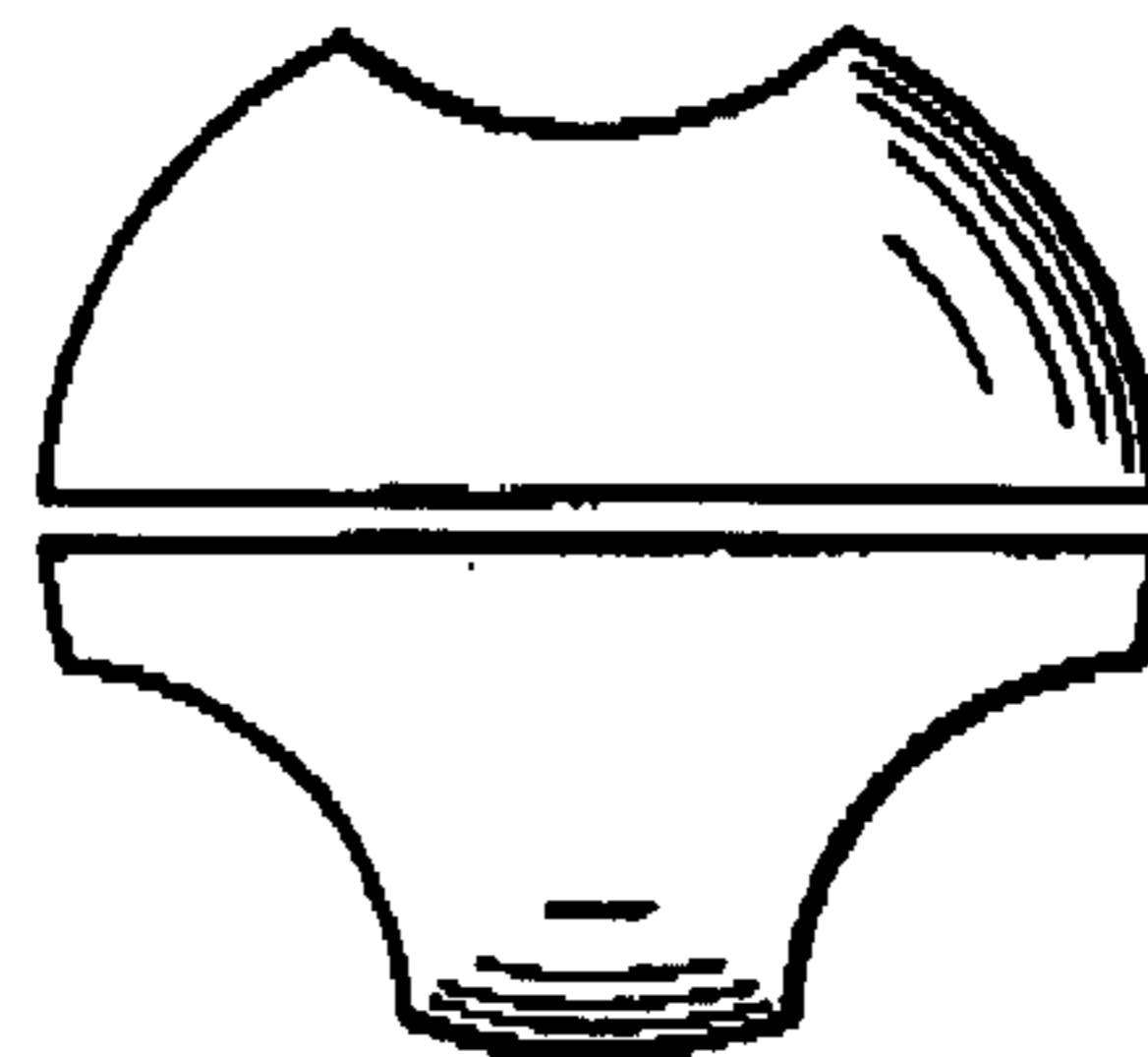


Fig. 7

Fig. 8

