



US00D493526S1

(12) **United States Design Patent**
Hwang

(10) **Patent No.:** **US D493,526 S**
(45) **Date of Patent:** **** Jul. 27, 2004**

(54) **SYRINGE TIP CAP**

(75) Inventor: **Charles G. Hwang**, Ridgewood, NJ
(US)

(73) Assignee: **Becton, Dickinson and Company**,
Franklin Lakes, NJ (US)

(**) Term: **14 Years**

(21) Appl. No.: **29/180,313**

(22) Filed: **Apr. 22, 2003**

(51) **LOC (7) Cl.** **24-02**

(52) **U.S. Cl.** **D24/130**

(58) **Field of Search** D24/130, 129,
D24/112; 604/263, 192, 198, 187, 411,
414; 600/576, 577

(56) **References Cited**

U.S. PATENT DOCUMENTS

- D332,490 S * 1/1993 Brown et al. D24/130
- D431,864 S * 10/2000 Jansen D24/130
- D447,799 S * 9/2001 Jun D24/130

- D457,954 S * 5/2002 Wallace et al. D24/130
- 6,491,667 B1 * 12/2002 Keane et al. 604/187
- 6,632,199 B1 * 10/2003 Tucker et al. 604/192

* cited by examiner

Primary Examiner—Ian Simmons

(74) *Attorney, Agent, or Firm*—Hoffmann & Baron, LLP

(57) **CLAIM**

The ornamental design for a syringe tip cap, as shown and described.

DESCRIPTION

FIG. 1 is a front perspective view of a syringe tip cap showing my new design;

FIG. 2 is a front elevational view thereof;

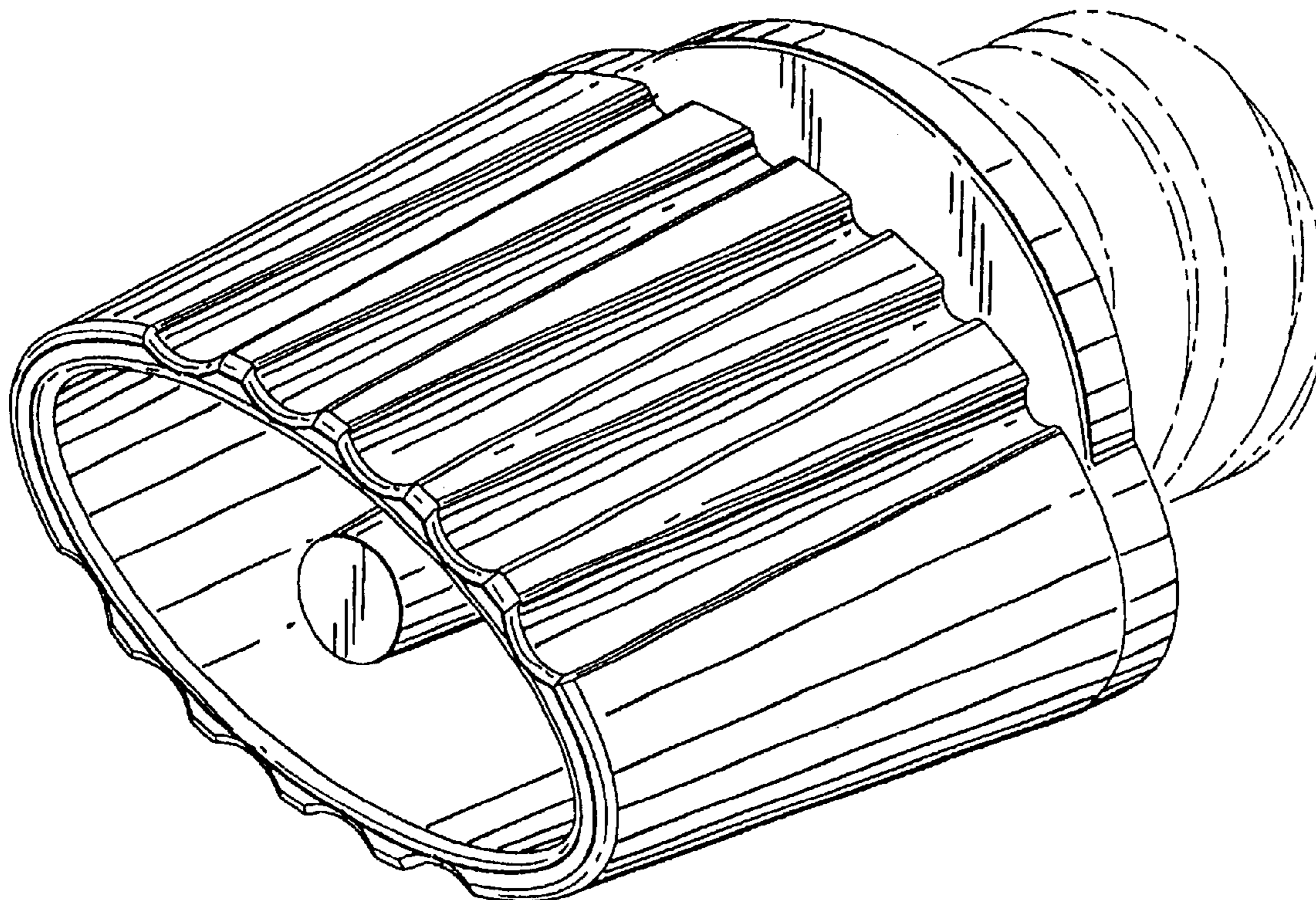
FIG. 3 is a right elevational view thereof, the left elevational view being a mirror image of the right elevational view;

FIG. 4 is a top plan view thereof; and,

FIG. 5 is a bottom plan view thereof.

The broken line showings of FIGS. 1–5 are for illustrative purposes only and form no part of the claimed design.

1 Claim, 3 Drawing Sheets



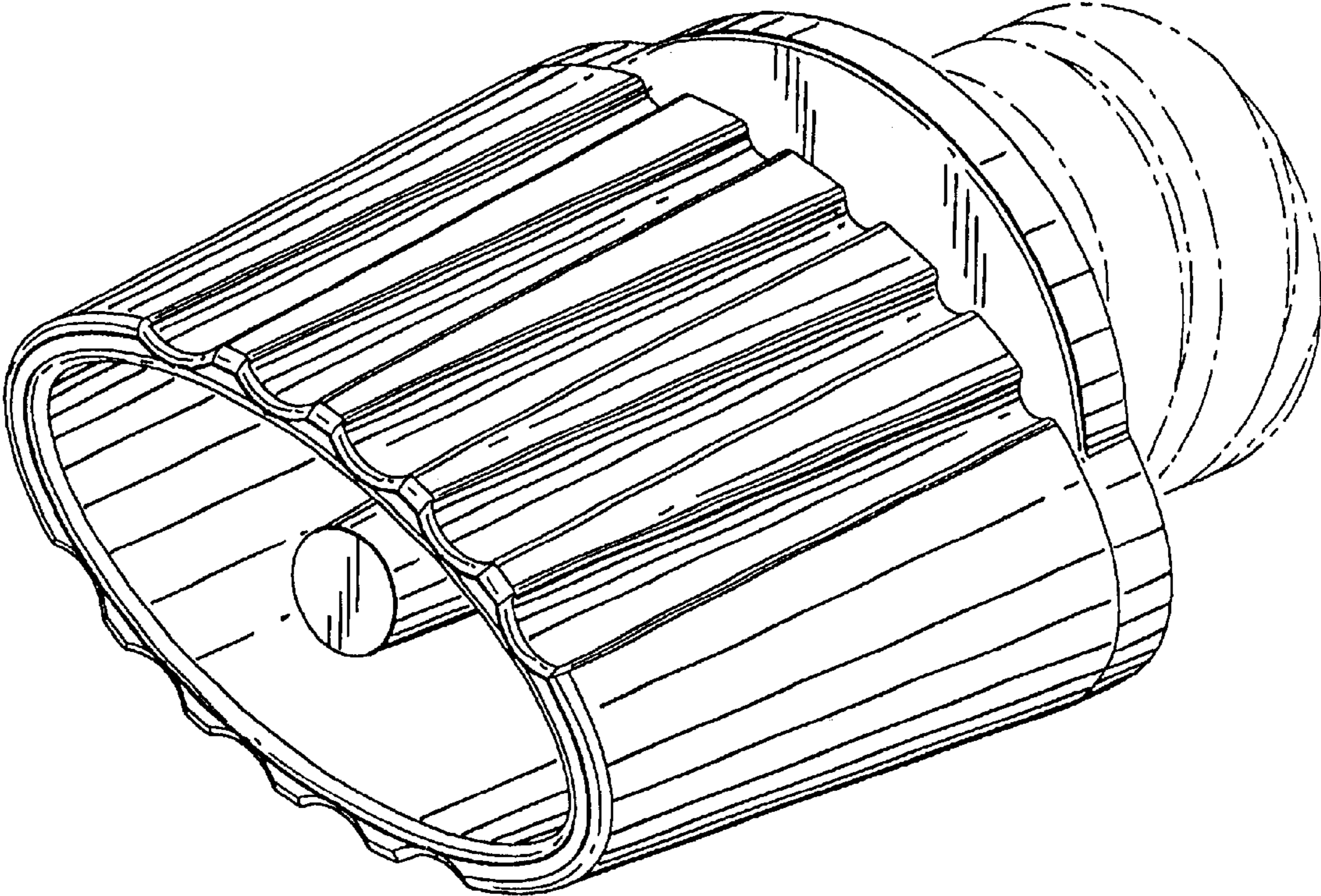


FIG. 1

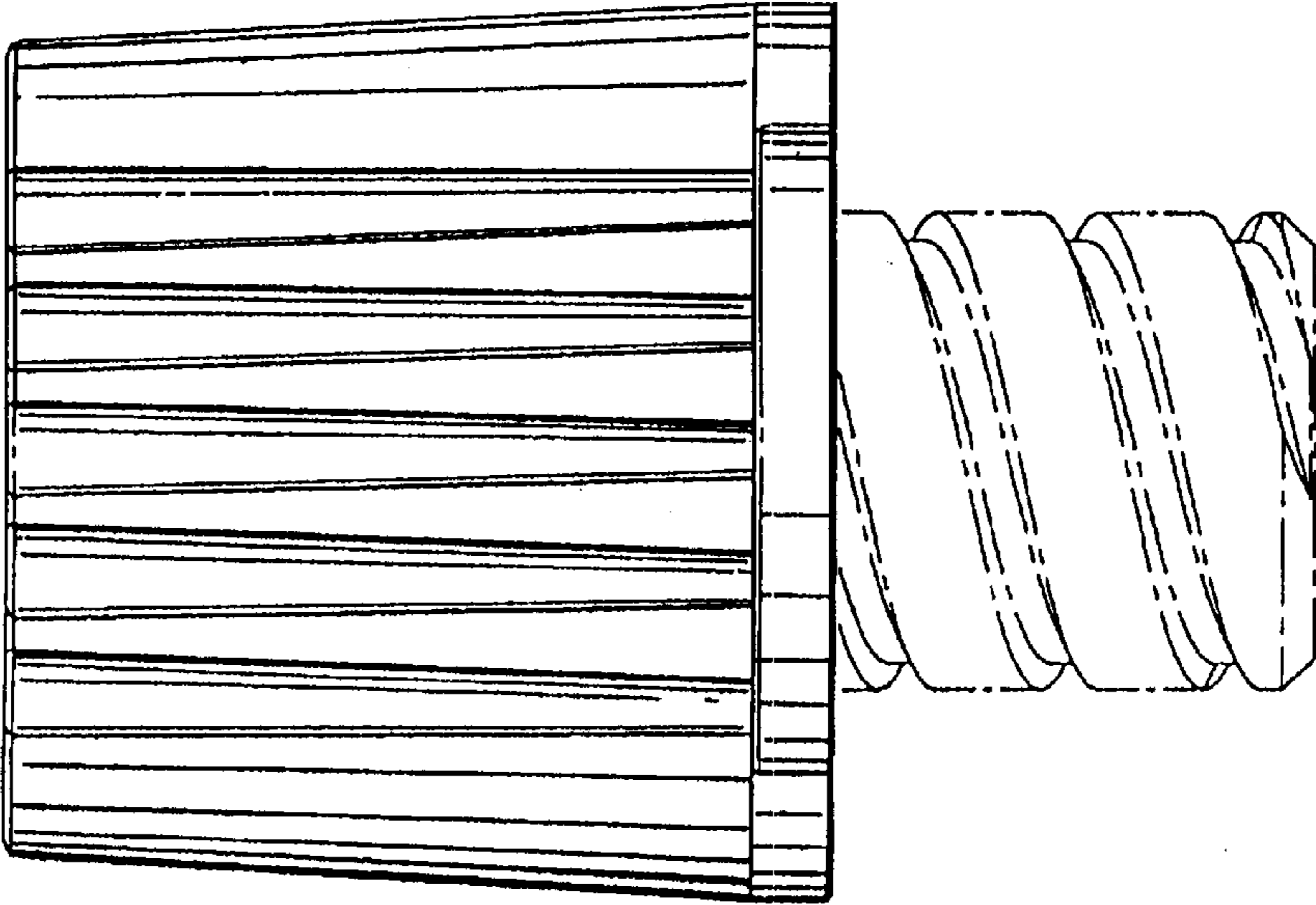


FIG. 2

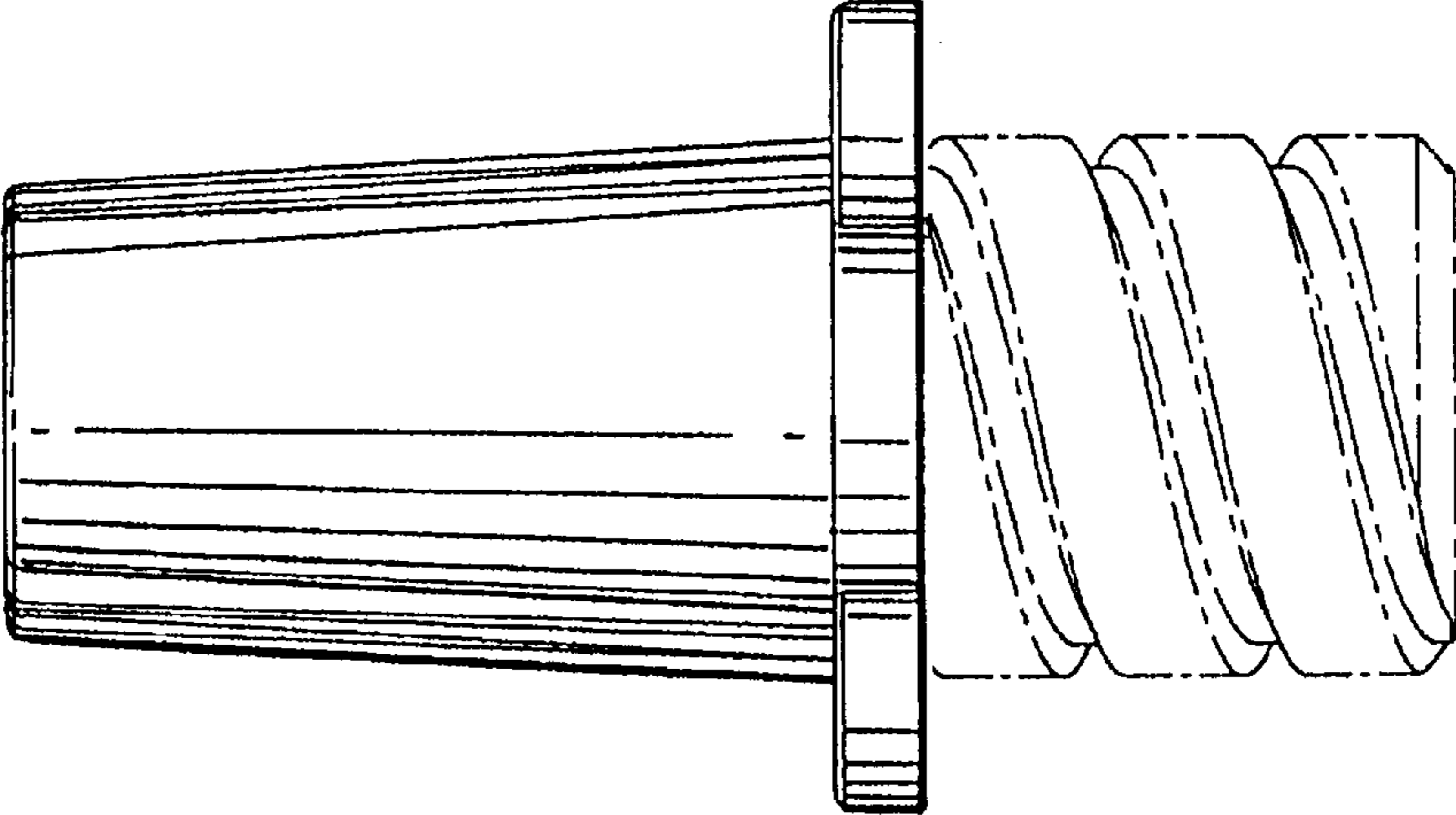


FIG. 3

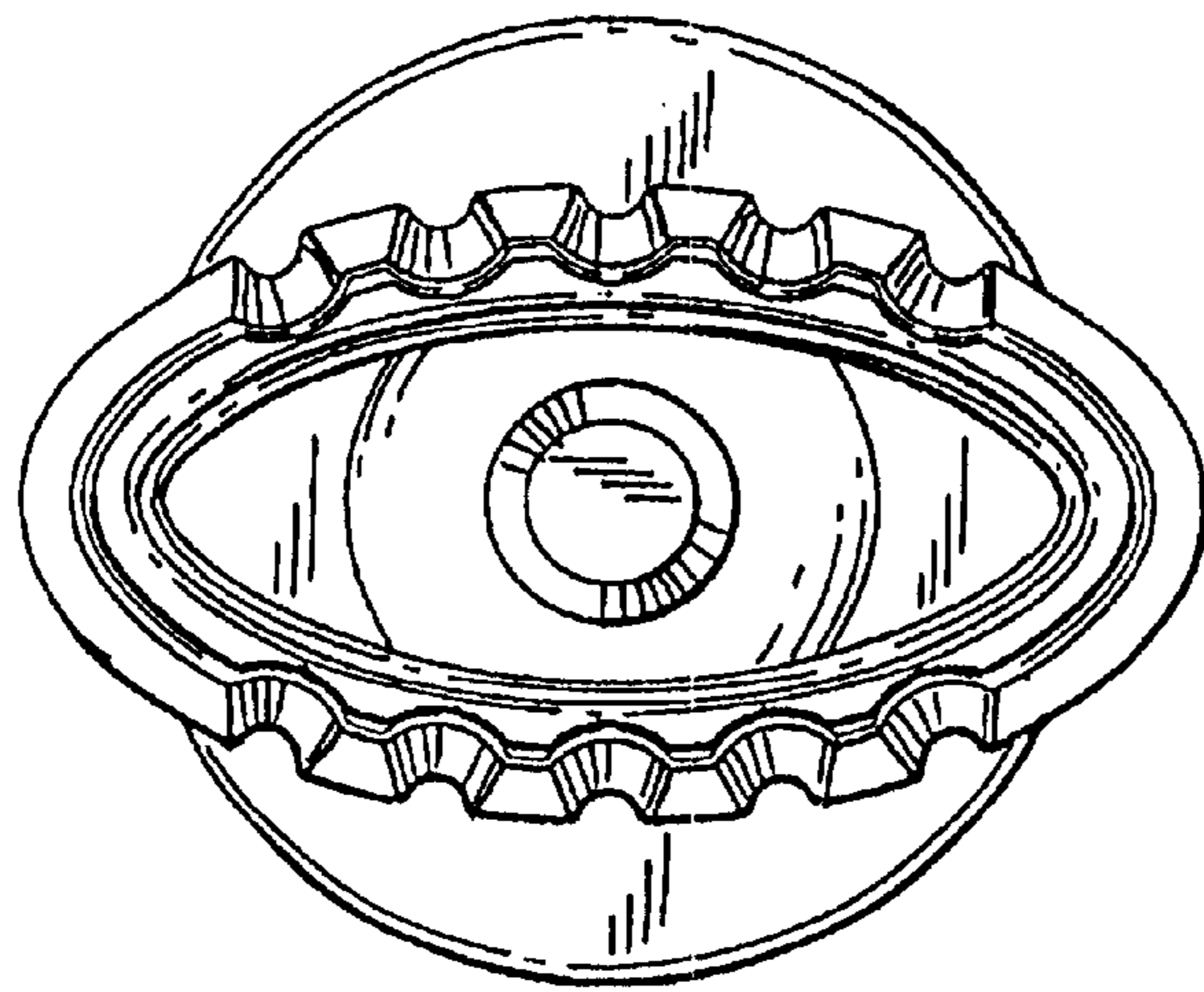


FIG. 4

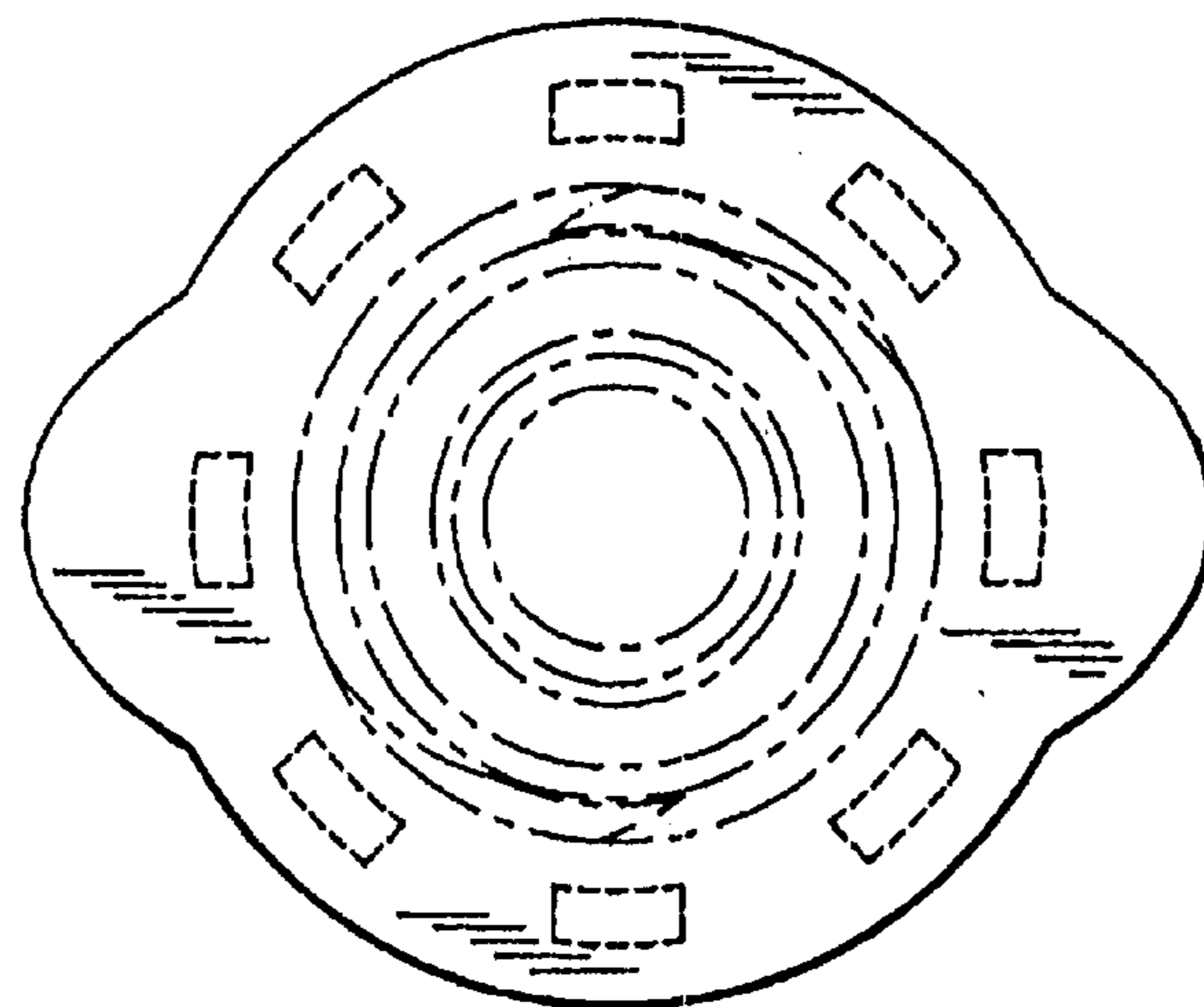


FIG. 5