

US00D493524S1

(12) **United States Design Patent**  
**Hawley et al.**

(10) **Patent No.:** **US D493,524 S**  
(45) **Date of Patent:** **\*\* Jul. 27, 2004**

(54) **MEDICAL DEVICE FOR INJECTING FLUID  
MEDICAMENTS**

(75) Inventors: **Miles Hawley**, London (GB); **Stephens  
Sayers**, Buckinghamshire (GB)

(73) Assignee: **Aventis Pharma Deutschland GmbH**

(\*\*) Term: **14 Years**

(21) Appl. No.: **29/166,996**

(22) Filed: **Sep. 9, 2002**

(30) **Foreign Application Priority Data**

Mar. 9, 2002 (DE) ..... 4 02 02 271

(51) **LOC (7) Cl.** ..... **24-02**

(52) **U.S. Cl.** ..... **D24/114; D19/43; D24/112;  
D24/113**

(58) **Field of Search** ..... D24/114, 112,  
D24/113; D19/51, 43, 56, 55; 604/157,  
207, 208, 218, 187, 211, 232

(56) **References Cited**

**U.S. PATENT DOCUMENTS**

- D368,961 S 4/1996 Himbert et al.
- 5,728,074 A \* 3/1998 Castellano et al. .... 604/207
- D407,487 S \* 3/1999 Greubel et al. .... D24/112
- D418,163 S 12/1999 Rosen
- 6,001,089 A 12/1999 Burroughs et al.
- D426,299 S 6/2000 Bydlon et al.
- 6,192,891 B1 \* 2/2001 Gravel et al. .... 604/187

- 6,048,336 A1 4/2001 Gabriel
- 6,221,046 B1 4/2001 Burroughs et al.
- 6,277,099 B1 \* 8/2001 Strowe et al. .... 604/207
- D453,569 S \* 2/2002 Himbert ..... D24/112
- D460,484 S \* 7/2002 Bianco, Jr. .... D19/43
- 6,419,661 B1 7/2002 Kuhr et al.
- D462,760 S 9/2002 Ahlgrim et al.
- D473,590 S 4/2003 Mittersinker

\* cited by examiner

*Primary Examiner*—Ian Simmons

(74) *Attorney, Agent, or Firm*—Finnegan, Henderson,  
Farabow, Garrett & Dunner, LLP

(57) **CLAIM**

The ornamental design for the medical device for injecting  
fluid medicaments, as shown and described.

**DESCRIPTION**

FIG. 1 is a right-side view of a medical device for injecting  
fluid medicaments of our new design, the left-side view  
being a mirror image thereof;

FIG. 2 is a right-side view of our new design, with an end  
cap removed, the portion of the device shown in dashed lines  
forming no part of the claimed design;

FIG. 3 is a front view of our new design;

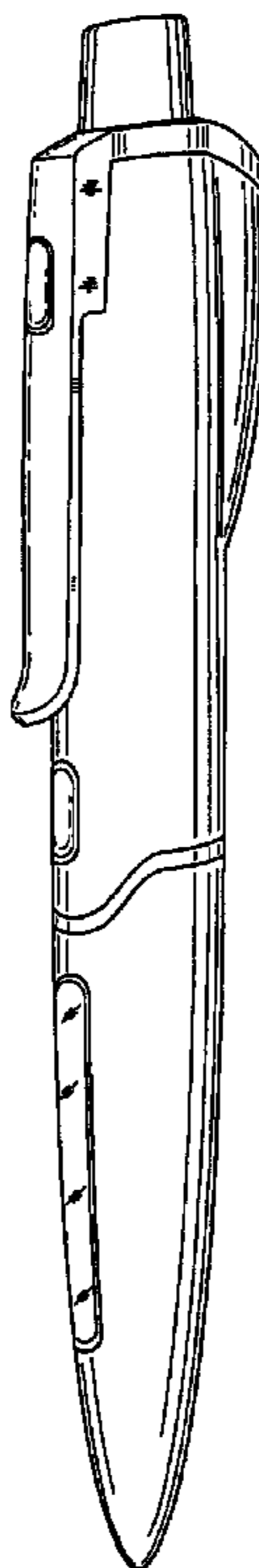
FIG. 4 is a rear view of our new design;

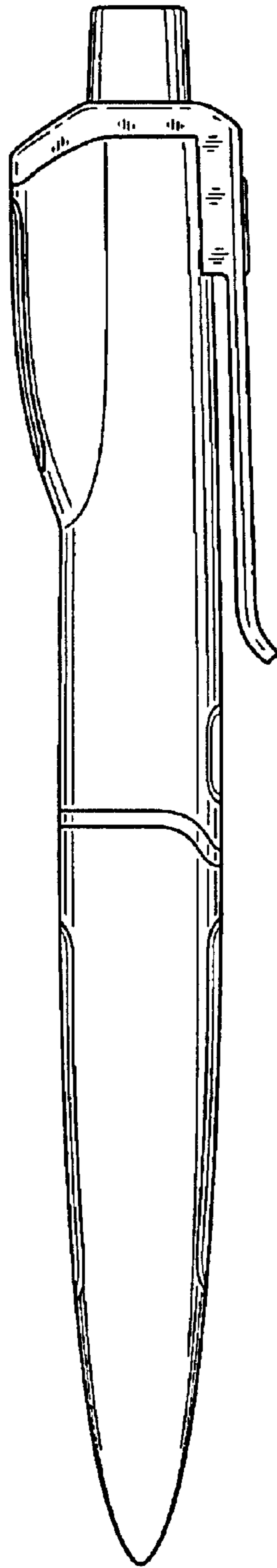
FIG. 5 is a left front-perspective view of our new design;

FIG. 6 is a top view of our new design; and,

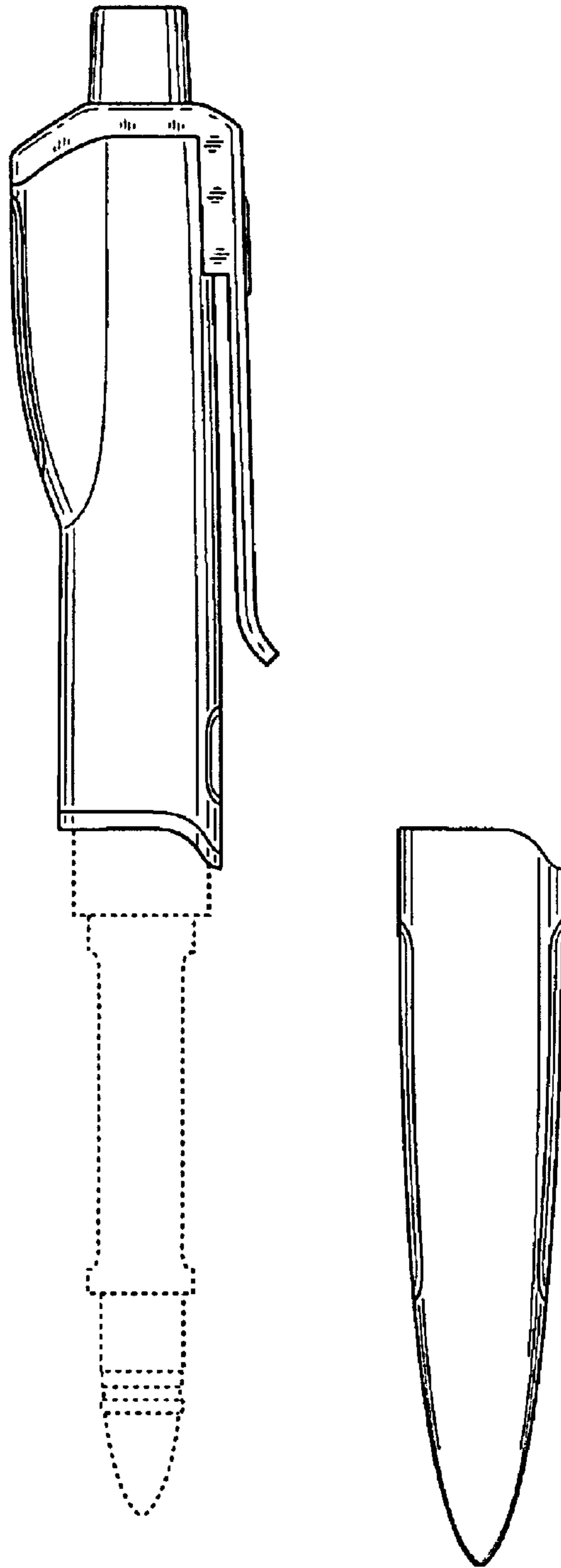
FIG. 7 is a bottom view of our new design.

**1 Claim, 6 Drawing Sheets**

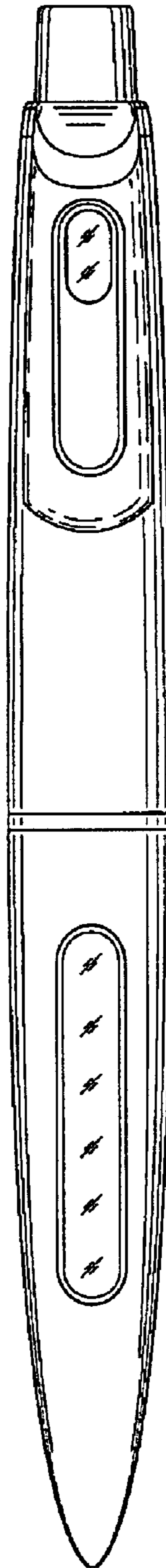




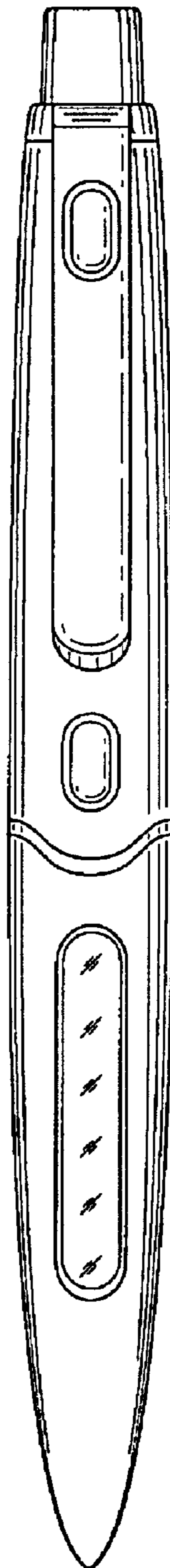
**FIG. 1**



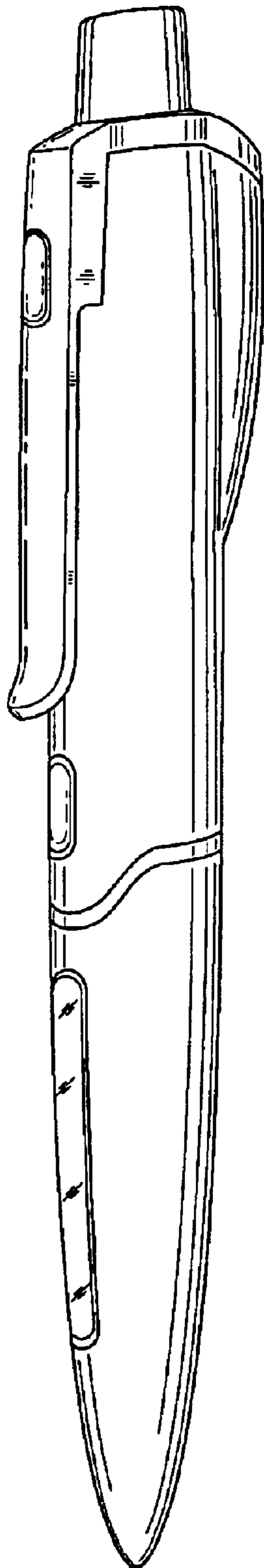
**FIG. 2**



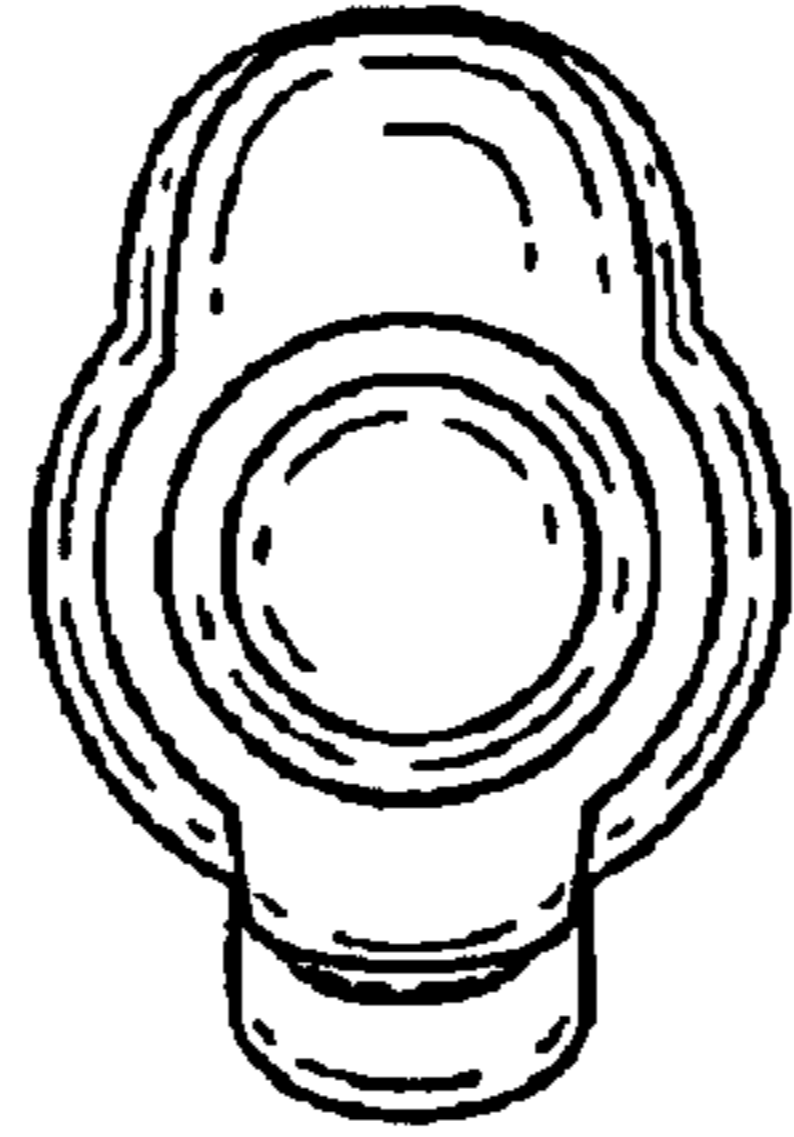
**FIG. 3**



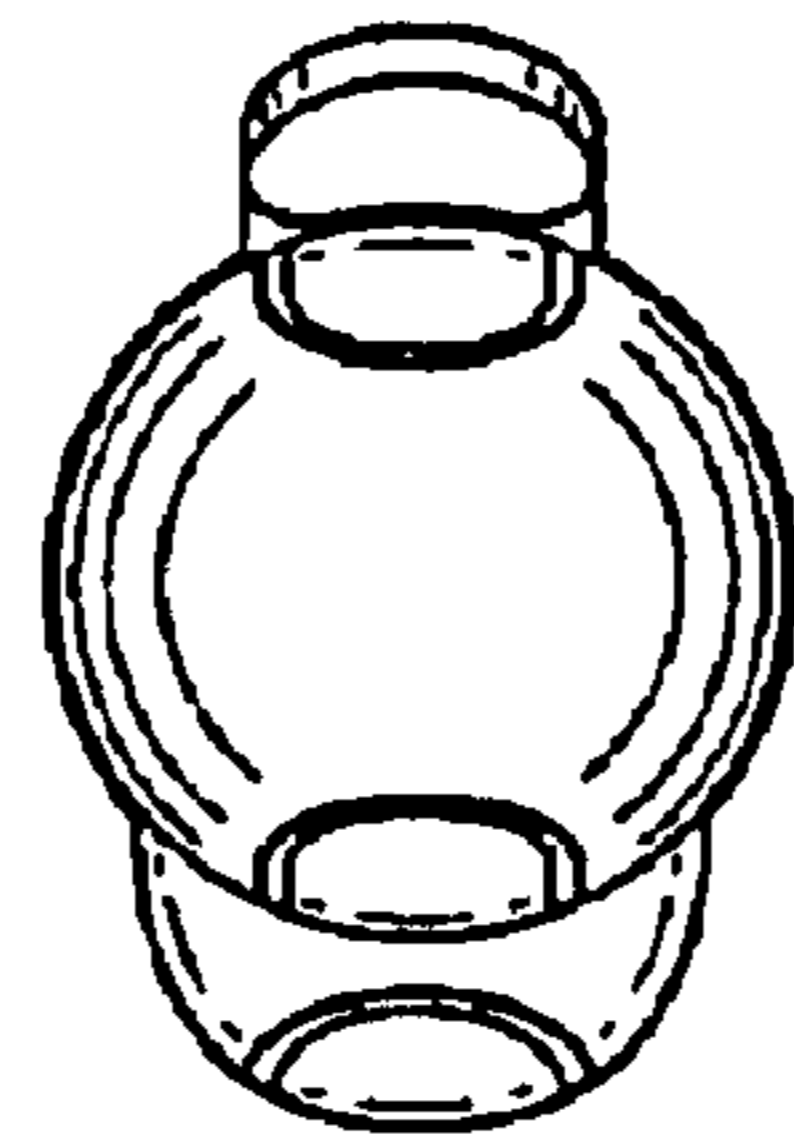
**FIG. 4**



**FIG. 5**



**FIG. 6**



**FIG. 7**