



US00D493523S1

(12) **United States Design Patent** (10) **Patent No.:** **US D493,523 S**  
**Barnett et al.** (45) **Date of Patent:** **\*\* Jul. 27, 2004**

(54) **NASAL MASK SEAL**  
(75) **Inventors:** **Shari S. Barnett**, Pittsburgh, PA (US);  
**Joseph M. Miceli, Jr.**, Pittsburgh, PA (US)  
(73) **Assignee:** **Respironics, Inc.**, Murrysville, PA (US)  
(\*\*) **Term:** **14 Years**

5,492,116 A 2/1996 Scarberry et al.  
5,540,223 A 7/1996 Starr et al.  
5,542,128 A 8/1996 Lomas  
5,560,354 A 10/1996 Berthon-Jones et al.  
5,570,689 A 11/1996 Starr et al.  
5,647,357 A 7/1997 Barnett et al.  
5,657,752 A 8/1997 Landis et al.  
5,662,101 A 9/1997 Ogden et al.  
D389,238 S 1/1998 Kirk, III et al.  
5,724,965 A 3/1998 Handke et al.

(21) **Appl. No.:** **29/145,358**  
(22) **Filed:** **Jul. 20, 2001**

(List continued on next page.)

**Related U.S. Application Data**

(62) Division of application No. 29/109,078, filed on Aug. 10, 1999, now Pat. No. Des. 448,473.  
(51) **LOC (7) Cl.** ..... **29-02**  
(52) **U.S. Cl.** ..... **D24/110.4; D24/110.1**  
(58) **Field of Search** ..... **D24/110.1, 110.4, D24/110.5; 128/207.13, 206.26, 205.25, 206.21, 206.18, 206.19, 206.24**

**FOREIGN PATENT DOCUMENTS**

WO WO 98/04310 2/1998

*Primary Examiner*—Ian Simmons  
(74) *Attorney, Agent, or Firm*—Michael W. Haas

(57) **CLAIM**

The ornamental design for a nasal mask seal, as shown and described.

**DESCRIPTION**

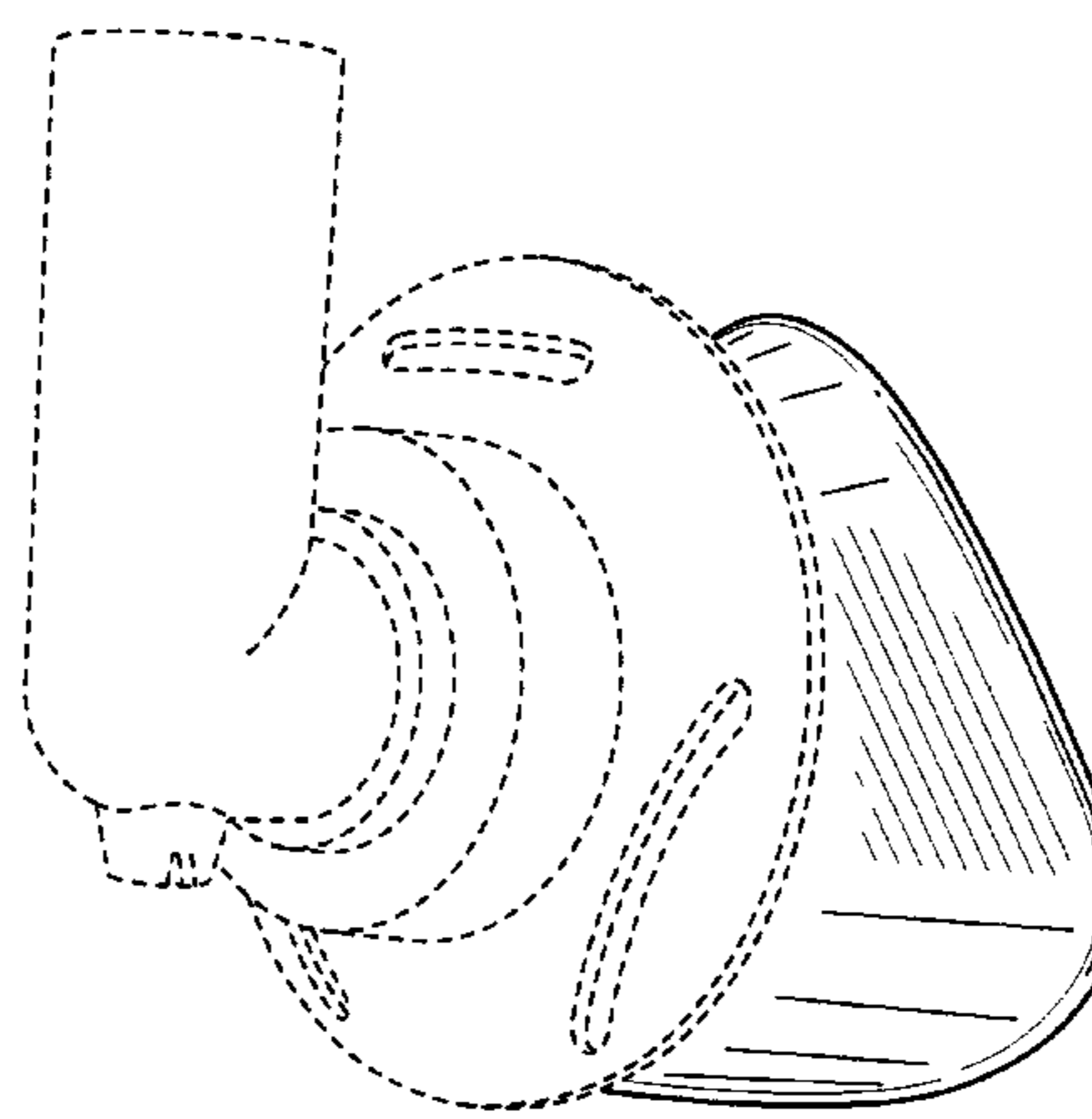
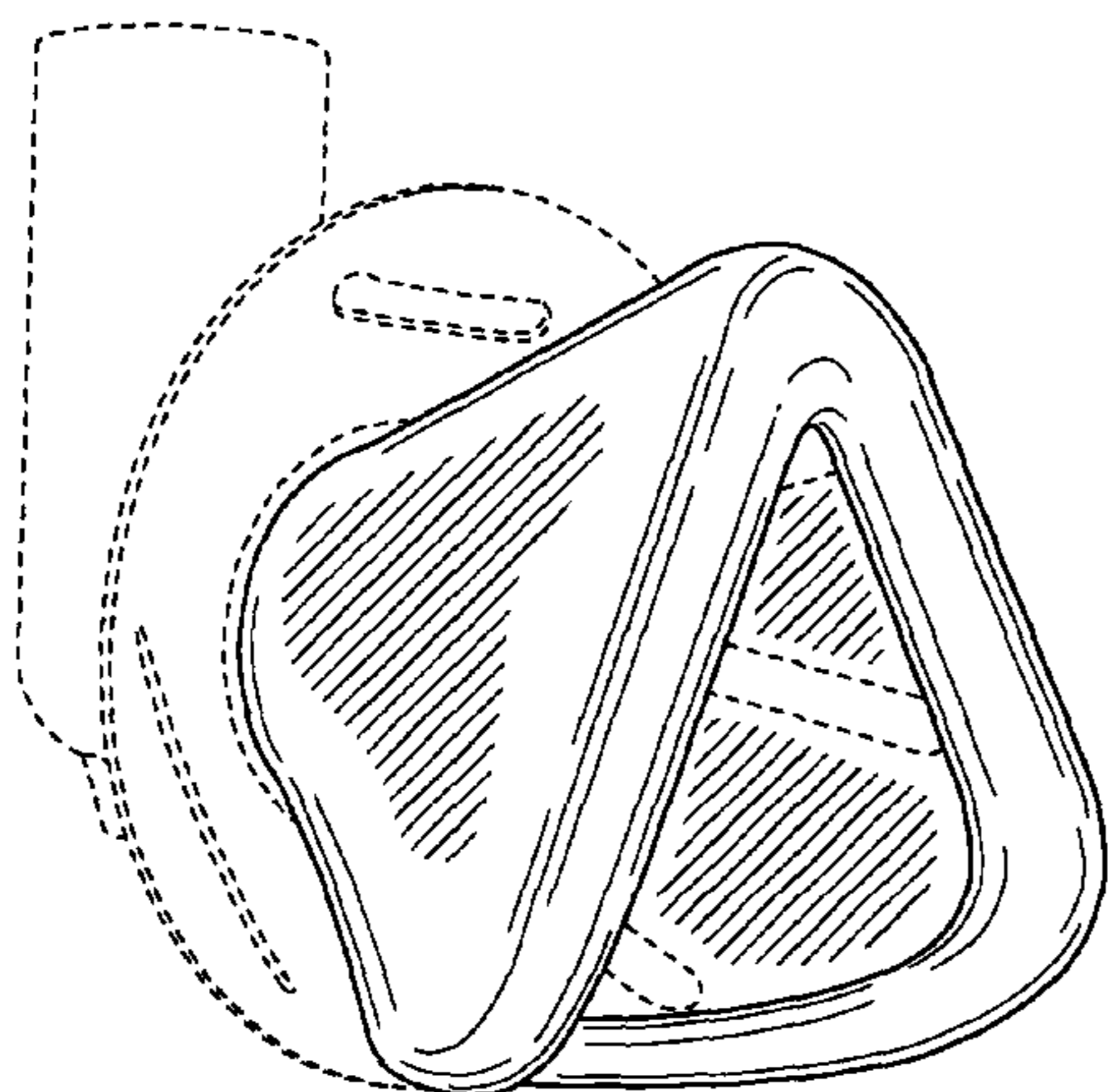
FIG. 1 is a perspective view of a nasal mask seal in accordance with our new design.  
FIG. 2 is an additional perspective view of a nasal mask seal in accordance with our new design.  
FIG. 3 is a back view of the nasal mask seal shown in FIG. 1.  
FIG. 4 is an additional back view of the nasal mask seal shown in FIG. 1.  
FIG. 5 is a front view of the nasal mask seal shown in FIG. 1.  
FIG. 6 is a side view of the nasal mask seal shown in FIG. 1. The opposite side is similar and not separately illustrated herein.  
FIG. 7 is a top view of the nasal mask seal shown in FIG. 1; and,  
FIG. 8 is a bottom view of the nasal mask seal shown in FIG. 1.  
The portions drawn in broken lines are shown for illustrative purposes only and do not form part of the claimed design.

(56) **References Cited**

**U.S. PATENT DOCUMENTS**

2,011,733 A 8/1935 Shindel  
2,104,016 A 1/1938 Biggs  
2,254,854 A 9/1941 O'Connell  
2,317,608 A 4/1943 Heidbrink  
2,749,910 A 6/1956 Faulconer, Jr.  
2,931,356 A 4/1960 Schwarz  
2,939,458 A 6/1960 Lundquist  
3,330,273 A 7/1967 Bennett  
4,167,185 A 9/1979 Lewis  
4,655,213 A 4/1987 Rapoport et al.  
4,677,977 A 7/1987 Wilcox  
4,739,755 A 4/1988 White et al.  
4,807,617 A 2/1989 Nesti  
4,907,584 A 3/1990 McGinnis  
4,944,310 A 7/1990 Sullivan  
D333,015 S 2/1993 Farmer et al.  
5,243,971 A 9/1993 Sullivan et al.  
D349,586 S 8/1994 Handke  
5,353,789 A 10/1994 Schlobohm

**1 Claim, 5 Drawing Sheets**



# US D493,523 S

Page 2

---

## U.S. PATENT DOCUMENTS

5,746,201 A	5/1998	Kidd	6,112,746 A	9/2000	Kwok et al.	
5,884,624 A	3/1999	Barnett et al.	6,182,660 B1 *	2/2001	Hopper .....	128/207.13
D412,745 S	8/1999	Scheu	6,357,441 B1 *	3/2002	Kwok et al. ....	128/207.13
5,937,851 A	8/1999	Serowski et al.	6,412,488 B1 *	7/2002	Barnett et al. ....	128/207.13
6,112,745 A	9/2000	Lang	6,651,663 B2 *	11/2003	Barnett et al. ....	128/207.13

\* cited by examiner

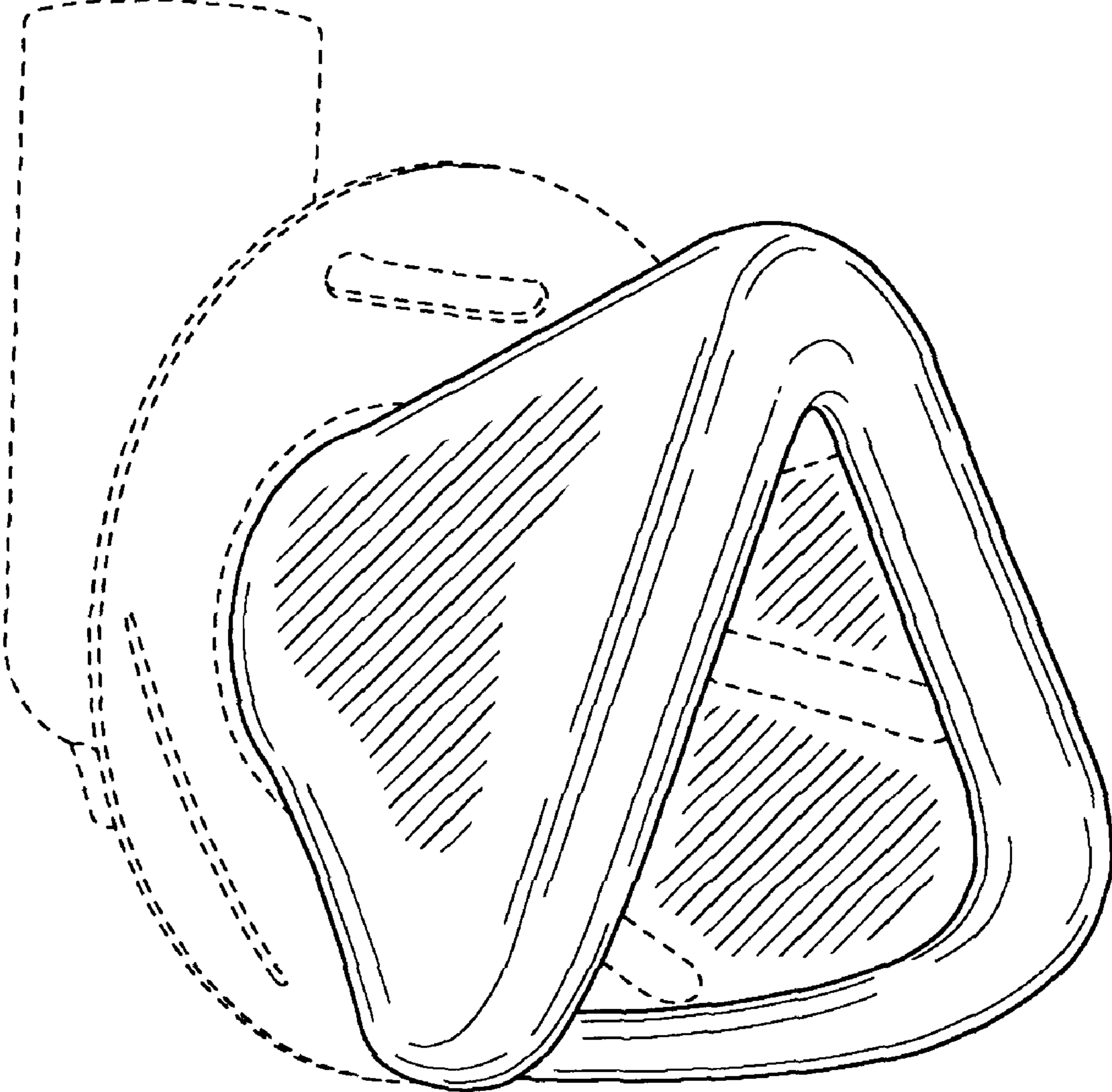


FIG. 1

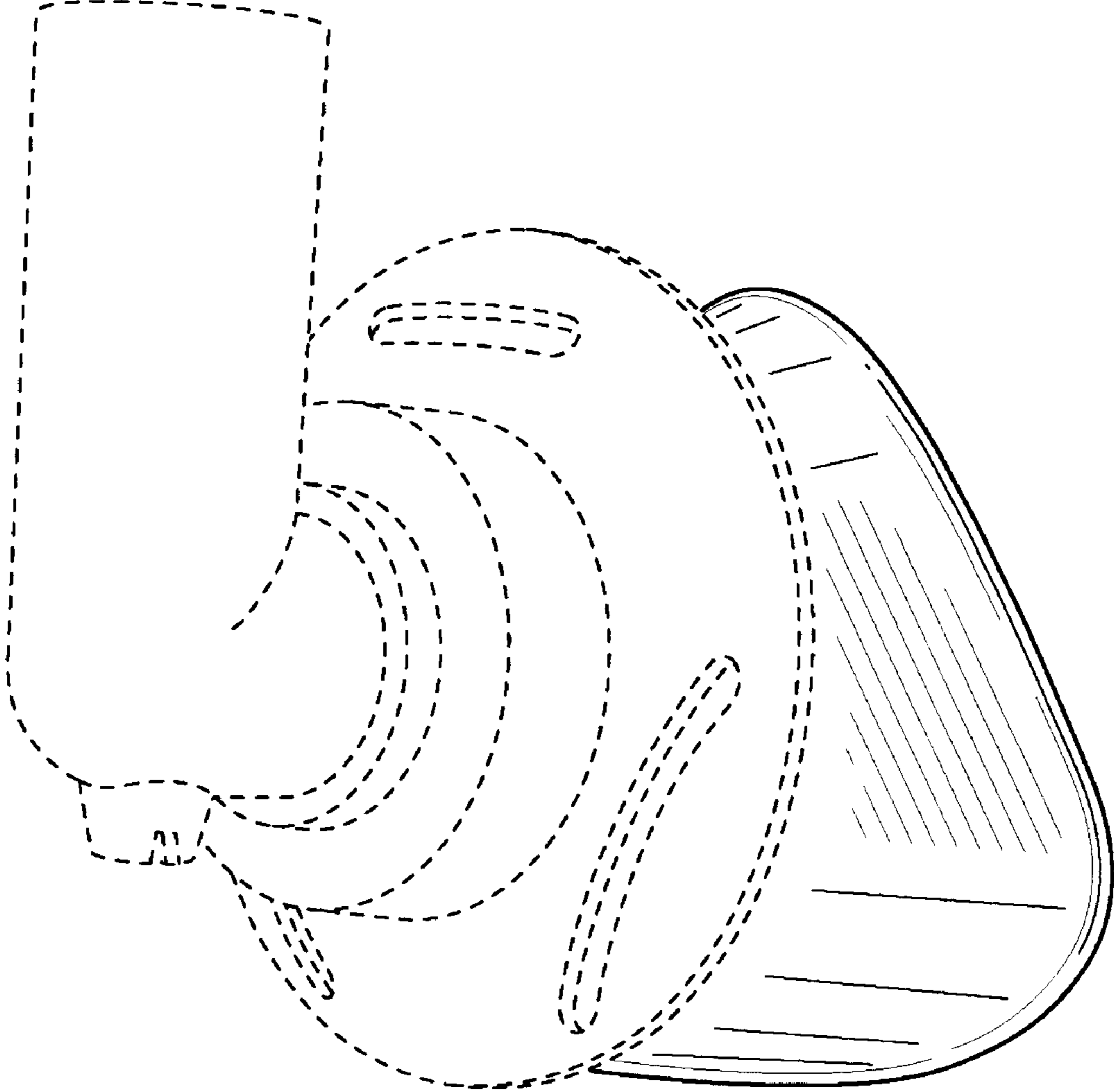


FIG. 2

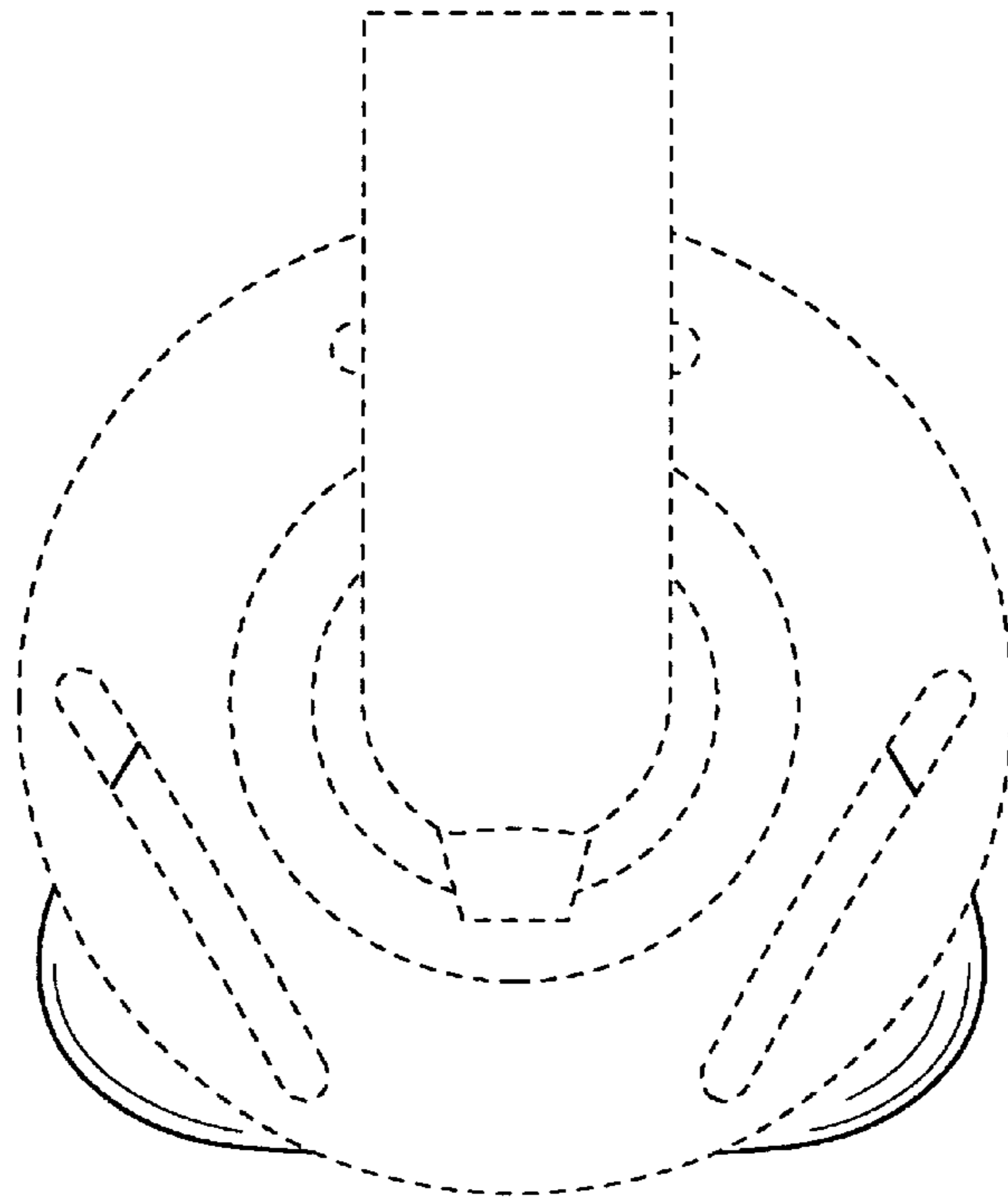


FIG. 3

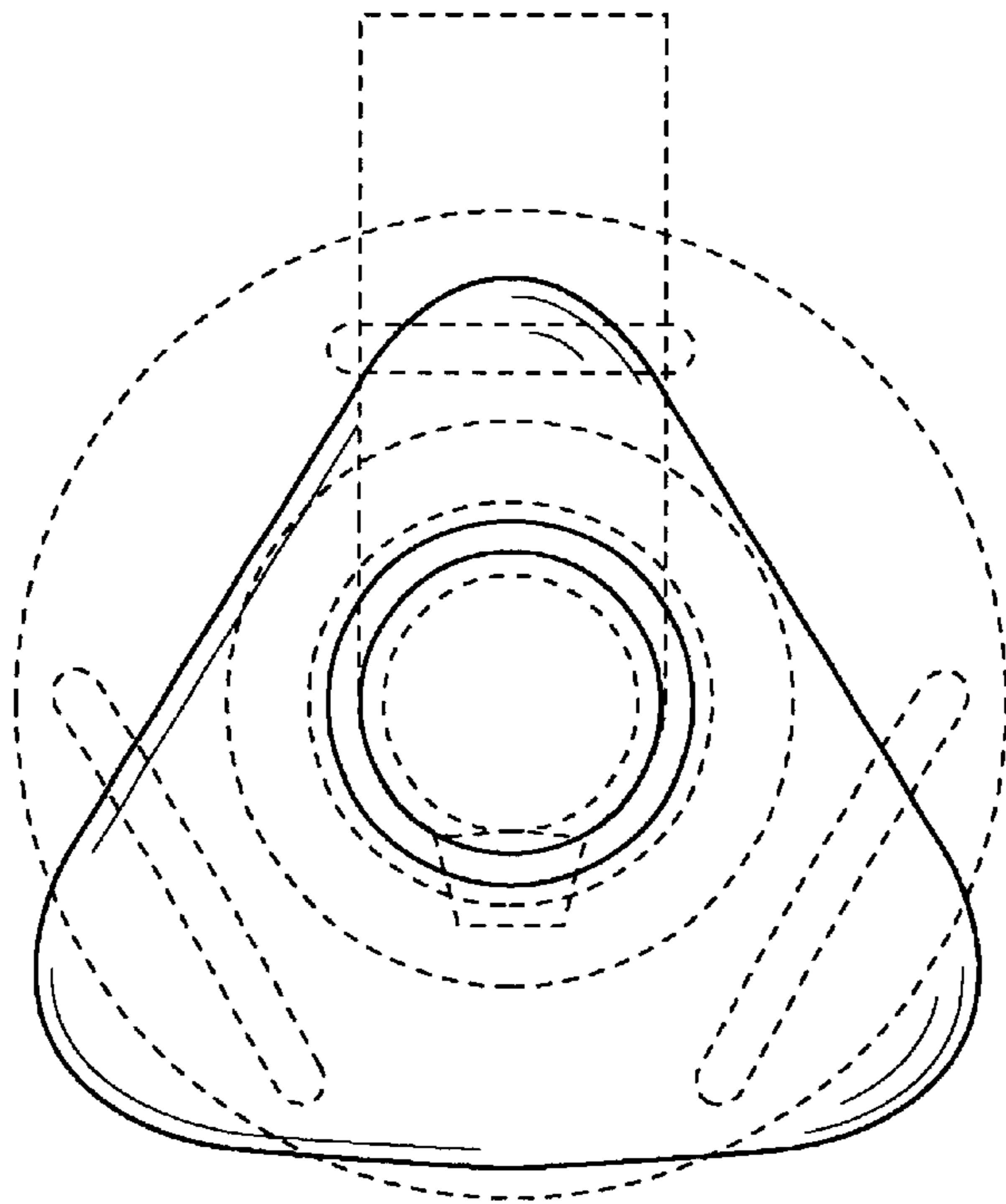


FIG. 4

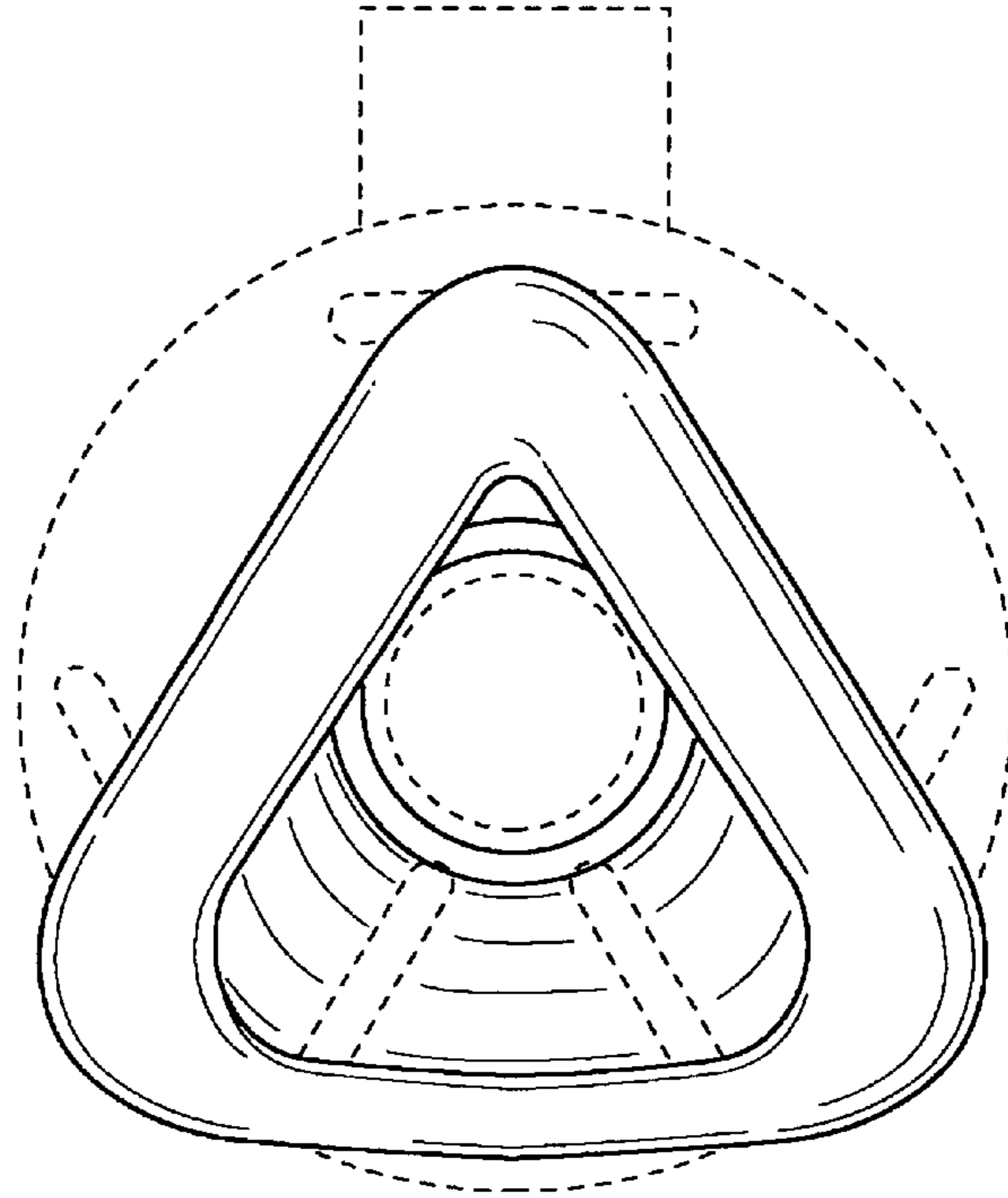


FIG. 5

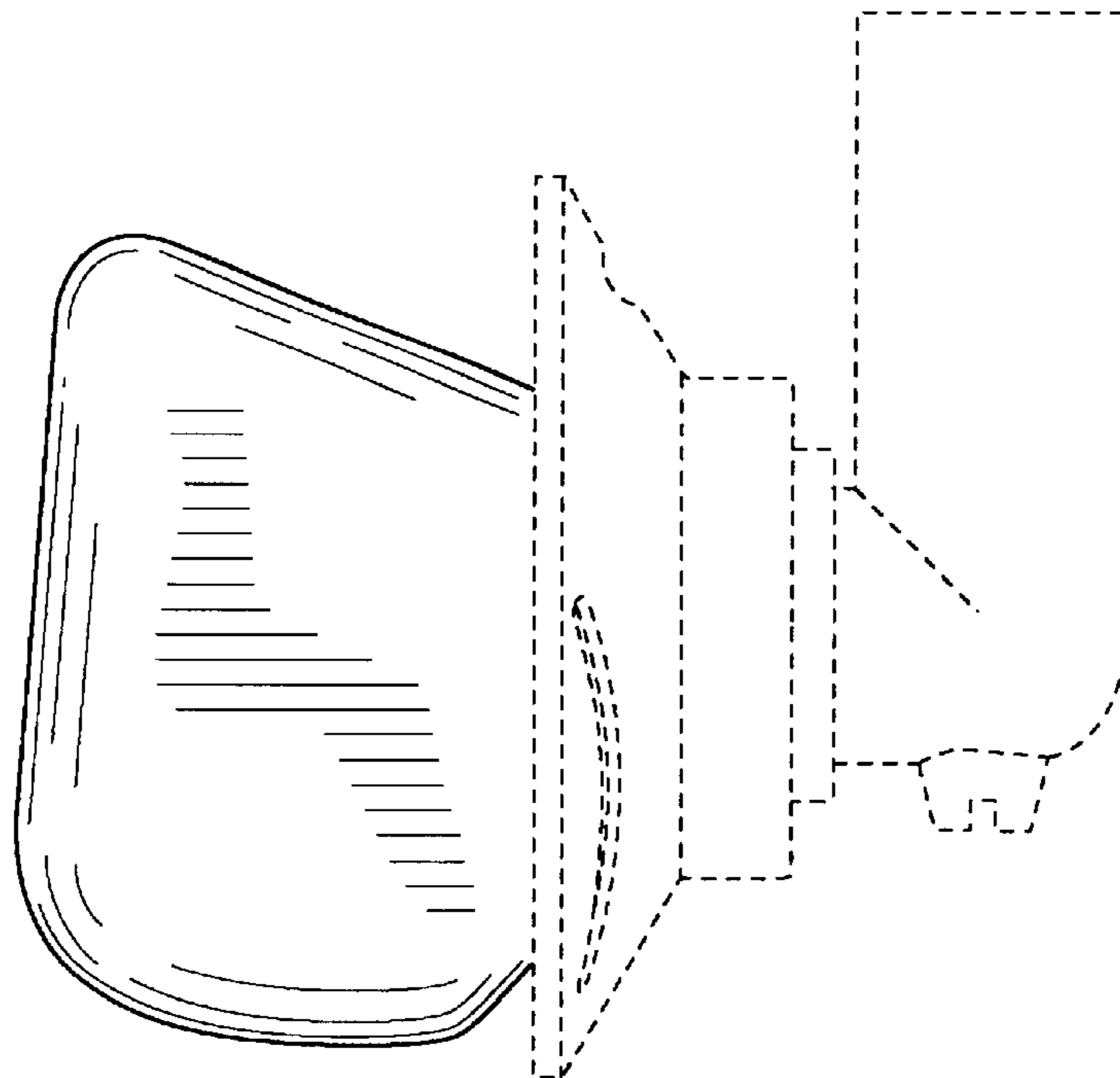


FIG. 6

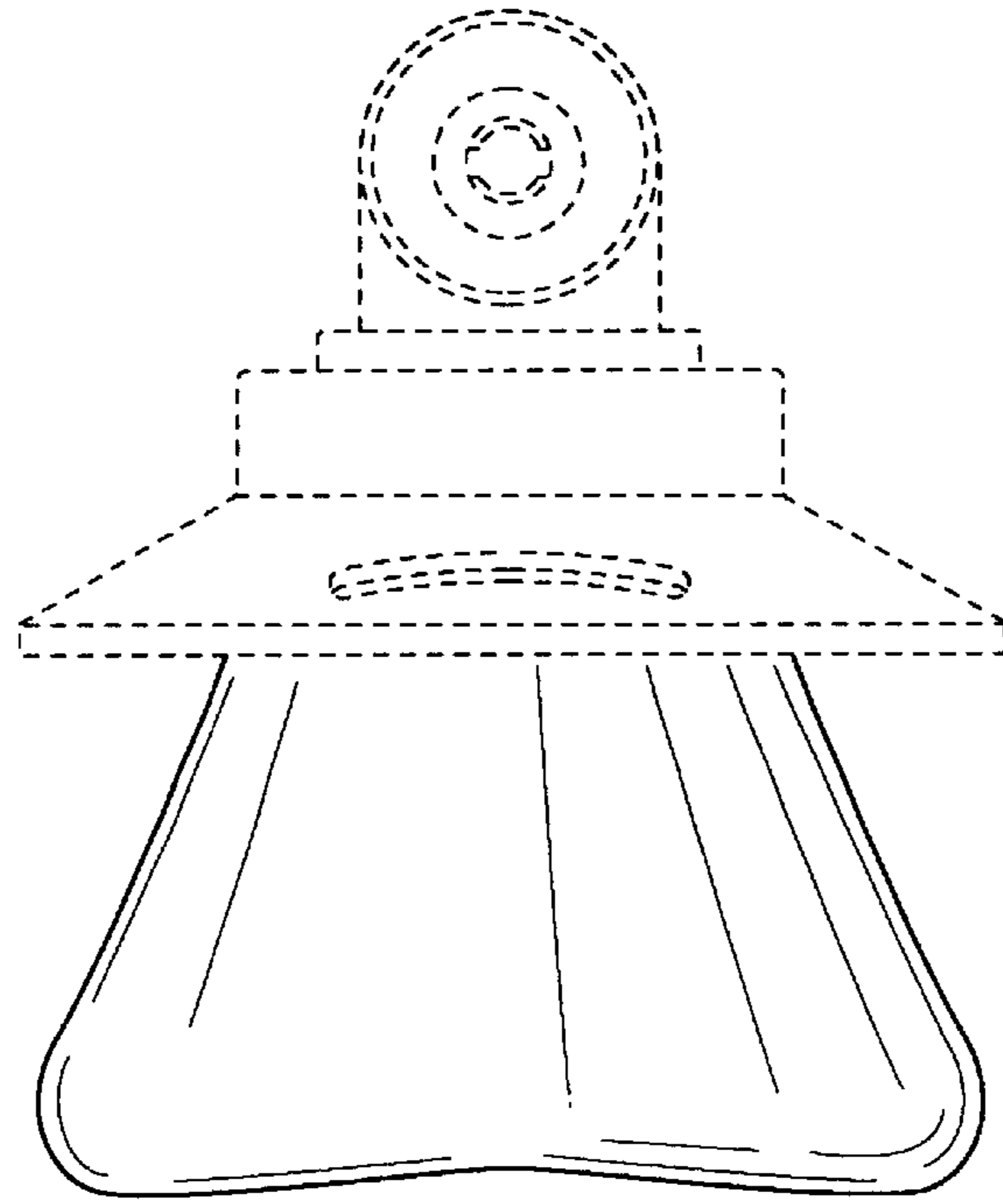


FIG. 7

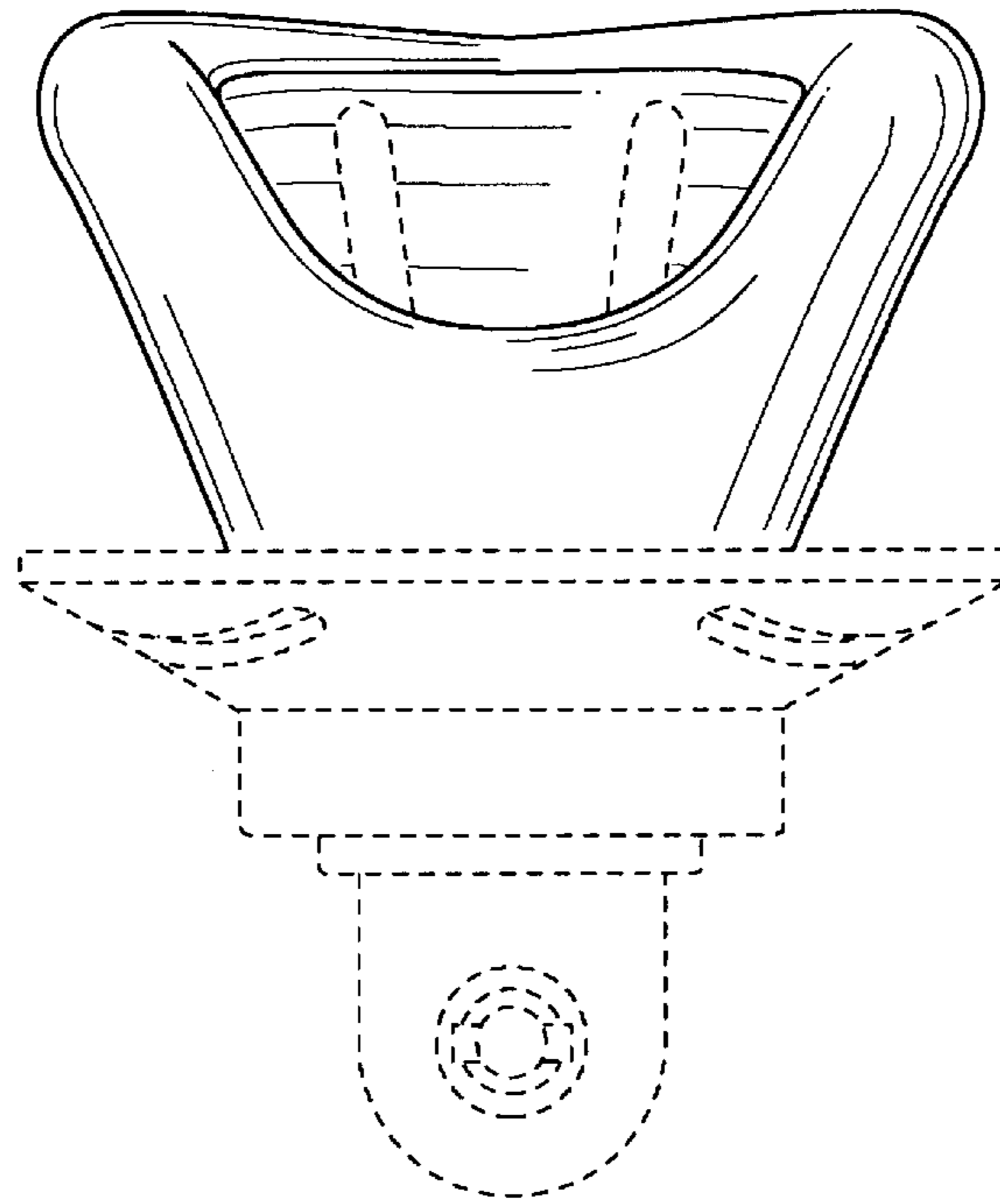


FIG. 8