

US00D493518S1

(12) **United States Design Patent** (10) **Patent No.:** **US D493,518 S**
McAllister et al. (45) **Date of Patent:** **** Jul. 27, 2004**

- (54) **CAPSULE LINK**
- (75) Inventors: **Stephen Mark McAllister**, Harlow (GB); **Brian Hewitt**, Hertfordshire (GB)
- (73) Assignee: **SmithKline Beecham p.l.c.**, Brentford (GB)
- (**) Term: **14 Years**
- (21) Appl. No.: **29/171,610**
- (22) Filed: **Nov. 26, 2002**

Related U.S. Application Data

- (60) Division of application No. 29/164,732, filed on Jul. 29, 2002, now Pat. No. Des. 481,565, which is a continuation of application No. 29/162,299, filed on Jun. 13, 2002, now abandoned, which is a continuation-in-part of application No. 29/154,888, filed on Jan. 30, 2002.
- (51) **LOC (7) Cl.** **24-01**
- (52) **U.S. Cl.** **D24/104**
- (58) **Field of Search** D24/101-104;
424/440, 441, 10.2, 10.3, 464, 467-470,
472, 474, 408, 450-457

References Cited

U.S. PATENT DOCUMENTS

109,667 A	11/1870	Seitz
787,887 A	4/1905	Baker
1,243,501 A	10/1917	Fraser
D53,657 S	7/1919	Hollywood
D54,074 S	11/1919	Fritz
D54,390 S	2/1920	De Mott
1,393,253 A	10/1921	Thompson
D88,675 S	12/1932	Schoenleber
1,915,392 A	6/1933	Thomson
D187,372 S	3/1960	Dailey
3,048,526 A	8/1962	Boswell
3,113,076 A	12/1963	Jacobs
3,125,490 A	3/1964	Hershberg
3,146,169 A	8/1964	Stephenson
D202,392 S	9/1965	Horne
3,279,995 A	10/1966	Reid

D218,368 S	8/1970	Johnson
D225,627 S	12/1972	Gomel et al.
D258,091 S	1/1981	Reed et al.
D258,762 S	3/1981	Corrigan et al.
D285,490 S	9/1986	Tovey
4,735,805 A	4/1988	Ni et al.
D301,763 S	6/1989	Rhoa et al.
D309,035 S	7/1990	Ni et al.
5,002,775 A	3/1991	Toya et al.
5,256,440 A	10/1993	Appel et al.
5,284,659 A	2/1994	Cherukuri et al.
5,342,627 A	8/1994	Chopra et al.
D359,554 S	6/1995	Dansereau
D377,085 S	12/1996	Tortarolo
D377,086 S	12/1996	Tortarolo
D396,537 S	8/1998	Stanton
D400,685 S	11/1998	Stanton
5,853,760 A	12/1998	Cremer
D419,261 S	1/2000	Binstock et al.
D420,464 S	2/2000	Binstock et al.
6,063,404 A	5/2000	Timpe et al.
6,083,533 A	7/2000	Cremer
6,086,919 A	7/2000	Bauer et al.
D430,932 S	9/2000	Vickery et al.
D434,137 S	11/2000	Davis
D442,334 S	5/2001	Friesenhahn
D444,614 S	7/2001	Wolff
6,264,985 B1	7/2001	Cremer
D446,347 S	8/2001	Beaujean
D447,835 S	9/2001	Whitaker et al.
6,365,183 B1	4/2002	Edgren et al.

Primary Examiner—Antoine Duval Davis
(74) *Attorney, Agent, or Firm*—Dara L. Dinner; Stephen Venetianer; Charles M. Kinzig

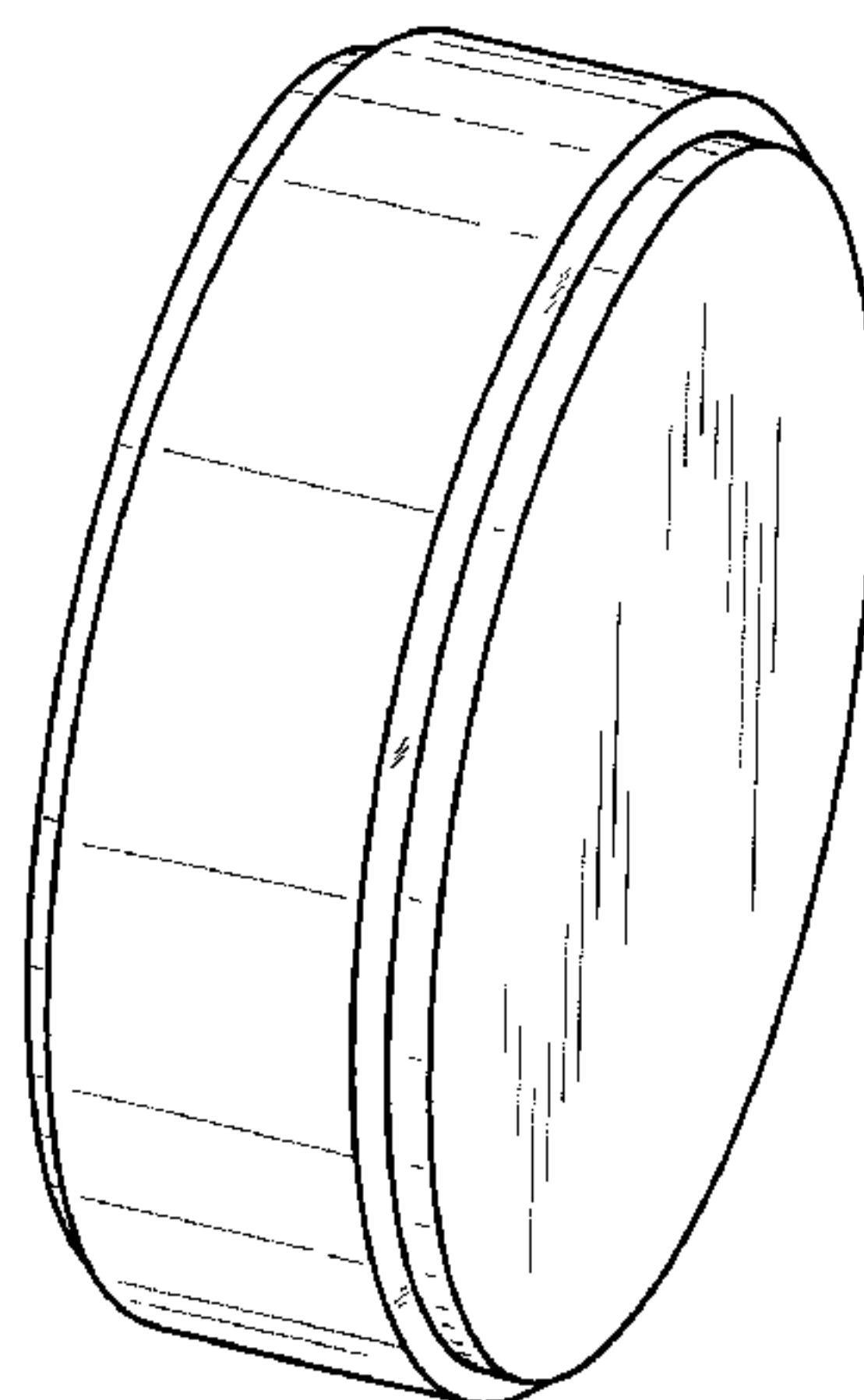
(57) **CLAIM**

The ornamental design for a capsule link, as shown and described.

DESCRIPTION

FIG. 1 is a right, front perspective view of a capsule link, showing my new design;
FIG. 2 is a front side view thereof, the back view being the same; and,
FIG. 3 is a top view thereof, the bottom, right, and left side views being the same.

1 Claim, 1 Drawing Sheet



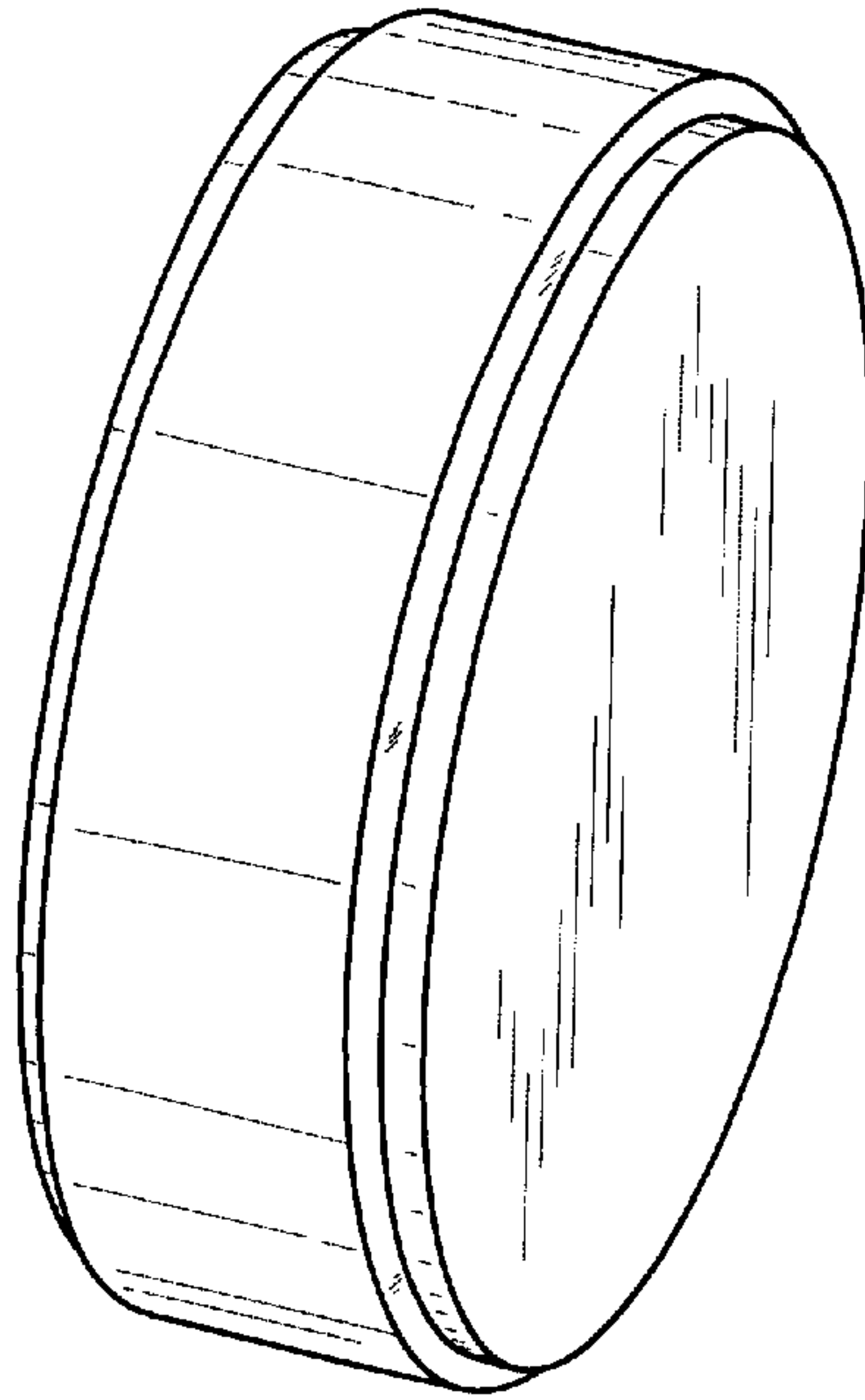


FIG. 1

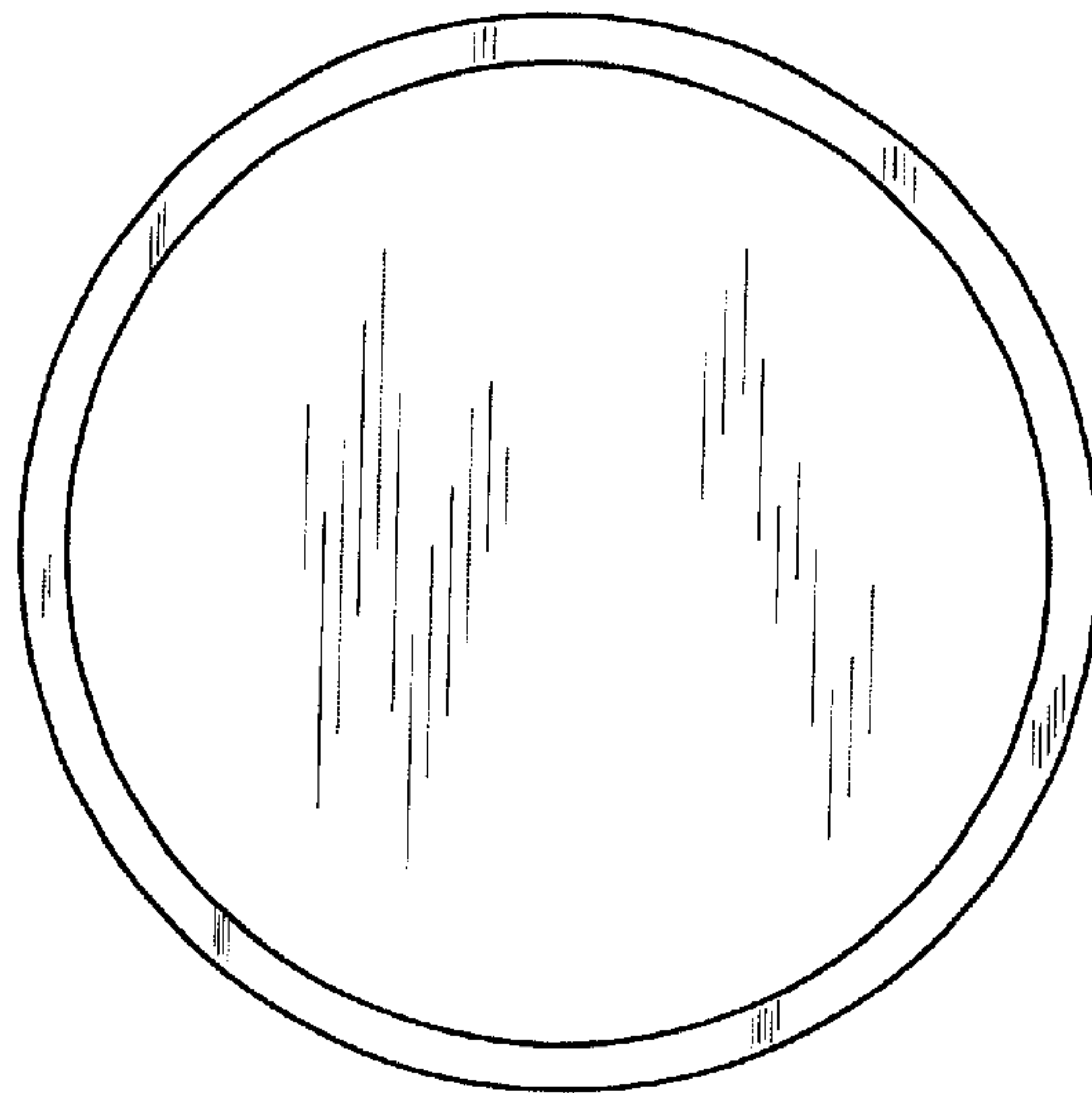


FIG. 2

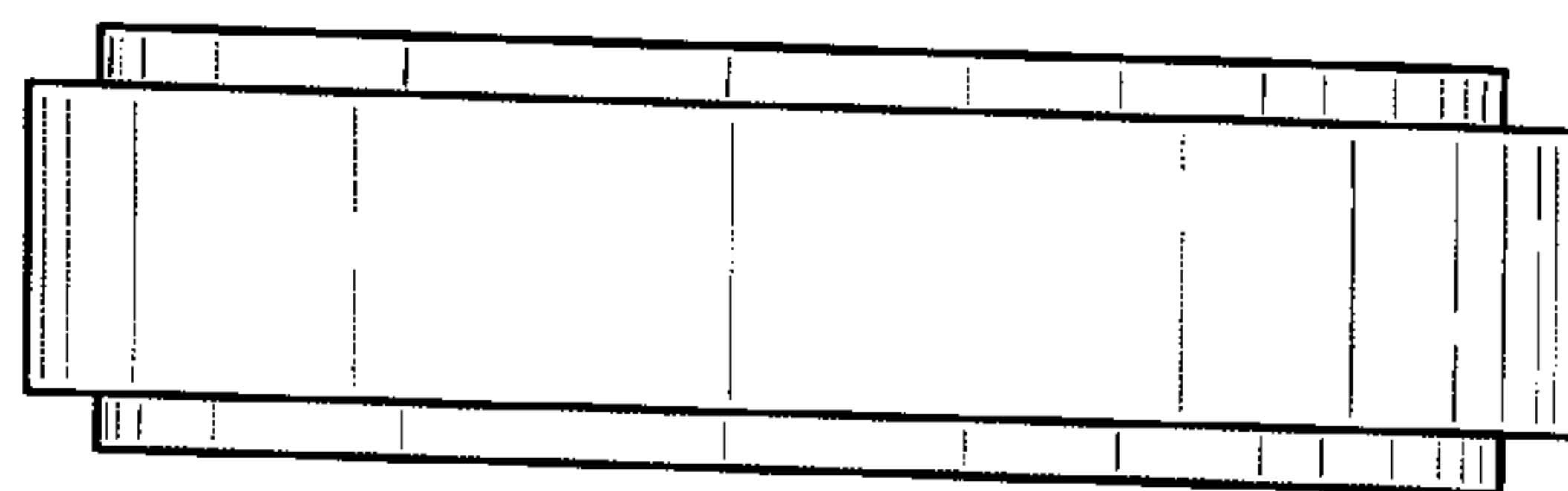


FIG. 3