

US00D493517S1

(12) **United States Design Patent**
Legg

(10) **Patent No.:** **US D493,517 S**

(45) **Date of Patent:** **** Jul. 27, 2004**

(54) **PROTECTIVE HVAC DUCT COVER**

D402,845 S * 12/1998 Hanzok D6/610

(75) Inventor: **Stephen Legg**, 12409 Hummingbird Way, Sellersburg, IN (US) 47172

* cited by examiner

(73) Assignee: **Stephen Legg**, Sellersburg, IN (US)

Primary Examiner—Louis S. Zarfes

Assistant Examiner—Robert A Delehanty

(**) Term: **14 Years**

(74) *Attorney, Agent, or Firm*—Leydig, Voit & Mayer Ltd.

(21) Appl. No.: **29/182,179**

(57) **CLAIM**

(22) Filed: **May 21, 2003**

The ornamental design for a protective HVAC duct cover, as shown and described.

Related U.S. Application Data

DESCRIPTION

(63) Continuation-in-part of application No. 29/168,699, filed on Oct. 7, 2002, now Pat. No. Des. 476,076.

FIG. 1 is a bottom left perspective view of a protective HVAC duct cover showing my new design;

(51) **LOC (7) Cl.** **06-06**

FIG. 2 is a top right perspective view thereof;

(52) **U.S. Cl.** **D23/386**

FIG. 3 is one side elevational view thereof, the other side being the same;

(58) **Field of Search** D23/386, 393, D23/395, 499; D6/610–611; 383/75, 40; 110/349; 454/370, 906

FIG. 4 is an end elevational view thereof, the other end being the same;

(56) **References Cited**

FIG. 5 is a top plan view thereof; and,

U.S. PATENT DOCUMENTS

FIG. 6 is a bottom plan view thereof.

D392,263 S * 3/1998 Carlson et al. D23/386

The drawings are lined for the color orange which form a part of the claimed design.

1 Claim, 4 Drawing Sheets

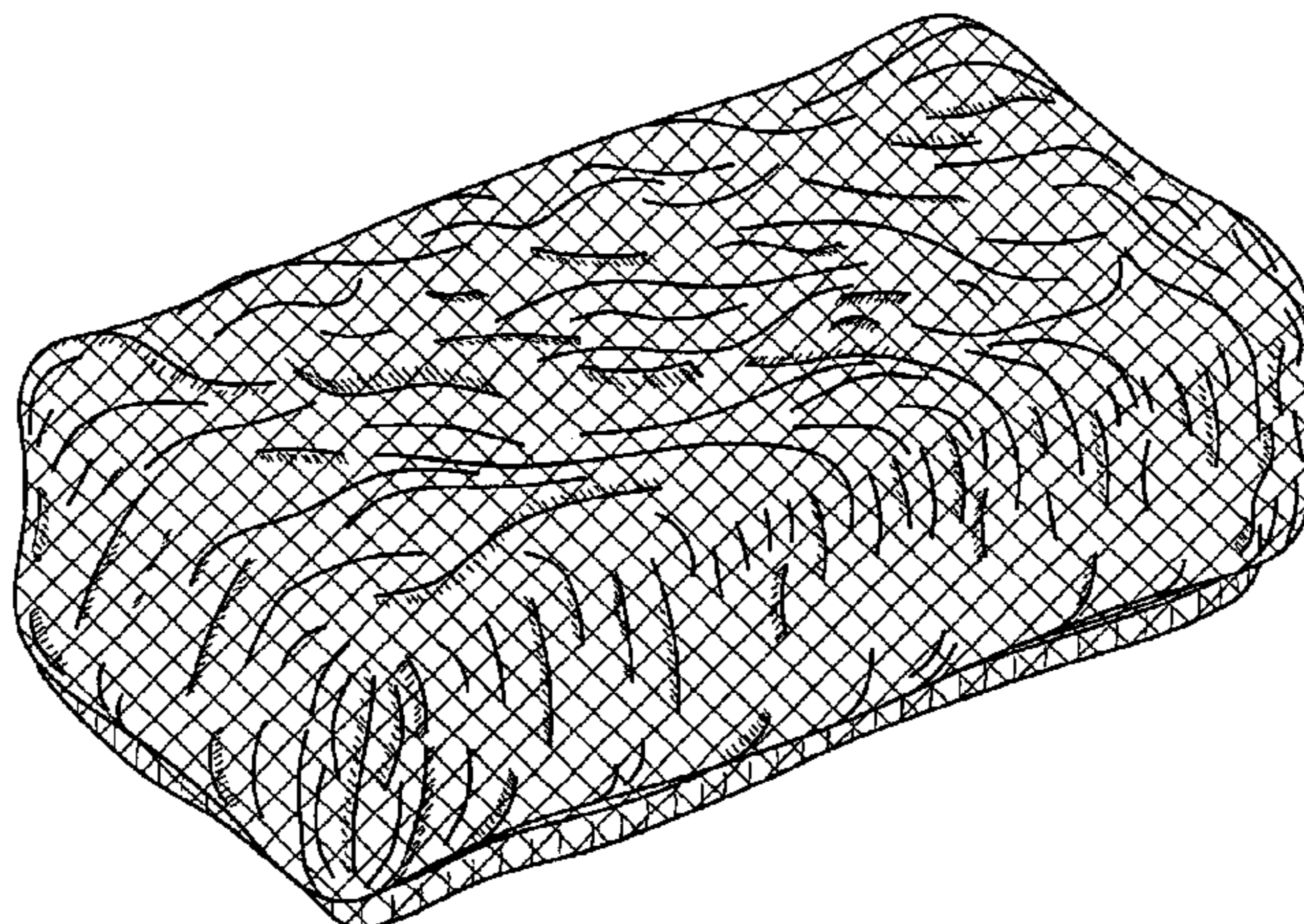
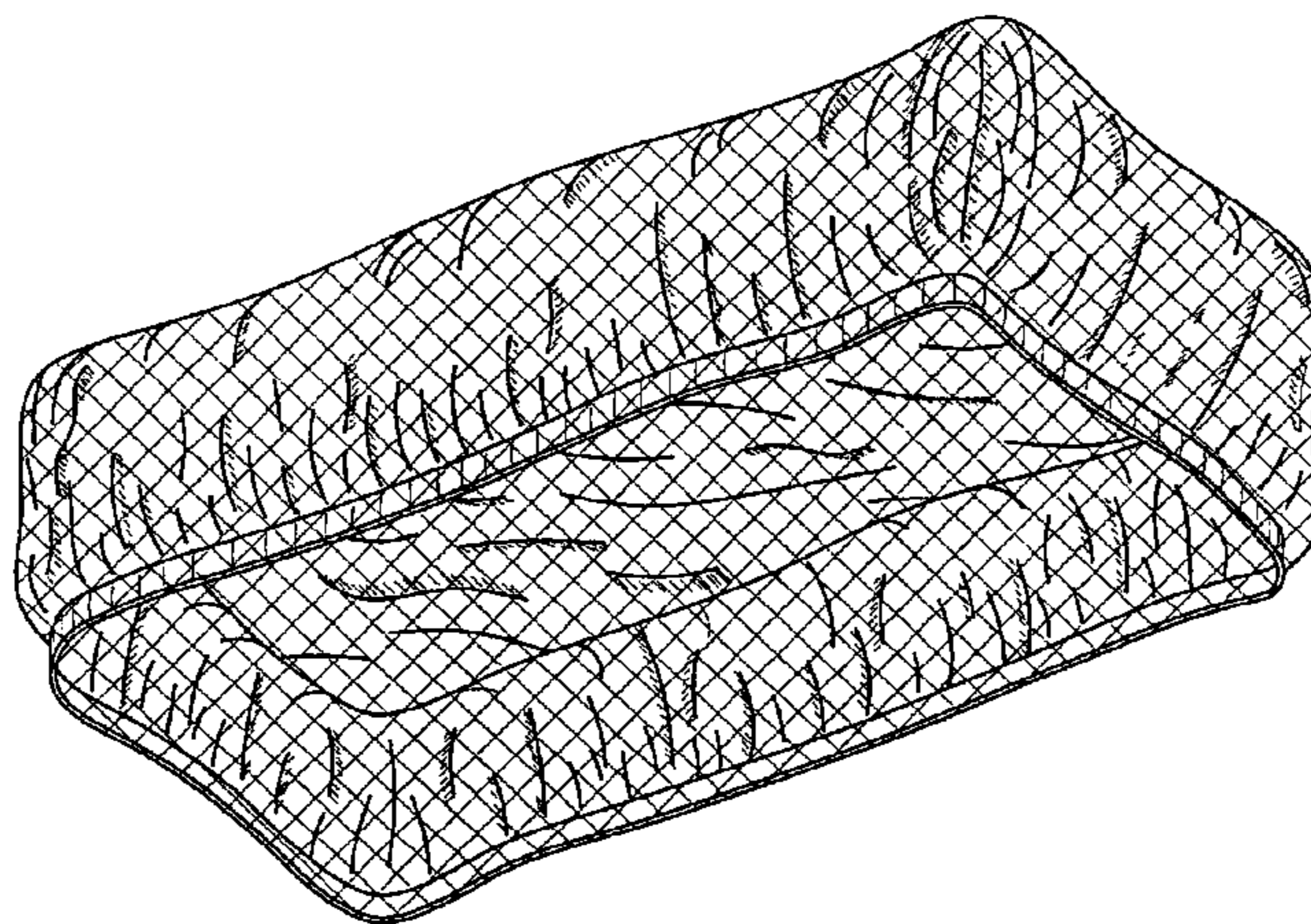


FIG. 1

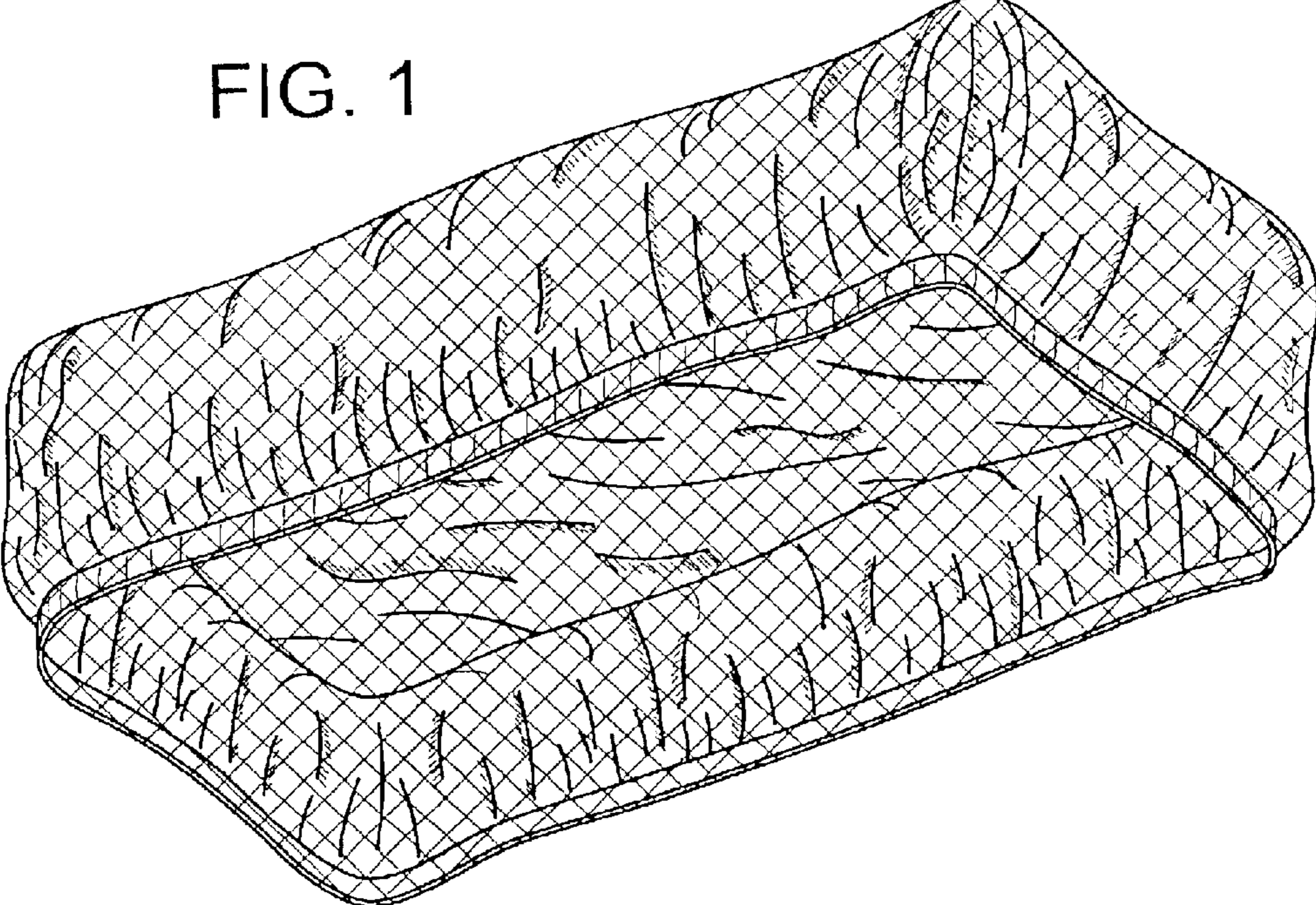
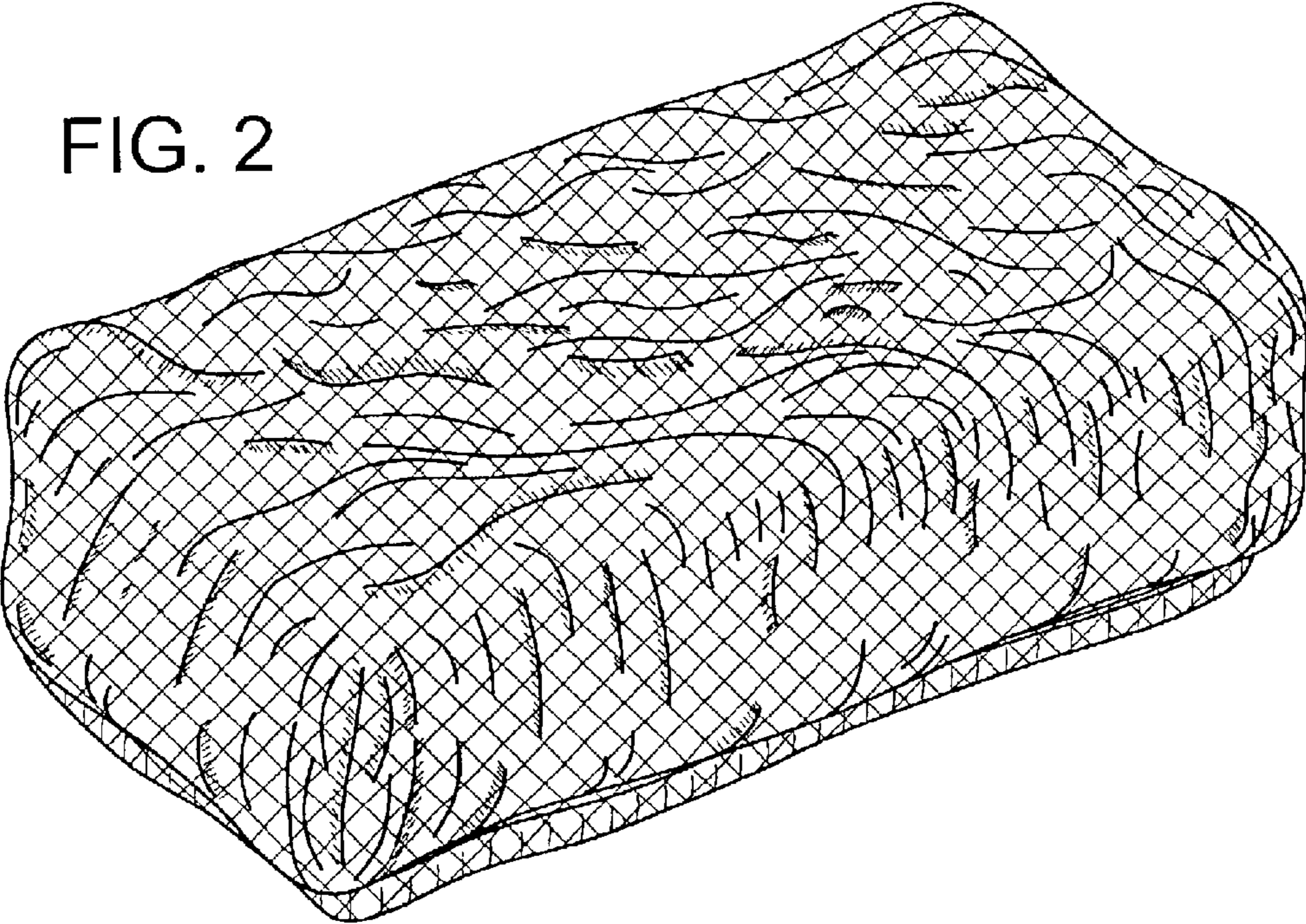


FIG. 2



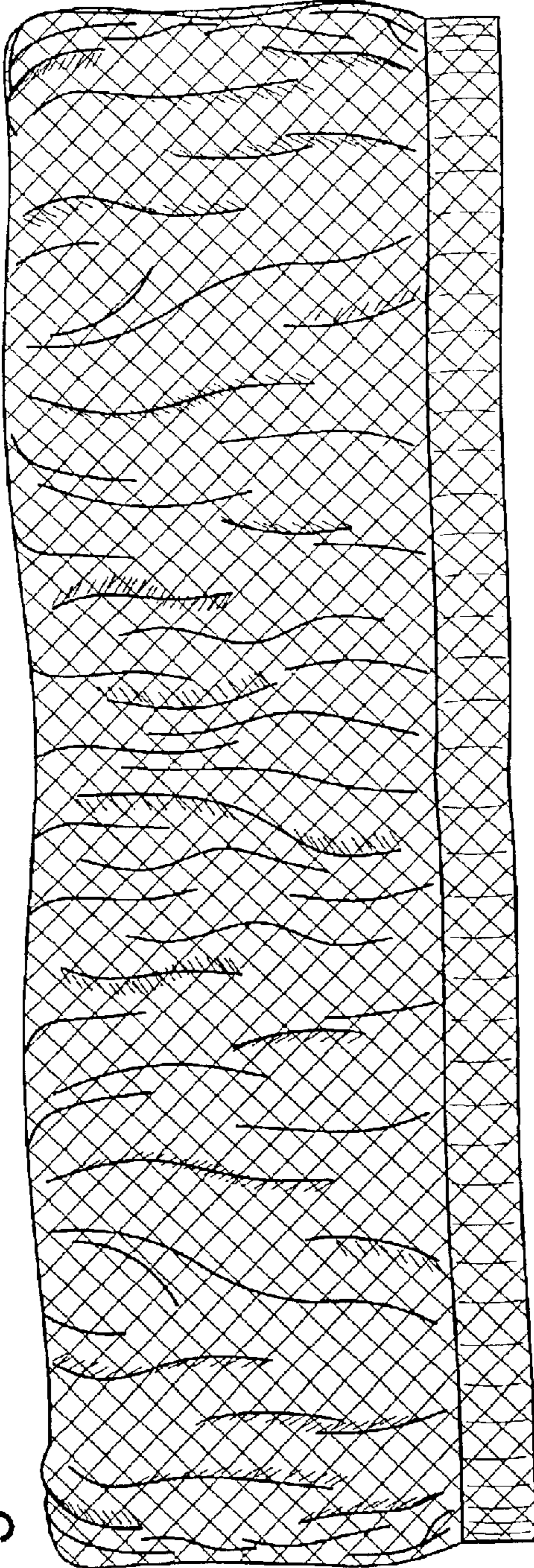


FIG. 3

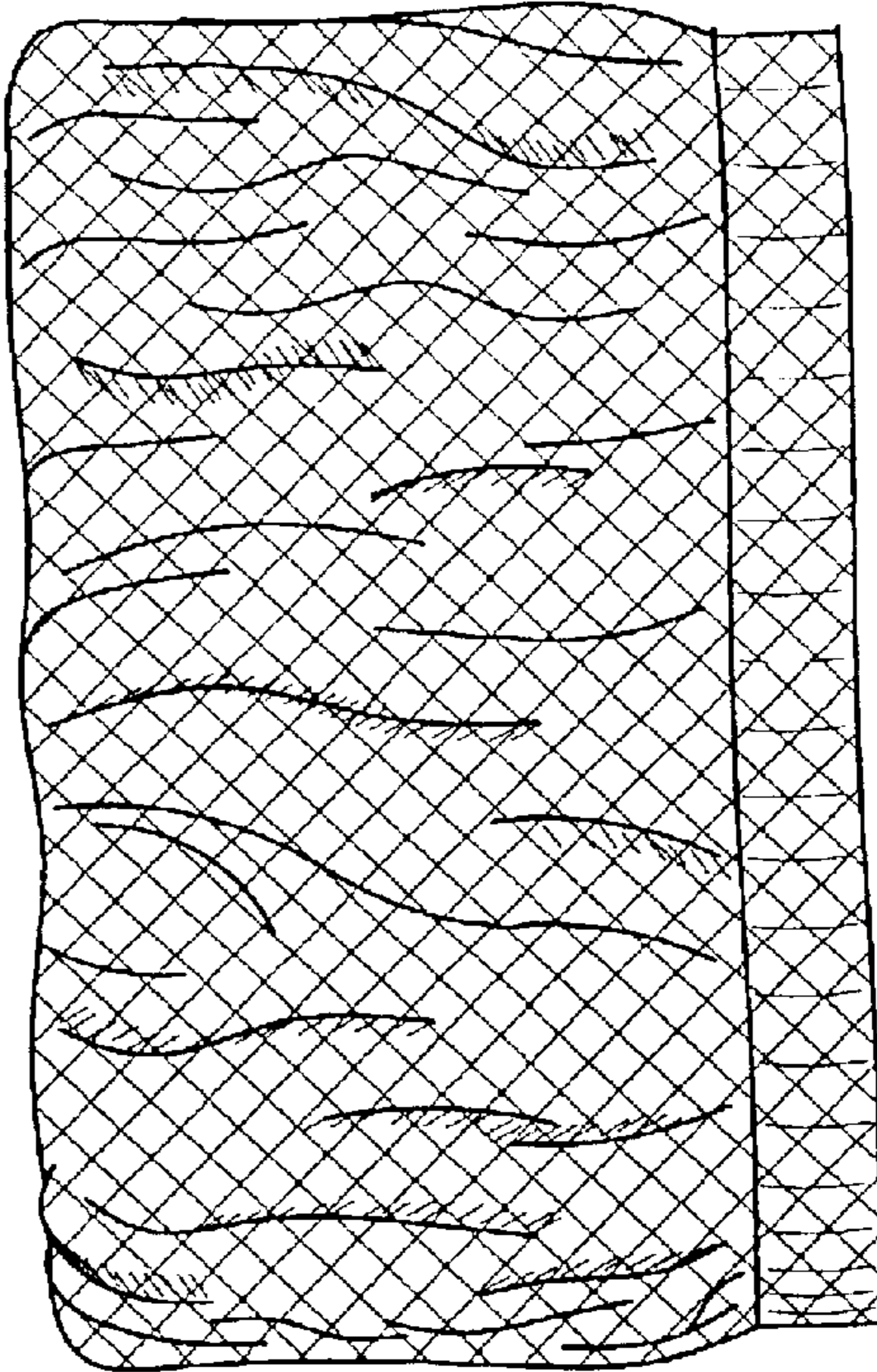


FIG. 4

FIG. 5

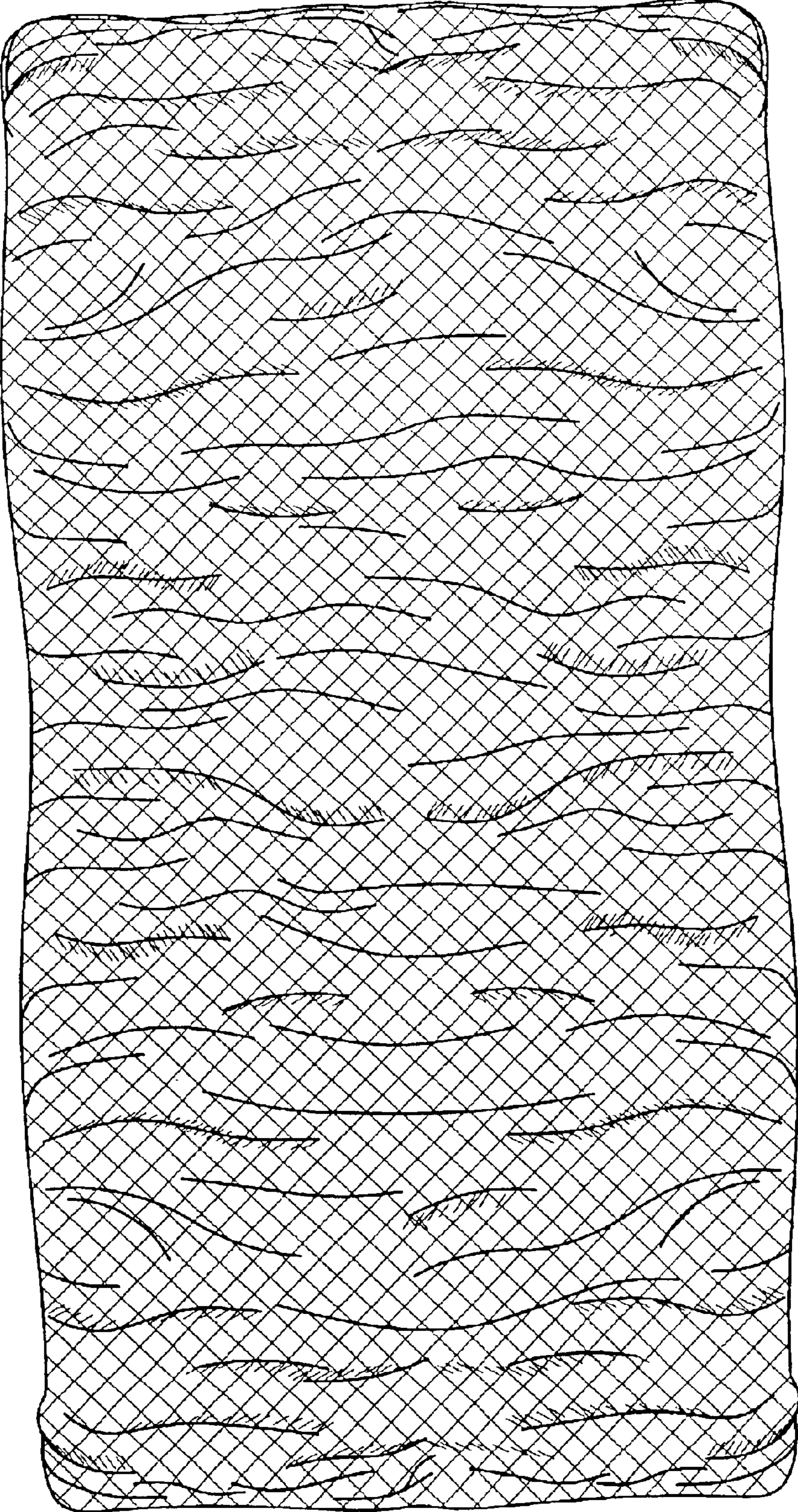


FIG. 6

