

US00D493512S1

(12) **United States Design Patent**  
**Dole et al.**

(10) **Patent No.: US D493,512 S**  
(45) **Date of Patent: \*\* Jul. 27, 2004**

(54) **PIPE COUPLING**

D483,095 S \* 12/2003 Snyder et al. .... D23/262  
D483,441 S \* 12/2003 Dole et al. .... D23/262

(75) Inventors: **Douglas R. Dole**, Whitehouse Station, NJ (US); **Charles E. Wilk, Jr.**, Northampton, PA (US); **Lawrence W. Thau, Jr.**, Flemington, NJ (US); **Ronald R. Snyder, Sr.**, Schnecksville, PA (US)

(73) Assignee: **Victaulic Company of America**, Easton, PA (US)

(\*\*) Term: **14 Years**

(21) Appl. No.: **29/190,545**

(22) Filed: **Sep. 23, 2003**

**Related U.S. Application Data**

(62) Division of application No. 29/172,657, filed on Dec. 16, 2002, now Pat. No. Des. 483,441.

(51) **LOC (7) Cl.** ..... **23-01**

(52) **U.S. Cl.** ..... **D23/262**

(58) **Field of Search** ..... D23/262, 263, D23/259; 285/369, 372, 373, 417

(56) **References Cited**

**U.S. PATENT DOCUMENTS**

3,268,244 A	8/1966	Kotelly et al. ....	285/235
3,459,445 A	8/1969	Parkhill .....	285/302
D234,847 S	4/1975	Hoffman .....	D23/262
4,047,743 A	9/1977	Weintraub et al. ....	285/340
4,073,514 A	2/1978	Pate .....	285/127
4,146,252 A	3/1979	Buda .....	285/308
4,586,734 A	5/1986	Grenier .....	285/340
D291,482 S	8/1987	Vassallo et al. ....	D23/262
5,351,999 A	10/1994	Hattori .....	285/404
5,603,530 A	2/1997	Guest .....	285/105
5,695,224 A	12/1997	Grenier .....	285/104
D427,668 S	7/2000	Stout, Jr. ....	D23/262
6,106,031 A	8/2000	Guginsky .....	285/369
D430,482 S	9/2000	Stout, Jr. ....	D8/382
6,499,771 B1	12/2002	Snyder, Sr. et al. ....	285/319
D483,094 S	* 12/2003	Wilk et al. ....	D23/262

**OTHER PUBLICATIONS**

U.S. patent application Ser. No. 10/007,951, filed Dec. 3, 2001, entitled "Mechanical Pipe Coupling Derived from a Standard Fitting" (Snyder, Sr. et al.).

U.S. patent application Ser. No. 10/123,607, filed Apr. 16, 2002, entitled "Mechanical Pipe Coupling Derived from a Standard Fitting" (Snyder, Sr. et al.).

U.S. patent application Ser. No. 10/299,164, filed Nov. 19, 2002, entitled "Clamping Mechanical Pipe Coupling Derived from a Standard Fitting" (Snyder, Sr. et al.).

(List continued on next page.)

*Primary Examiner*—Robin V. Taylor

(74) *Attorney, Agent, or Firm*—Synnestvedt & Lechner LLP

(57) **CLAIM**

The ornamental design for a pipe coupling, as shown and described.

**DESCRIPTION**

FIG. 1 is a perspective view of a first embodiment of our design for a pipe coupling;

FIG. 2 is a side view of the pipe coupling shown in FIG. 1, the opposite side, the top and bottom views being identical thereto;

FIG. 3 is an end view of the pipe coupling shown in FIG. 1, the opposite end view being identical;

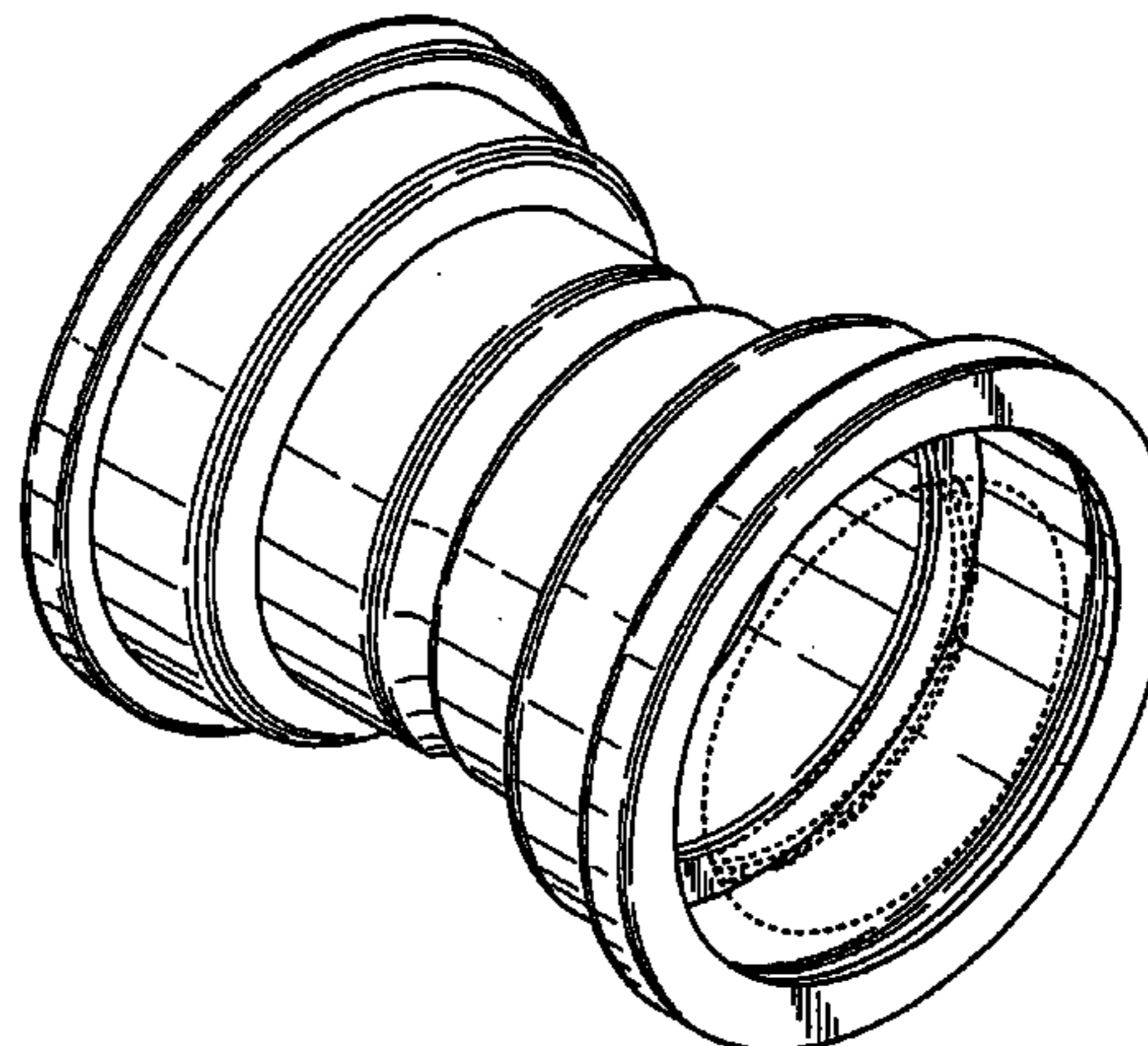
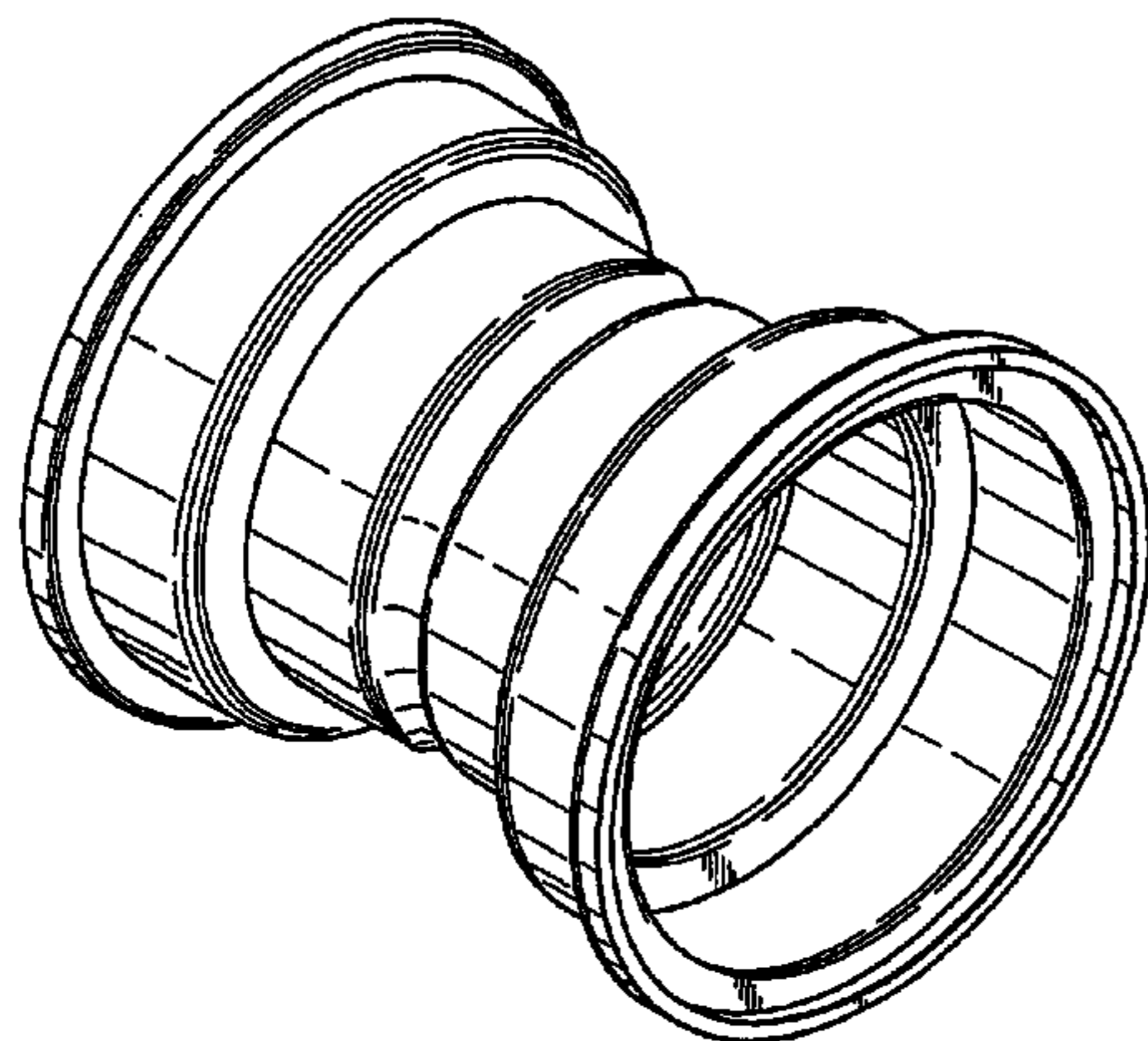
FIG. 4 is a perspective view of a second embodiment of our design for a pipe coupling;

FIG. 5 is a side view of the pipe coupling shown in FIG. 4, the opposite side, the top and bottom views being identical thereto; and,

FIG. 6 is an end view of the pipe coupling shown in FIG. 4, the opposite end view being identical.

The broken lines shown in FIGS. 4 and 6 are shown for illustrative purposes only and form no part of the claimed design.

**1 Claim, 2 Drawing Sheets**



OTHER PUBLICATIONS

U.S. patent application Ser. No. 10/299,281, filed Nov. 19, 2002, entitled "Triple-expanded Mechanical Pipe Coupling Derived from a Standard Fitting" (Snyder, Sr. et al.).

IMI Yorkshire Fittings Group Web page, including Tectite Products and Installation (4 pages; downloaded Mar. 15, 2000).

cuprofit® Push-Fit for the Professionals, copyright 2001 (1 page; downloaded Nov. 21, 2001).

IBP Group Web Site; web pages downloaded Mar. 15, 2000, including cuprofit®, >B<press and DELCOP® products, all copyrighted 1998 IBP (12 pages total).

U.S. Design patent application Ser. No. 29/172,661, filed Dec. 16, 2002, entitled PIPE COUPLING (Snyder, Sr. et al.).

U.S. Design patent application Ser. No. 29/172,660, filed Dec. 16, 2002, entitled ELBOW COUPLING (Snyder, Sr. et al.).

U.S. Design patent application Ser. No. 29/172,658, filed Dec. 16, 2002, entitled TEE COUPLING (Snyder, Sr. et al.).

U.S. Design patent application Ser. No. 29/172,657, filed Dec. 16, 2002, entitled PIPE COUPLING (Dole et al.).

U.S. Design patent application Ser. No. 29/172,654, filed Dec. 16, 2002, entitled ELBOW COUPLING (Dole et al.).

U.S. Design patent application Ser. No. 29/172,645, filed Dec. 16, 2002, entitled TEE COUPLING (Dole et al.).

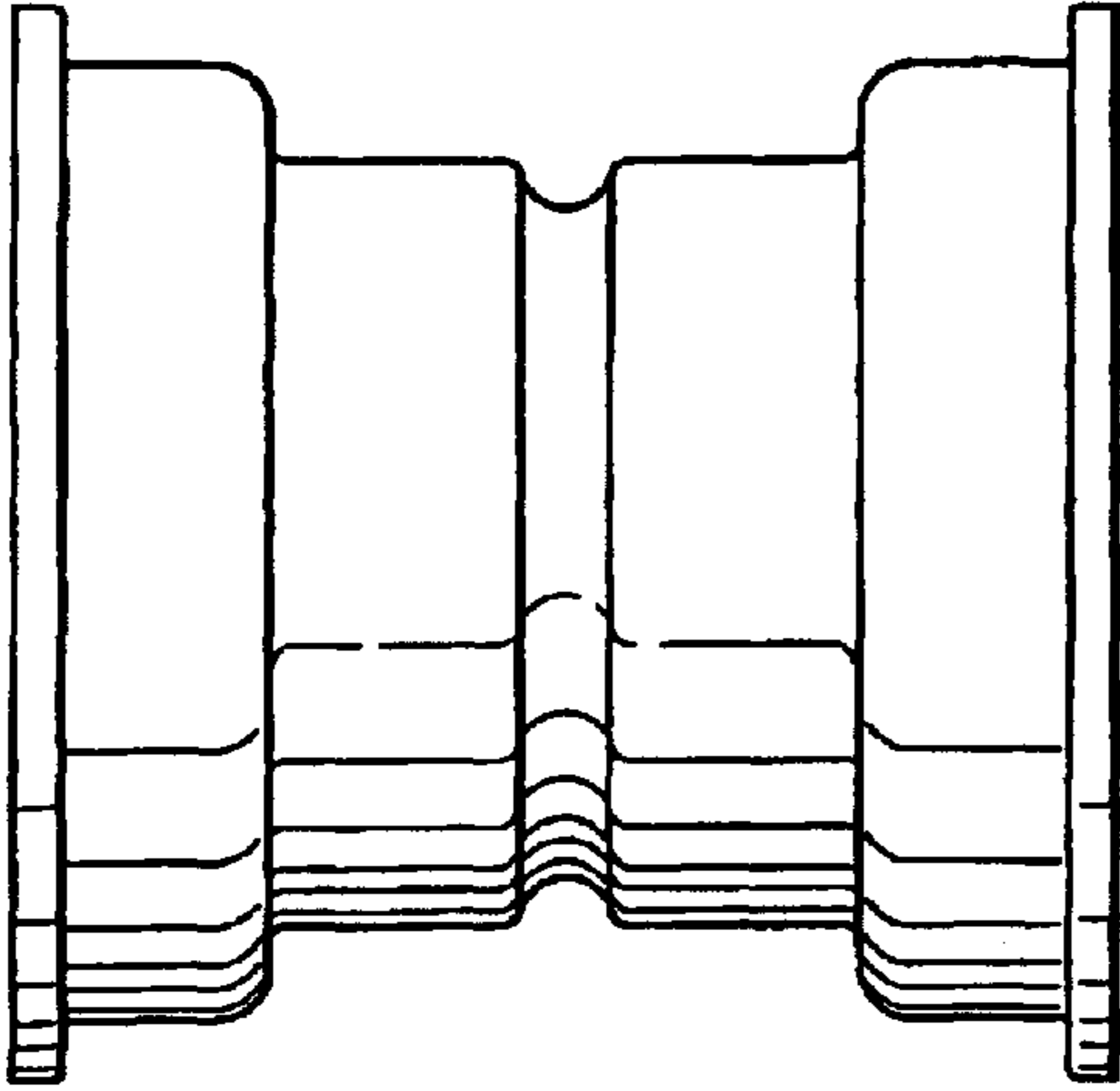
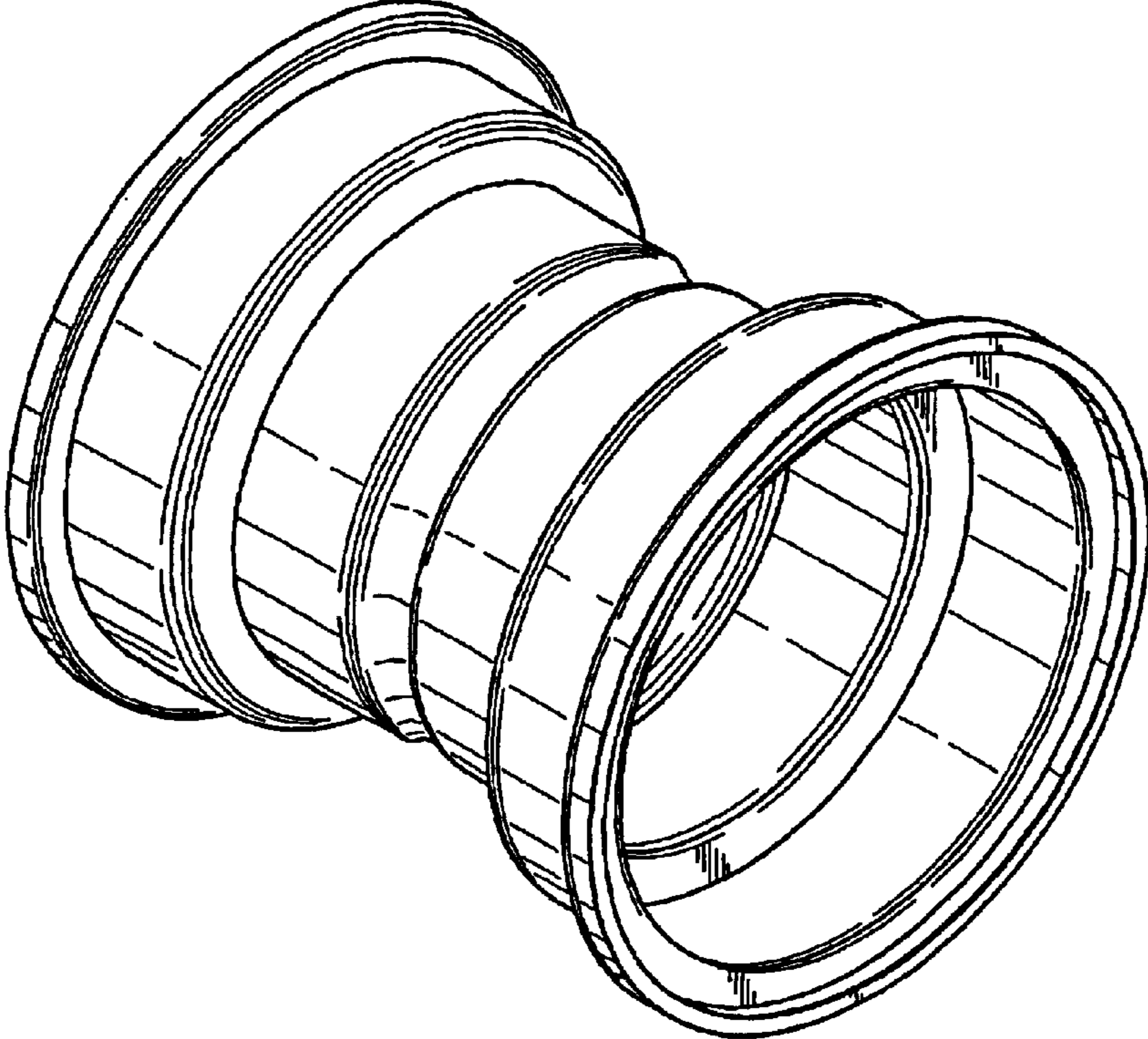
U.S. Design patent application Ser. No. 29/172,659, filed Dec. 16, 2002, entitled PIPE COUPLING (Wilk, Jr. et al.).

U.S. Design patent application Ser. No. 29/172,644, filed Dec. 16, 2002, entitled ELBOW COUPLING (Wilk, Jr. et al.).

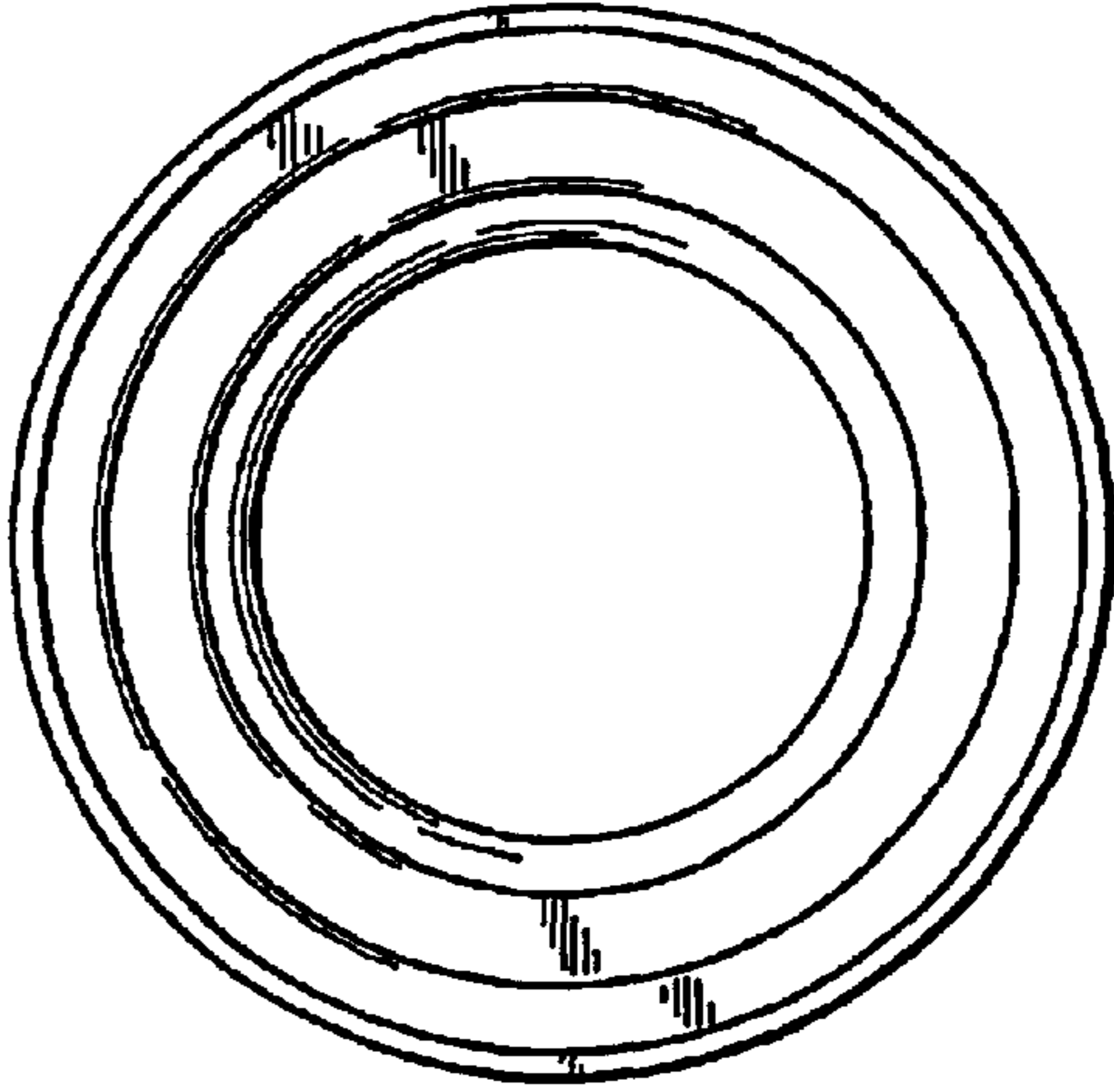
U.S. Design patent application Ser. No. 29/172,643, entitled TEE COUPLING (Wilk, Jr. et al.).

\* cited by examiner

**FIG. 1**



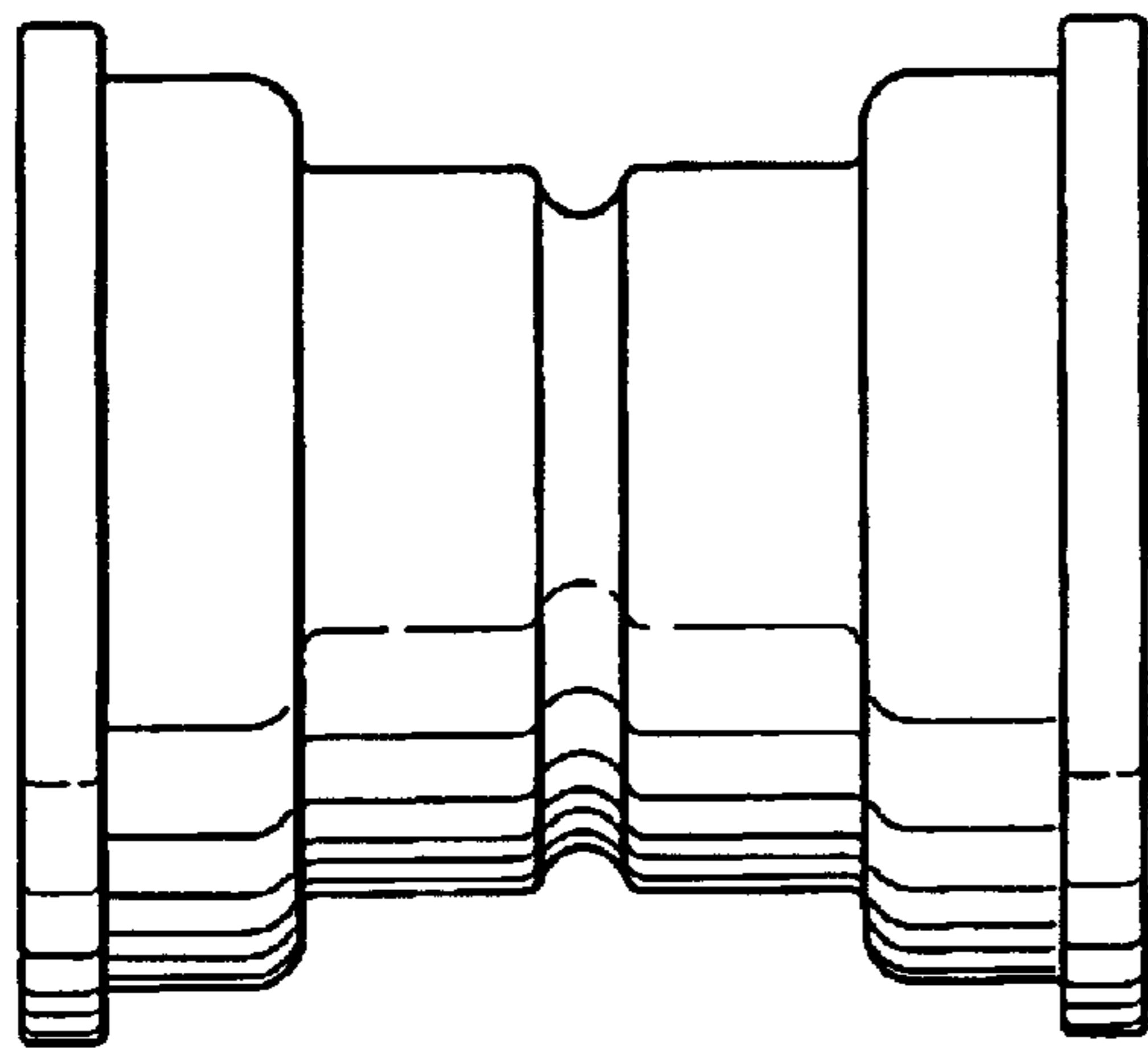
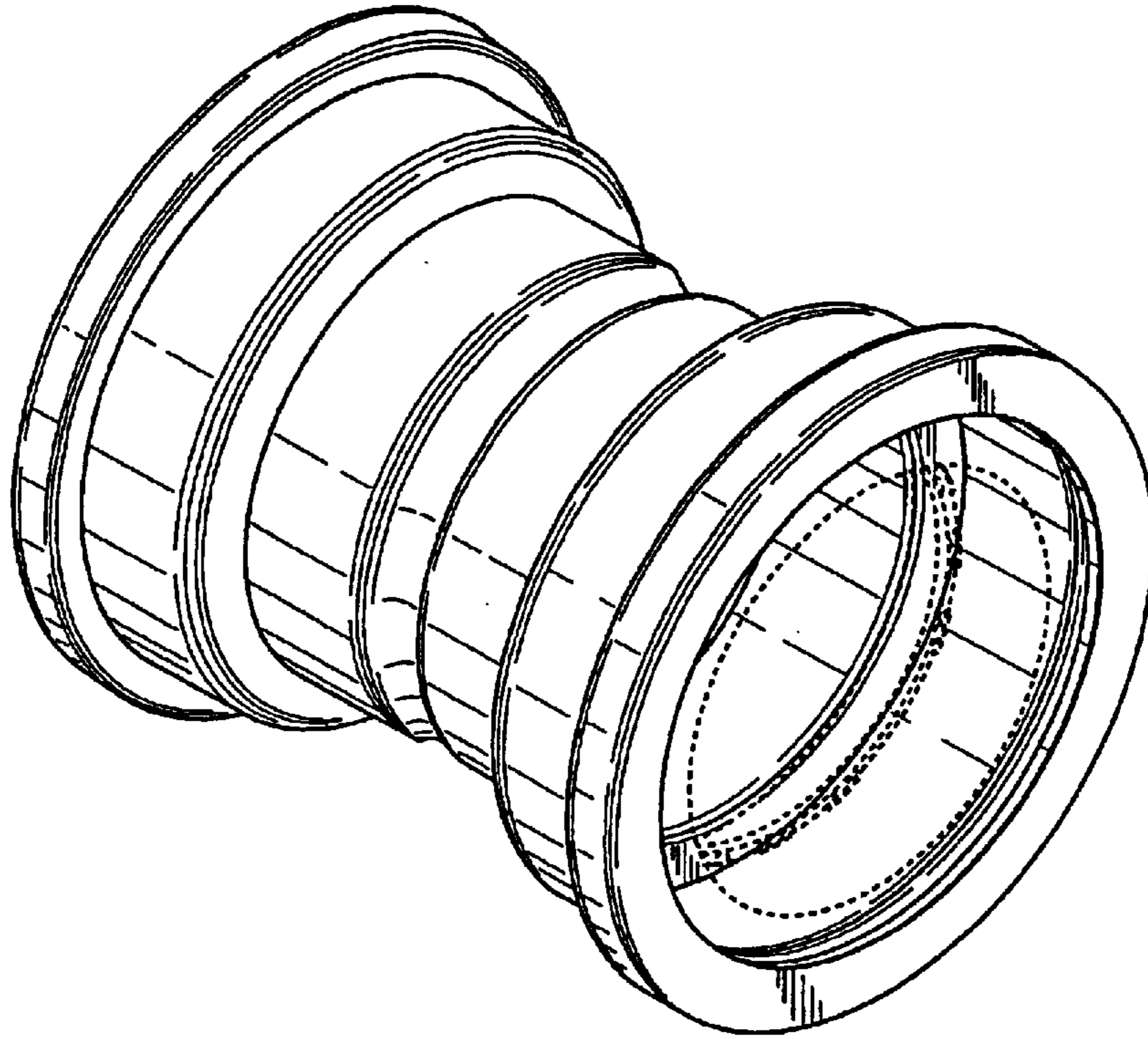
**FIG. 2**



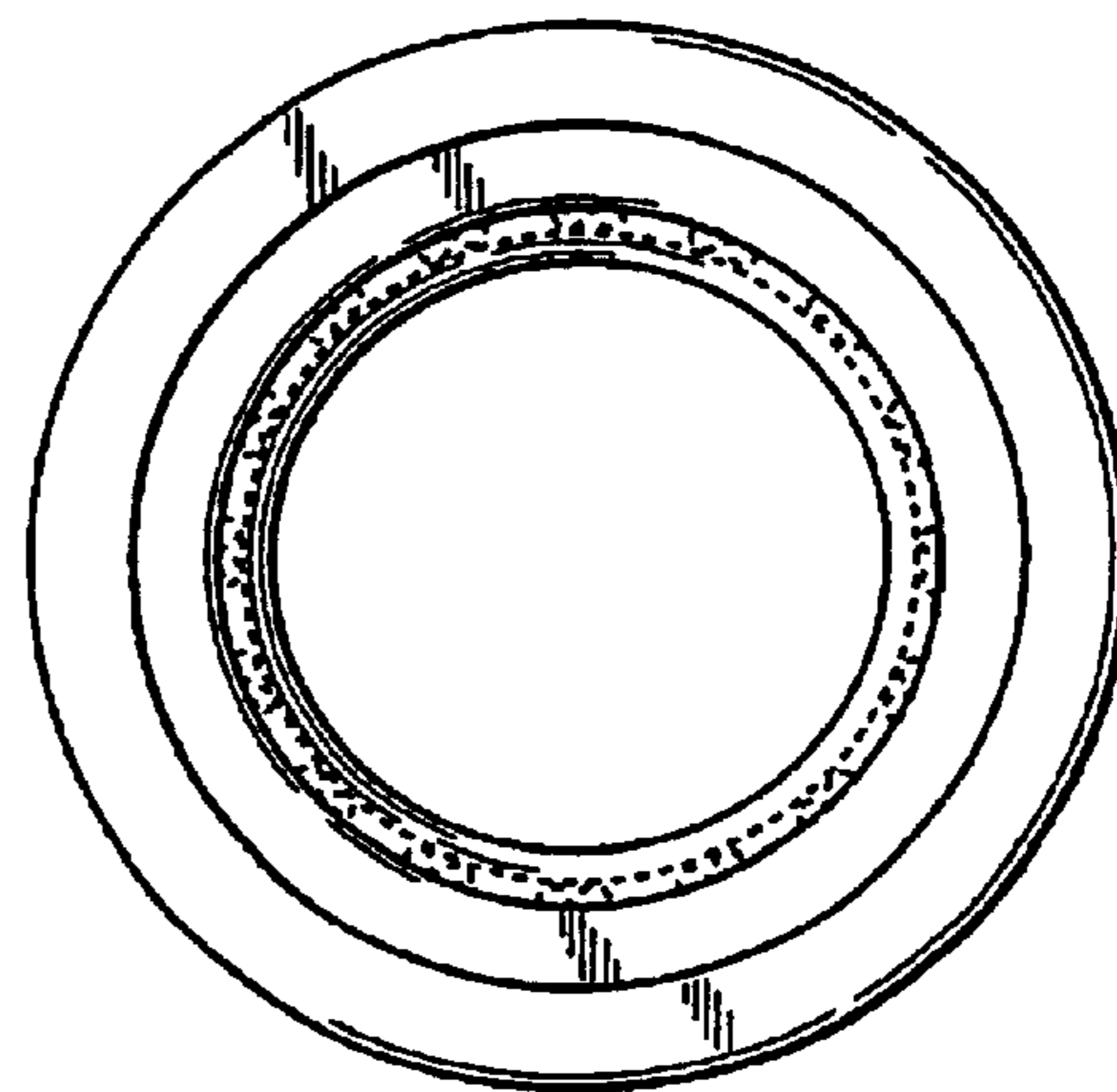
**FIG. 3**



**FIG. 4**



**FIG. 5**



**FIG. 6**