

US00D493509S1

(12) **United States Design Patent**
Barnes

(10) **Patent No.:** **US D493,509 S**
(45) **Date of Patent:** **** Jul. 27, 2004**

(54) **SANITIZER DISPENSER**

(57) **CLAIM**

(76) **Inventor:** **Ronald L. Barnes**, 3122 12th Ave.
Southwest, Huntsville, AL (US) 35805

The ornamental design for a sanitizer dispenser, as shown and described.

(**) **Term:** **14 Years**

DESCRIPTION

(21) **Appl. No.:** **29/165,635**

FIG. 1 is a perspective view of my new sanitizer dispenser taken from a point in front, above and to a right side thereof, with a cartridge door of my new sanitizer dispenser shown in an open position for inserting a chemical cartridge into the receptacle of the sanitizer dispenser. The dashed line showing of a chemical cartridge is for illustrative purposes only, and does not form a part of the claim of my new design.

(22) **Filed:** **Aug. 14, 2002**

Related U.S. Application Data

(63) Continuation-in-part of application No. 10/061,752, filed on Feb. 1, 2002.

FIG. 2 is a perspective view of my new sanitizer dispenser taken from a point in front of, above and to a right side thereof showing the cartridge door in a closed position.

(51) **LOC (7) Cl.** **23-01**

(52) **U.S. Cl.** **D23/208**

FIG. 3 is a planar view of my new sanitizer dispenser taken from a point directly in front of the sanitizer dispenser, with the cartridge door in an open position so that the viewer may view details of the cartridge receptacle.

(58) **Field of Search** D23/207, 208;
D24/201; 4/222, 541.6, 541.2; 210/192

(56) **References Cited**

FIG. 4 is a perspective view taken from a point in front of and to a right side of my new sanitizer dispenser, and particularly showing details of the cartridge receptacle. The remainder of my sanitizer dispenser is broken away for clarity, the broken away portions being shown in FIGS. 1 and 3.

U.S. PATENT DOCUMENTS

- 4,349,923 A * 9/1982 Chalberg 4/541.6
- 5,291,621 A * 3/1994 Mathis 4/541.4
- D365,381 S * 12/1995 Hoepfner D23/209
- D439,532 S * 3/2001 Off et al. D10/81
- D450,804 S * 11/2001 Srinath et al. D23/213
- 6,453,484 B1 * 9/2002 Pinciario 4/541.6
- D476,057 S * 6/2003 Nguyen et al. D23/208

FIG. 5 is a bottom planar view of my new sanitizer dispenser.

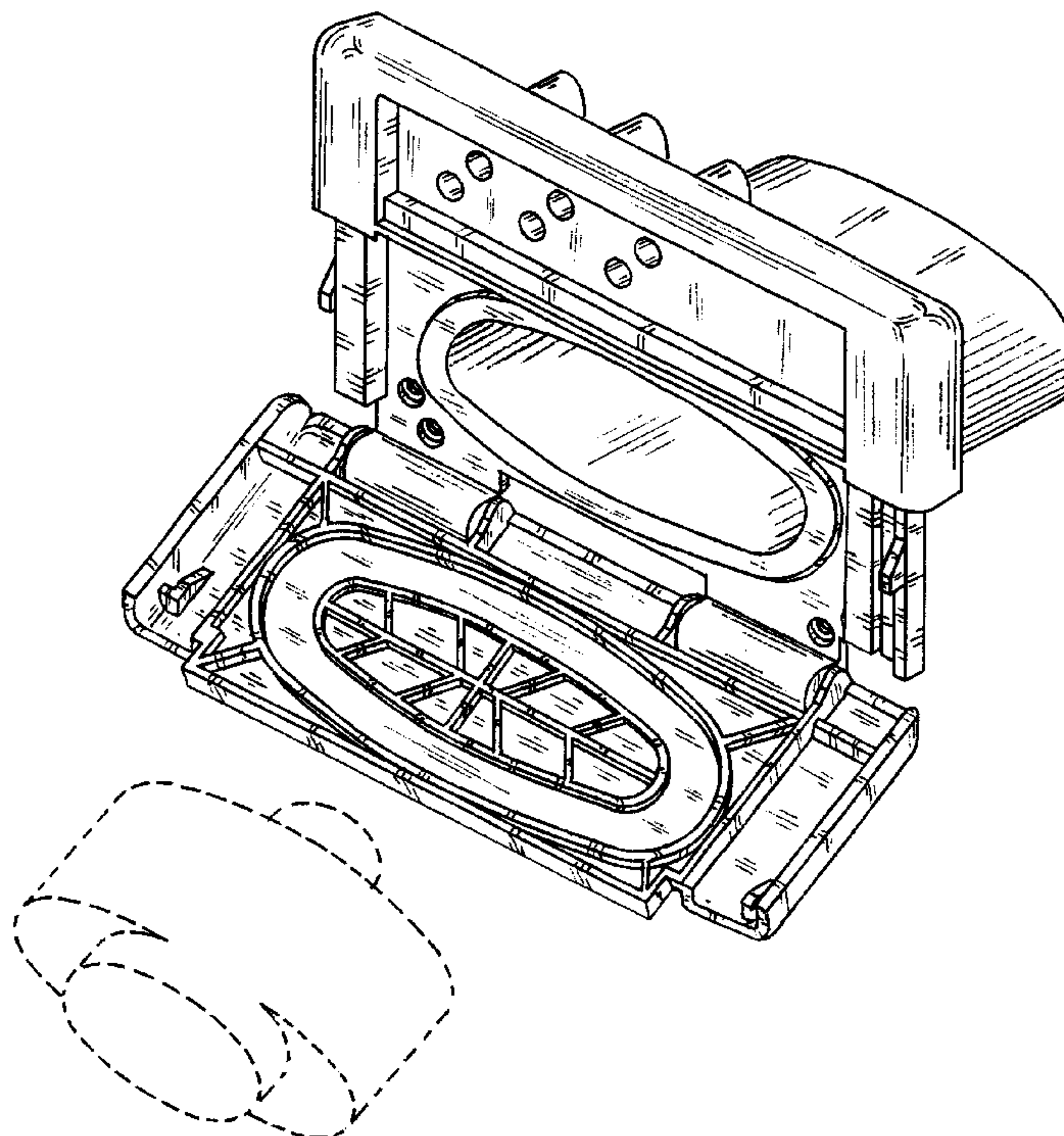
* cited by examiner

FIG. 6 is a top planar view of my new sanitizer dispenser. FIG. 7 is a left planar view of my new sanitizer dispenser; and,

Primary Examiner—Robin V. Taylor
(74) *Attorney, Agent, or Firm*—Mark Clodfelter

FIG. 8 is a right planar view of my new sanitizer dispenser.

1 Claim, 8 Drawing Sheets



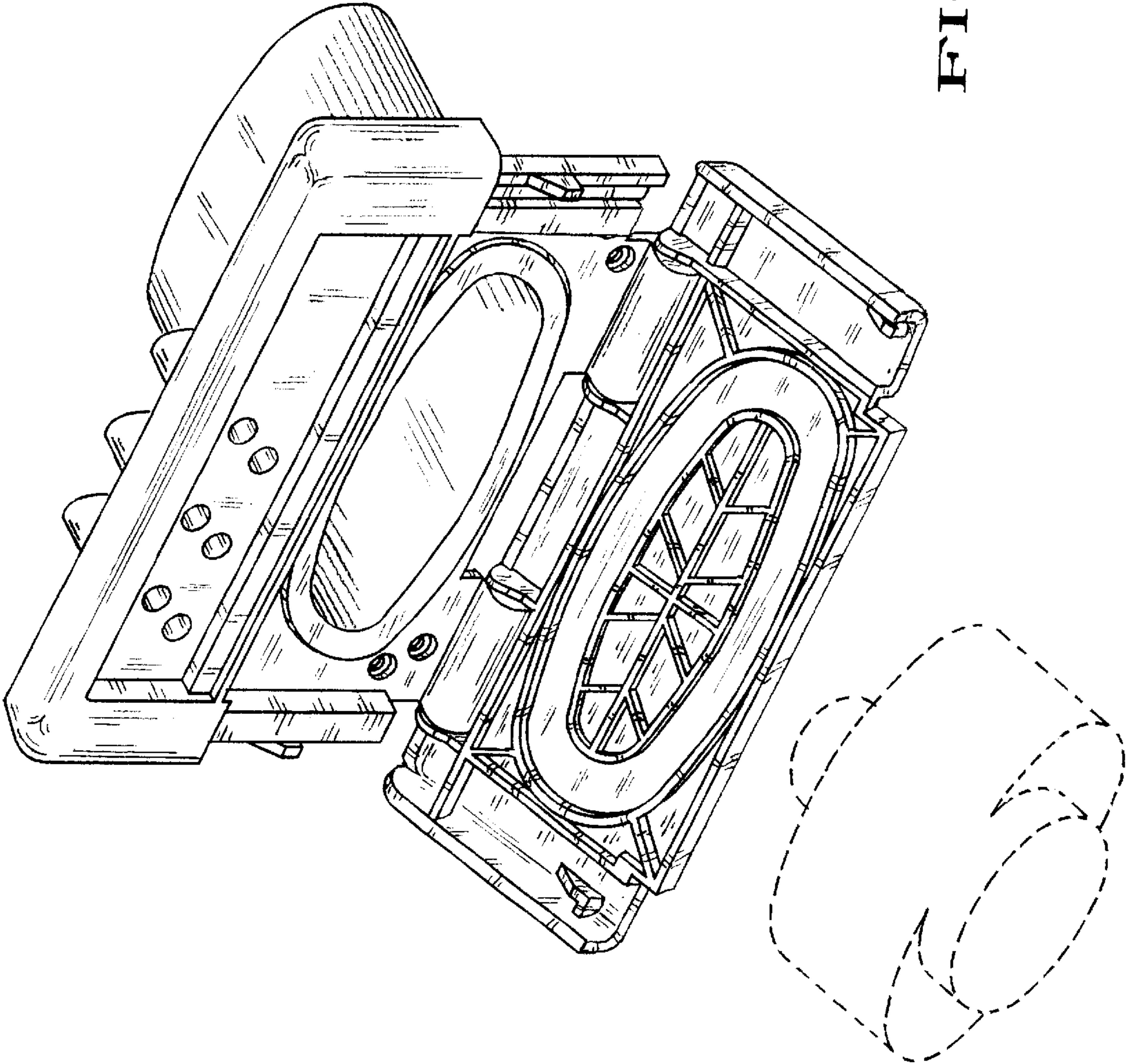


FIG. 1

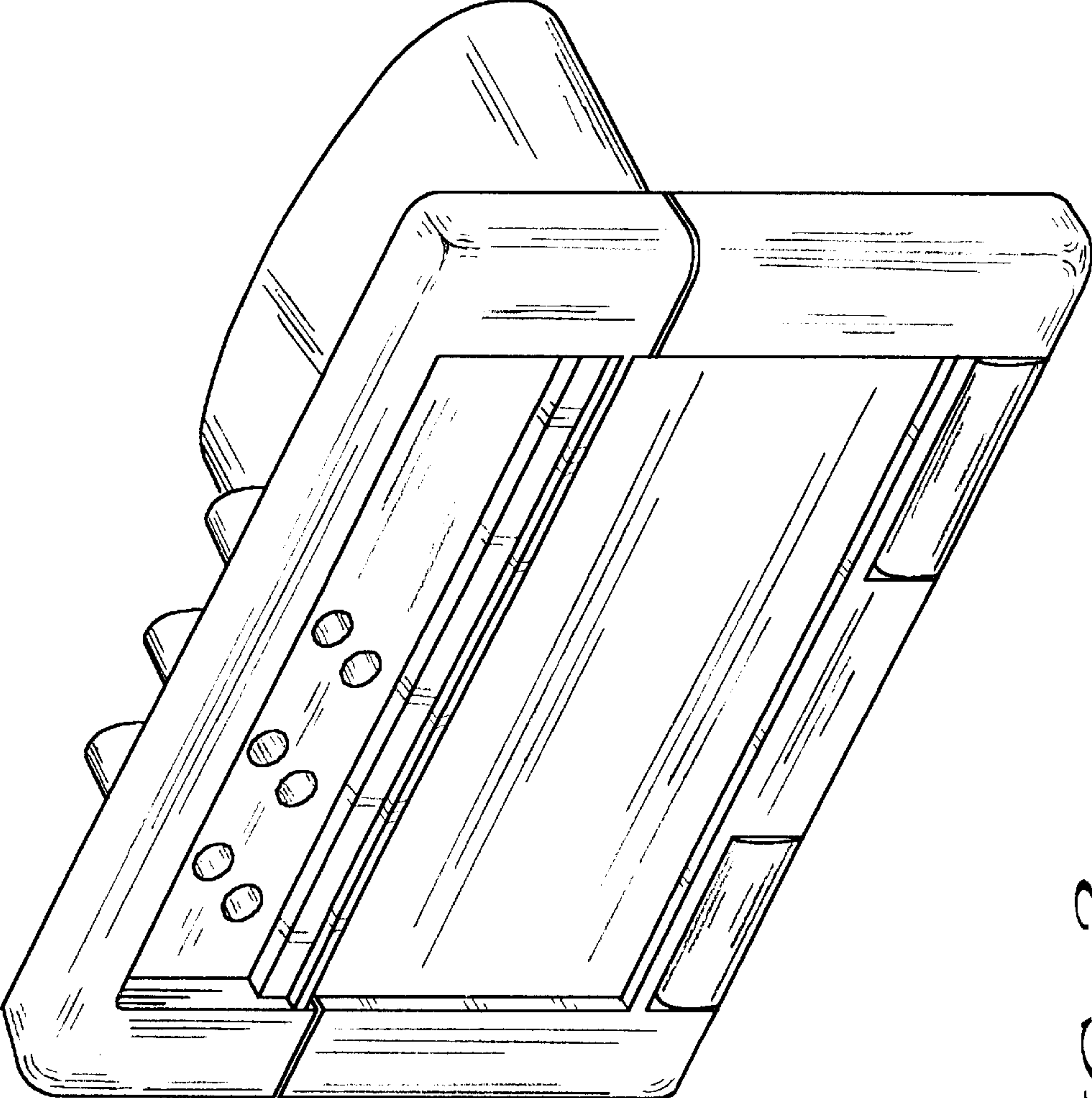


FIG. 2

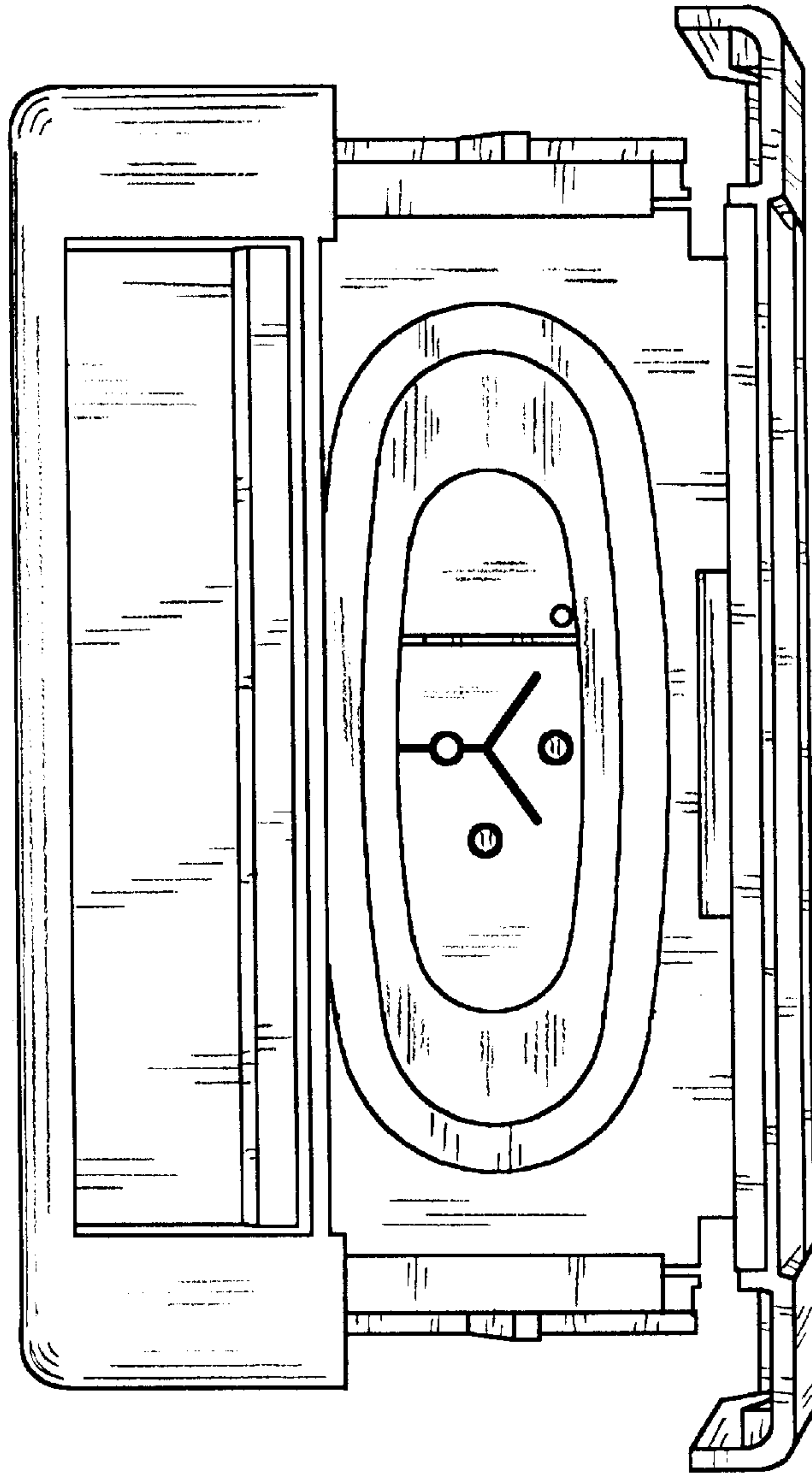


FIG. 3

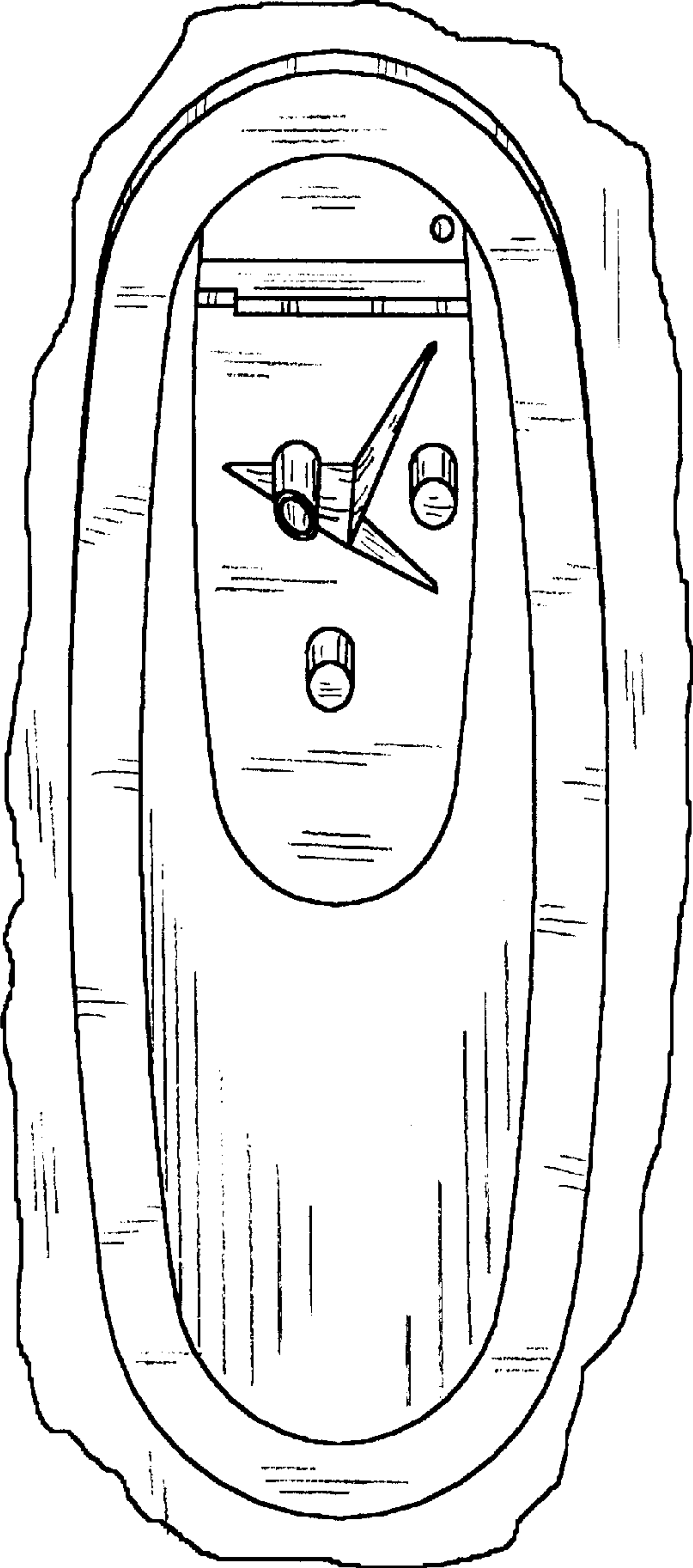


FIG. 4

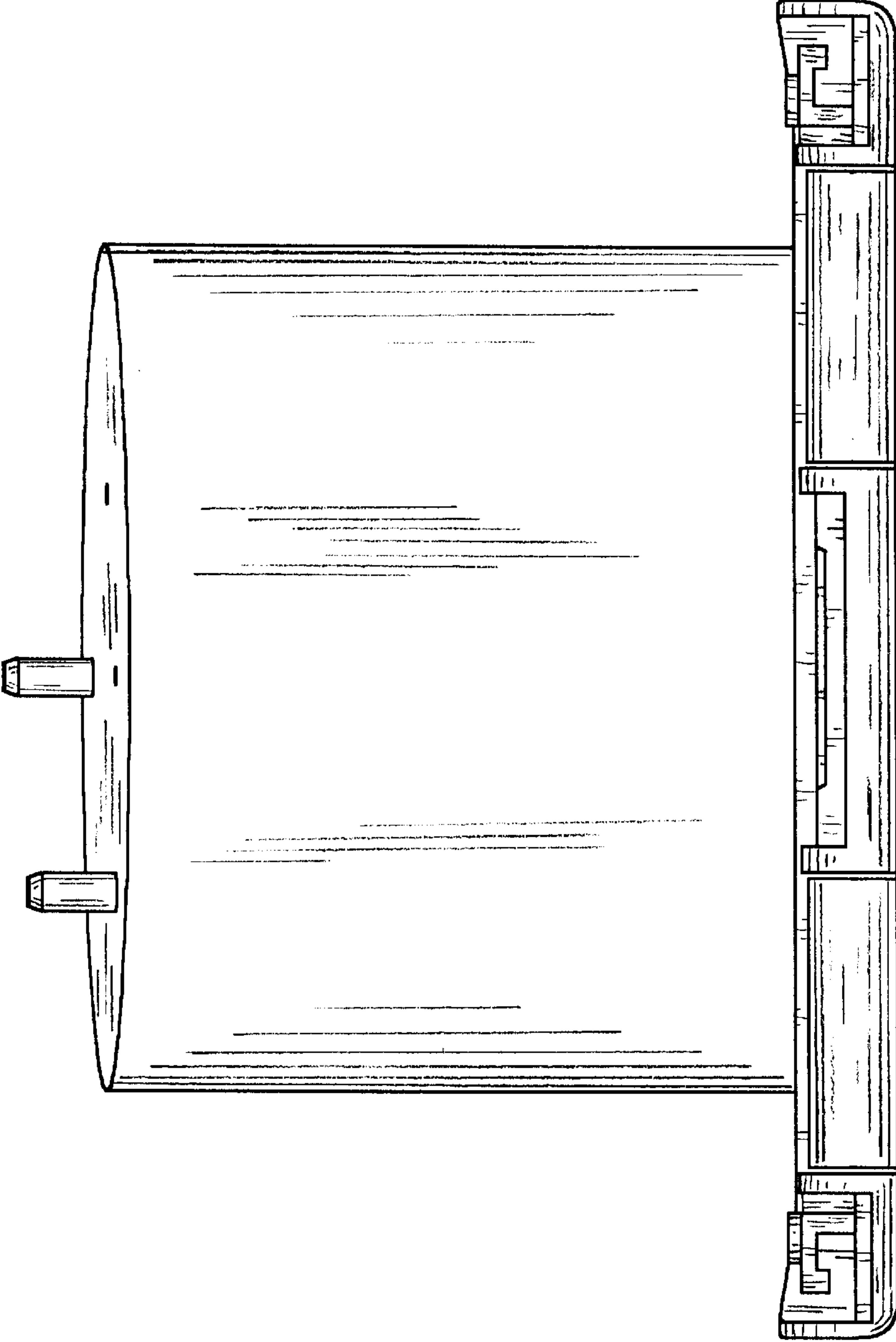


FIG. 5

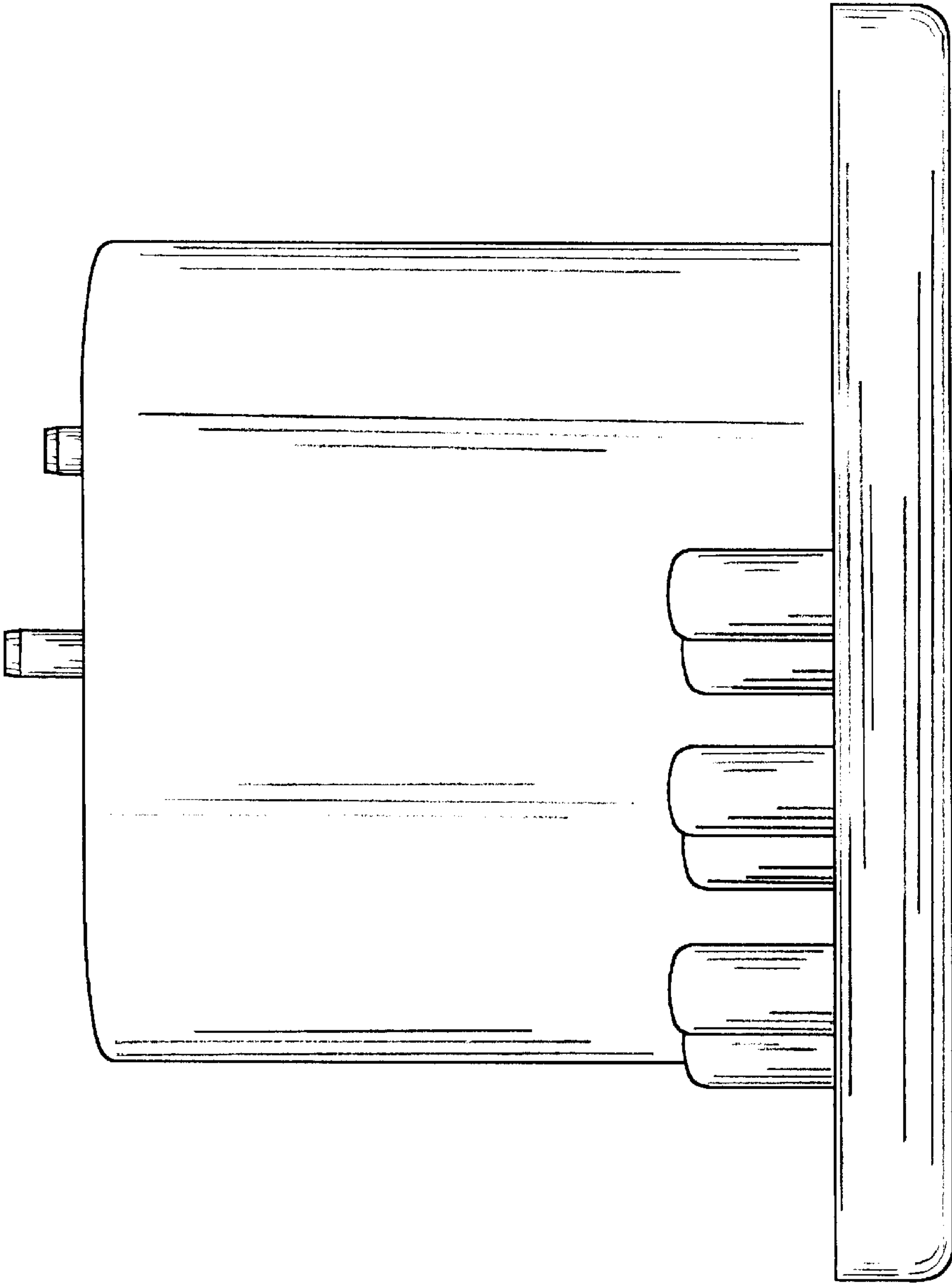


FIG. 6

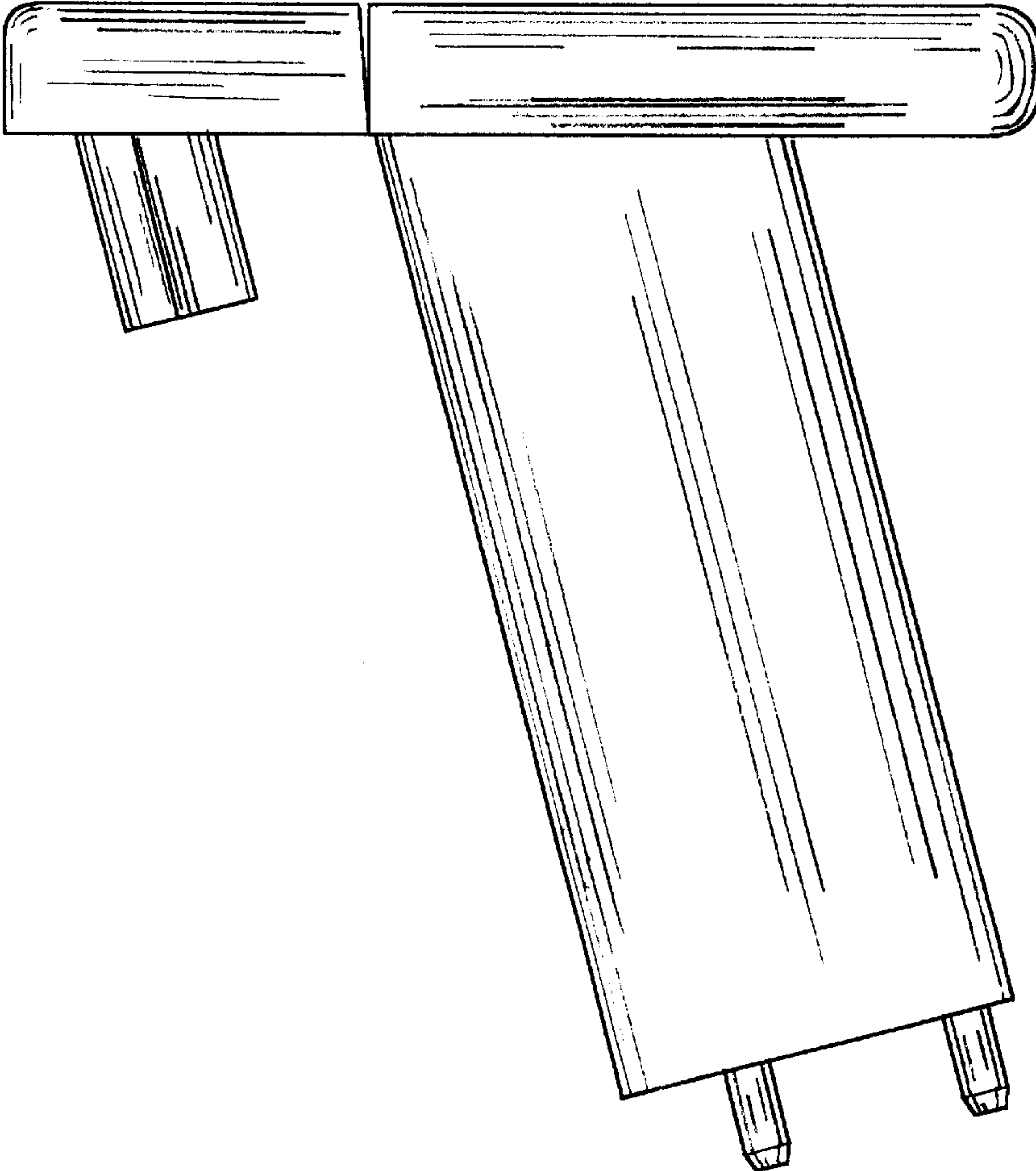


FIG. 7

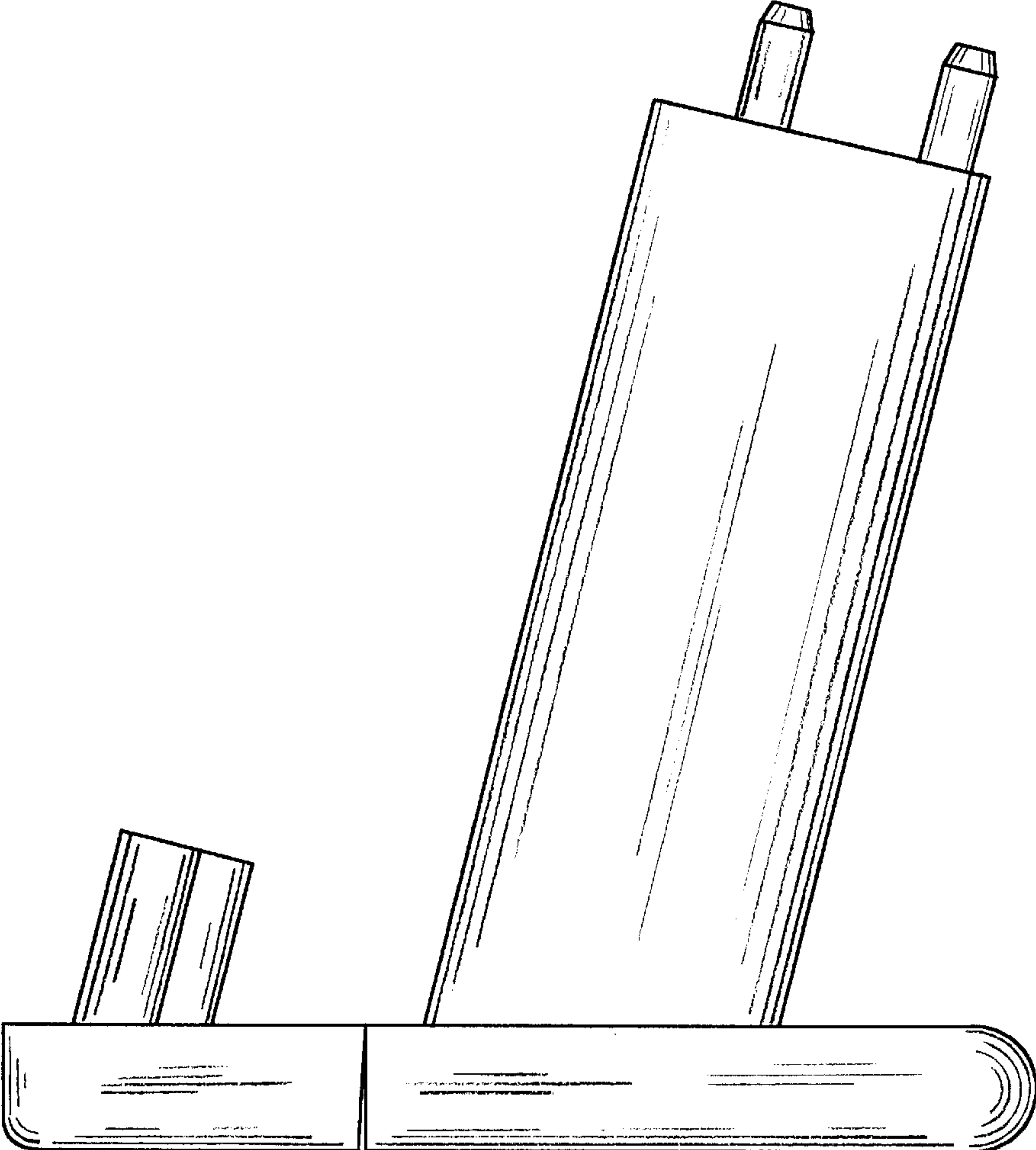


FIG. 8