

US00D493501S1

(12) **United States Design Patent**
Carattini

(10) **Patent No.:** **US D493,501 S**
(45) **Date of Patent:** **** Jul. 27, 2004**

(54) **COMBINED POOL TABLE AND AQUARIUM**

(76) Inventor: **Abraham Carattini**, 1035 S.
Hollenbeck, West Covina, CA (US)
91791

(**) Term: **14 Years**

(21) Appl. No.: **29/166,793**

(22) Filed: **Sep. 3, 2002**

(51) **LOC (7) Cl.** **06-03**

(52) **U.S. Cl.** **D21/783; D30/104; D30/102**

(58) **Field of Search** 473/1, 4, 6, 7,
473/28, 29; D11/145; D21/782, 783, 784,
483; D30/101-107; D6/480; 47/69; 119/245-263,
265-267, 269, 223-228, 206, 230, 210,
212-213, 216, 219, 242; 40/406-409

(56) **References Cited**

U.S. PATENT DOCUMENTS

901,206 A * 10/1908 Storey 473/1
D218,047 S * 7/1970 Schwoch et al. D30/104
D231,885 S * 6/1974 Kephart D6/480

4,027,878 A * 6/1977 Dadbeh 473/29
D260,567 S * 9/1981 Holec D30/104
D271,989 S * 12/1983 Painchaud et al. D21/784
D376,401 S * 12/1996 Lucas et al. D21/784
D426,033 S * 5/2000 Rooks D30/104
D473,278 S * 4/2003 McCormick et al. D21/784

* cited by examiner

Primary Examiner—Cathy Anne MacCormac
(74) *Attorney, Agent, or Firm*—Boniard I. Brown

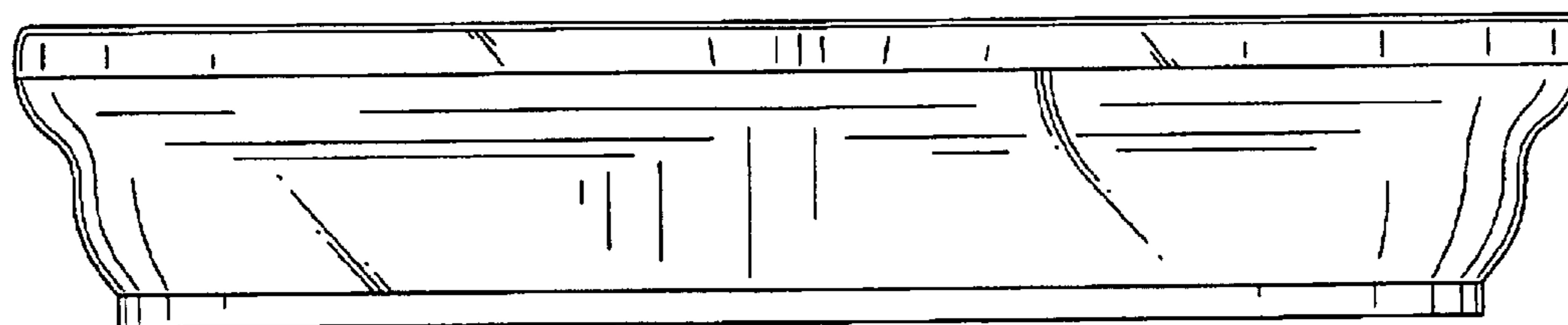
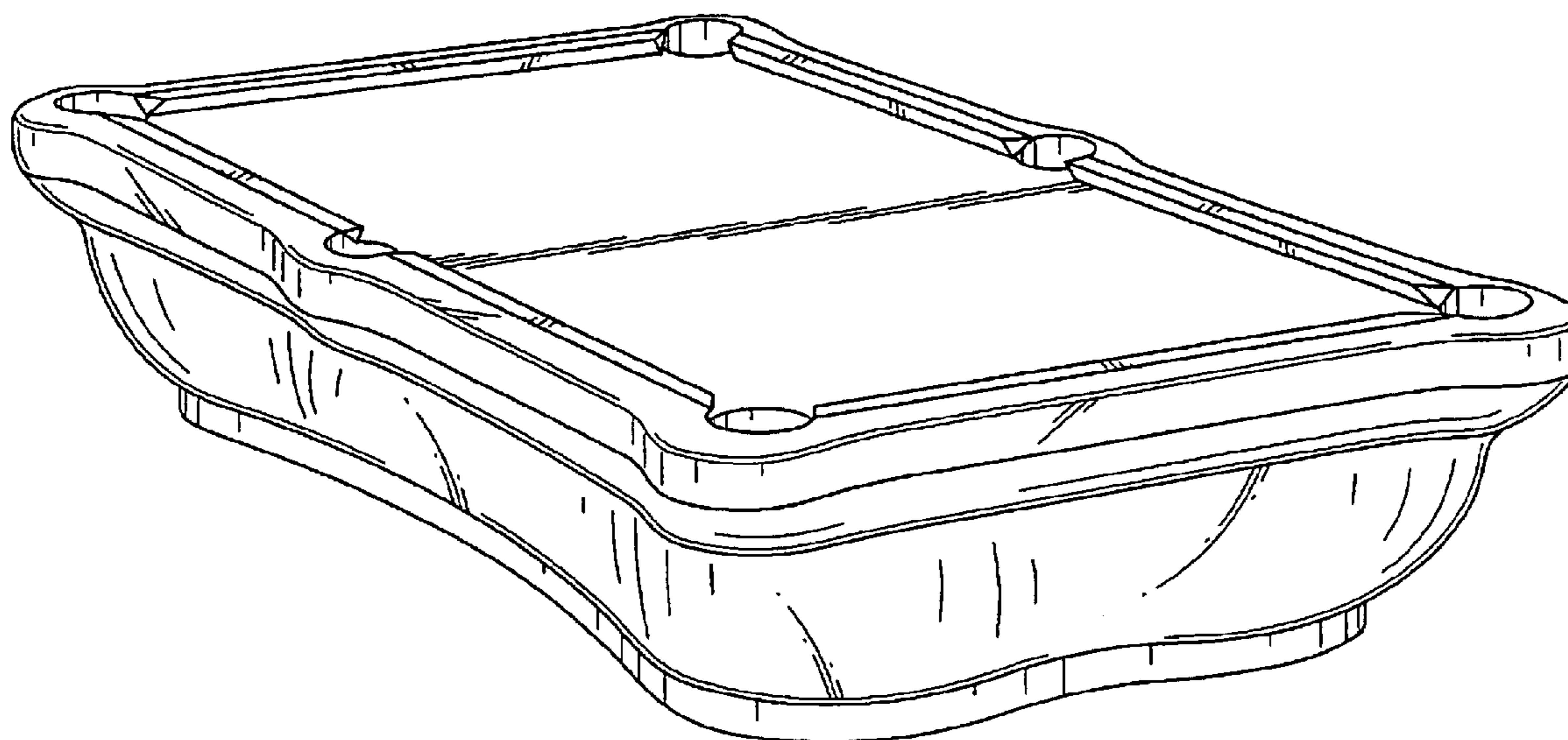
(57) **CLAIM**

The ornamental design for a pool table aquarium, as shown and described.

DESCRIPTION

FIG. 1 is a perspective view of a pool table aquarium showing my new design;
FIG. 2 is a side elevational view thereof, the opposite side being [a mirror image] identical;
FIG. 3 is an end view thereof, the opposite end being identical; and,
FIG. 4 is a top plan view thereof.

1 Claim, 2 Drawing Sheets



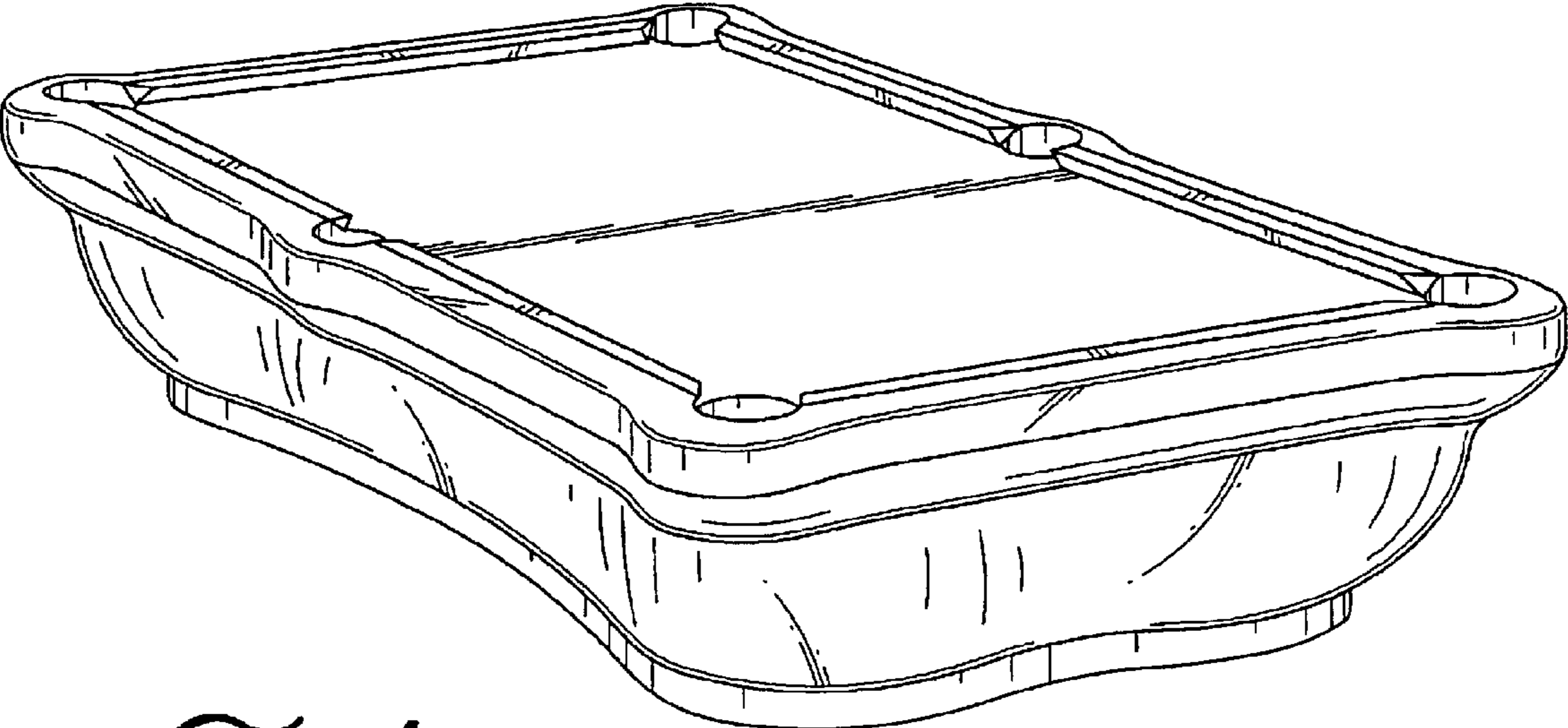


FIG. 1

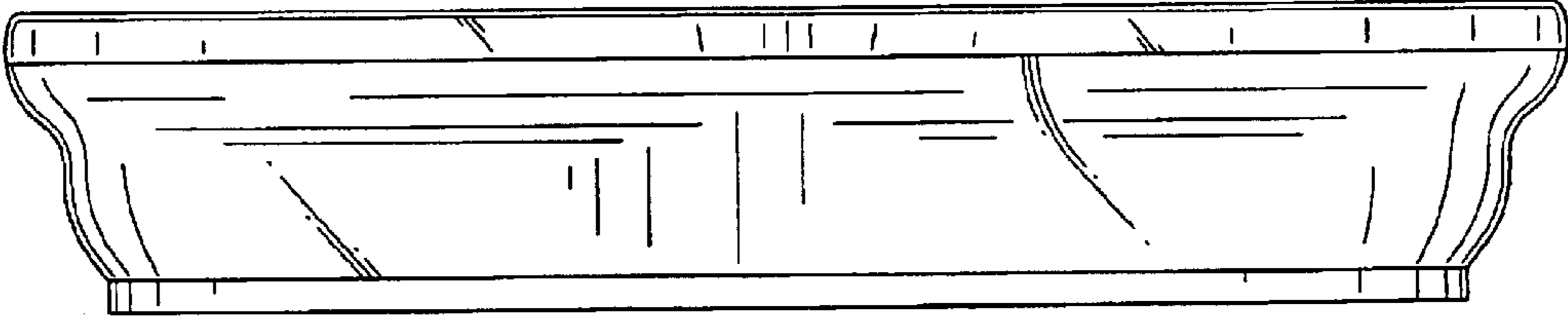


FIG. 2

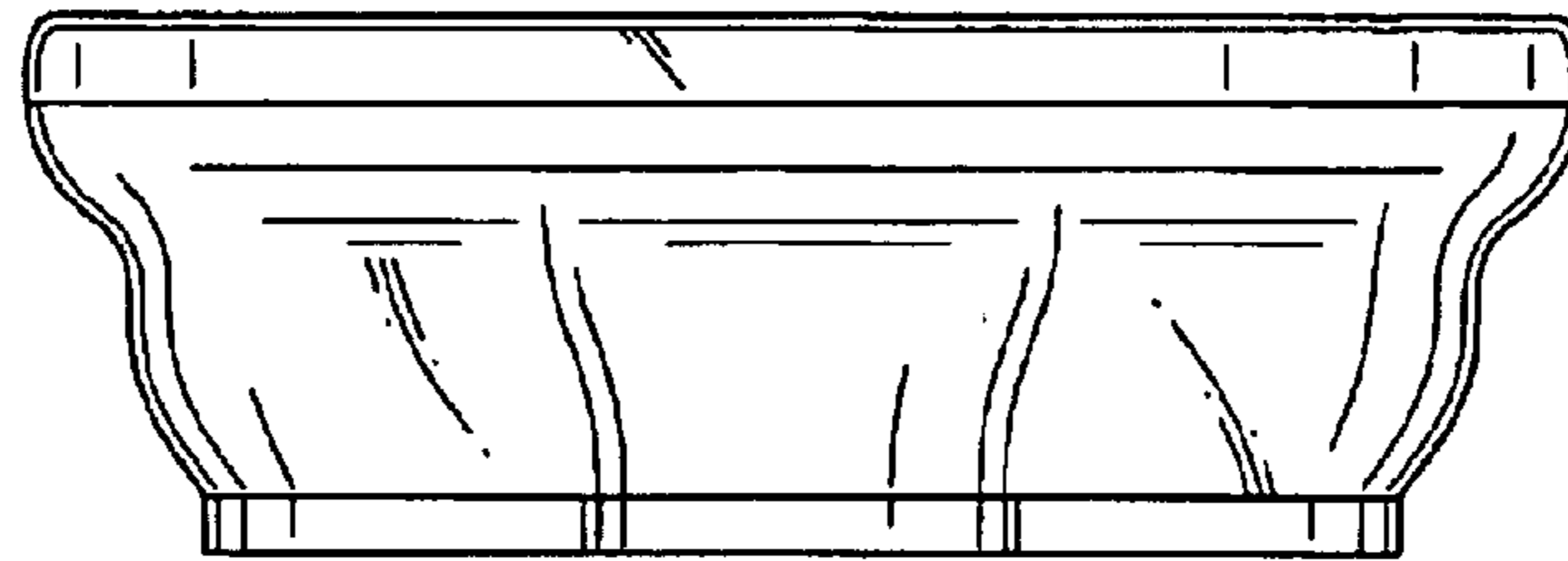


FIG. 3

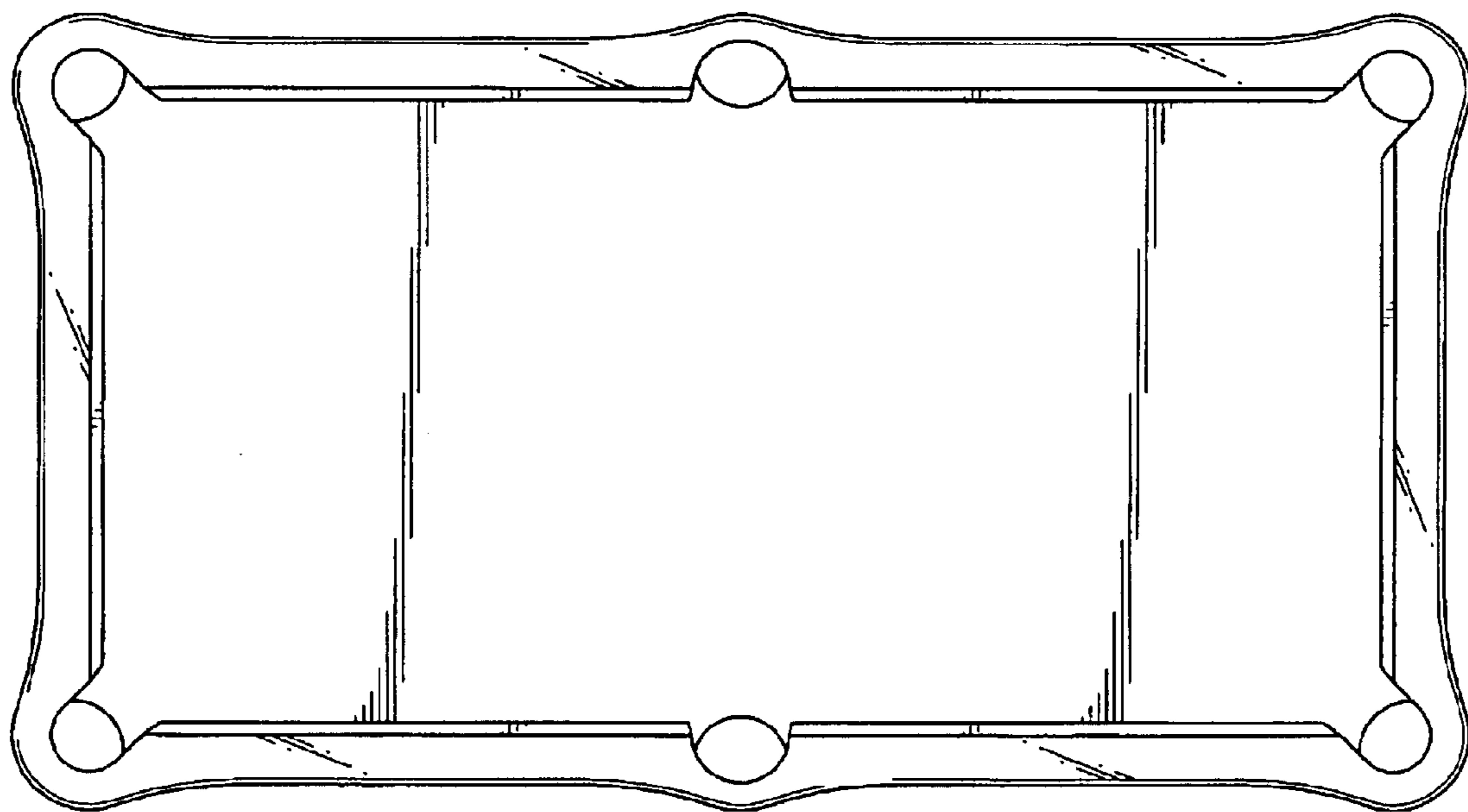


FIG. 4