

US00D493499S1

(12) **United States Design Patent**
Peng

(10) **Patent No.:** **US D493,499 S**

(45) **Date of Patent:** **** Jul. 27, 2004**

(54) **EXERCISING APPARATUS**

(75) Inventor: **Chih-Liang Peng**, Panchiao (TW)

(73) Assignee: **Prime Creative International Co., Ltd.**, Taipei Hsien (TW)

(**) Term: **14 Years**

(21) Appl. No.: **29/178,670**

(22) Filed: **Mar. 31, 2003**

(51) **LOC (7) Cl.** **21-02**

(52) **U.S. Cl.** **D21/662; D21/412**

(58) **Field of Search** D21/662, 811,
D21/814, 826, 412, 808; 472/129; 482/23,
77, 148; 446/29, 220, 221

(56) **References Cited**

U.S. PATENT DOCUMENTS

D212,243 S	*	9/1968	Bennett	D21/412
D223,675 S	*	5/1972	Raphael	D21/417
4,081,182 A	*	3/1978	O'Brien	482/77
4,336,931 A	*	6/1982	van Staden	472/129
4,718,661 A	*	1/1988	Wolfe	472/129
D335,165 S	*	4/1993	Lee	D21/412

D389,875 S	*	1/1998	Lin et al.	D21/412
D418,893 S	*	1/2000	Peng	D21/801

* cited by examiner

Primary Examiner—Philip S. Hyder

(74) *Attorney, Agent, or Firm*—Birch, Stewart, Kolasch & Birch, LLP

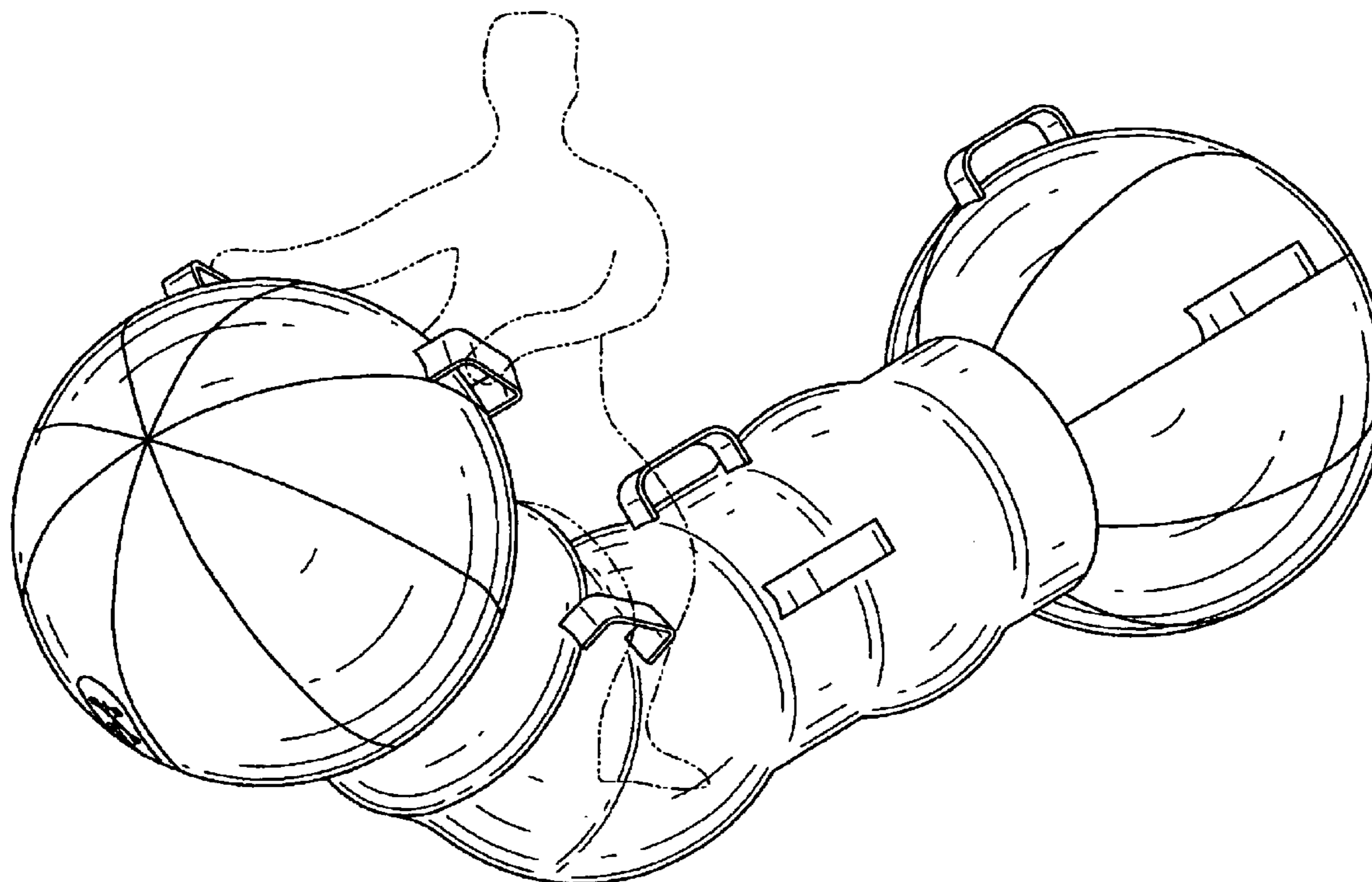
(57) **CLAIM**

The ornamental design for an exercising apparatus, as shown and described.

DESCRIPTION

FIG. 1 is a perspective view of an exercising apparatus showing my new design;
 FIG. 2 is a front elevational view thereof;
 FIG. 3 is a rear elevational view thereof;
 FIG. 4 is a left side elevational view thereof;
 FIG. 5 is a right side elevational view thereof;
 FIG. 6 is a top plan view thereof;
 FIG. 7 is a bottom plan view thereof; and,
 FIG. 8 is a perspective view thereof, wherein the broken line showing of the person is for illustrative purposes only and forms no part of the claimed design.

1 Claim, 7 Drawing Sheets



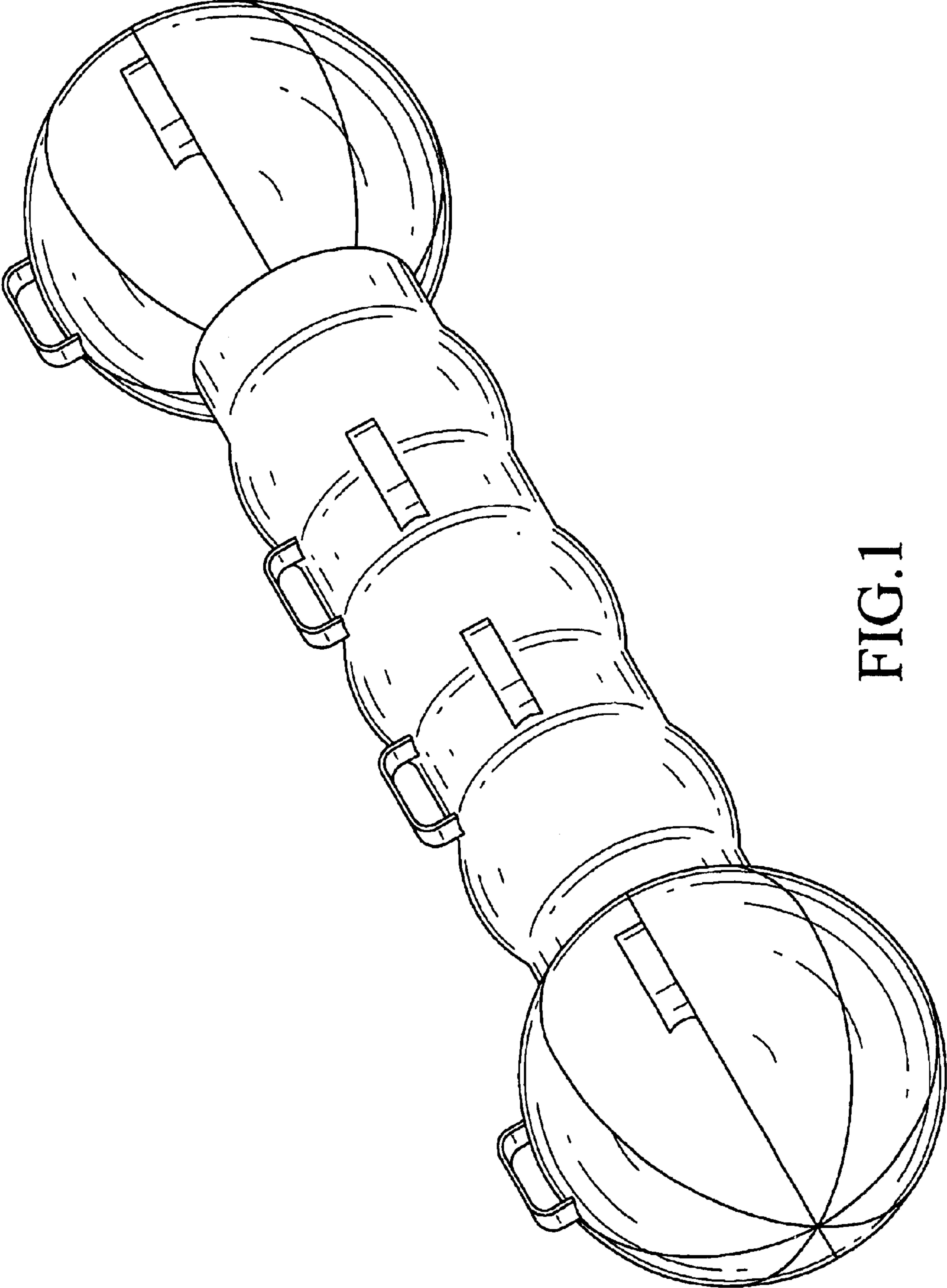


FIG. 1

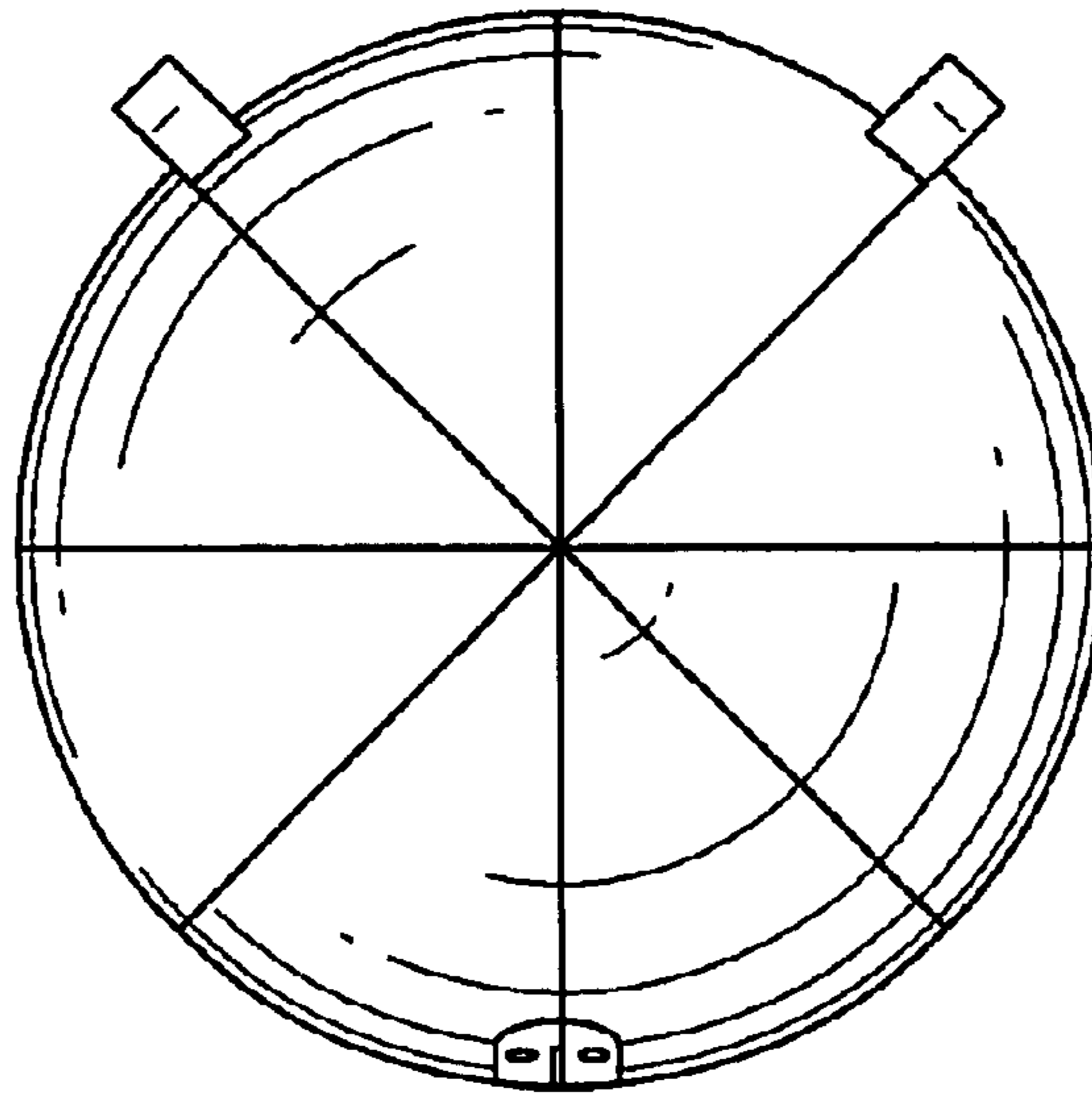


FIG. 2

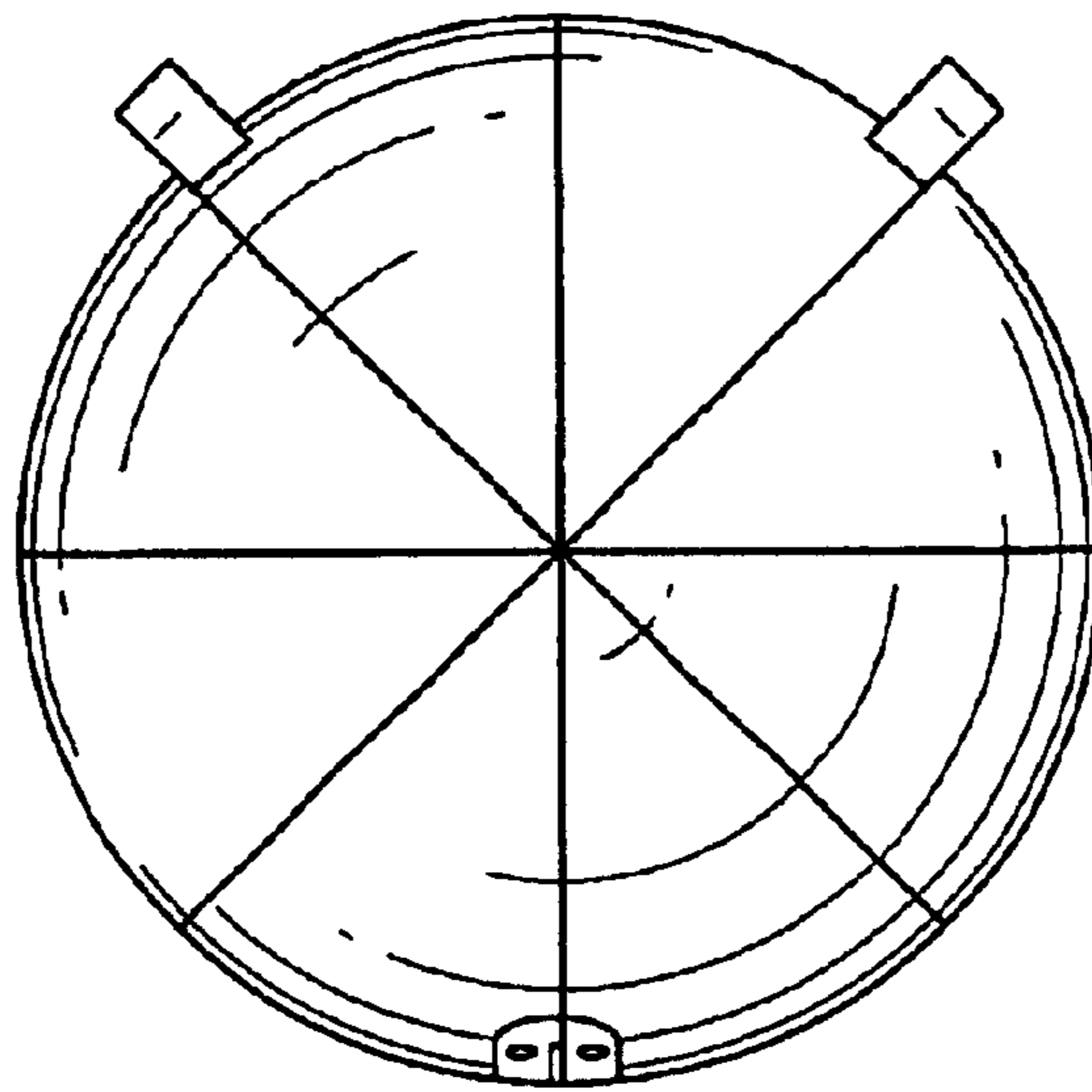


FIG. 3

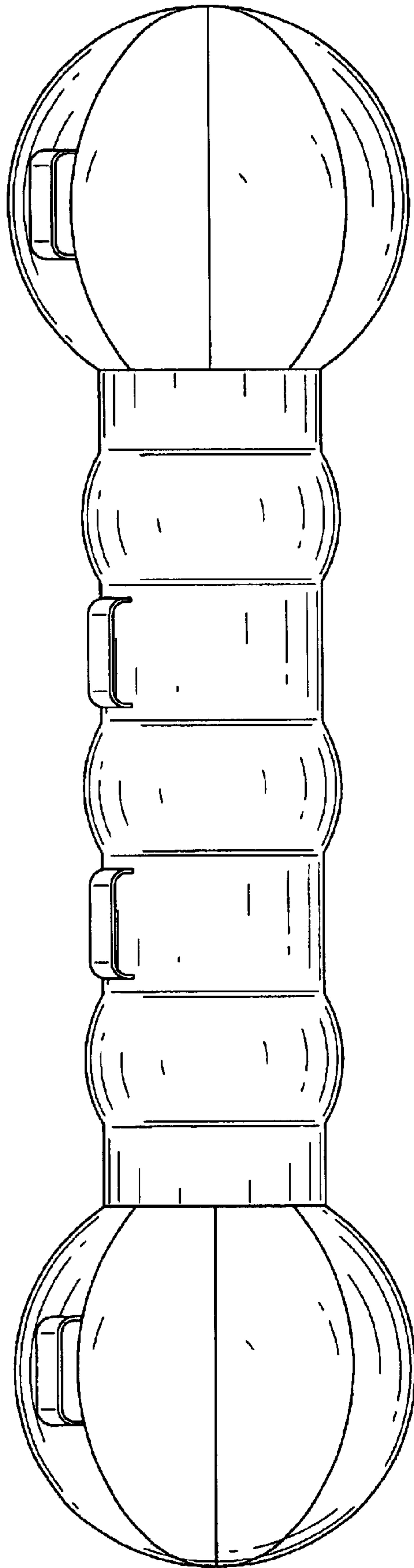


FIG.4

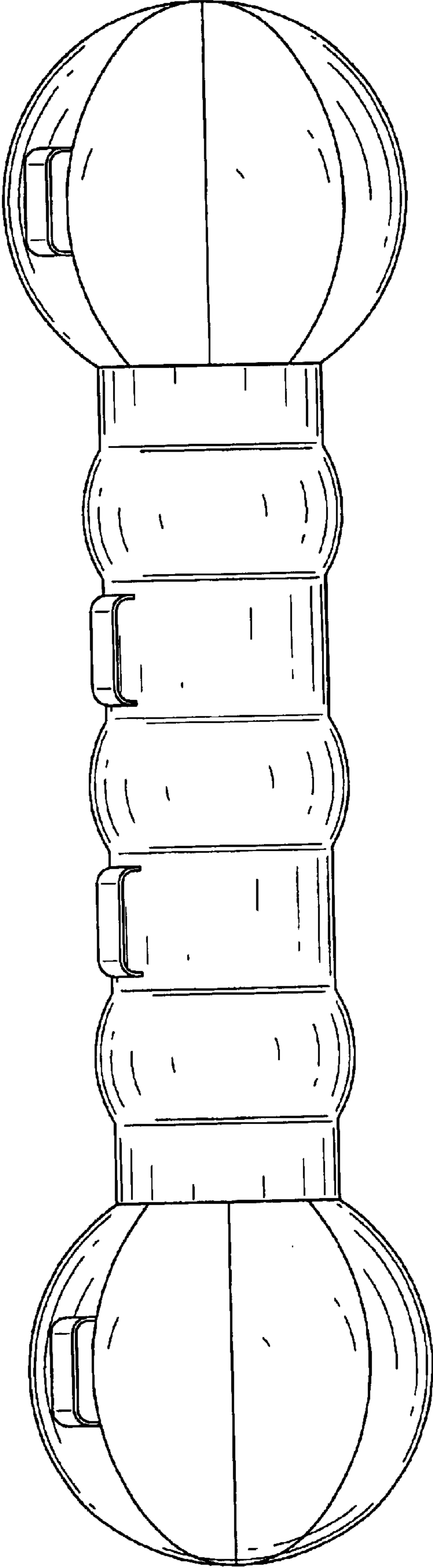


FIG.5

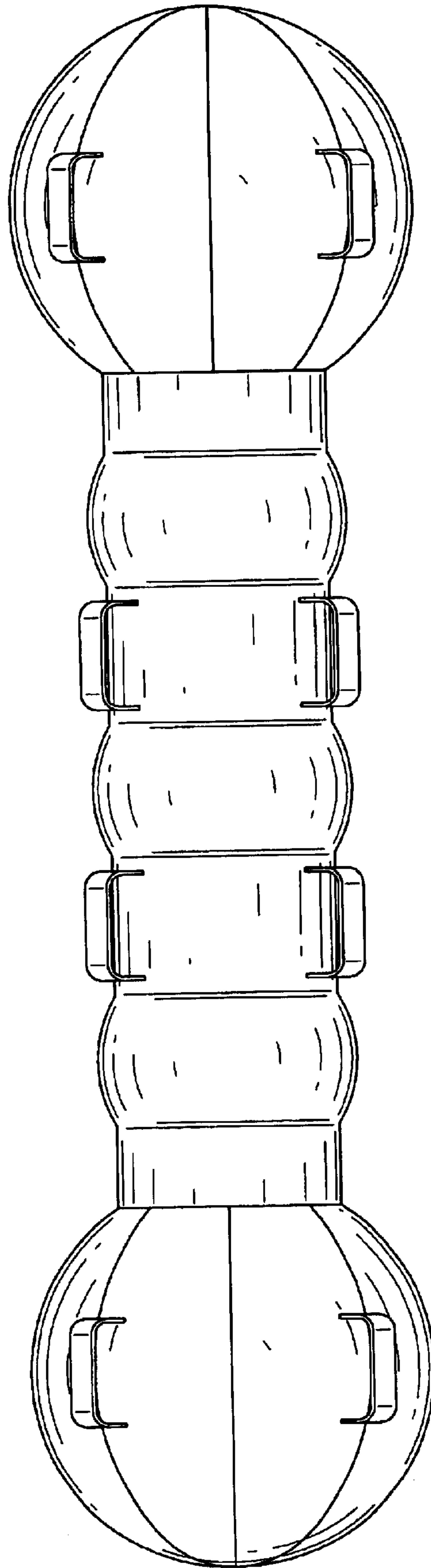


FIG.6

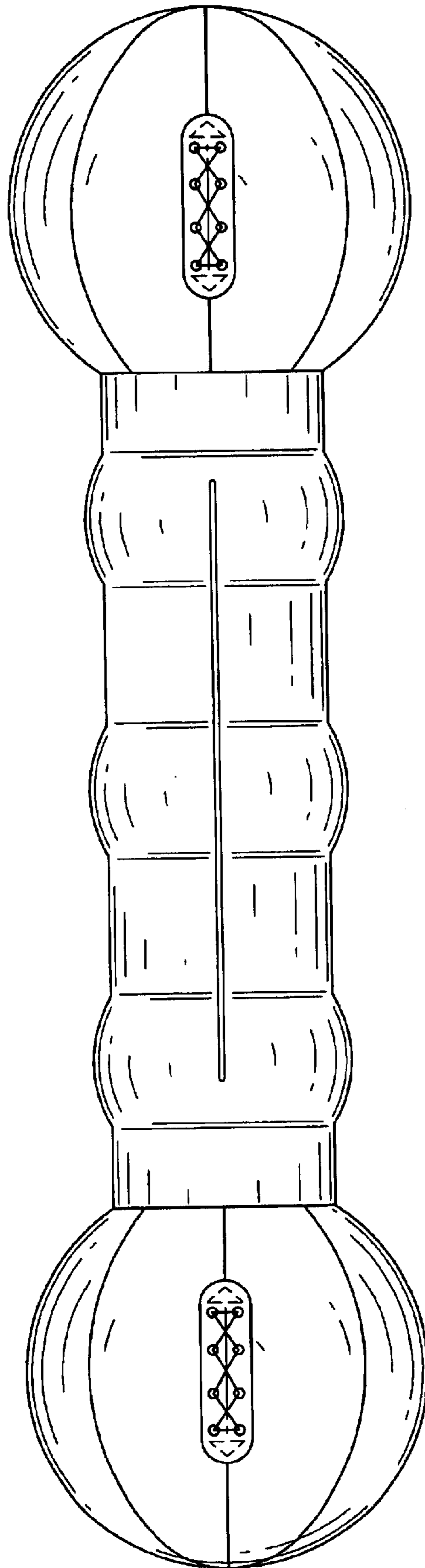


FIG. 7

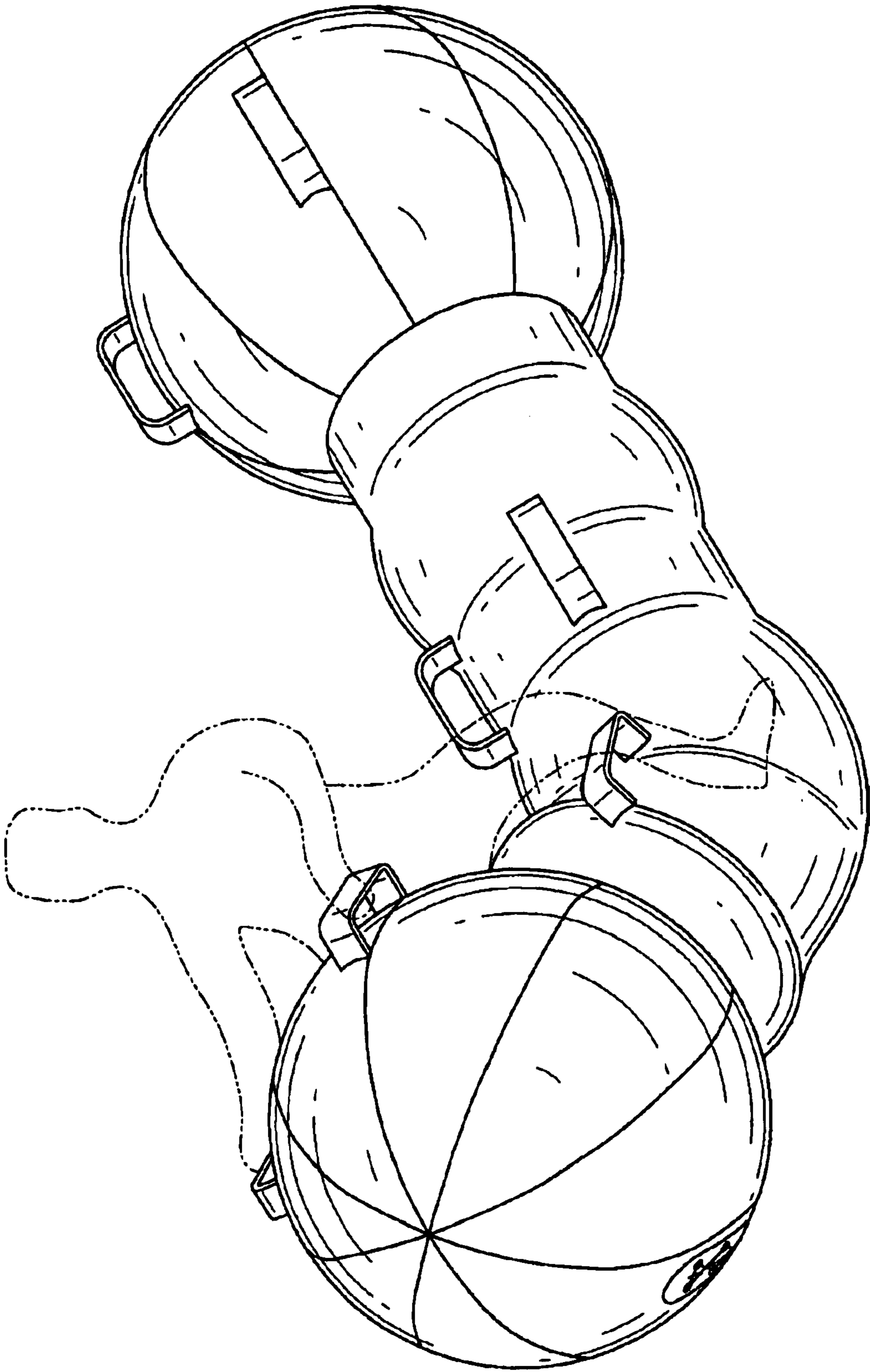


FIG. 8