

US00D493493S1

(12) **United States Design Patent**  
**Howard**

(10) **Patent No.:** **US D493,493 S**  
(45) **Date of Patent:** **\*\* Jul. 27, 2004**

(54) **LABELED KEY TAG**

(76) **Inventor:** **Raymond W. Howard**, 7890 Dunbrook Rd., San Diego, CA (US) 92126-4369

(\*\*) **Term:** **14 Years**

(21) **Appl. No.:** **29/187,009**

(22) **Filed:** **Jul. 25, 2003**

(51) **LOC (7) Cl.** ..... **19-08**

(52) **U.S. Cl.** ..... **D20/27**

(58) **Field of Search** ..... D20/10, 13, 15, D20/17, 22, 27, 28-29, 39-42, 99; D12/193; 40/299.01, 330, 549, 606.18, 606.19, 607.13, 611.05, 612, 624, 642.01, 651; 362/812; D3/207, 208; D11/7

(56) **References Cited**

**U.S. PATENT DOCUMENTS**

D99,928 S	*	6/1936	Chernow	.....	D11/43
D163,024 S	*	4/1951	Chernow	.....	D11/81
D196,318 S	*	9/1963	Stalley, Jr.	.....	D11/81
D221,118 S	*	7/1971	Chambers	.....	D20/22
D262,895 S	*	2/1982	Szabo	.....	D20/27
D273,722 S	*	5/1984	Brentini	.....	D3/207
D276,096 S	*	10/1984	Brentini	.....	D3/207
5,060,794 A	*	10/1991	Linn et al.	.....	206/232

D340,005 S	*	10/1993	Butler, Jr.	.....	D11/80
D349,400 S	*	8/1994	Beainger	.....	D3/208
D352,600 S	*	11/1994	Steeley	.....	D3/208
D369,020 S	*	4/1996	MacDonald	.....	D3/207
D369,902 S	*	5/1996	Petruzzi	.....	D3/208
D380,084 S	*	6/1997	Kebarian	.....	D3/207
D439,037 S	*	3/2001	Kebarian	.....	D3/207
D444,941 S	*	7/2001	Pisarevsky	.....	D3/207
D475,317 S	*	6/2003	Fernandez	.....	D11/79

\* cited by examiner

*Primary Examiner*—Robert M. Spear

(74) *Attorney, Agent, or Firm*—Murphey & Murphey, A.P.C.

(57) **CLAIM**

The ornamental design for an labeled key tag, as shown.

**DESCRIPTION**

FIG. 1 is a front elevational view of a labeled key tag, showing my new design;

FIG. 2 is a front elevational view of a second embodiment thereof;

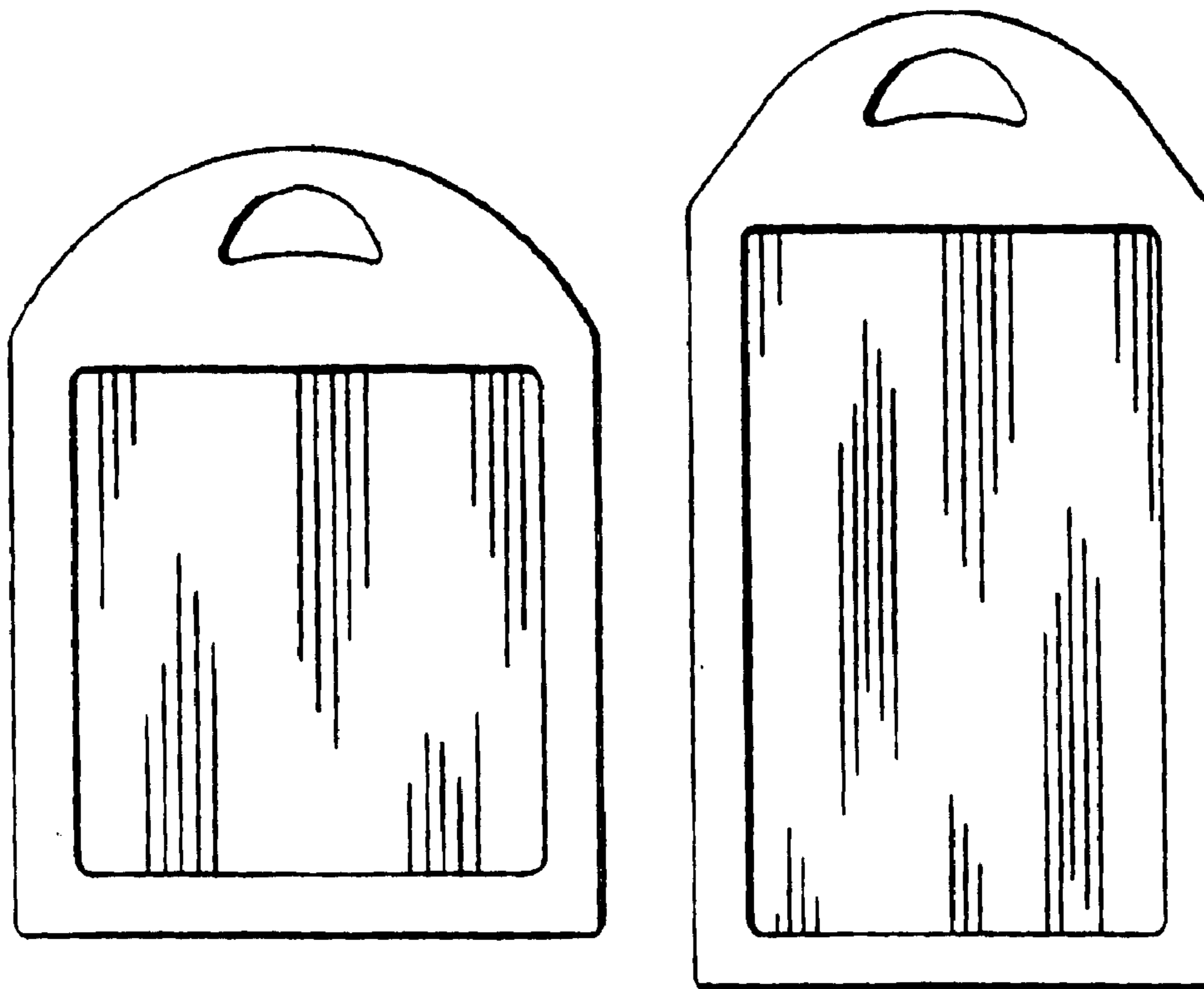
FIG. 3 is a top plan view thereof;

FIG. 4 is a bottom plan view thereof;

FIG. 5 is a top front perspective view thereof; and,

FIG. 6 is a side elevational view thereof.

**1 Claim, 2 Drawing Sheets**



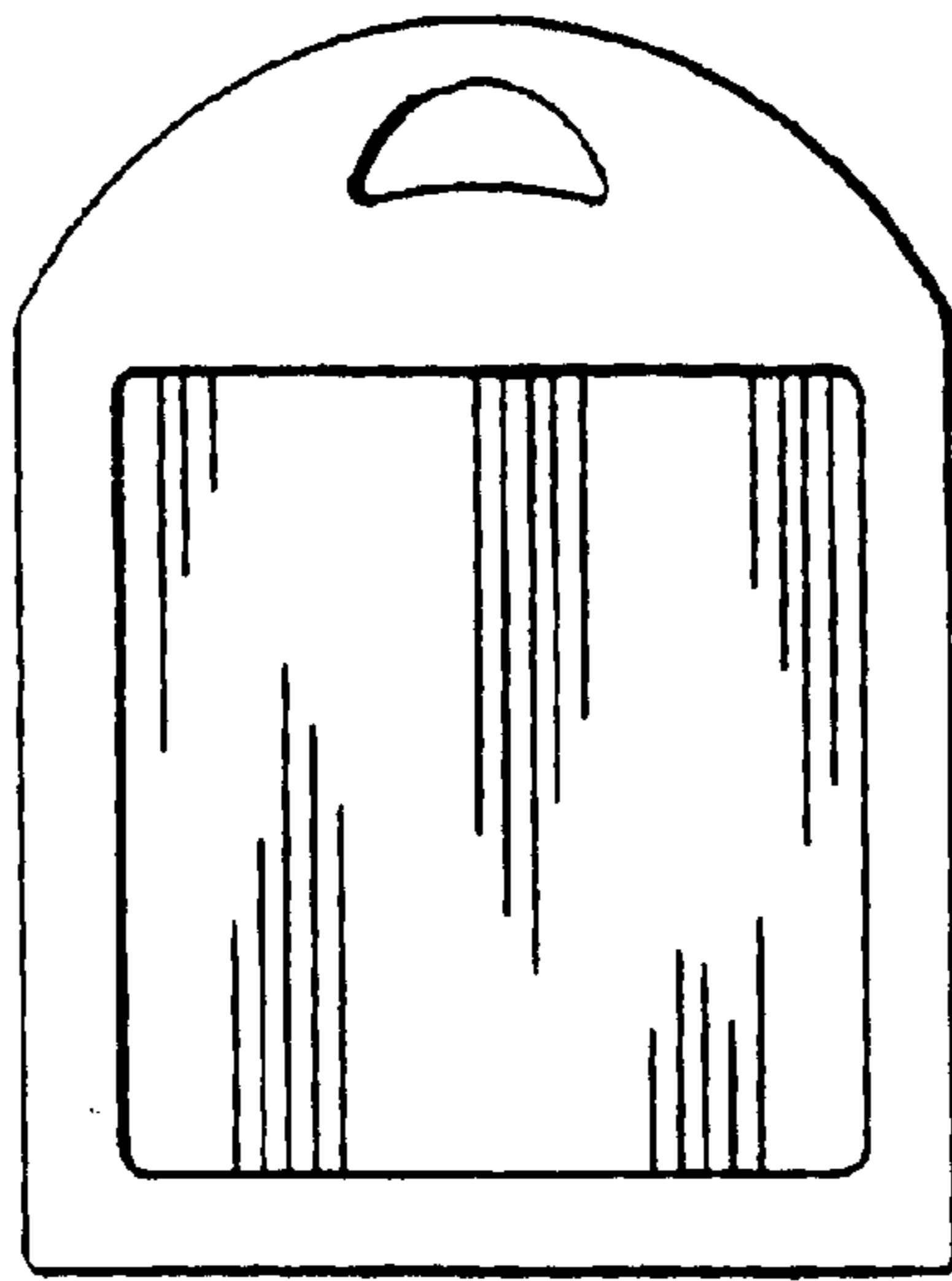


Figure 1

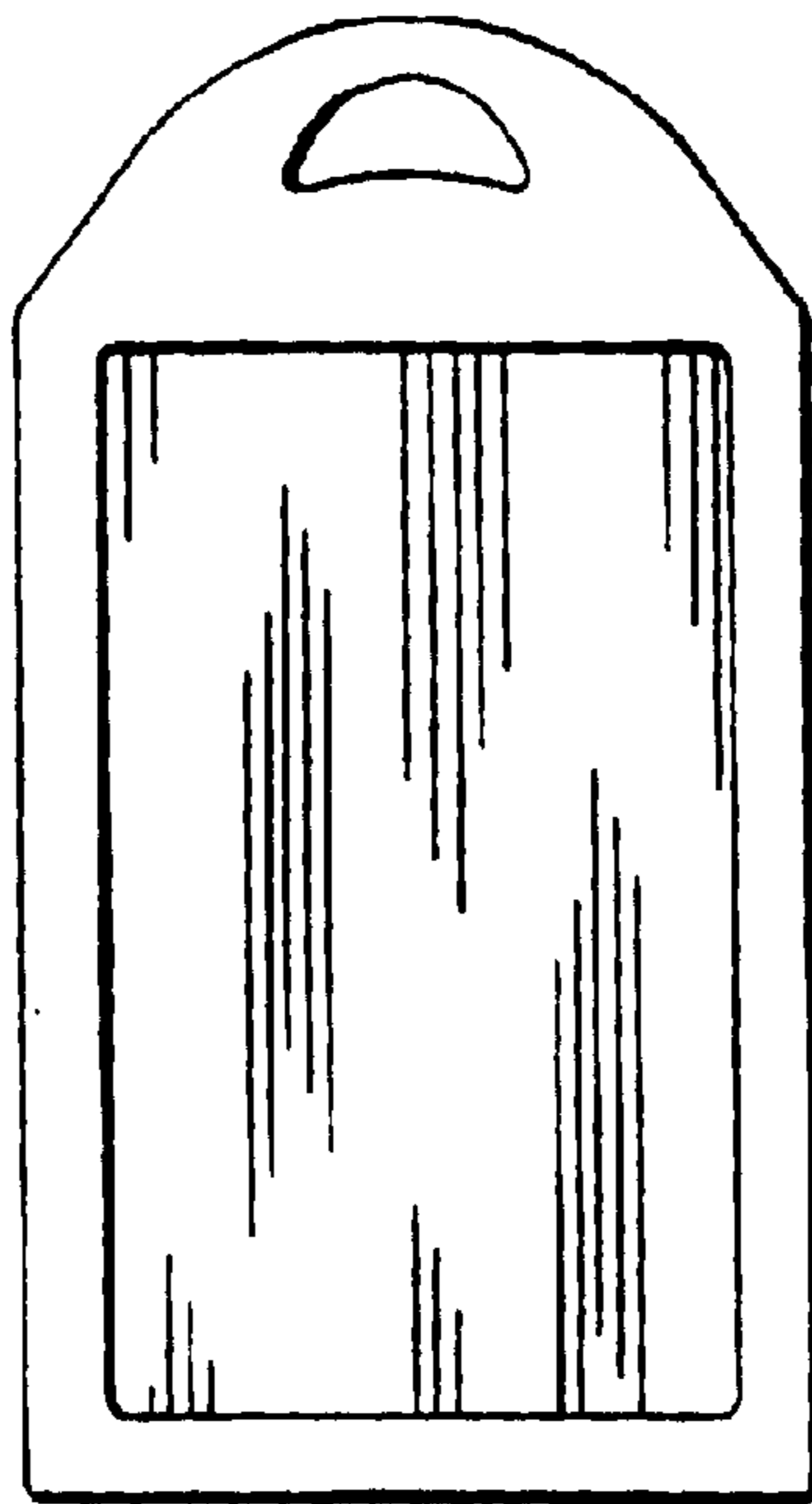


Figure 2



Figure 3



Figure 4

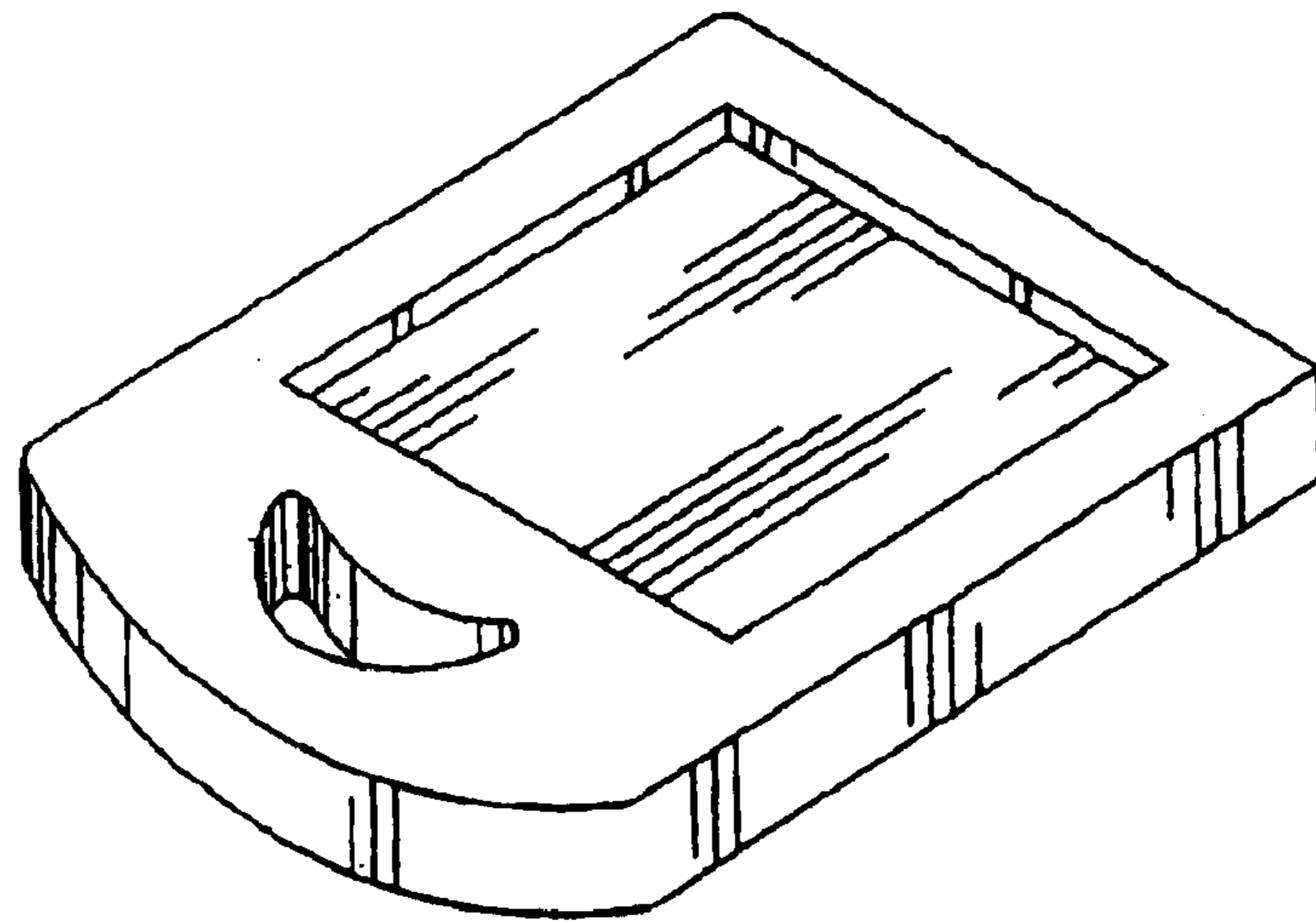


Figure 5

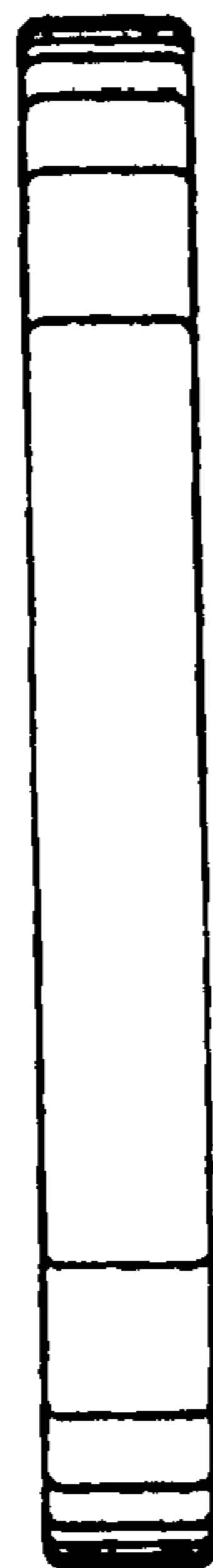


Figure 6