



US00D493483S1

(12) **United States Design Patent** (10) **Patent No.:** **US D493,483 S**
Wehmeyer et al. (45) **Date of Patent:** **** Jul. 27, 2004**

- (54) **BINDER OR THE LIKE**
- (75) Inventors: **Stephen D. Wehmeyer**, Cincinnati, OH (US); **Michael K. Brann**, Dayton, OH (US)
- (73) Assignee: **MeadWestvaco Corporation**, Stamford, CT (US)
- (**) Term: **14 Years**
- (21) Appl. No.: **29/193,983**
- (22) Filed: **Nov. 17, 2003**

Related U.S. Application Data

- (62) Division of application No. 29/183,340, filed on Jun. 11, 2003.
- (51) **LOC (7) Cl.** **19-04**
- (52) **U.S. Cl.** **D19/26; D3/303**
- (58) **Field of Search** D3/301, 276, 303, D3/900, 247, 252; D19/26-28, 32, 33; 281/15.1, 1, 3, 4, 19.1, 19.2, 21.1, 27.1-27.3, 28-32, 35, 38, 44, 51; 402/31-36, 69, 73-79, 80 P, 80 R, 500-503

References Cited

U.S. PATENT DOCUMENTS

- D353,713 S * 12/1994 Kumashiro D3/276
- D393,368 S * 4/1998 Wyant D3/303
- D397,870 S * 9/1998 De Winter D3/900 X
- D401,410 S * 11/1998 Wyant D19/26 X
- D414,801 S * 10/1999 Karten et al. D19/27
- 6,030,140 A * 2/2000 Karten et al. 402/73
- D424,615 S * 5/2000 Wyant D19/32

- D435,591 S * 12/2000 Wyant D19/27
- D459,391 S * 6/2002 Huang D19/27
- D486,854 S * 2/2004 Wehmeyer et al. D19/26

* cited by examiner

Primary Examiner—Martie K. Holtje
 (74) *Attorney, Agent, or Firm*—Thompson Hine LLP

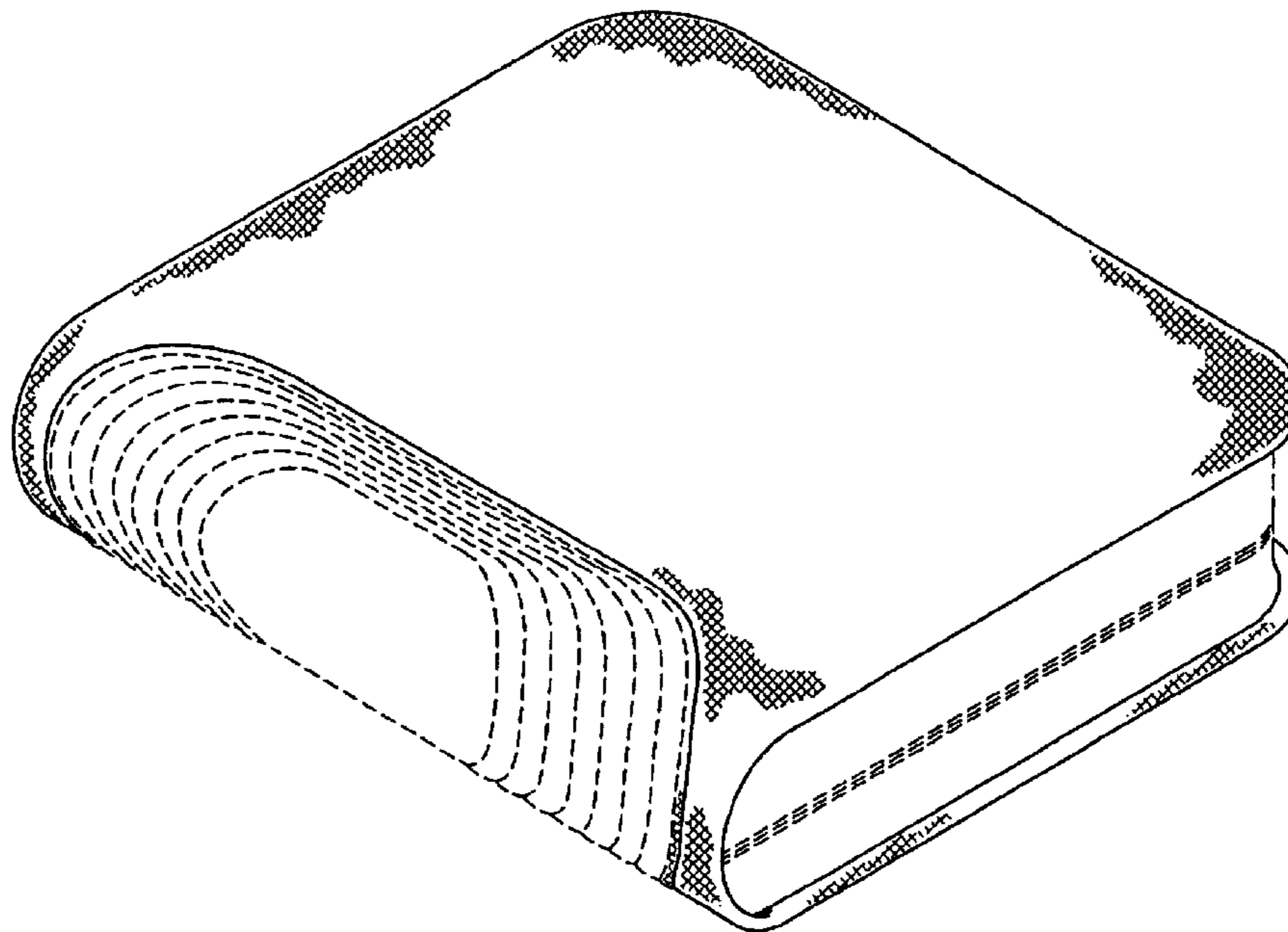
(57) **CLAIM**

The design for a binder or the like, as shown and described.

DESCRIPTION

FIG. 1 is a rear perspective view of one embodiment of the binder or the like of the present invention; FIG. 2 is a top view of the binder of FIG. 1, the bottom view being identical thereto; FIG. 3 is a front end view of the binder of FIG. 1; FIG. 4 is a rear end view of the binder of FIG. 1; FIG. 5 is a left side view of the binder of FIG. 1, the right side view being identical thereto; and FIG. 6 is a top view of the back of the binder of FIG. 1, with the binder in its fully opened position. FIG. 7 is a rear perspective view of another embodiment of the binder or the like of the present invention; FIG. 8 is a top view of the binder of FIG. 7, the bottom view being identical thereto; FIG. 9 is a front end view of the binder of FIG. 7; FIG. 10 is a rear end view of the binder of FIG. 7; FIG. 11 is a left side view of the binder of FIG. 7, the right side view being identical thereto; and, FIG. 12 is a top view of the back of the binder of FIG. 7, with the binder in its fully open position. The hidden lines are for illustrative purposes only and do not constitute any part of the claimed design.

1 Claim, 6 Drawing Sheets



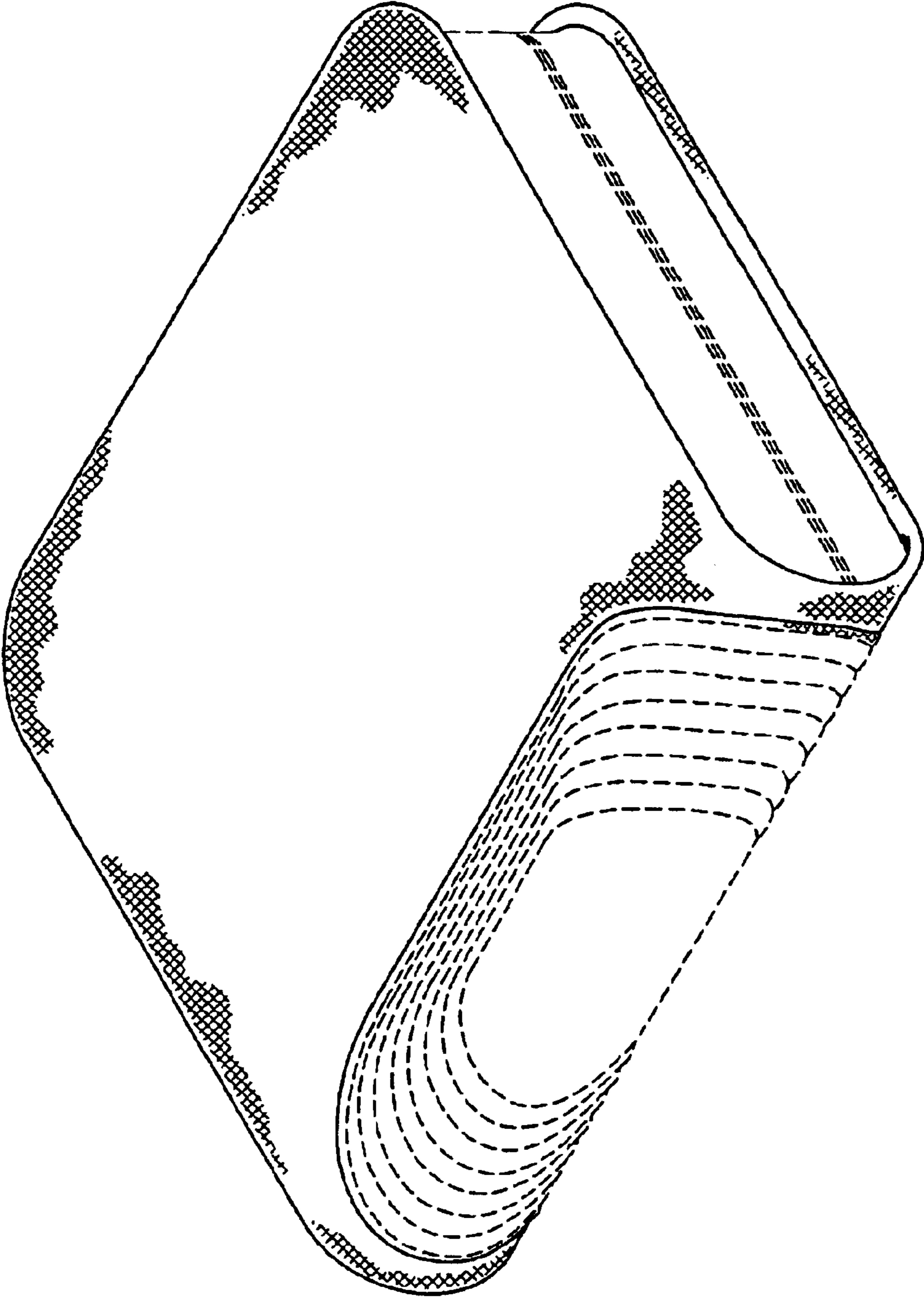


FIG. 1

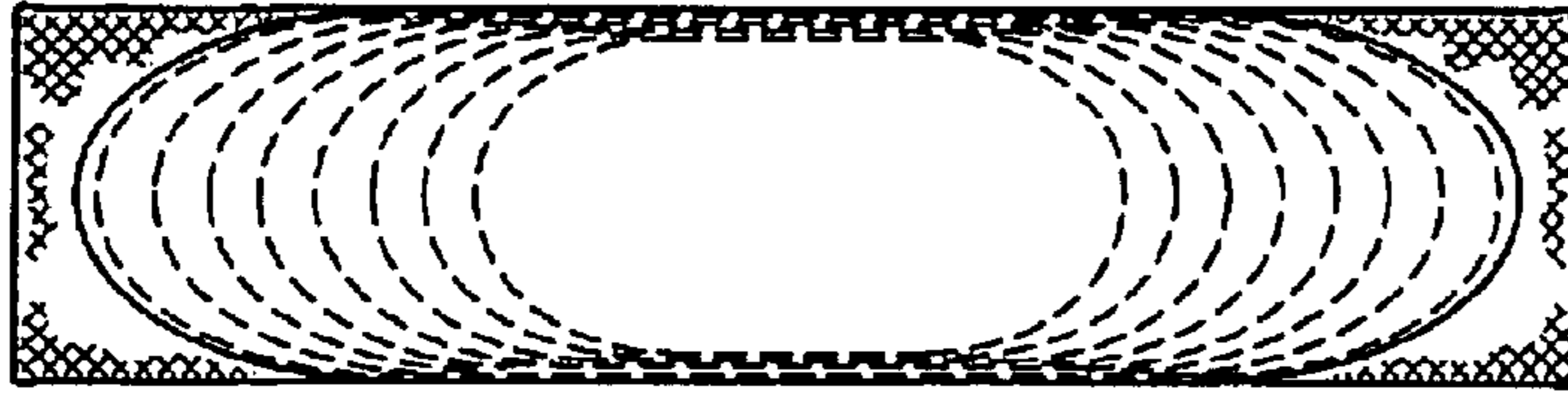


FIG. 4

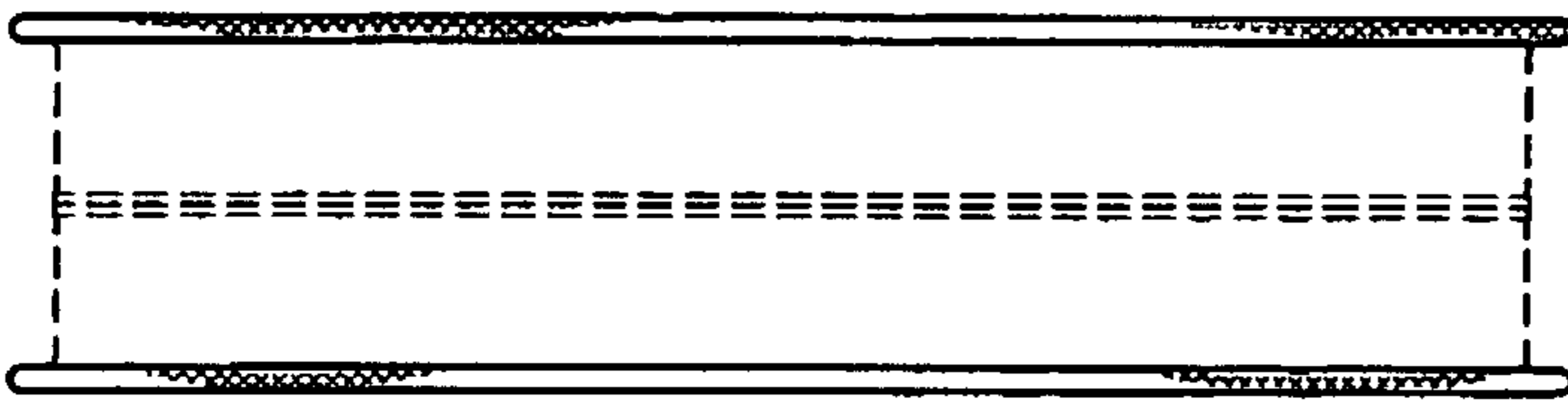


FIG. 3

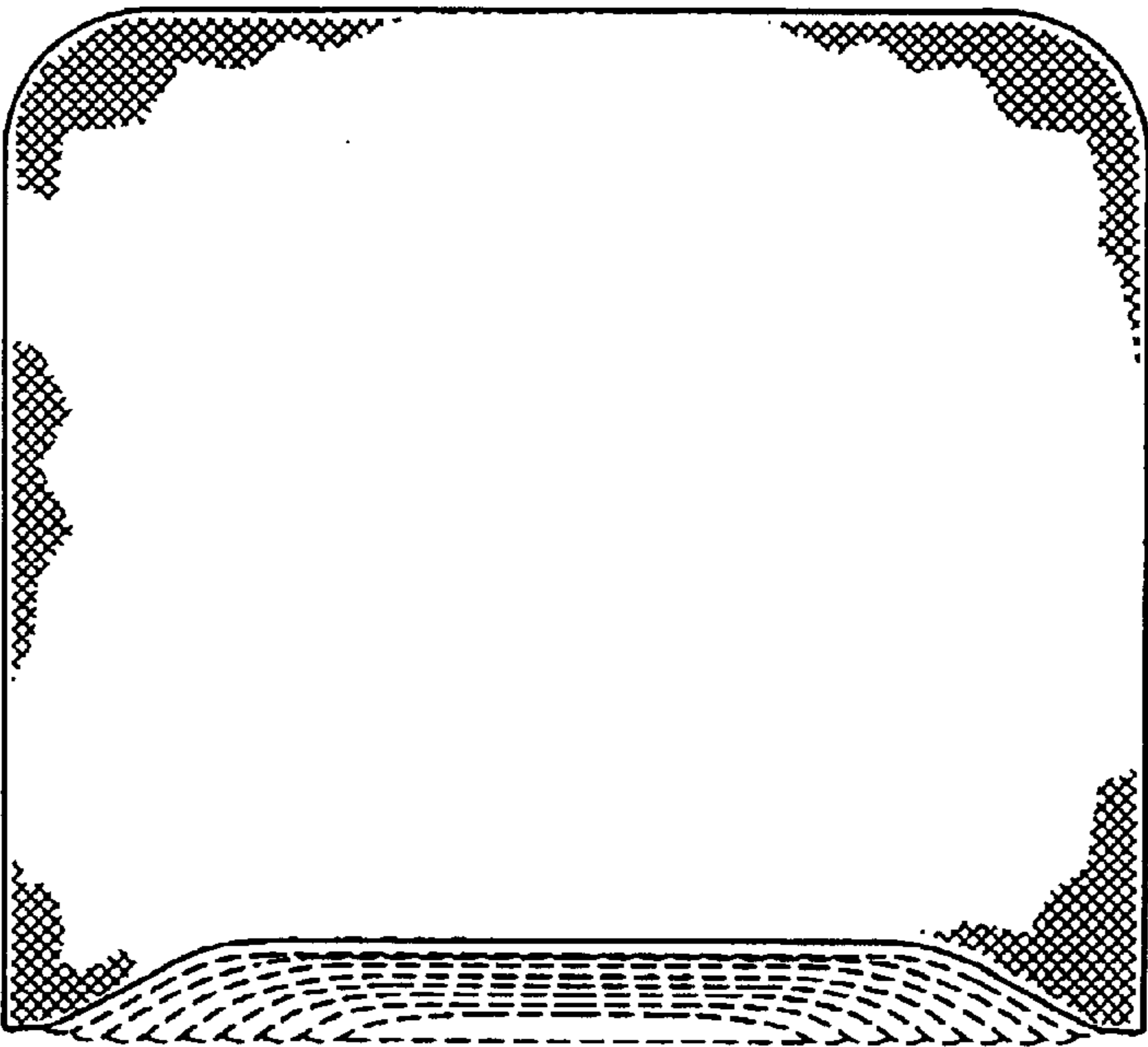


FIG. 2

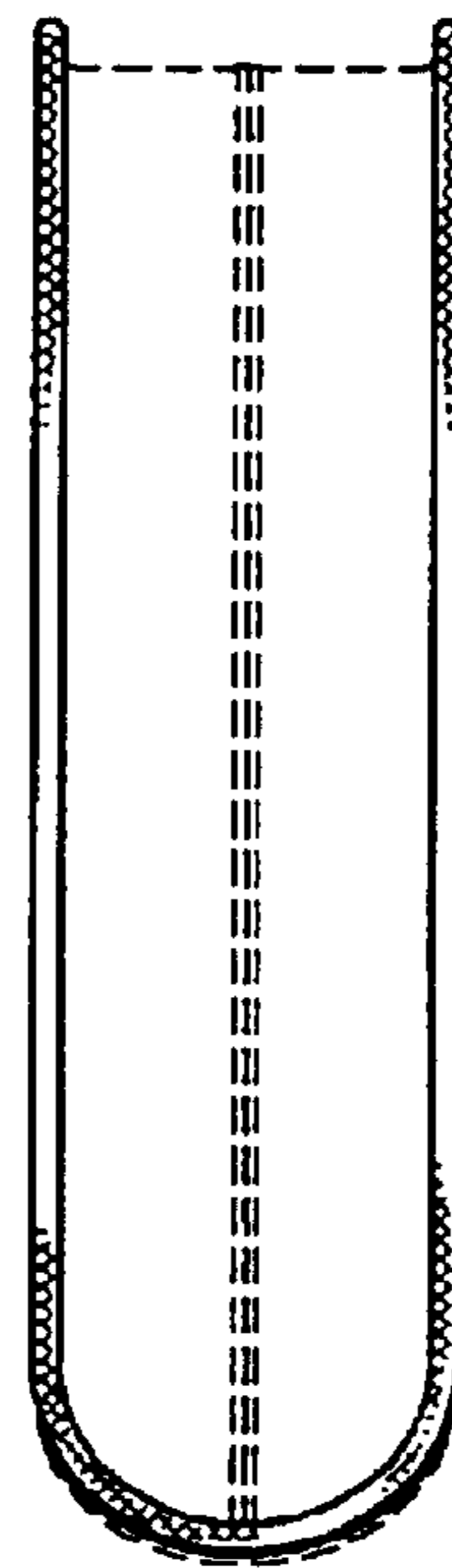


FIG. 5

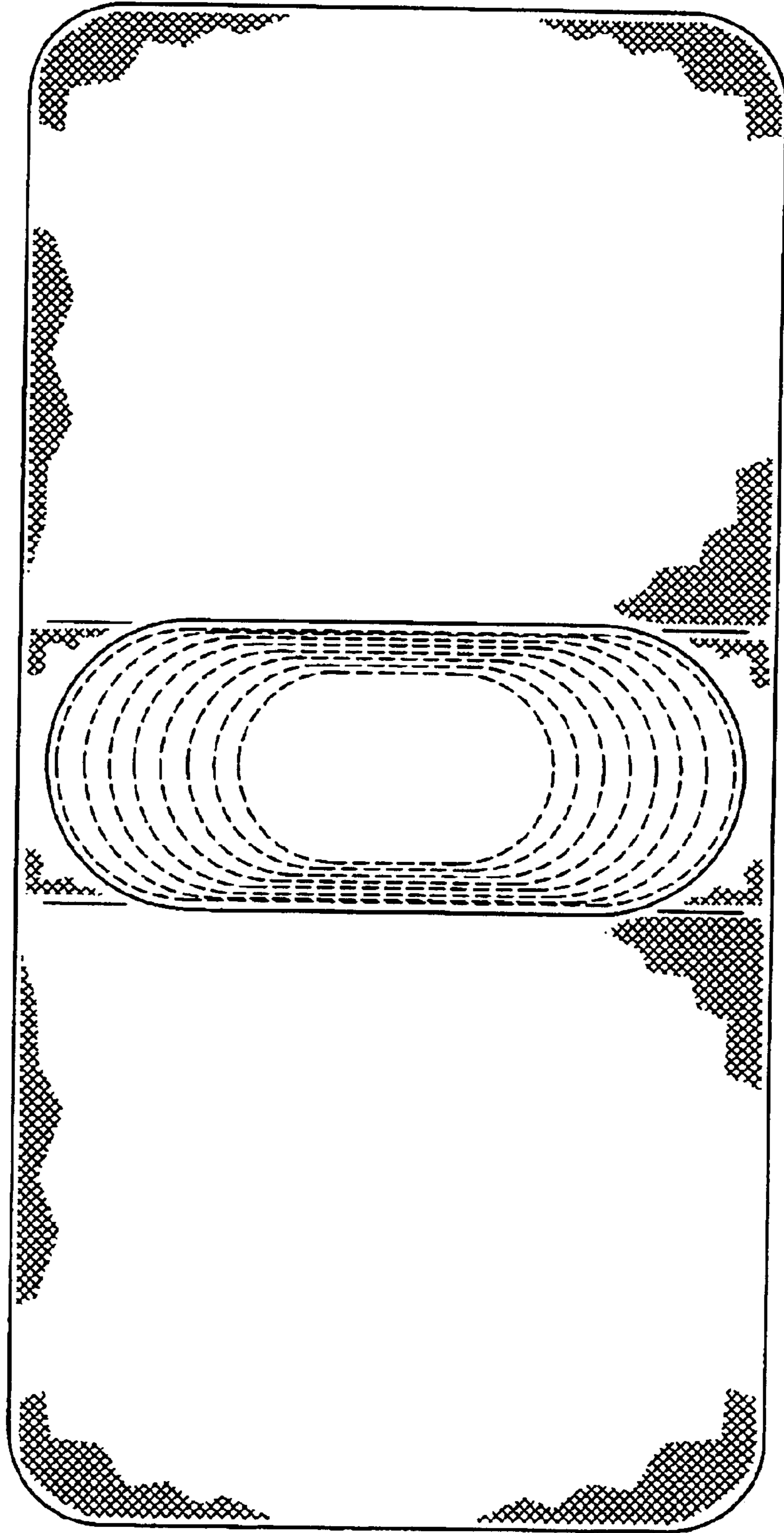


FIG. 6

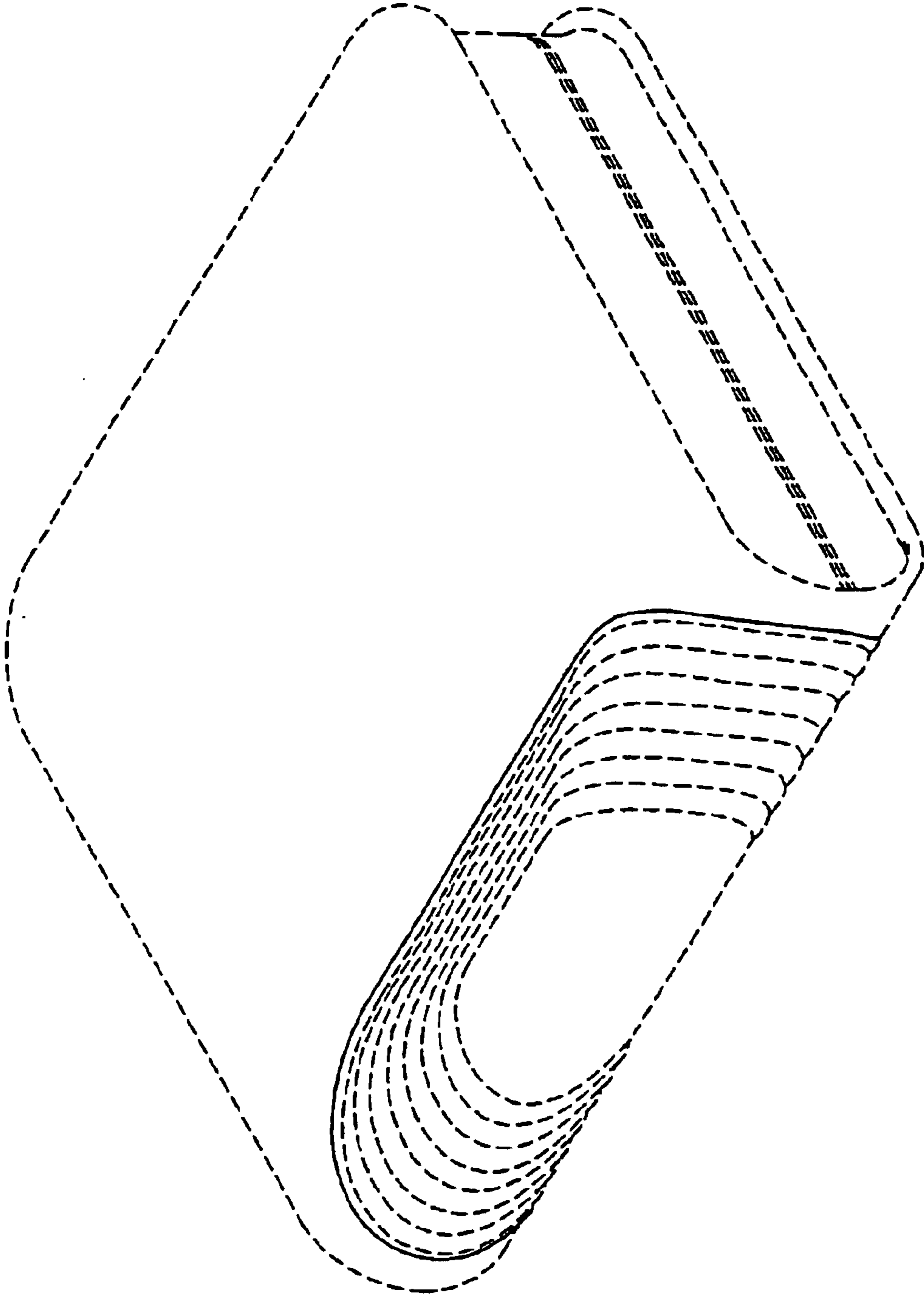


FIG. 7

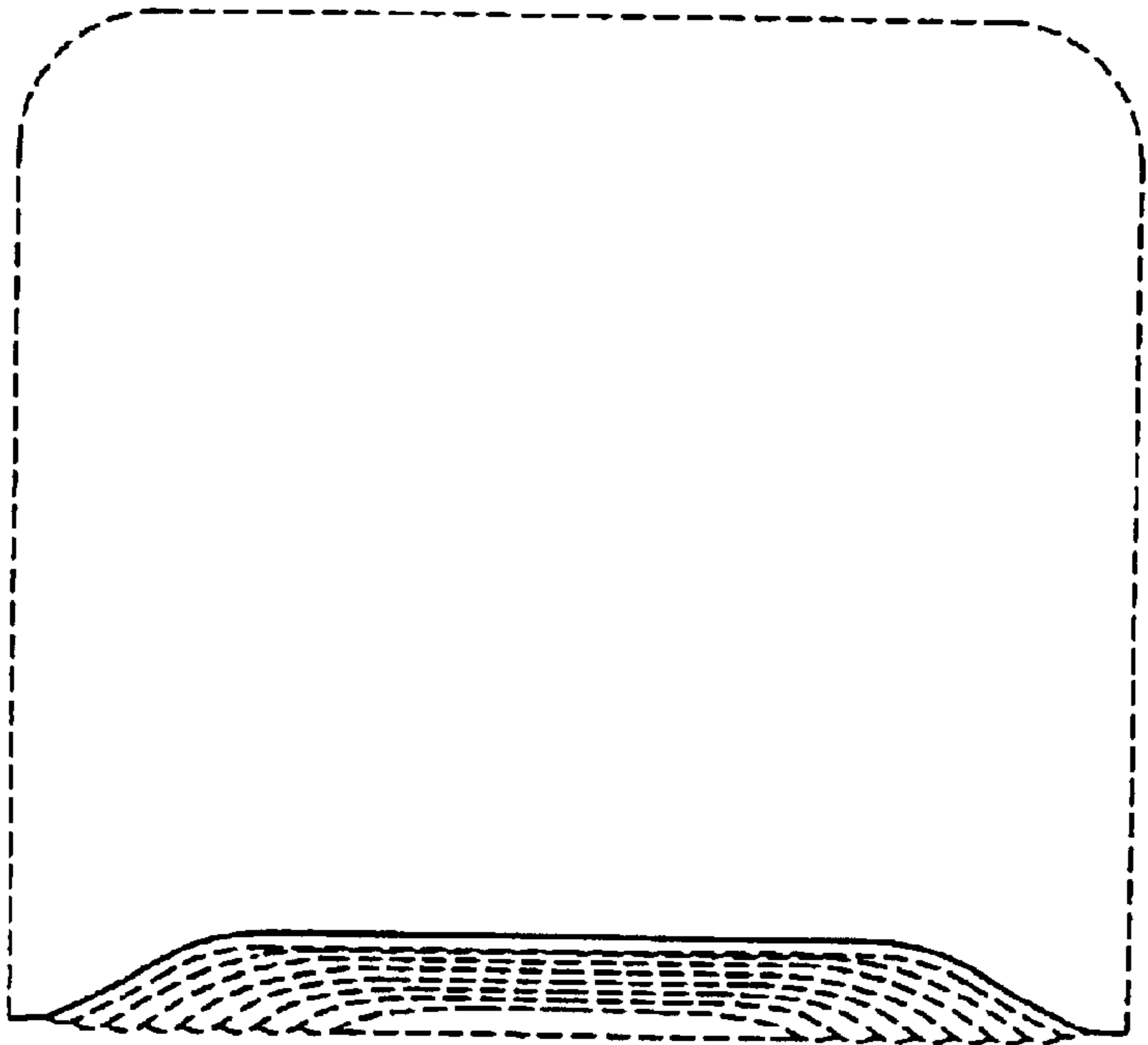


FIG. 8

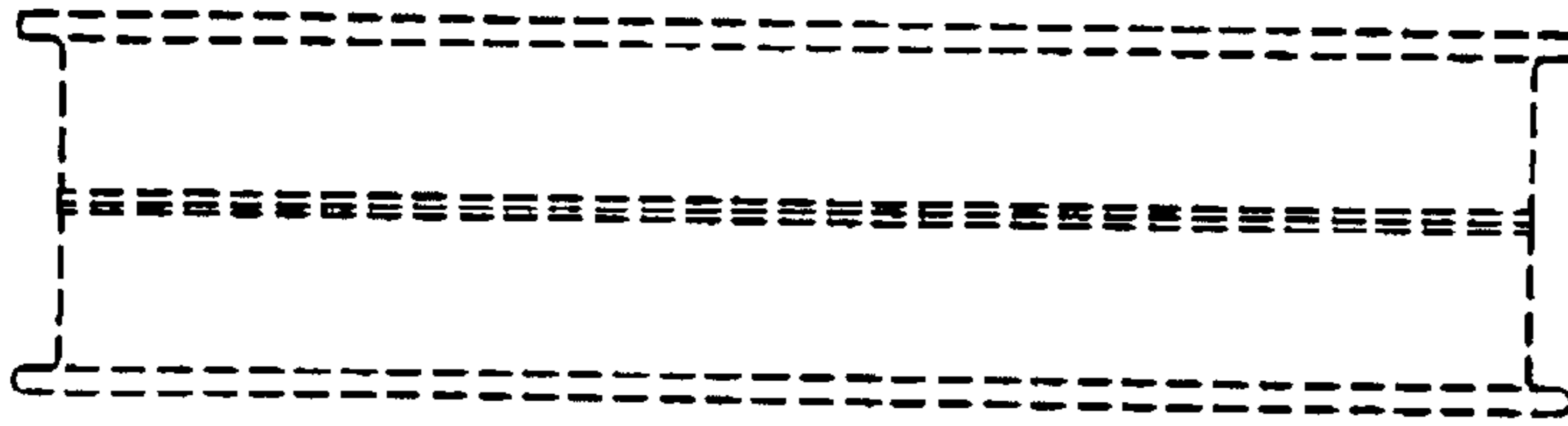


FIG. 9

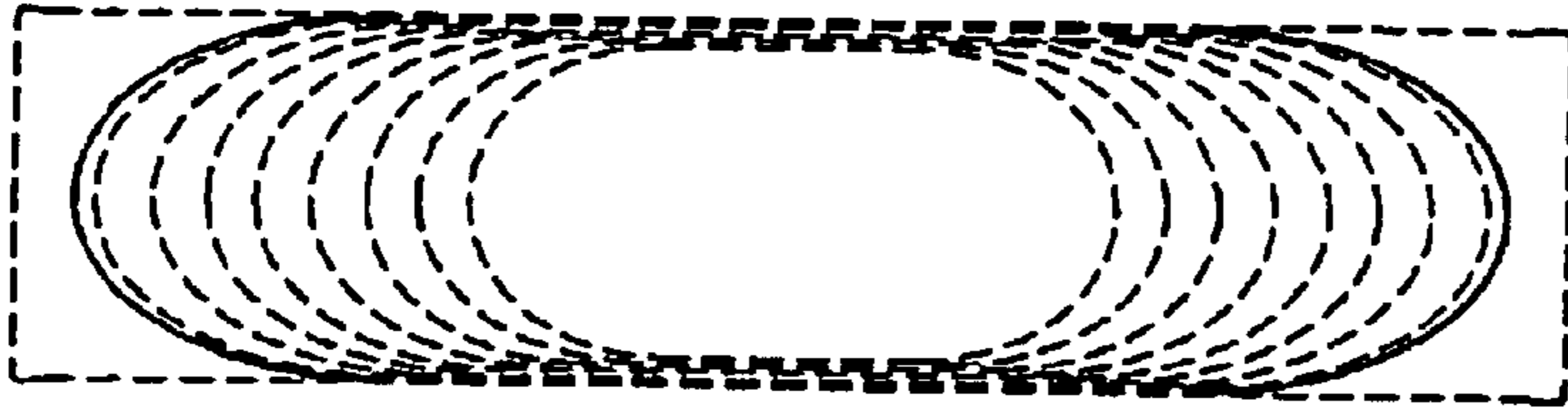


FIG. 10

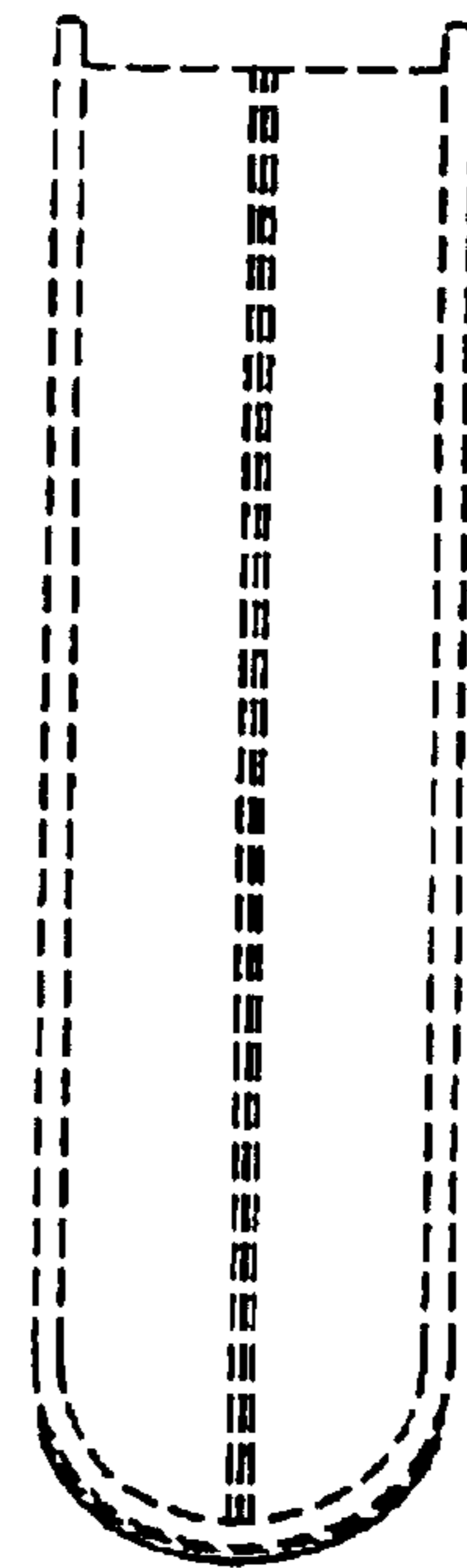


FIG. 11

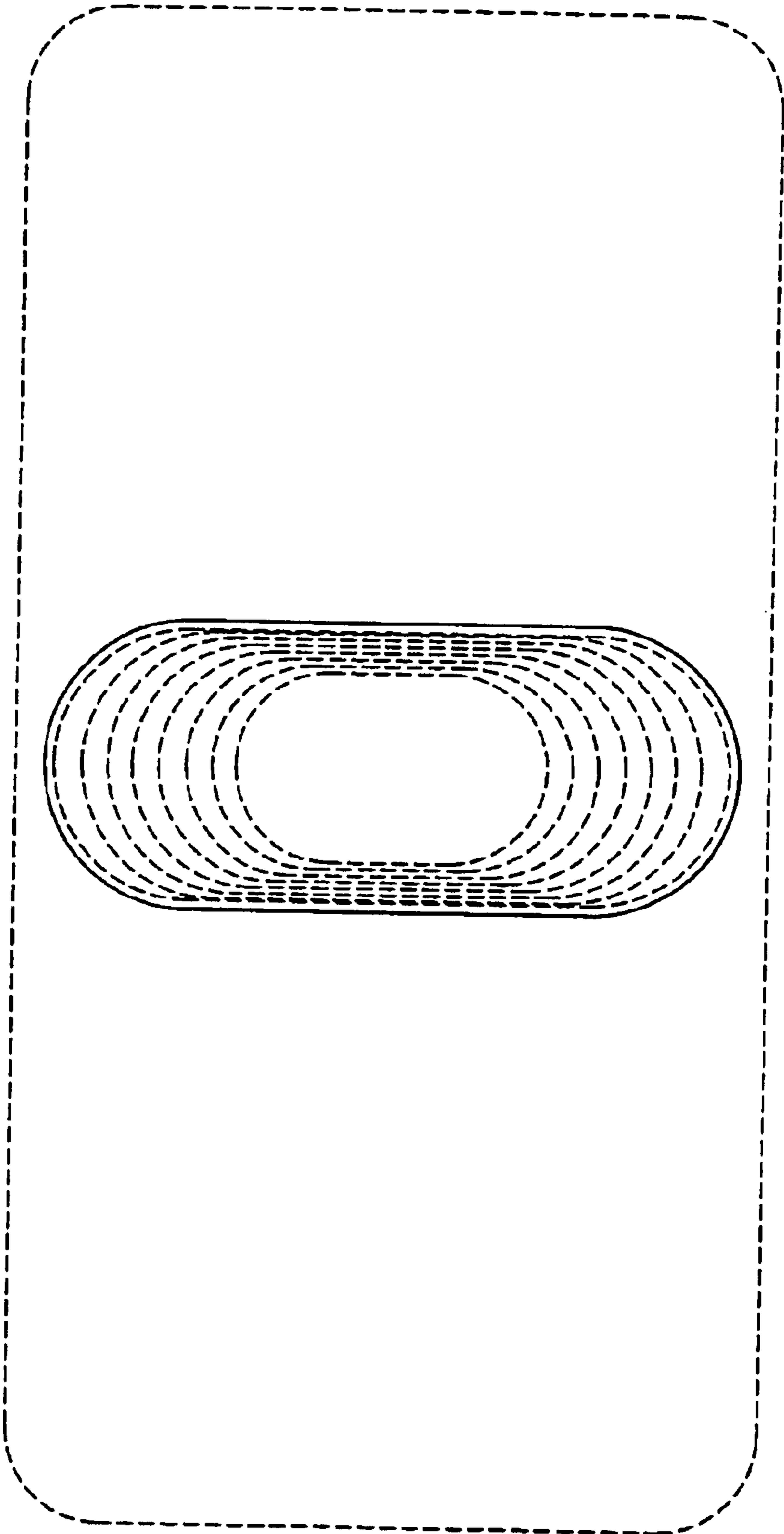


FIG. 12