

US00D493482S1

(12) **United States Design Patent**  
**Uchiyama**

(10) **Patent No.:** **US D493,482 S**  
(45) **Date of Patent:** **\*\* Jul. 27, 2004**

(54) **PAPER CASSETTE FOR PRINTER**

(75) Inventor: **Yoichi Uchiyama, Nagoya (JP)**

(73) Assignee: **Brother Industries, Ltd., Nagoya (JP)**

(\*\*) Term: **14 Years**

(21) Appl. No.: **29/178,308**

(22) Filed: **Mar. 26, 2003**

(30) **Foreign Application Priority Data**

Dec. 10, 2002 (JP) ..... 2002-034310

(51) **LOC (7) Cl.** ..... **16-03**

(52) **U.S. Cl.** ..... **D18/44; D3/318**

(58) **Field of Search** ..... D18/36-40, 44,  
D18/55, 7, 56; D3/201, 276, 282, 291,  
307, 308, 318, 324; D7/698; 271/117, 145,  
162, 170, 171; 355/408; 399/391-393;  
400/208; D8/107

(56) **References Cited**

**U.S. PATENT DOCUMENTS**

- D256,028 S \* 7/1980 Lawrence et al. .... D18/7
- D293,390 S \* 12/1987 Sutou et al. .... D18/44
- D295,529 S \* 5/1988 Masaki et al. .... D18/37
- 5,005,998 A \* 4/1991 Takanashi et al. .... 400/208
- D378,377 S \* 3/1997 Komatsu ..... D18/19

- D390,358 S \* 2/1998 Calmeise ..... D3/282
- D412,397 S \* 8/1999 Liu ..... D3/282
- D426,705 S \* 6/2000 Fang ..... D3/282
- D434,562 S \* 12/2000 Huang ..... D3/282
- D435,964 S \* 1/2001 Lentz ..... D3/201
- D448,564 S \* 10/2001 Snider ..... D3/282
- D451,130 S \* 11/2001 Clark et al. .... D18/55
- D475,196 S \* 6/2003 VanSkiver et al. .... D3/276
- D485,437 S \* 1/2004 Lee ..... D3/282

\* cited by examiner

*Primary Examiner*—Caron D. Veynar

(74) *Attorney, Agent, or Firm*—Oliff & Berridge PLC

(57) **CLAIM**

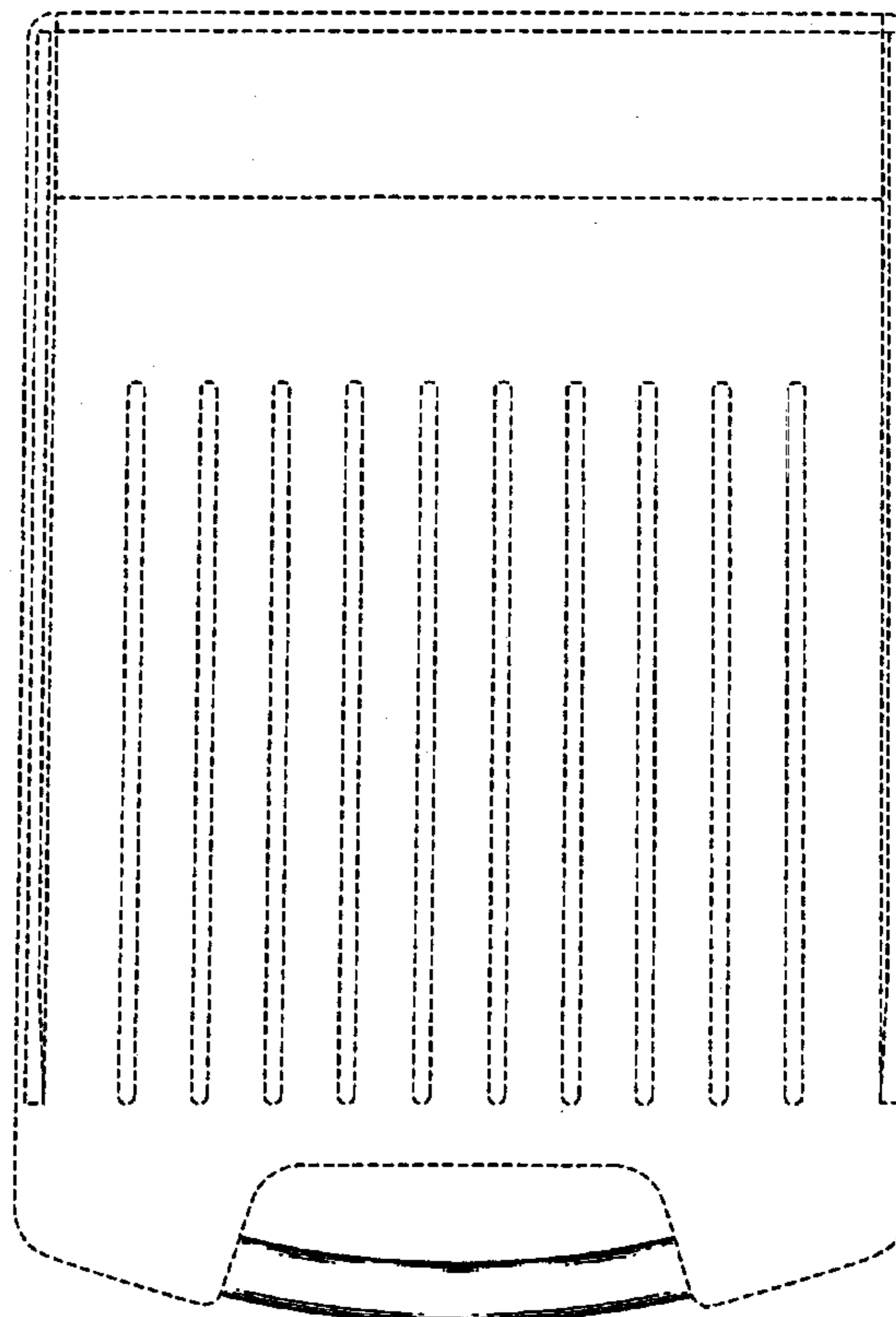
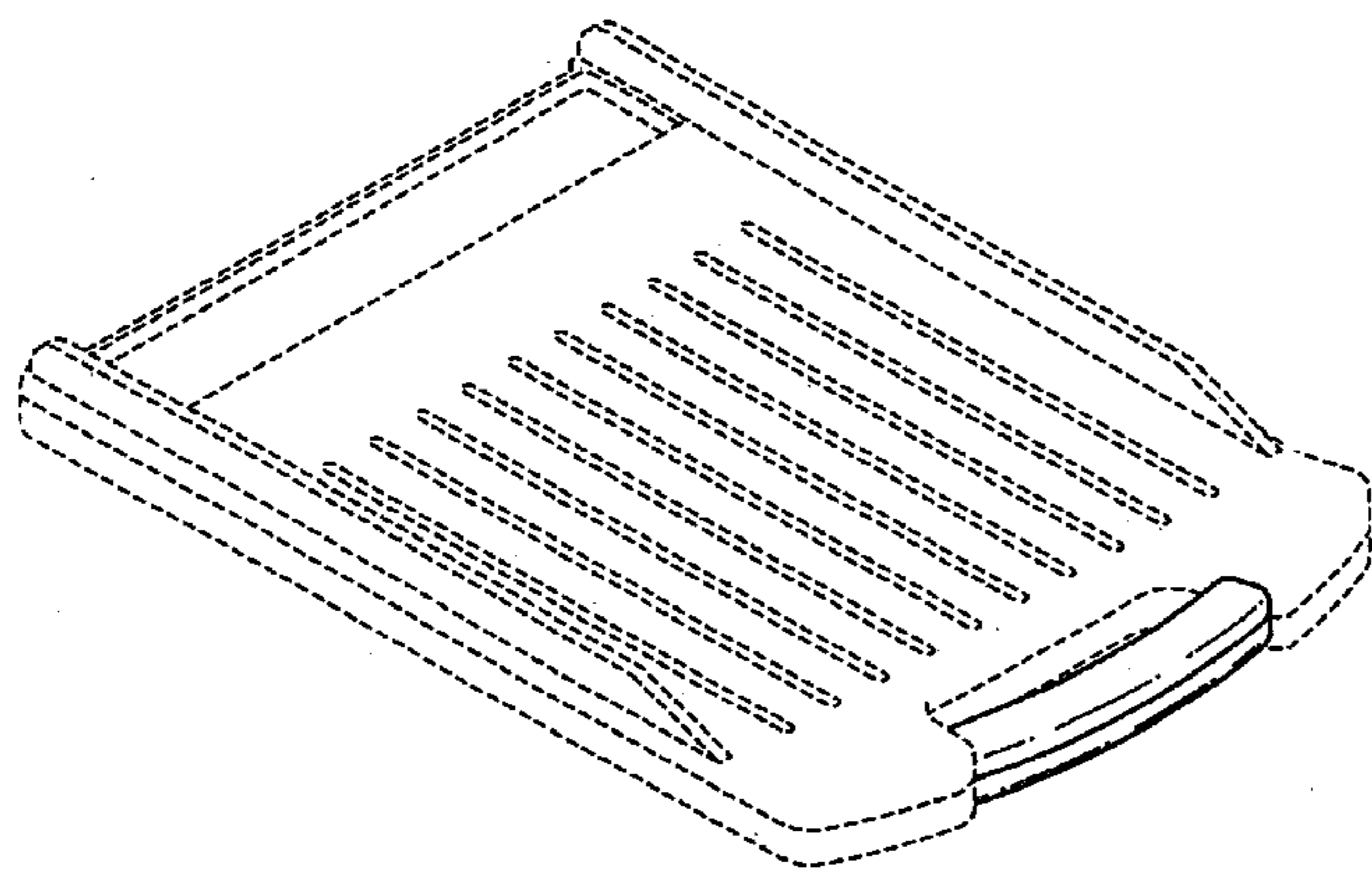
The ornamental design for a paper cassette for printer, as shown and described.

**DESCRIPTION**

FIG. 1 is a perspective view of a paper cassette for printer;  
 FIG. 2 is front view thereof;  
 FIG. 3 is a rear view thereof;  
 FIG. 4 is a top view thereof;  
 FIG. 5 is a bottom view thereof;  
 FIG. 6 is a right-side view thereof; and,  
 FIG. 7 is a left-side view thereof.

The broken line showing define the bounds of the claimed design but does not form part of the claimed design.

**1 Claim, 4 Drawing Sheets**



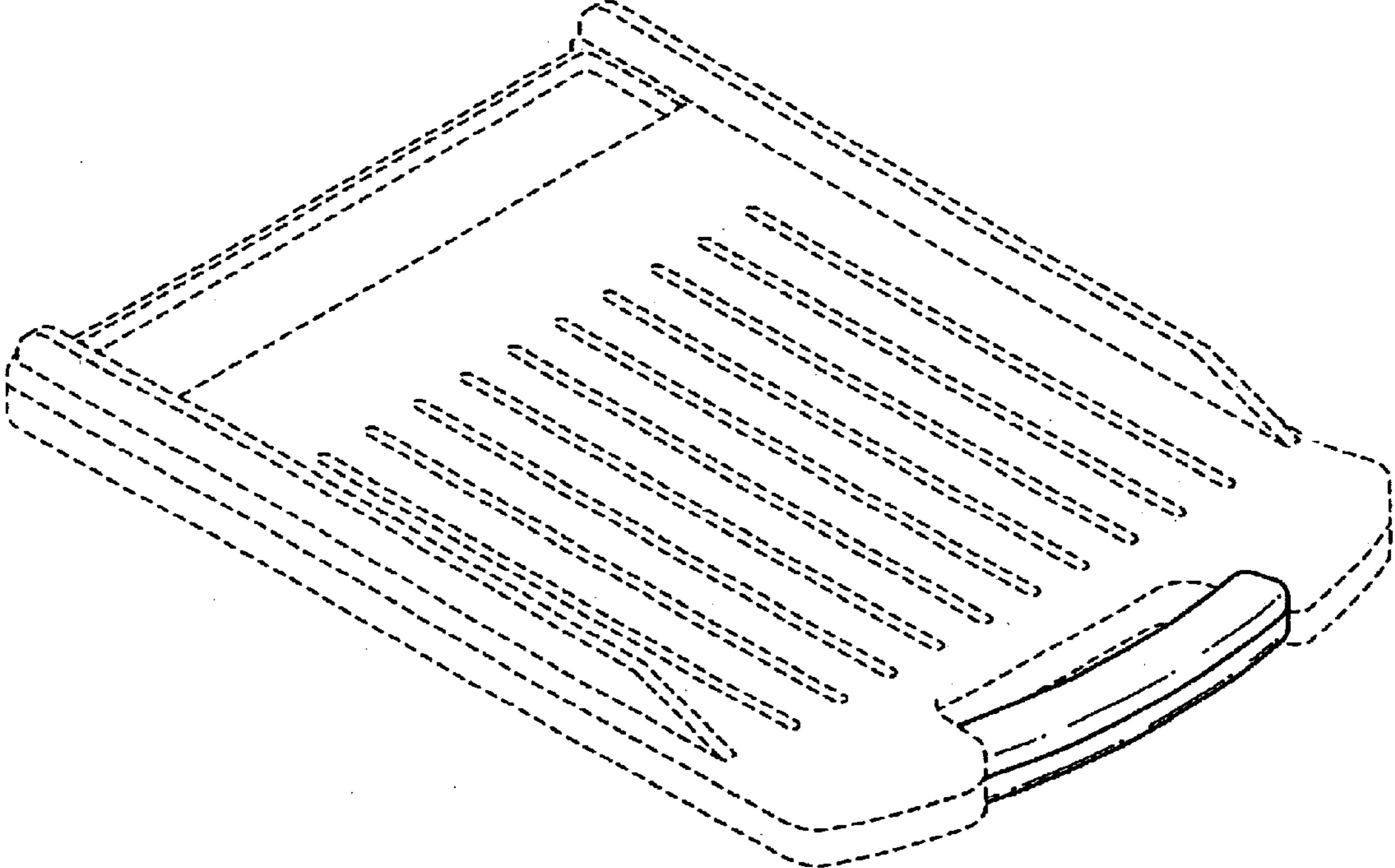


FIG. 1

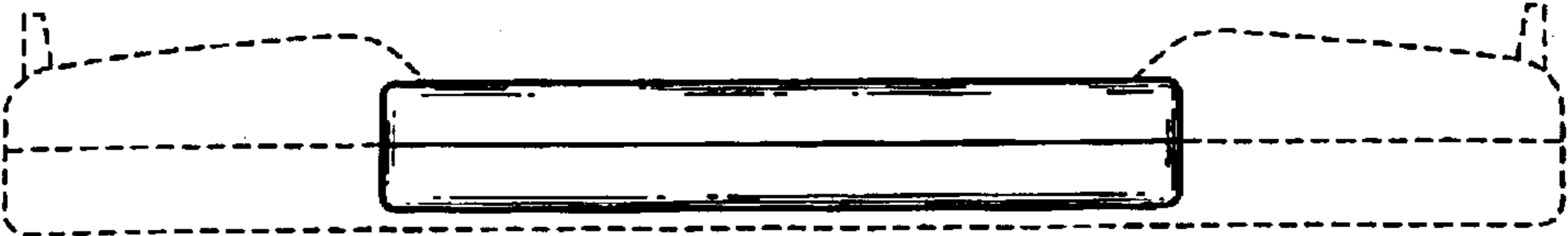


FIG. 2

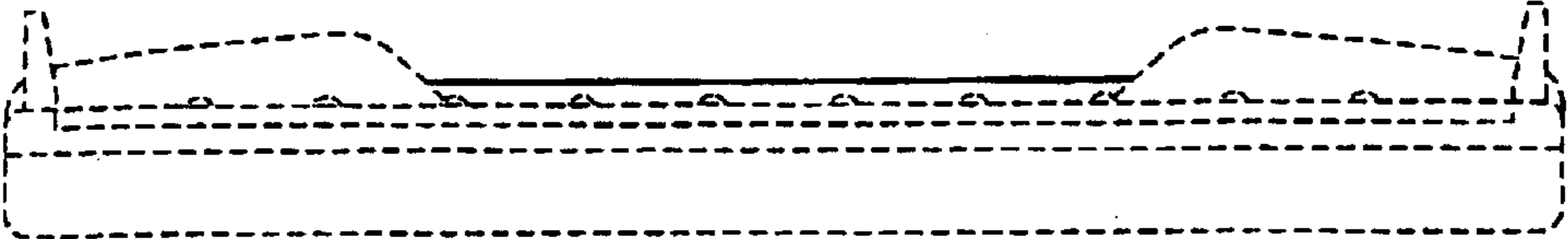


FIG. 3

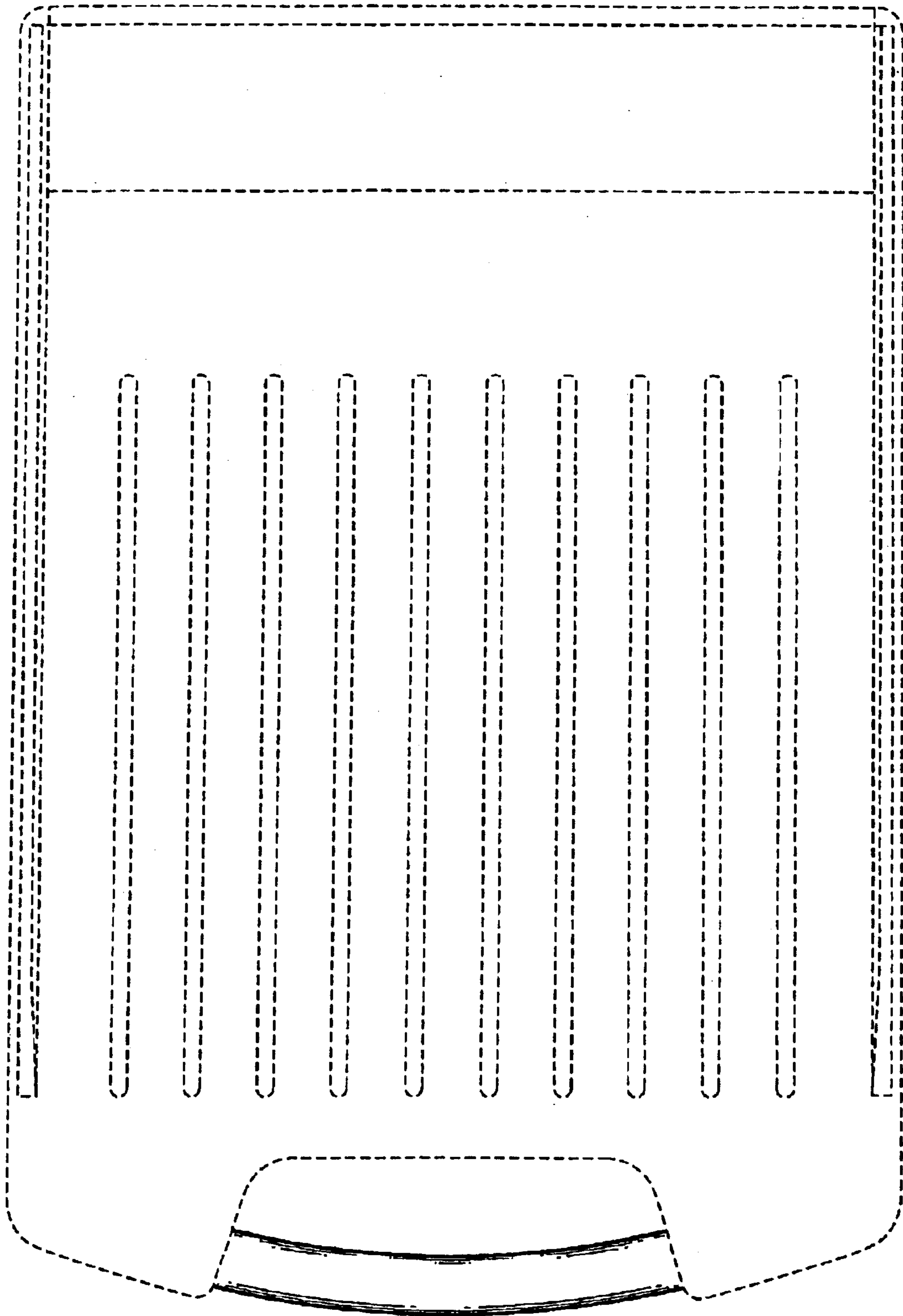


FIG. 4

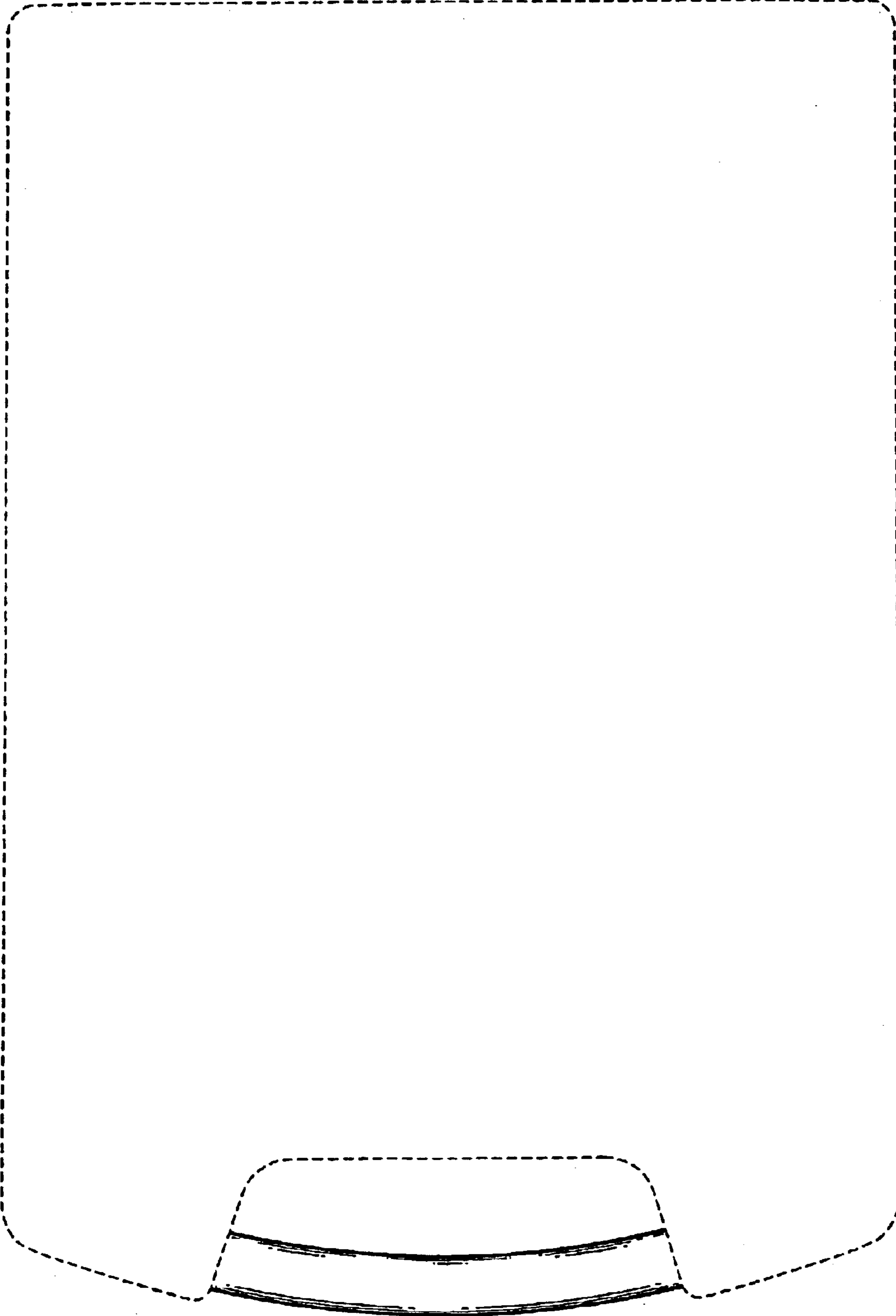
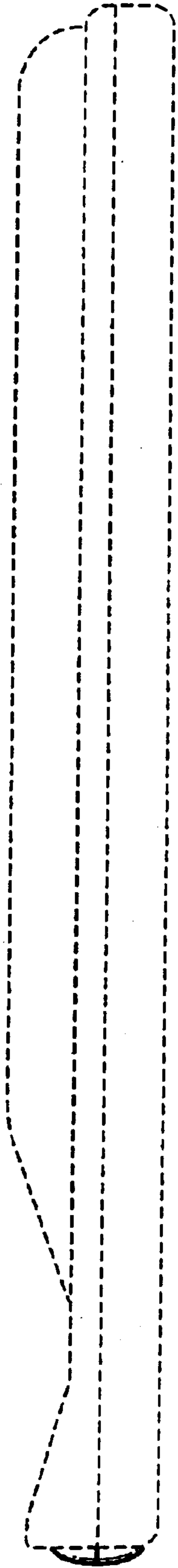
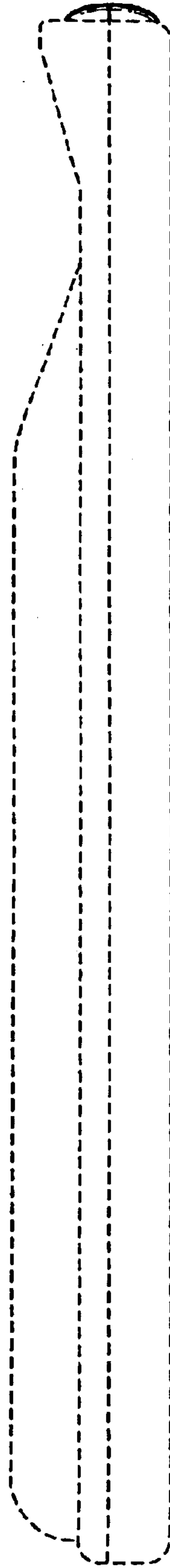


FIG. 5



**FIG. 6**



**FIG. 7**