

US00D493478S1

(12) **United States Design Patent**  
**Treadwell et al.**

(10) **Patent No.:** **US D493,478 S**  
(45) **Date of Patent:** **\*\* Jul. 27, 2004**

(54) **ROBOTIC DEVICE**

(75) Inventors: **Simon Treadwell**, Toronto (CA); **James Hoi Kwan Cheung**, Mississauga (CA); **Thomas Ian Hatherley**, Oakville (CA); **Michael Paul Riff**, Burlington (CA); **Bradley Kenneth Klinck**, Burlington (CA)

(73) Assignee: **Thermo CRS Ltd.**, Burlington (CA)

(\*\*) Term: **14 Years**

(21) Appl. No.: **29/187,112**

(22) Filed: **Jul. 28, 2003**

(30) **Foreign Application Priority Data**

Jan. 31, 2003 (CA) ..... 101968

(51) **LOC (7) Cl.** ..... **15-99**

(52) **U.S. Cl.** ..... **D15/199**

(58) **Field of Search** ..... D15/199; 700/259,  
700/245, 254, 83, 85; 219/121.85, 124.34;  
348/94, 95; 356/237.1, 243.1; 414/729,  
735, 21

(56) **References Cited**

**U.S. PATENT DOCUMENTS**

D298,834 S \* 12/1988 Jones ..... D15/199  
6,681,151 B1 \* 1/2004 Weinzimmer et al. .... 700/259

\* cited by examiner

*Primary Examiner*—Antoine D. Davis

(74) *Attorney, Agent, or Firm*—Woodard, Emhardt,  
Moriarty McNett & Henry LLP

(57) **CLAIM**

The ornamental design for a robotic device, as shown and described.

**DESCRIPTION**

FIG. 1 is a top, front and right side perspective view of the robotic device embodying the design;

FIG. 2 is a top, rear and right side perspective view thereof;

FIG. 3 is a rear view thereof, showing the arm extending to the right;

FIG. 4 is a front view thereof, showing the arm, in solid lines extending to the left, and showing the arm, in broken lines, extending to the right;

FIG. 5 is a left side view thereof;

FIG. 6 is a right side view thereof;

FIG. 7 is a top view thereof, showing the arm, in solid lines, extending to the left, and showing the arm, in broken lines, extending to the right;

FIG. 8 is a top, front and right side perspective view of the robotic device embodying the design and having contrasting darker and lighter portions thereof in which the darker portions are defined by shading;

FIG. 9 is a top, rear and right side perspective view thereof;

FIG. 10 is a rear view thereof, showing the arm extending to the right;

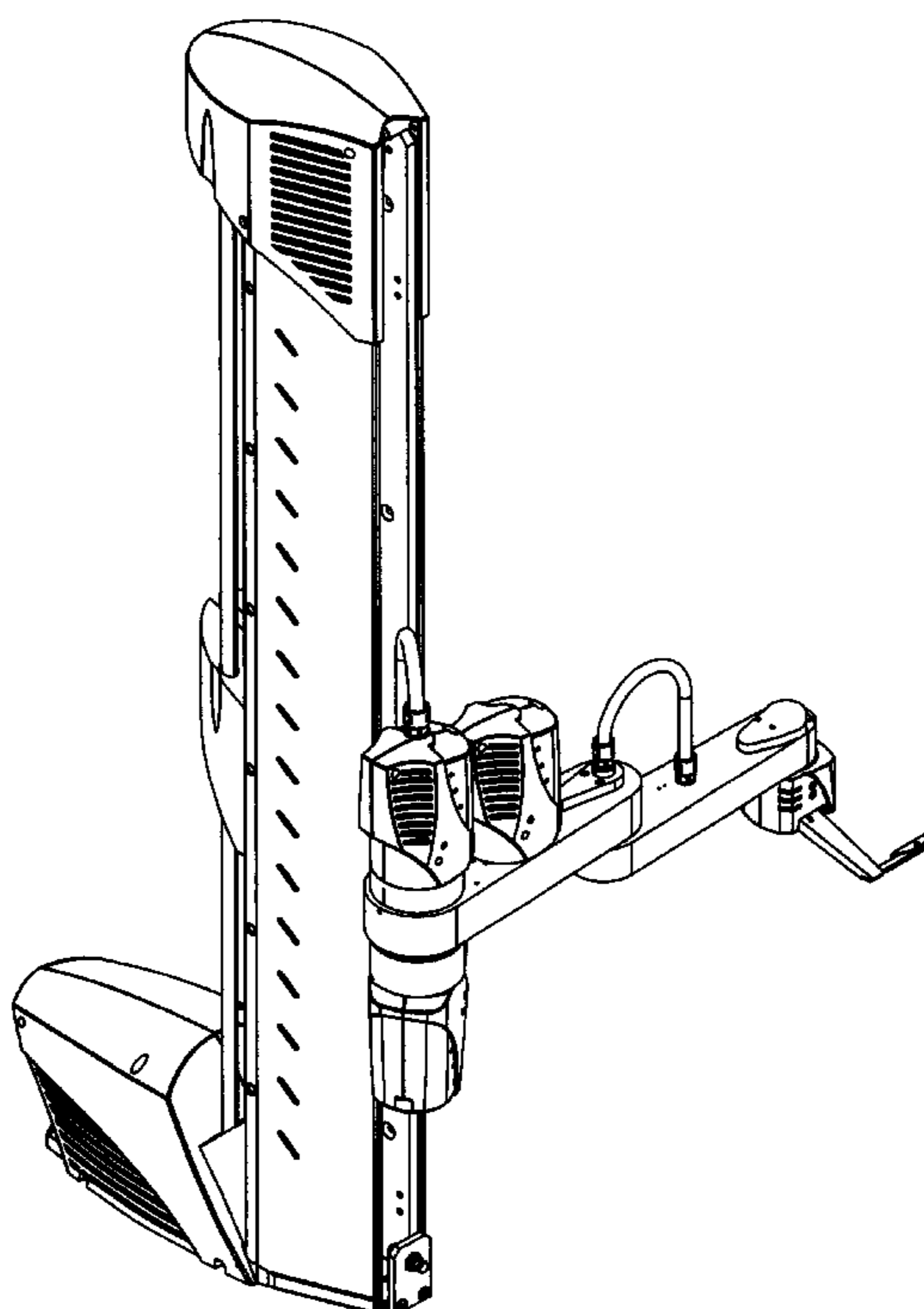
FIG. 11 is a front view thereof, showing the arm extending to the left;

FIG. 12 is a left side view thereof;

FIG. 13 is a right side view thereof; and,

FIG. 14 is a top view thereof, showing the arm extending to the left.

**1 Claim, 14 Drawing Sheets**



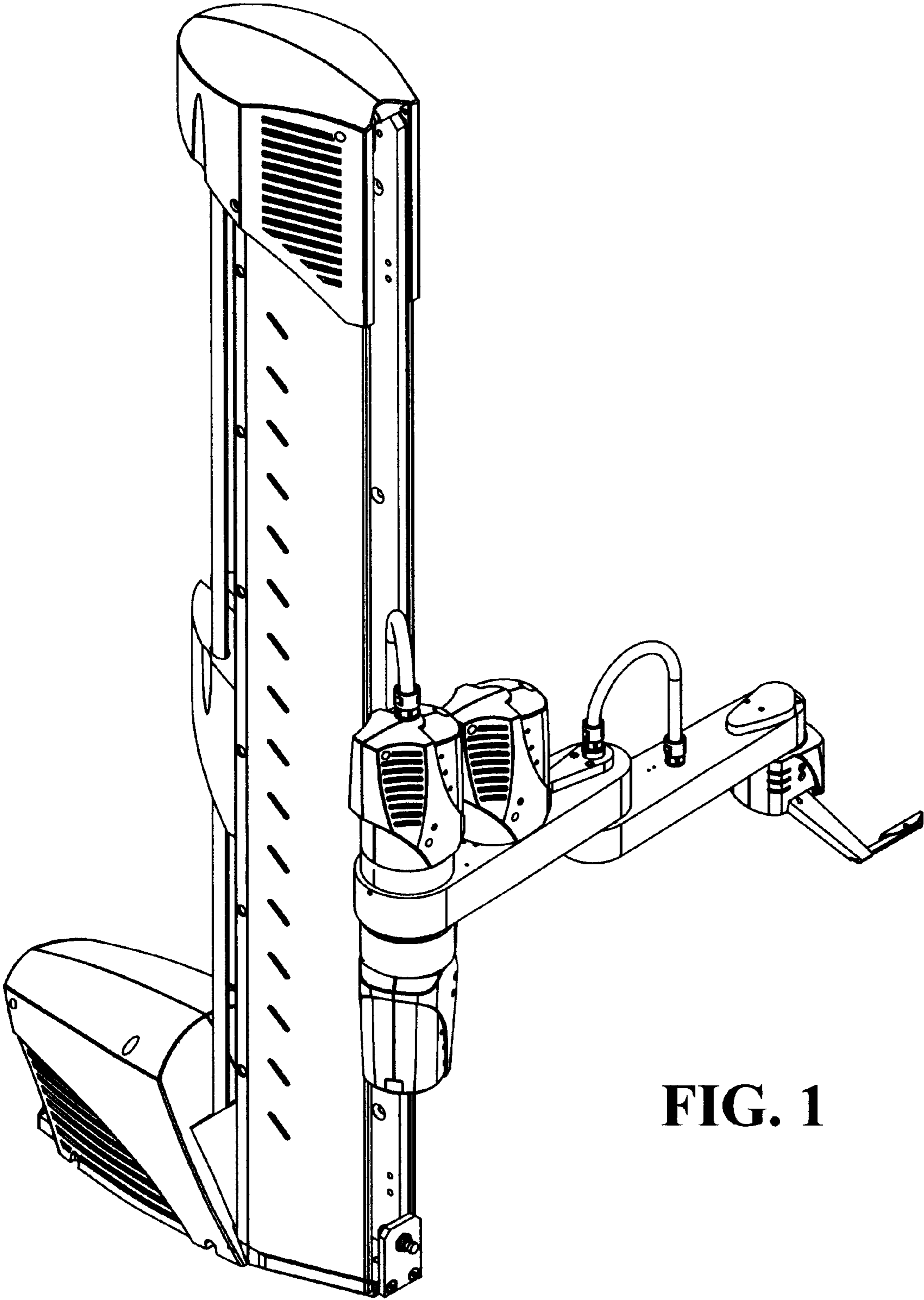


FIG. 1

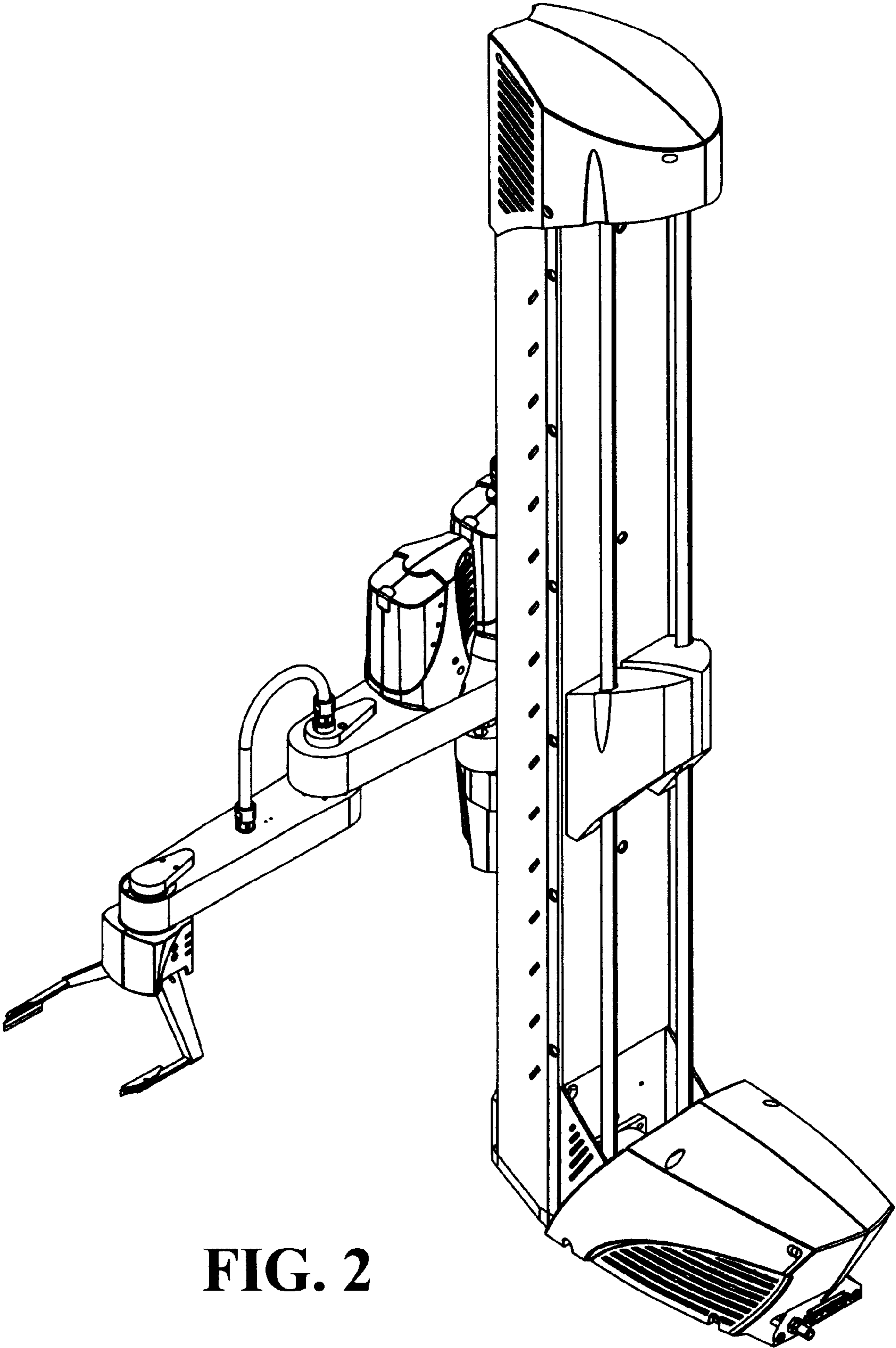


FIG. 2

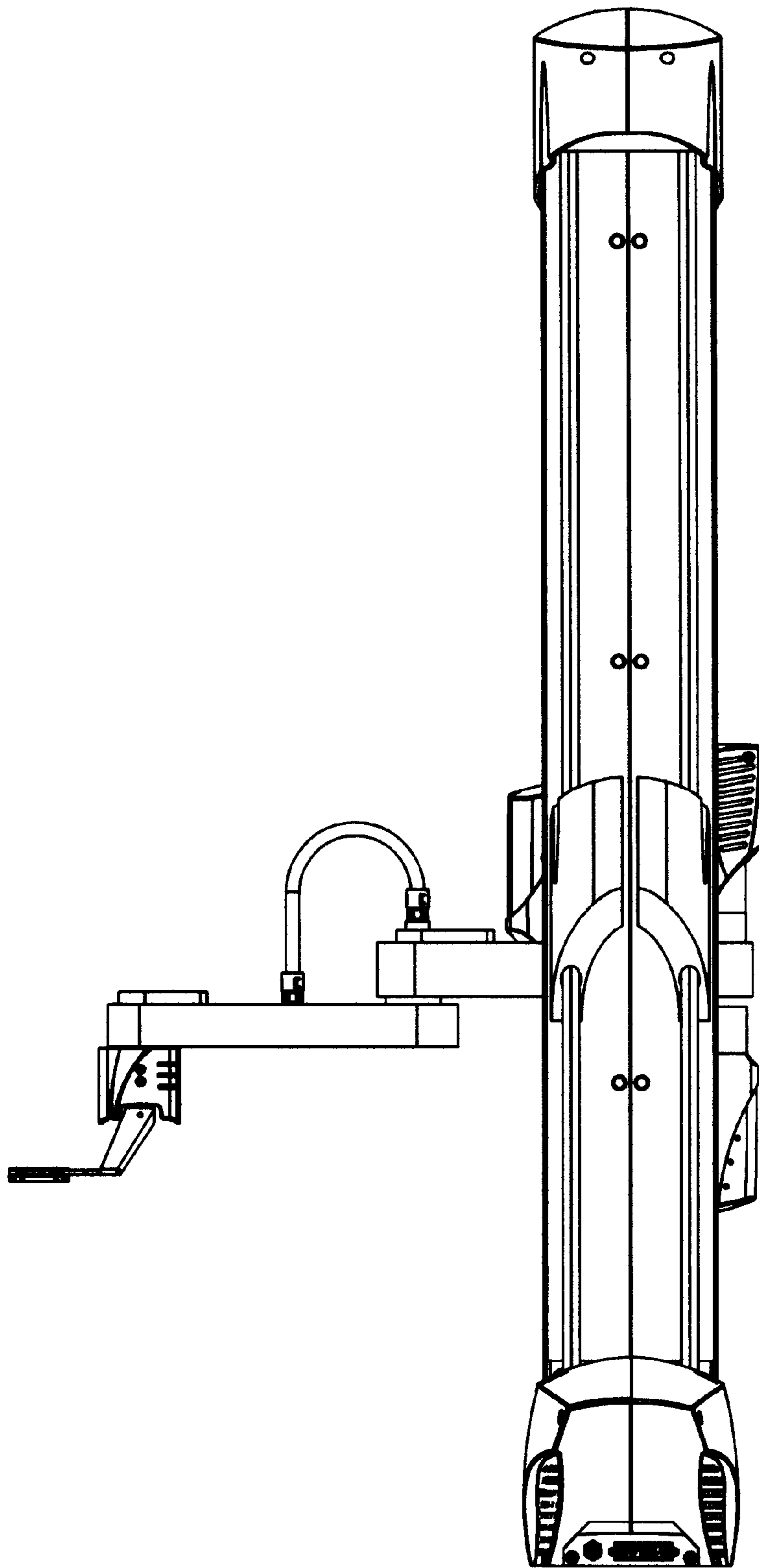


FIG. 3

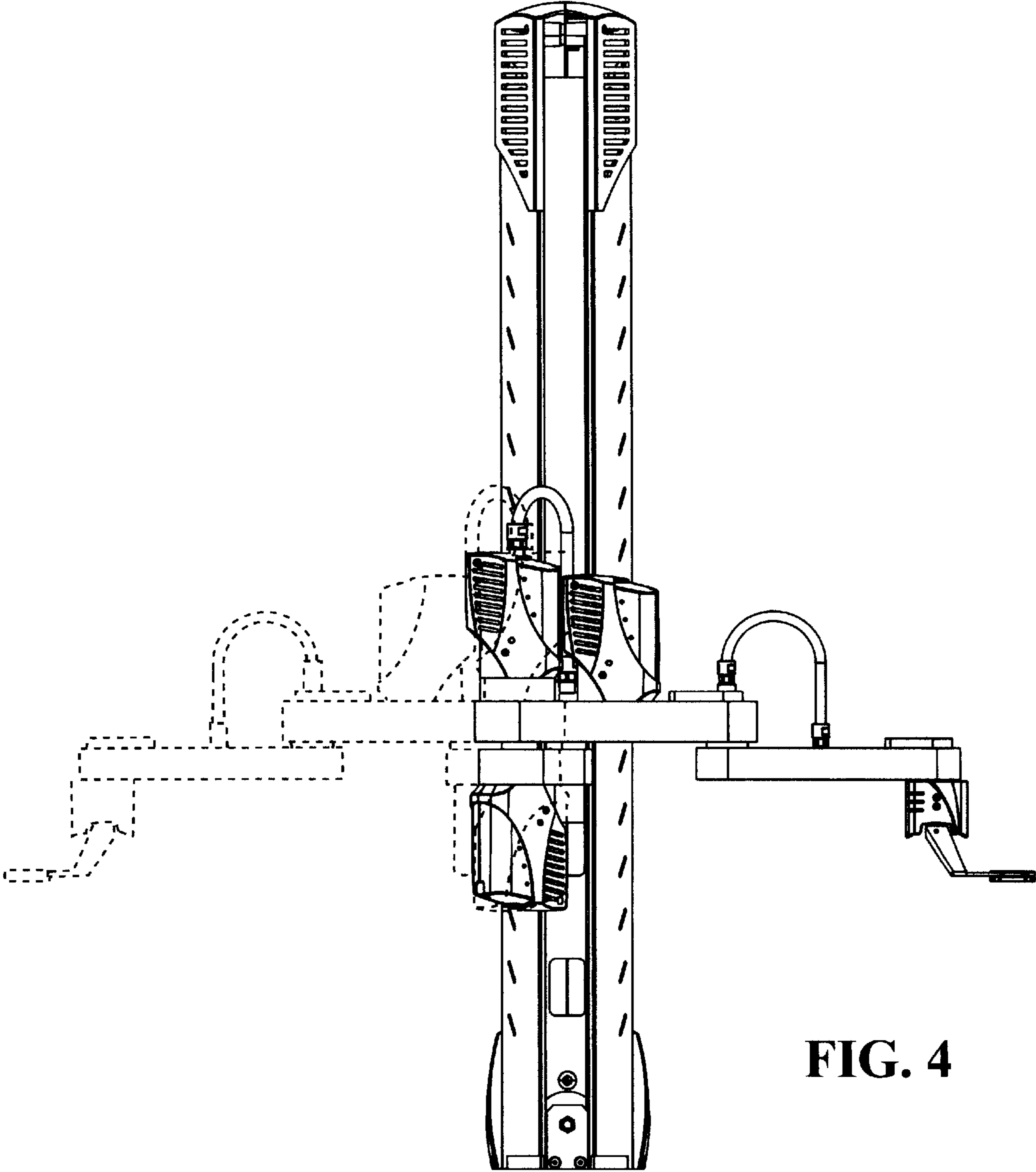
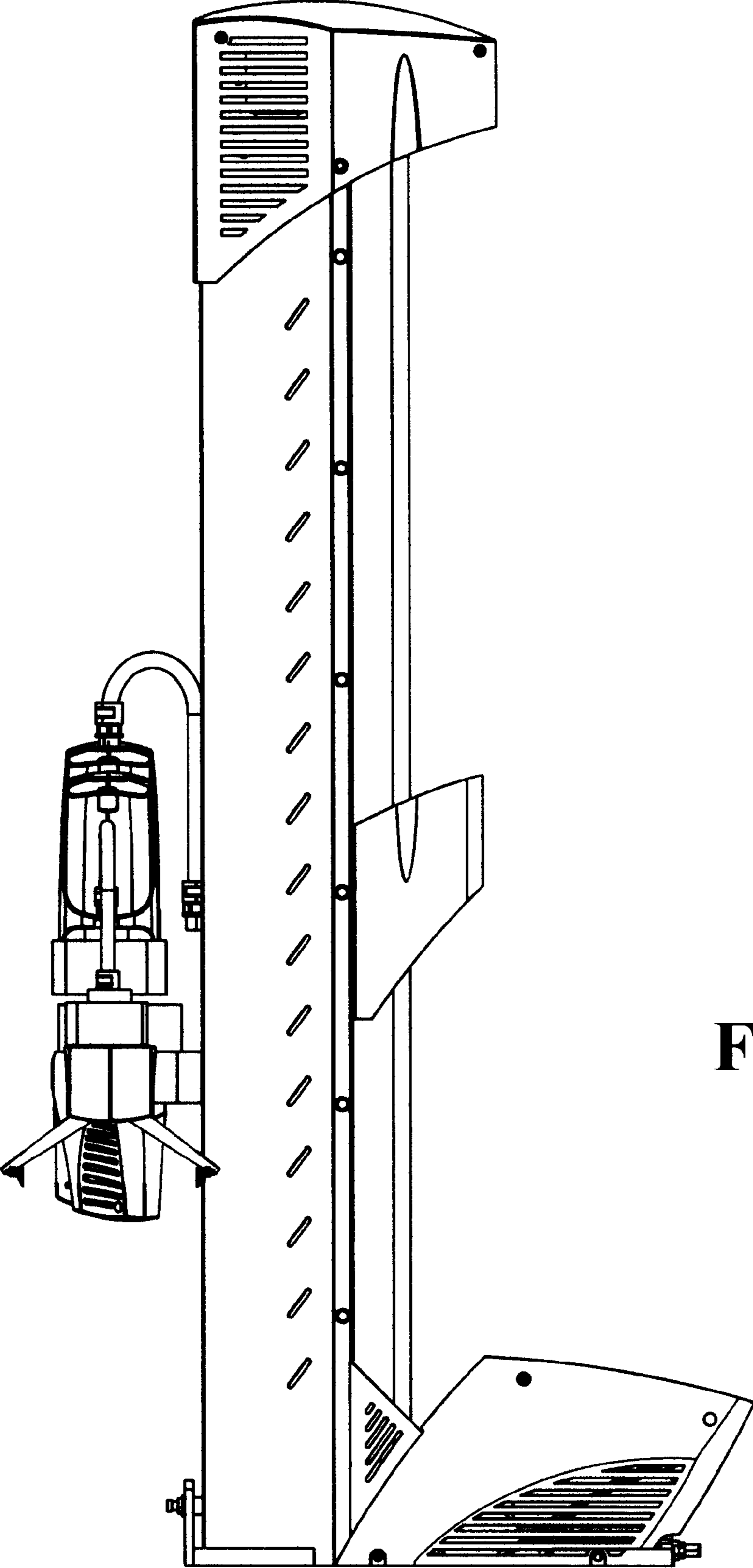


FIG. 4



**FIG. 5**

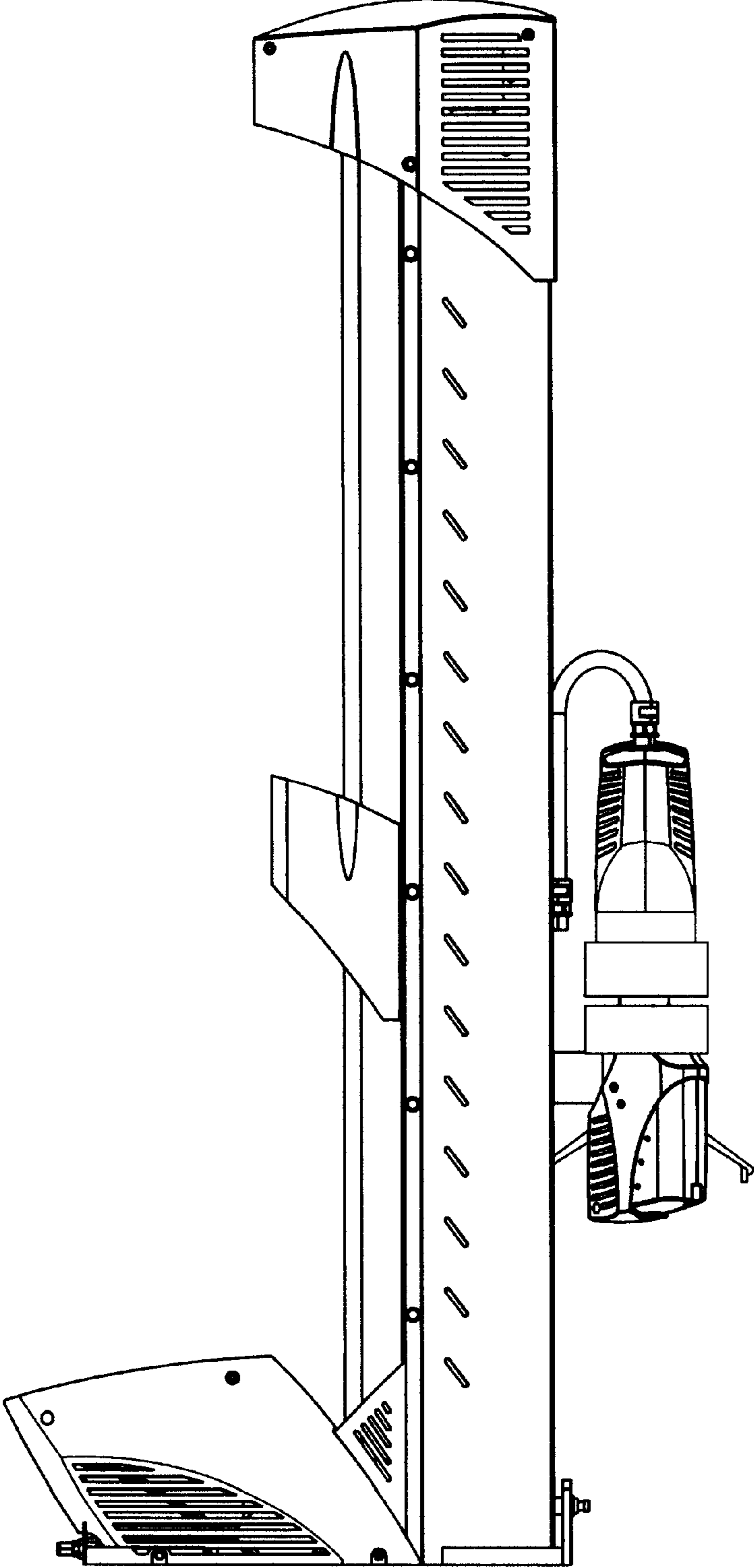


FIG. 6

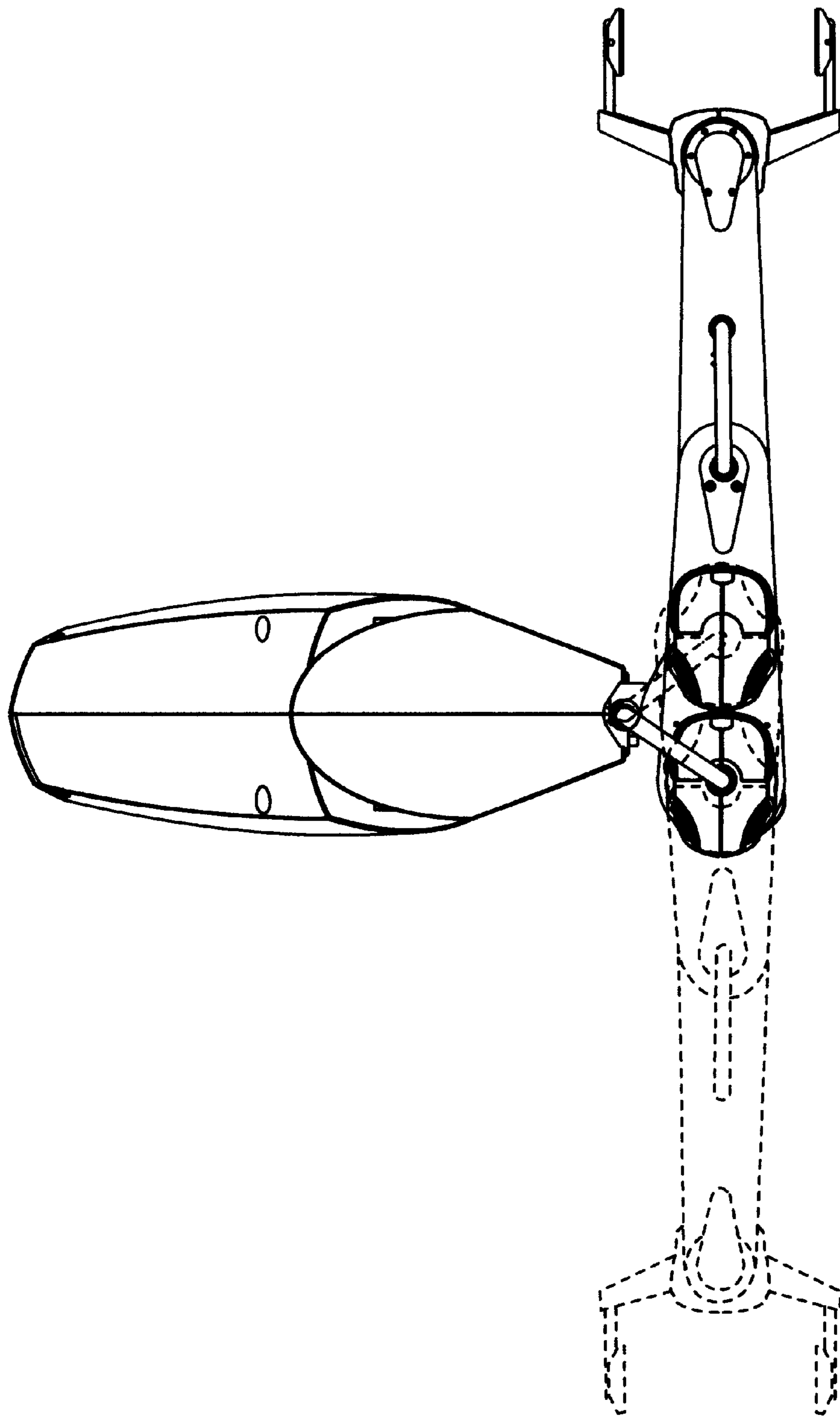


FIG. 7



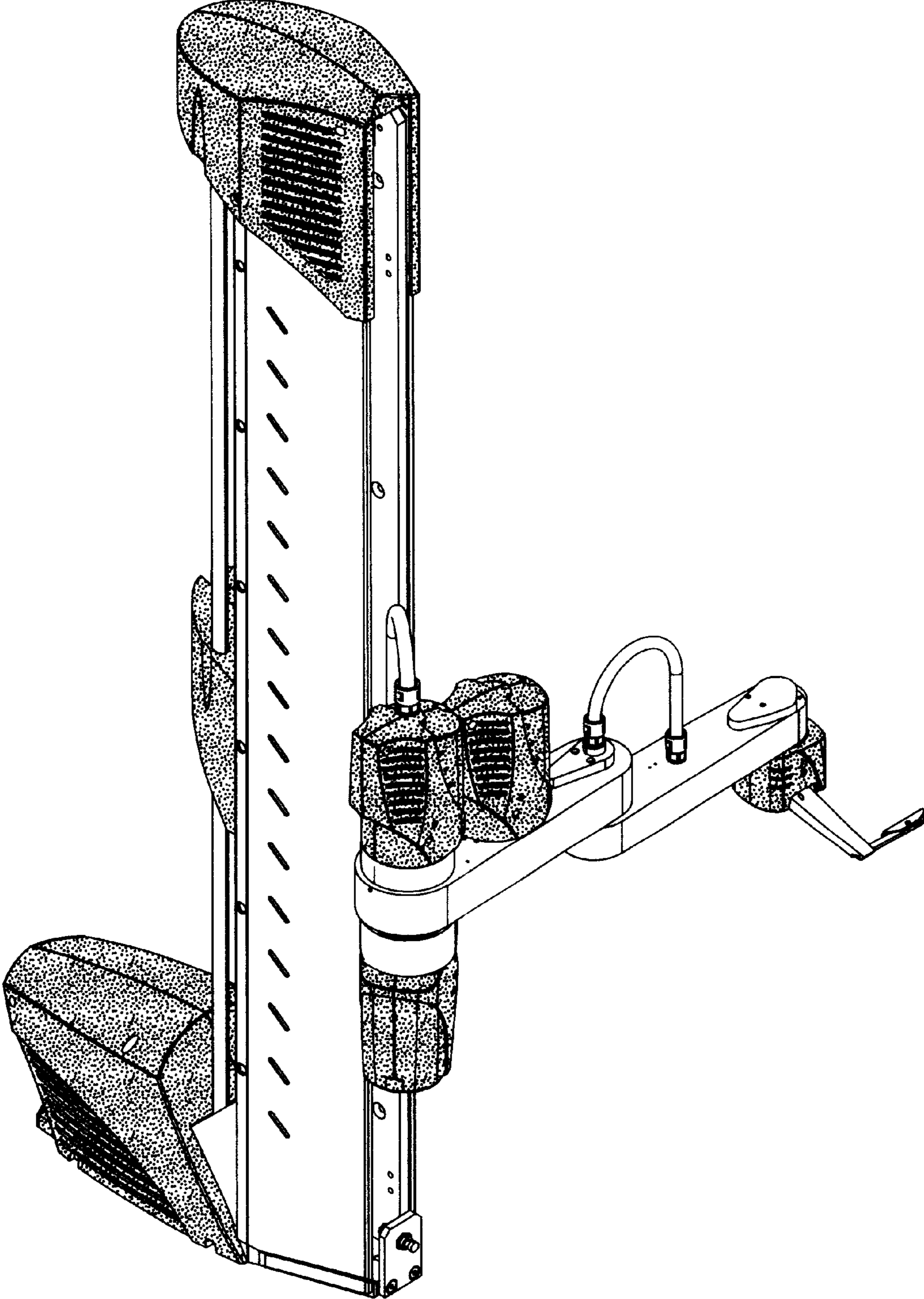


FIG. 8

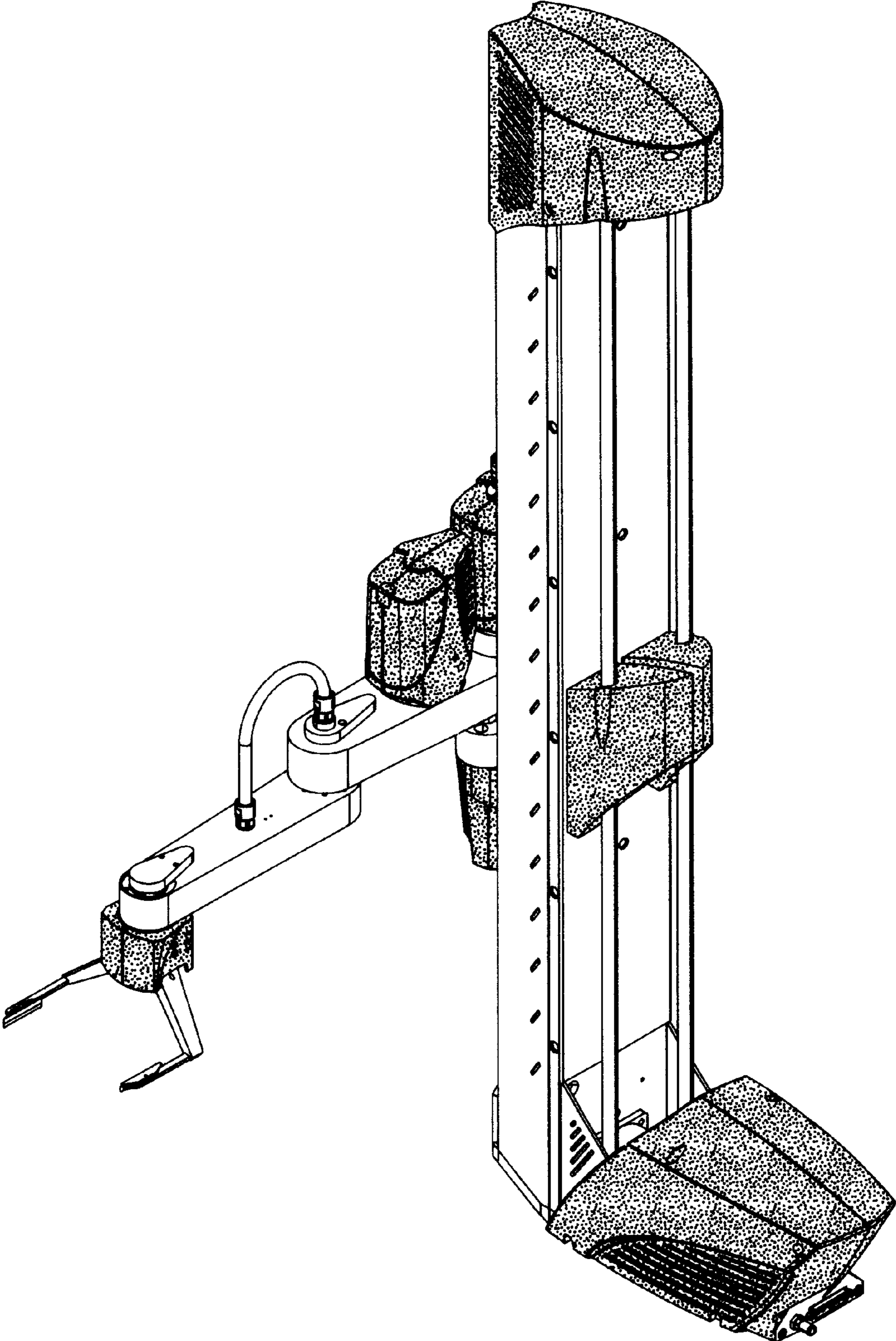


FIG. 9

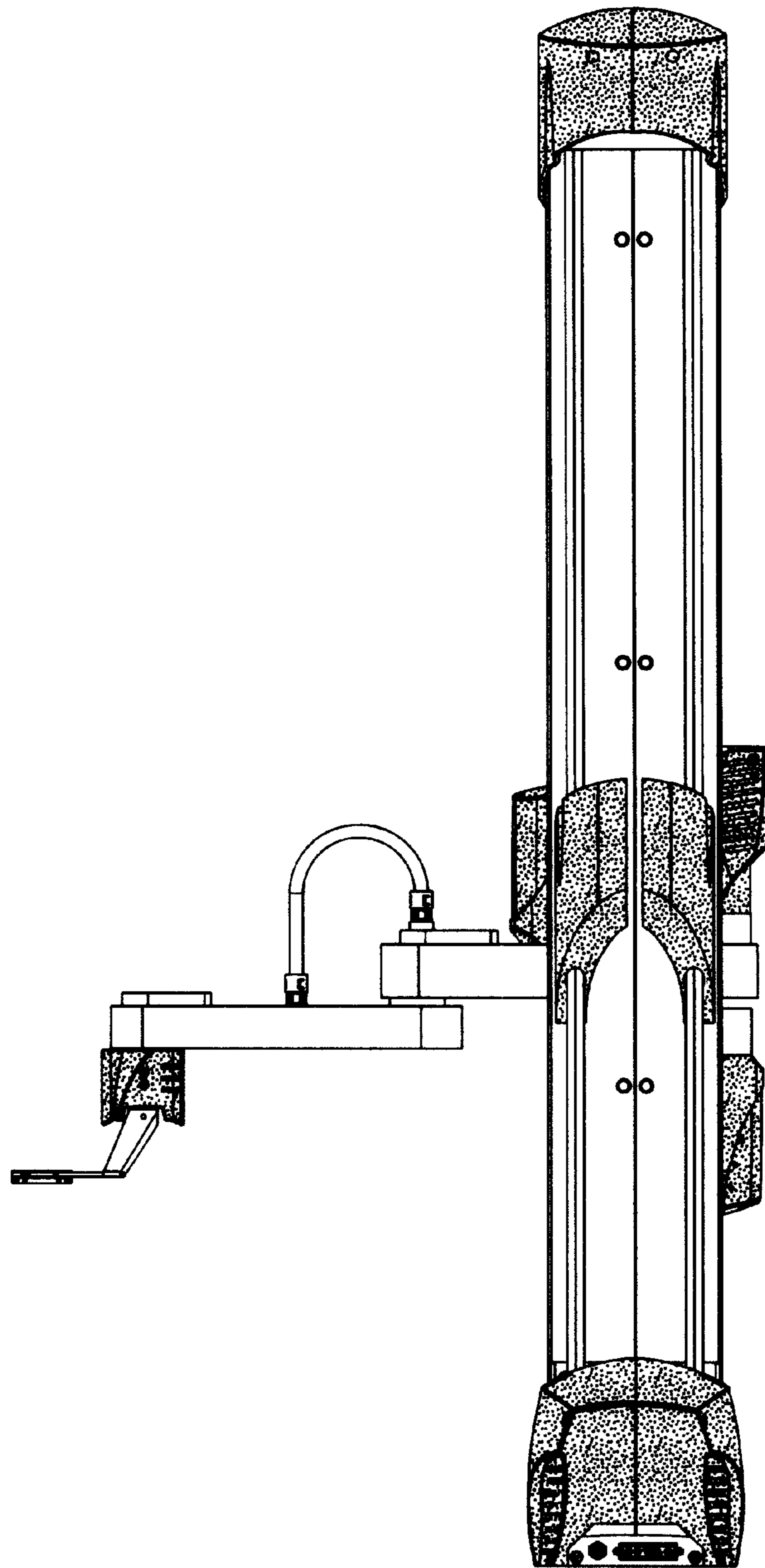


FIG. 10

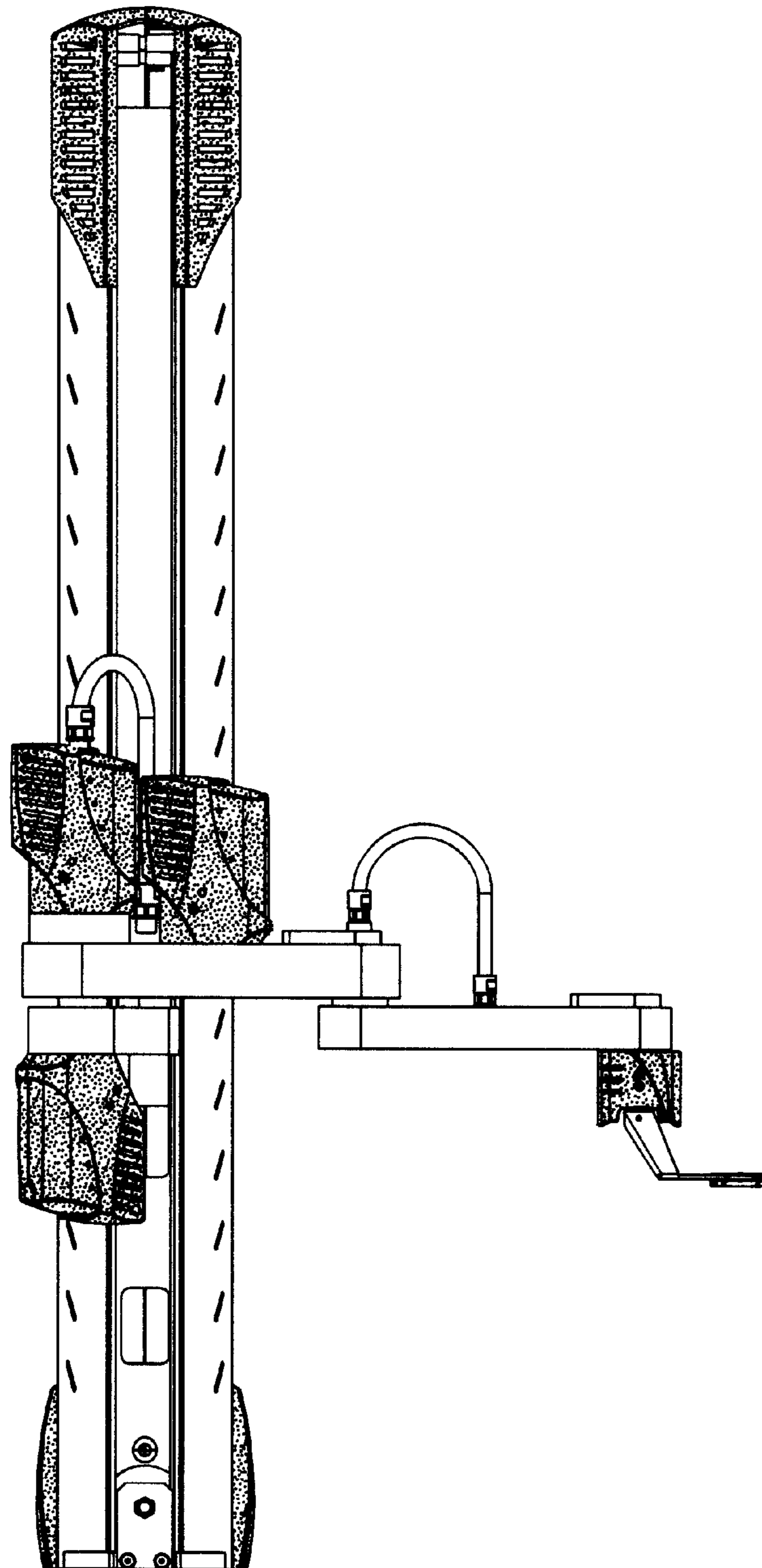


FIG. 11

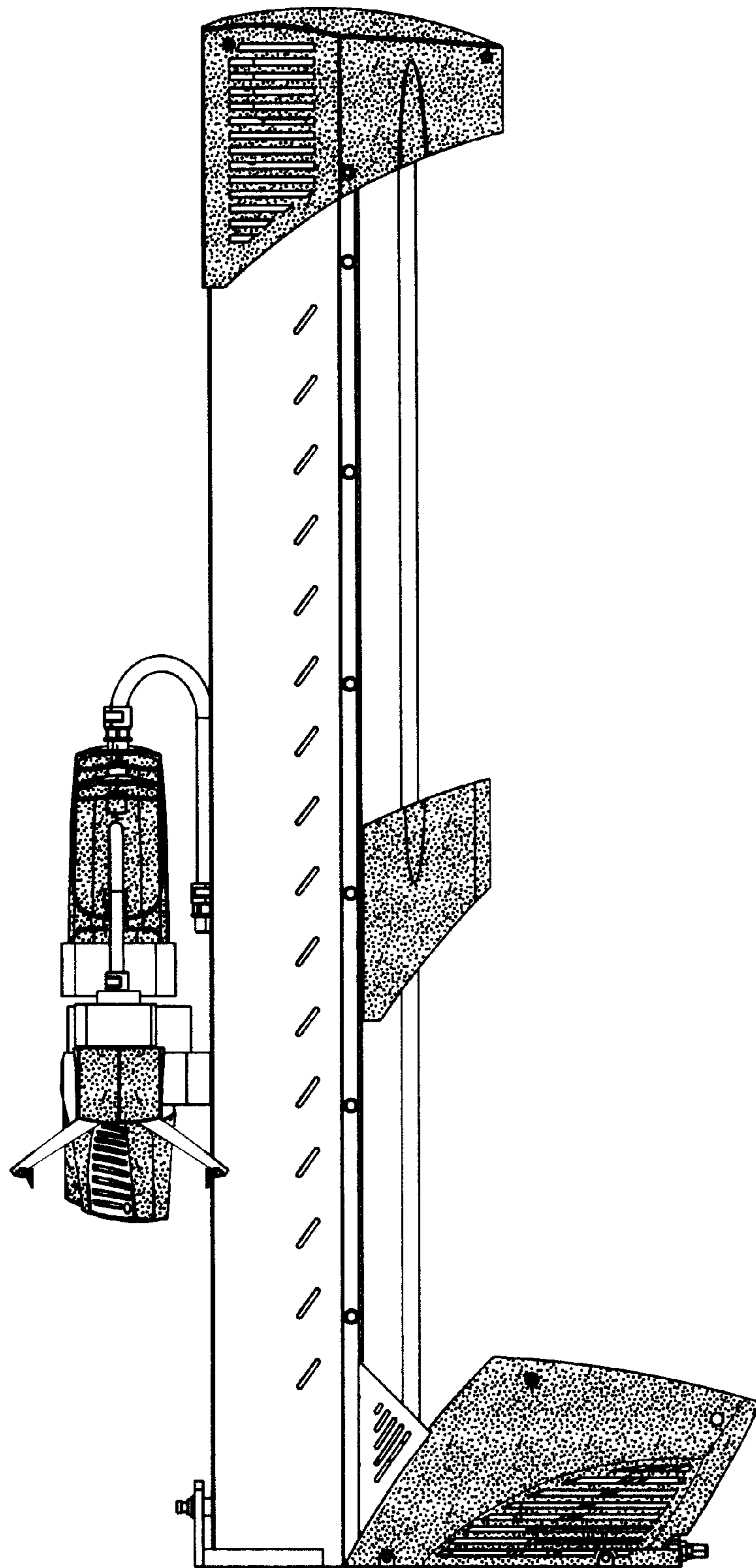


FIG. 12

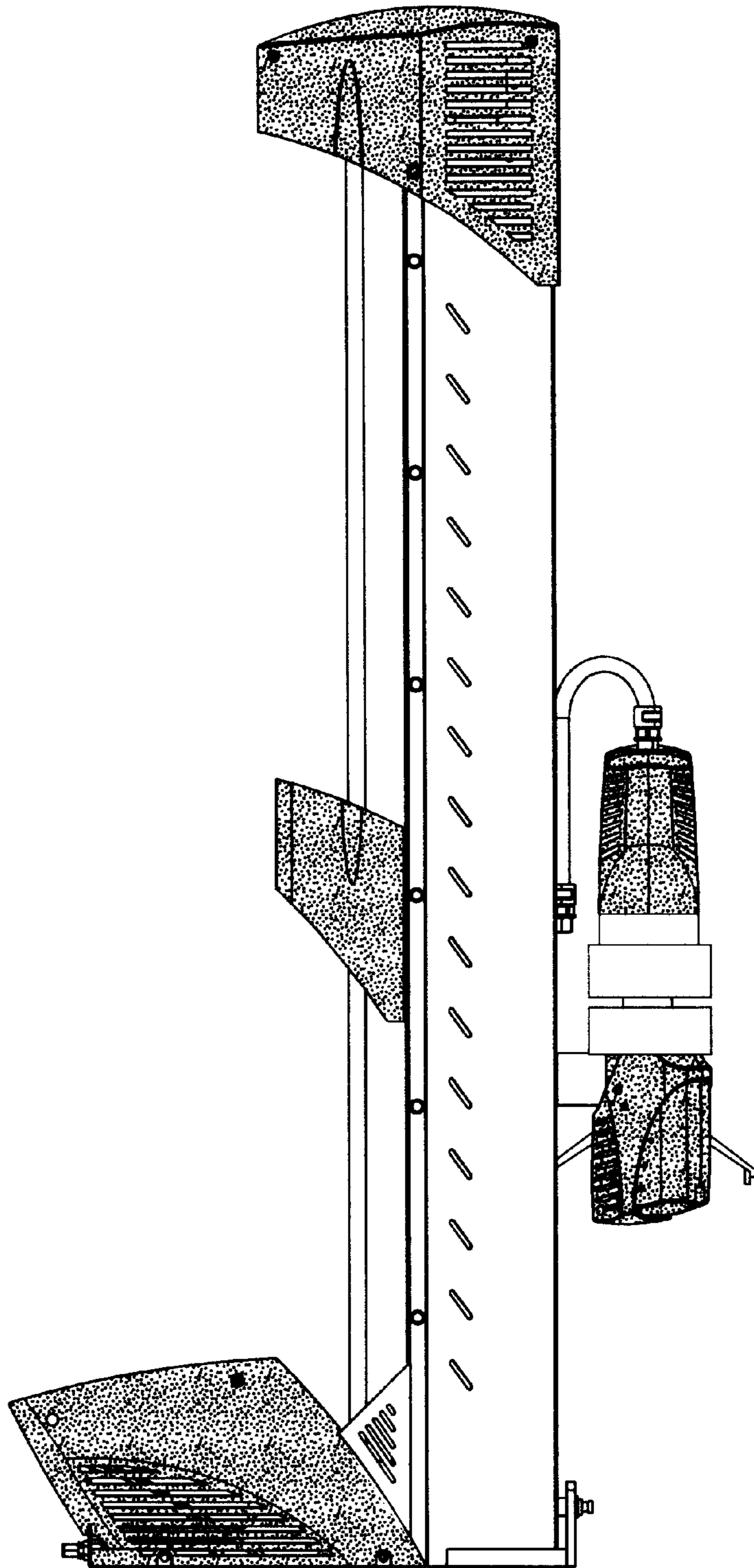


FIG. 13

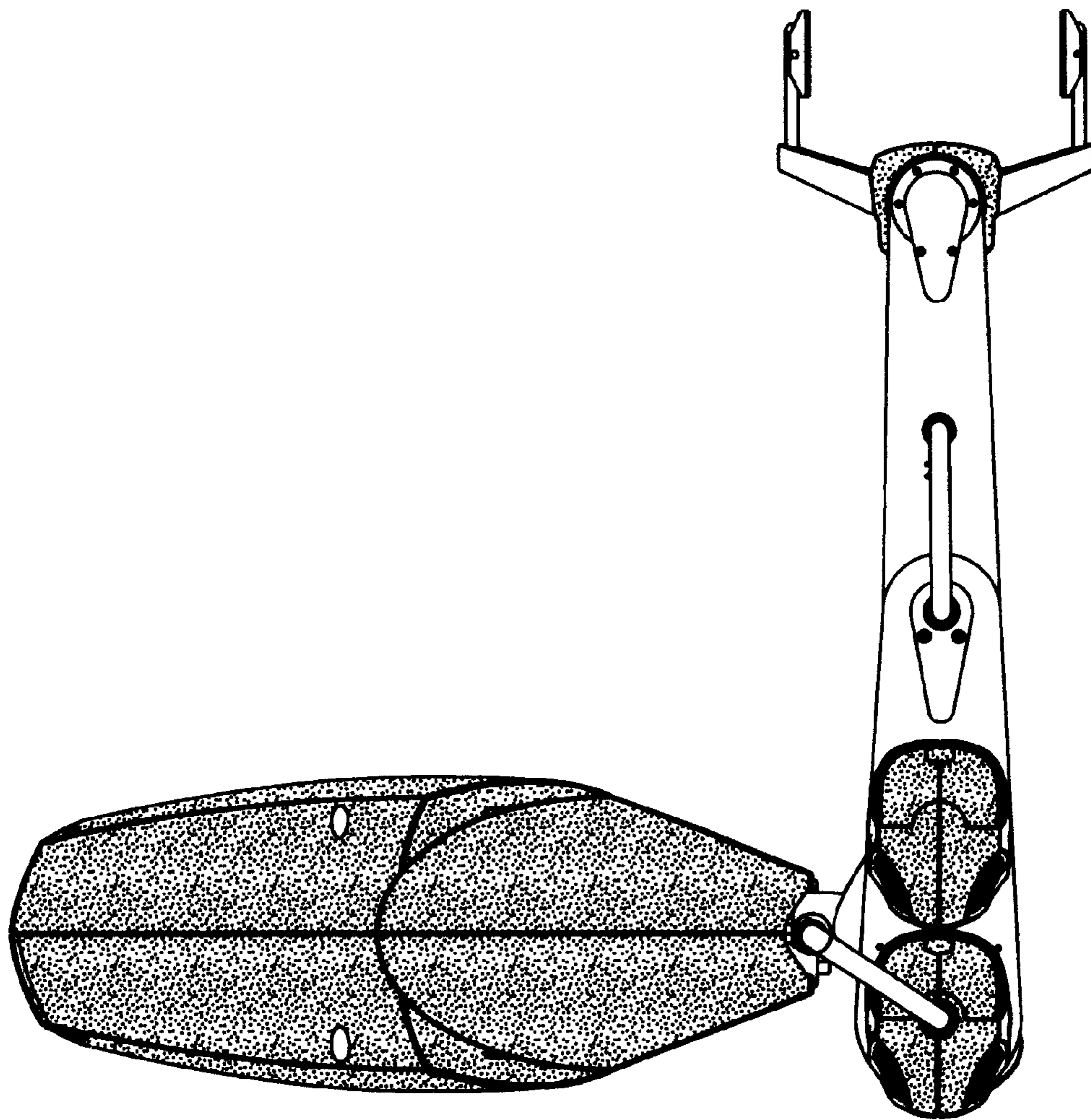


FIG. 14