

US00D493474S1

(12) **United States Design Patent**
Oakes

(10) **Patent No.:** **US D493,474 S**

(45) **Date of Patent:** **** Jul. 27, 2004**

(54) **PORTABLE TABLETOP POTTERS WHEEL**

Primary Examiner—Brian N. Vinson

(76) **Inventor:** **Kenton T. Oakes**, 1946 John Towers Ave., El Cajon, CA (US) 92020

(57) **CLAIM**

The ornamental design for portable tabletop potters wheel, as shown and described.

(**) **Term:** **14 Years**

DESCRIPTION

(21) **Appl. No.:** **29/179,458**

FIG. 1 is a left front perspective view of the portable tabletop potters wheel;

(22) **Filed:** **Apr. 11, 2003**

FIG. 2 is a right front perspective view of the portable tabletop potters wheel of FIG. 1;

(51) **LOC (7) Cl.** **15-09**

(52) **U.S. Cl.** **D15/130**

(58) **Field of Search** D15/122, 130;
425/263–268, 459, 463

FIG. 3 is a front view of the portable tabletop potters wheel; FIG. 4 is a rear view of the portable tabletop potters wheel; FIG. 5 is a right side view of the portable tabletop potters wheel;

(56) **References Cited**

U.S. PATENT DOCUMENTS

- 3,995,983 A * 12/1976 Shenker 425/459
- D243,276 S * 2/1977 Soldner D15/130
- D245,009 S * 7/1977 Ebstein D15/130
- D251,378 S * 3/1979 Doyel D15/130 X
- D253,828 S * 1/1980 Soldner D15/130
- 5,783,123 A * 7/1998 Edwards et al. 425/263 X

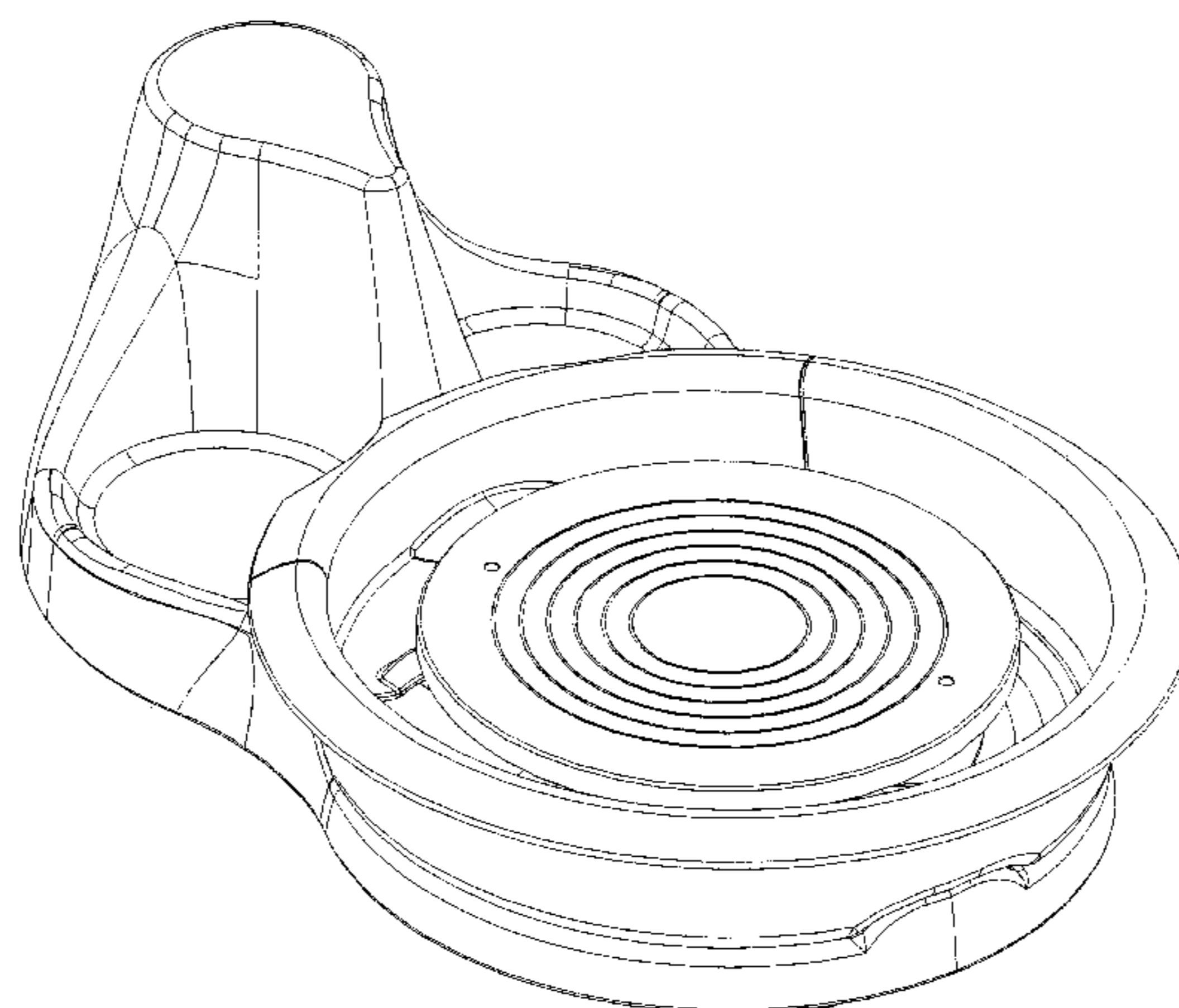
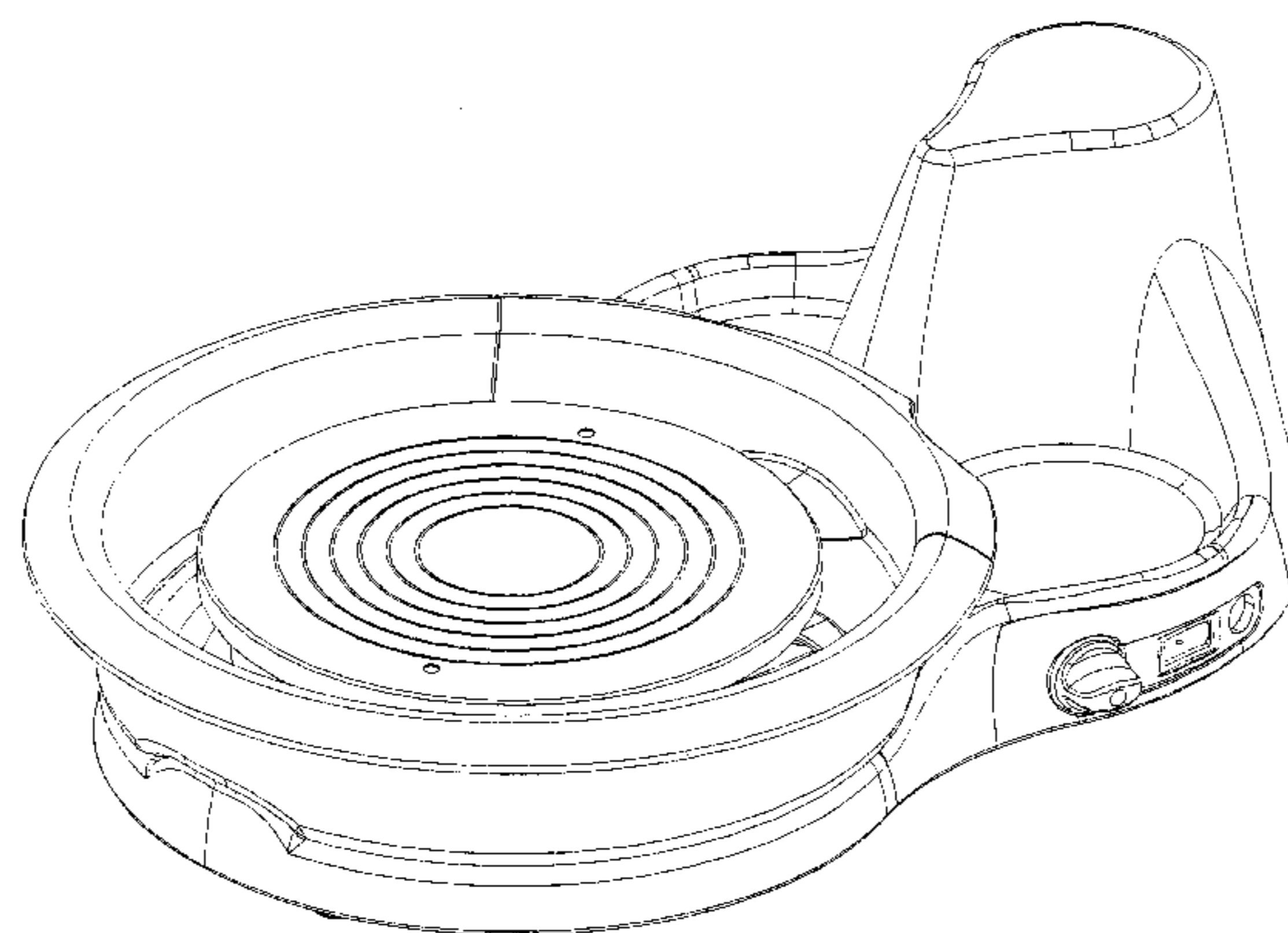
FIG. 6 is a left side view of the portable tabletop potters wheel;

FIG. 7 is top view of the portable tabletop potters wheel; and,

FIG. 8 is a bottom view of the portable tabletop potters wheel.

* cited by examiner

1 Claim, 8 Drawing Sheets



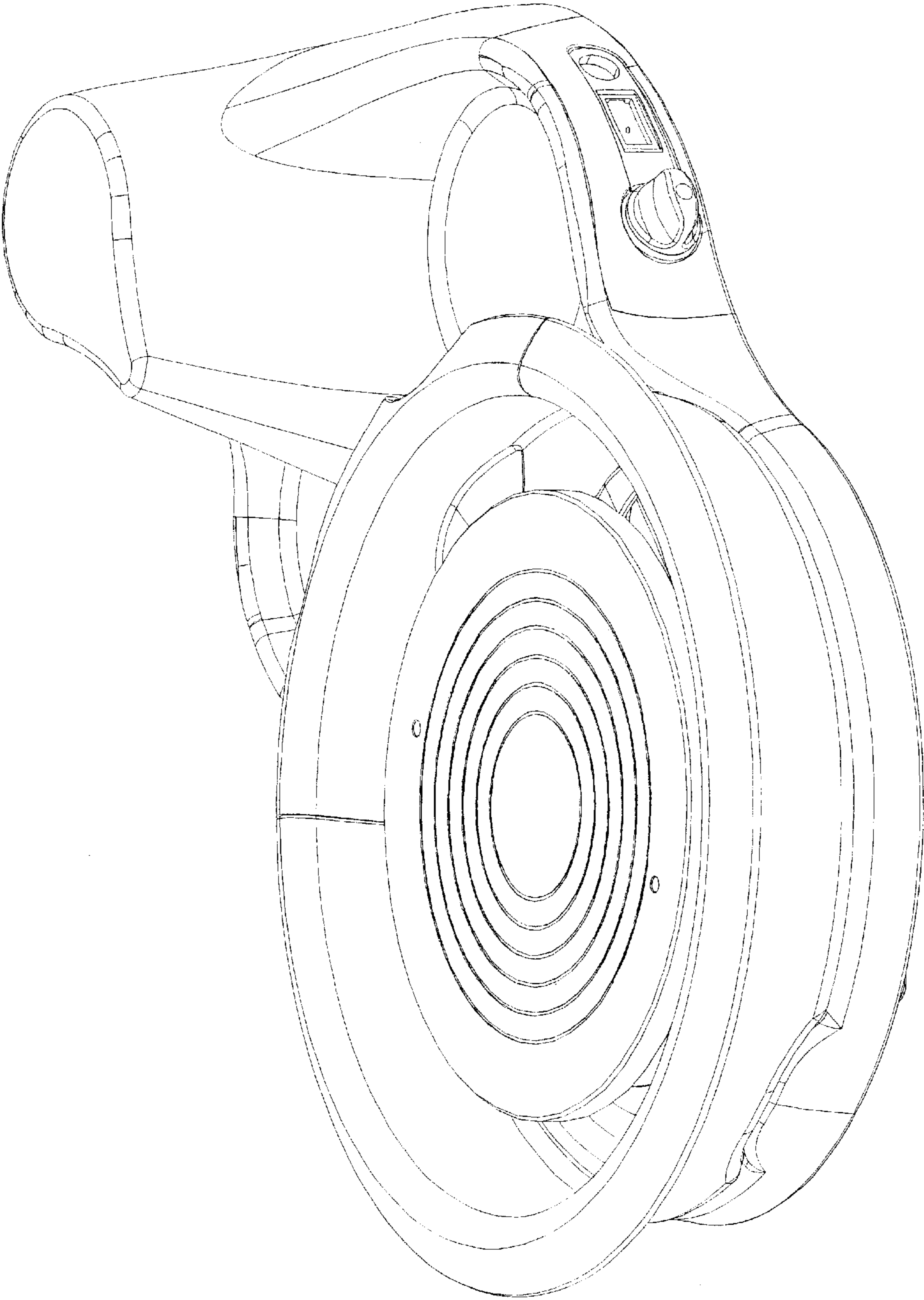


Fig. 1

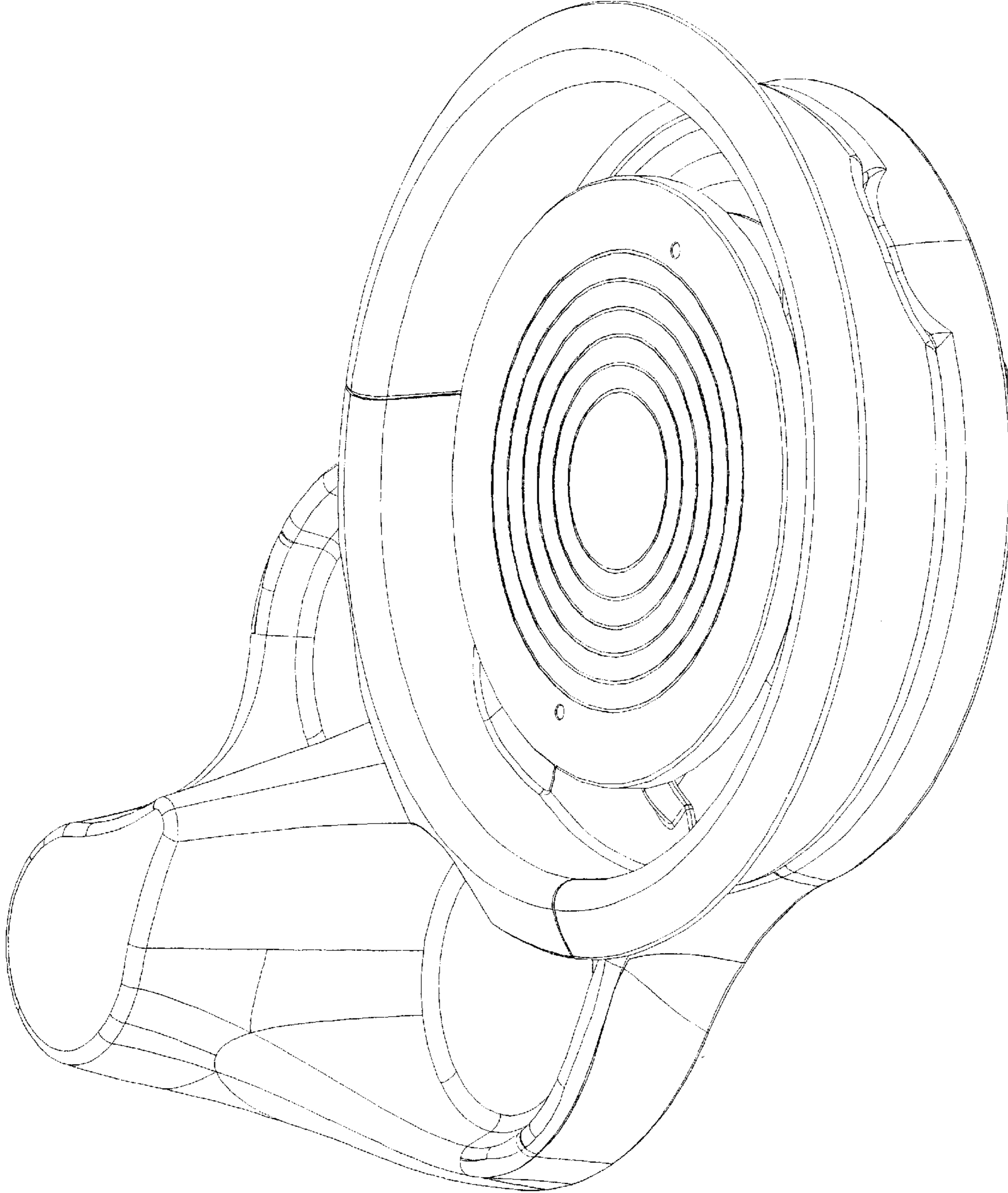


Fig. 2

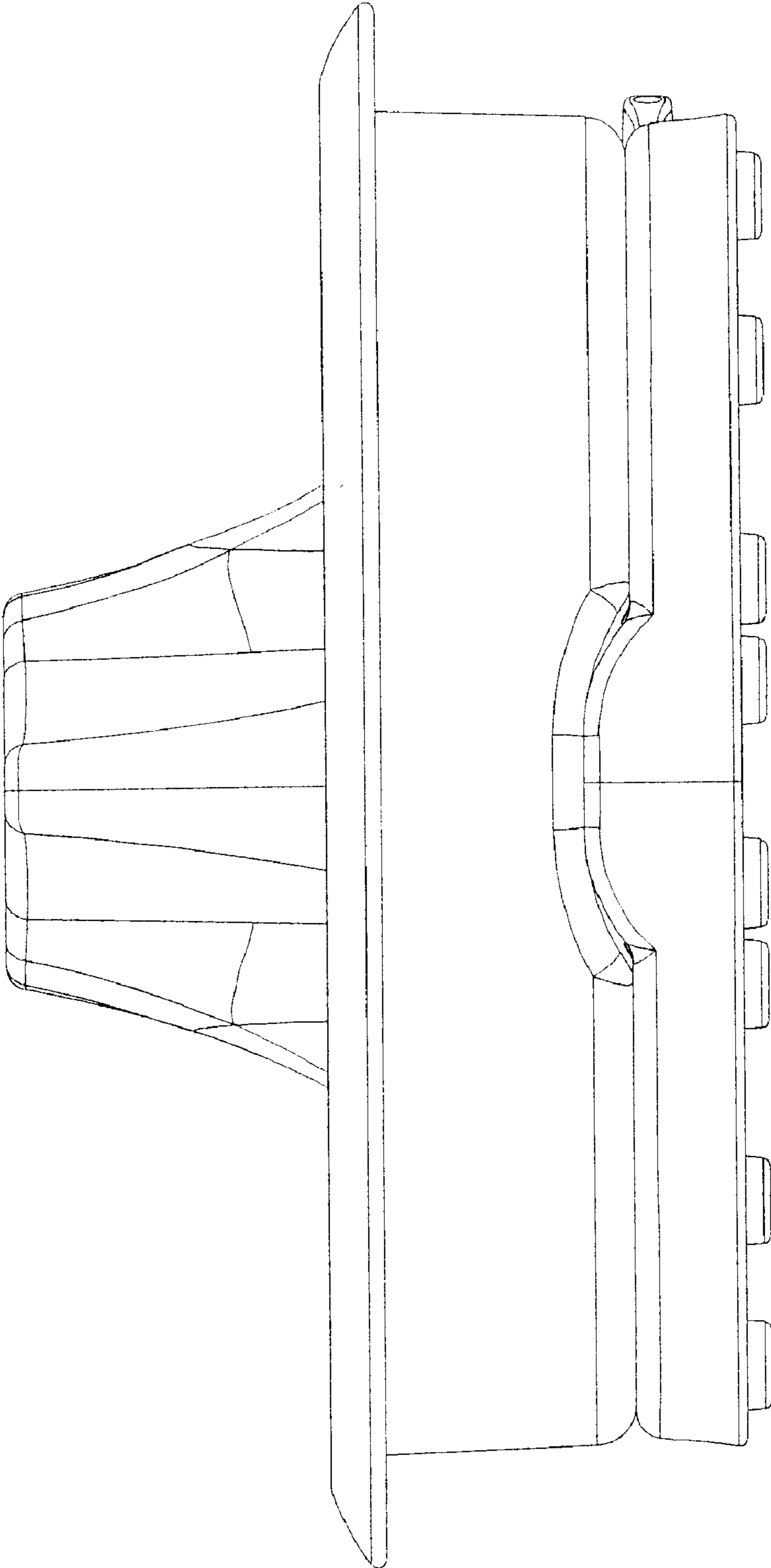


Fig. 3

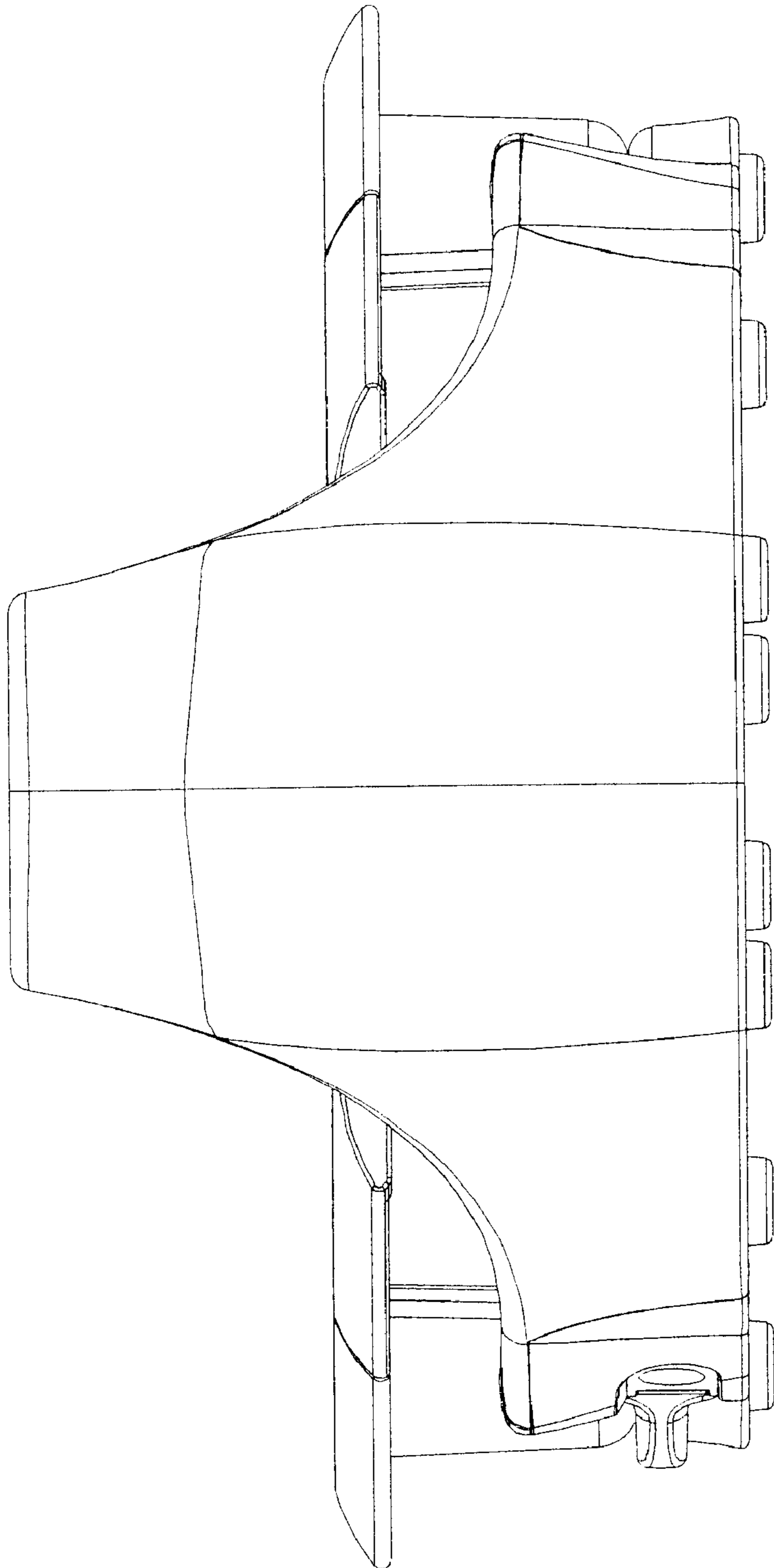


Fig. 4

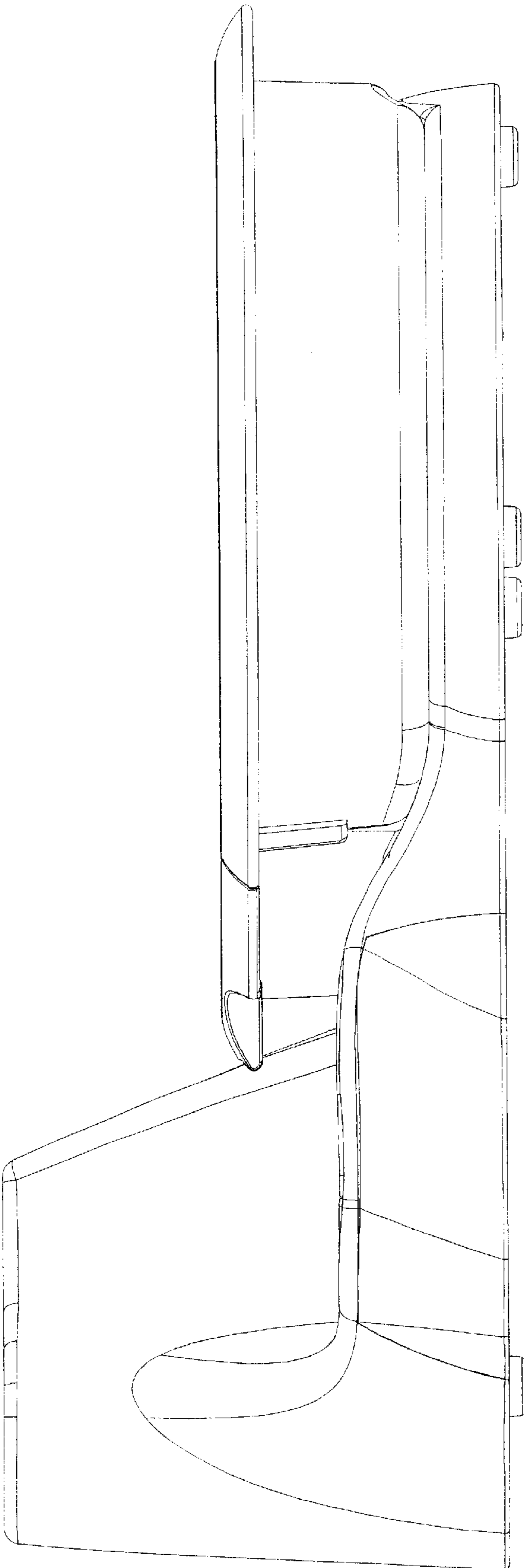


Fig. 5

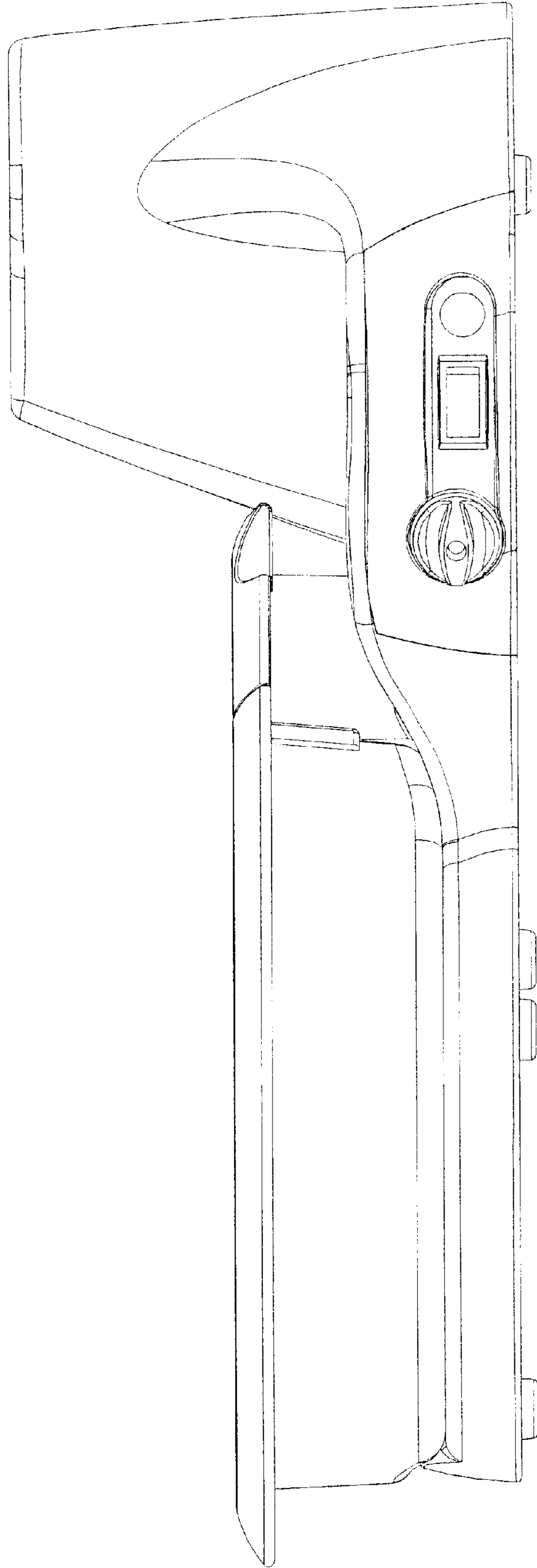


Fig. 6

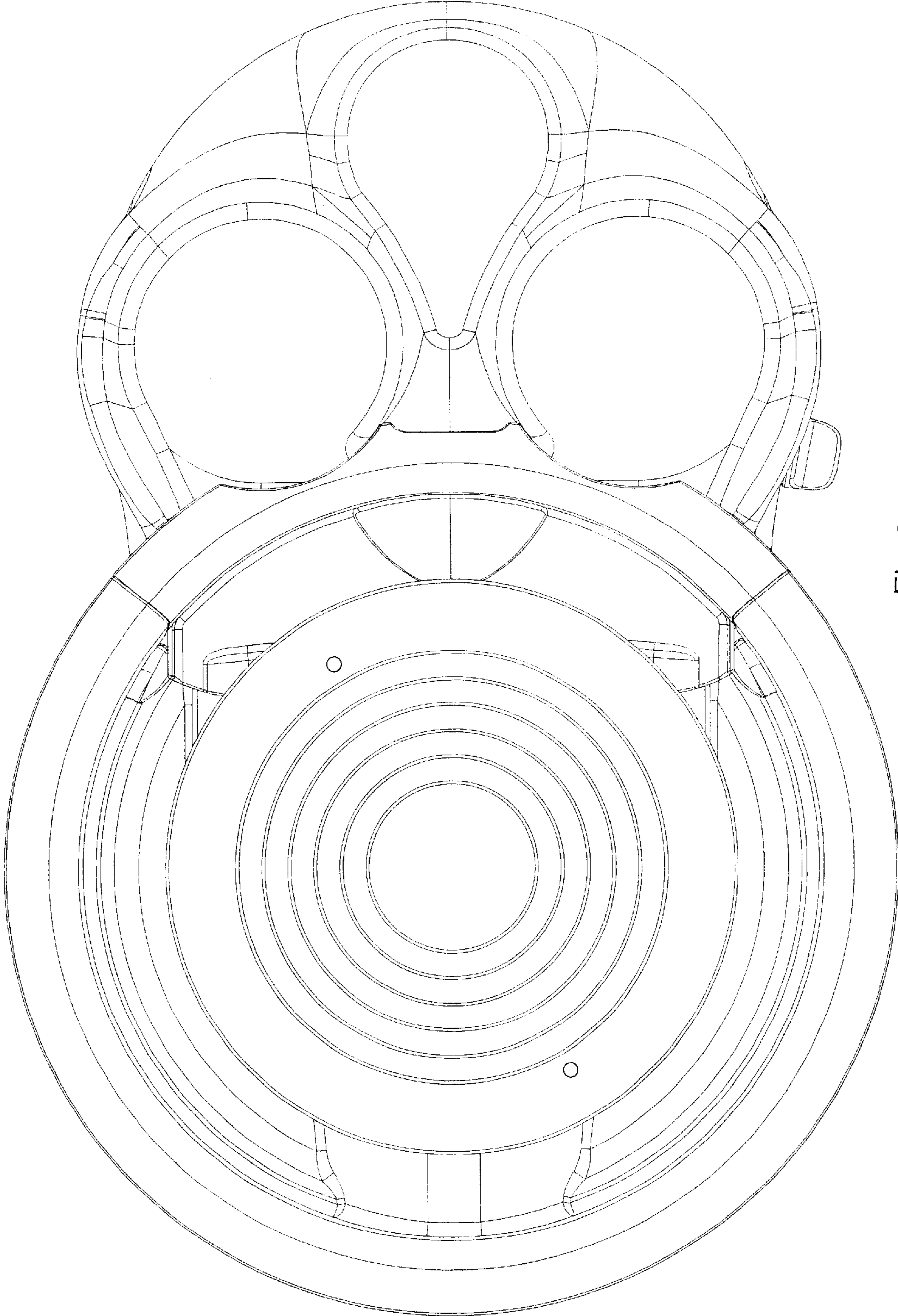


Fig. 7

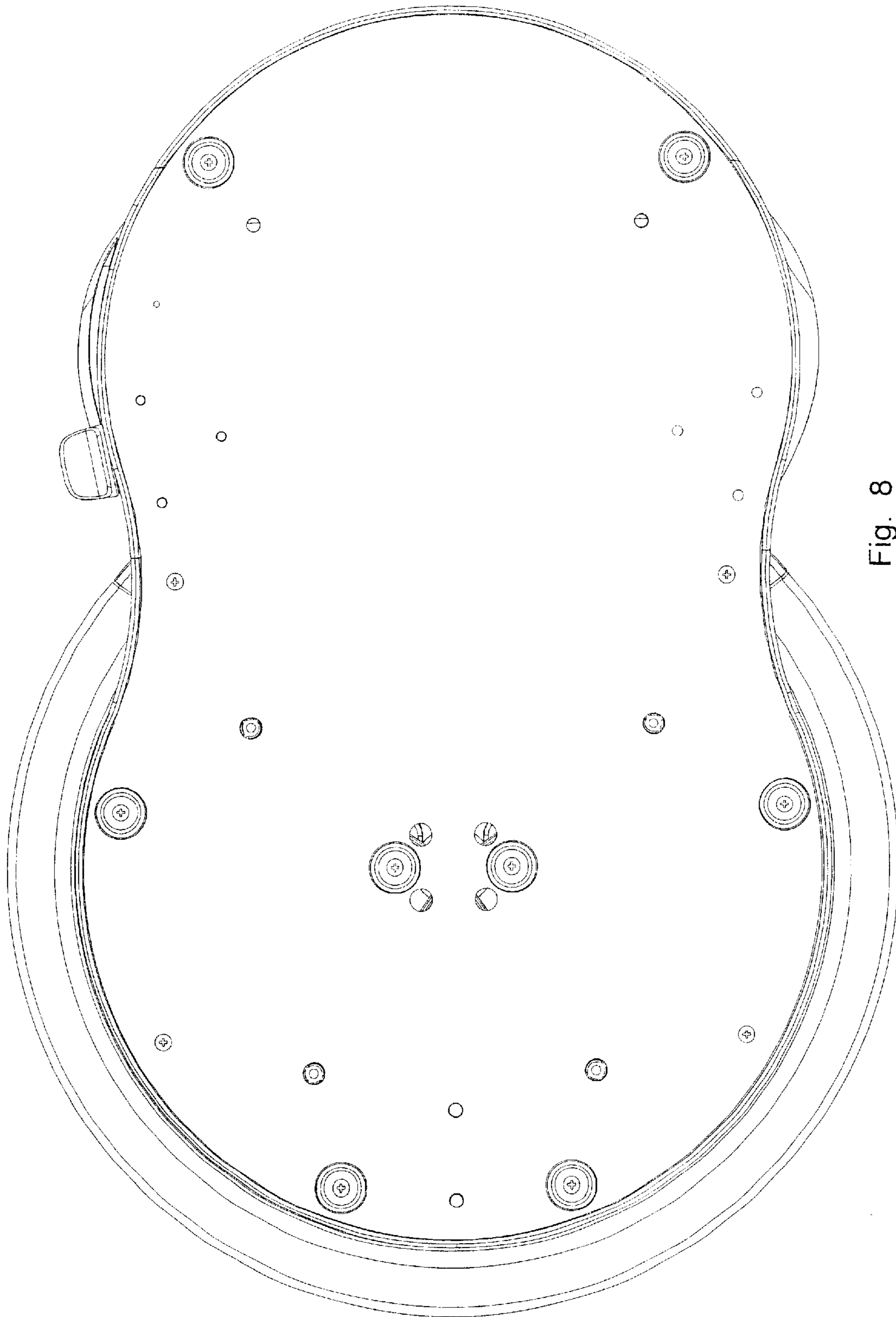


Fig. 8