

US00D493473S1

(12) **United States Design Patent**  
**Kim et al.**

(10) **Patent No.:** **US D493,473 S**  
(45) **Date of Patent:** **\*\* Jul. 27, 2004**

(54) **KIMCHI REFRIGERATOR**  
(75) Inventors: **Sang Hun Kim**, Kyunggi-do (KR);  
**Seon Il Yu**, Kyunggi-do (KR)

D451,936 S \* 12/2001 Ma et al. .... D15/85  
6,526,769 B2 \* 3/2003 Kim ..... 62/199  
6,666,045 B1 \* 12/2003 Song ..... 62/441

\* cited by examiner

(73) Assignee: **LG Electronics Inc.**, Seoul (KR)  
(\*\*) Term: **14 Years**

*Primary Examiner*—Mitchell Siegel  
(74) *Attorney, Agent, or Firm*—Birch, Stewart, Kolasch &  
Birch, LLP

(21) Appl. No.: **29/188,359**  
(22) Filed: **Aug. 19, 2003**

(57) **CLAIM**

The ornamental design for kimchi refrigerator, as shown and described.

(30) **Foreign Application Priority Data**  
Feb. 20, 2003 (KR) ..... 30-2003-0004404

**DESCRIPTION**

(51) **LOC (7) Cl.** ..... **15-07**  
(52) **U.S. Cl.** ..... **D15/86**  
(58) **Field of Search** ..... D15/79-88; 62/125-127,  
62/382, 414, 331, 285, 441, 199, 200; 312/235,  
296, 139.2, 329

FIG. 1 is perspective view of the kimchi refrigerator;  
FIG. 2 is a front view thereof;  
FIG. 3 is a rear view thereof;  
FIG. 4 is a left side view thereof, where the right side view  
is a mirror image;  
FIG. 5 is a top plan view thereof; and,  
FIG. 6 is a bottom plan view thereof.

(56) **References Cited**  
**U.S. PATENT DOCUMENTS**

5,388,427 A \* 2/1995 Lee ..... 62/331

**1 Claim, 4 Drawing Sheets**

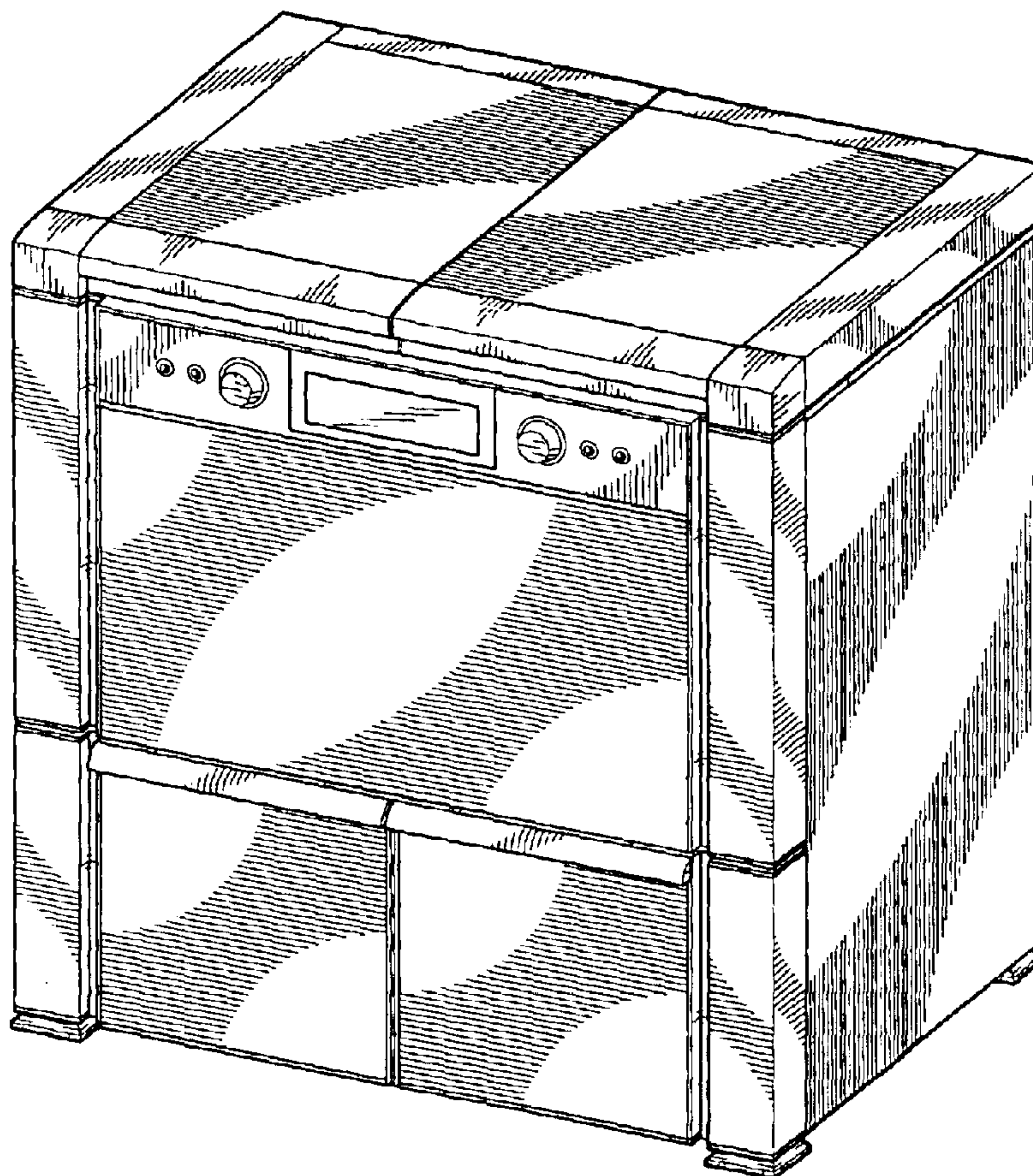


FIG. 1

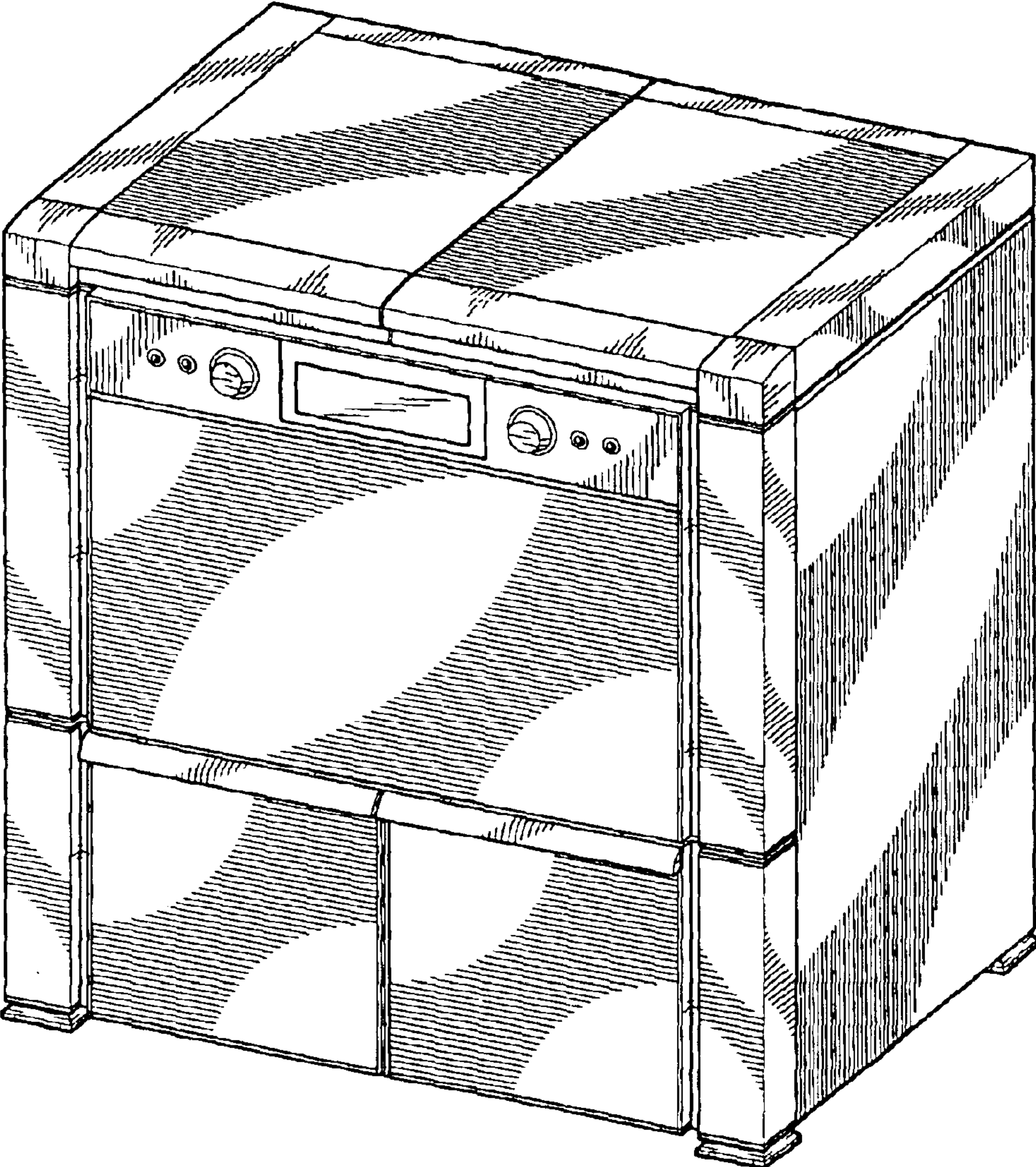




FIG. 2

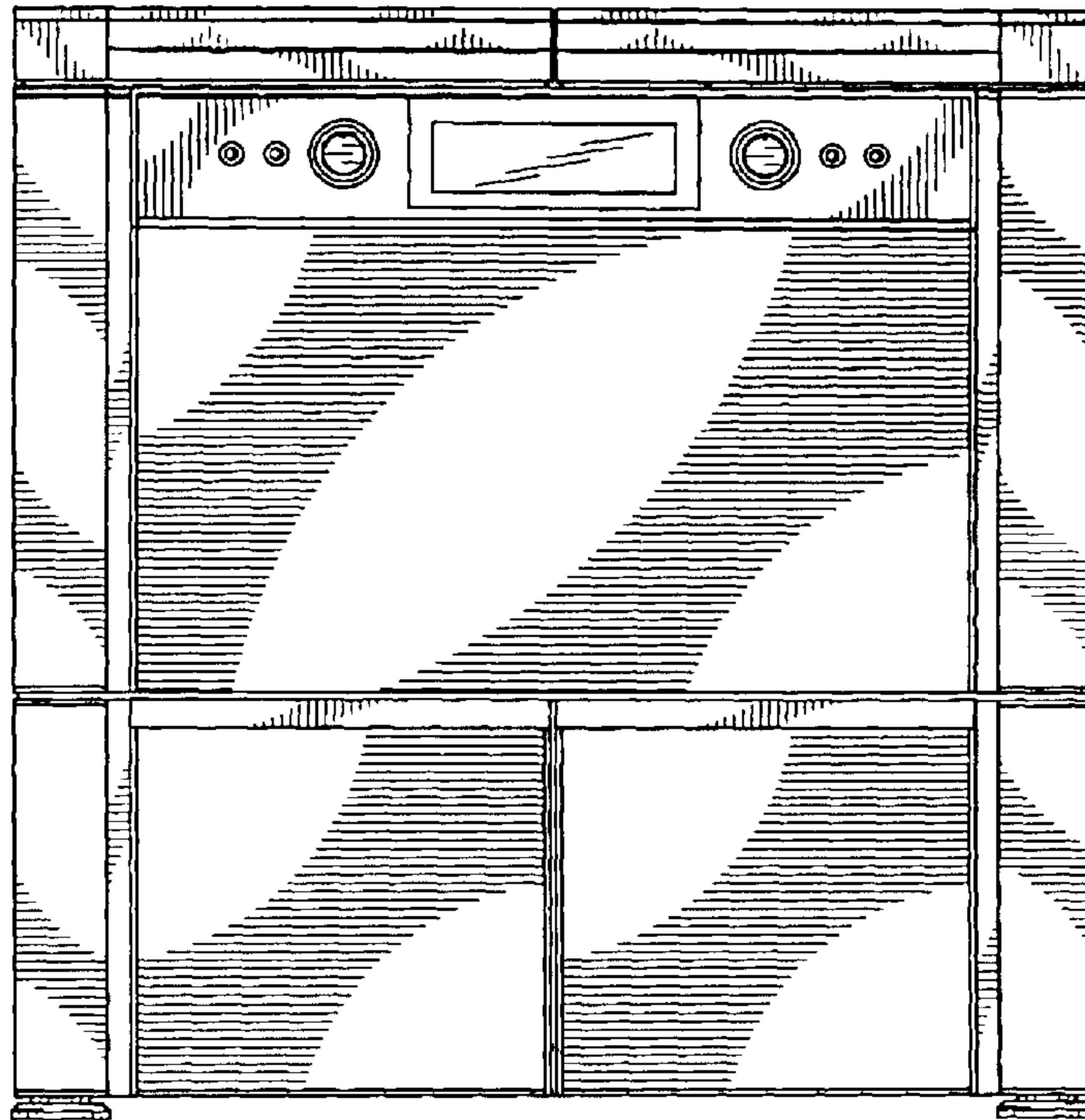


FIG. 3

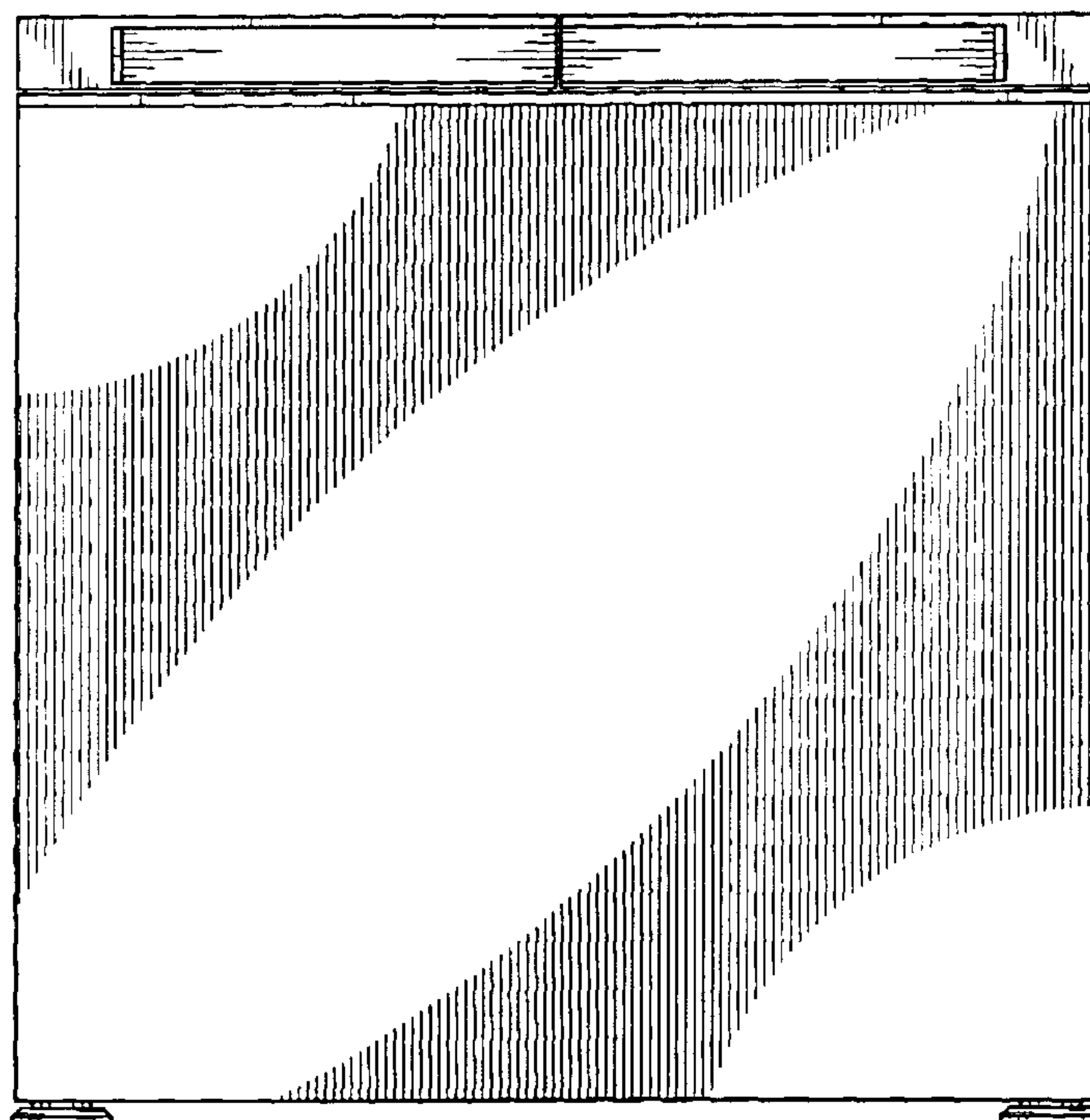


FIG. 4

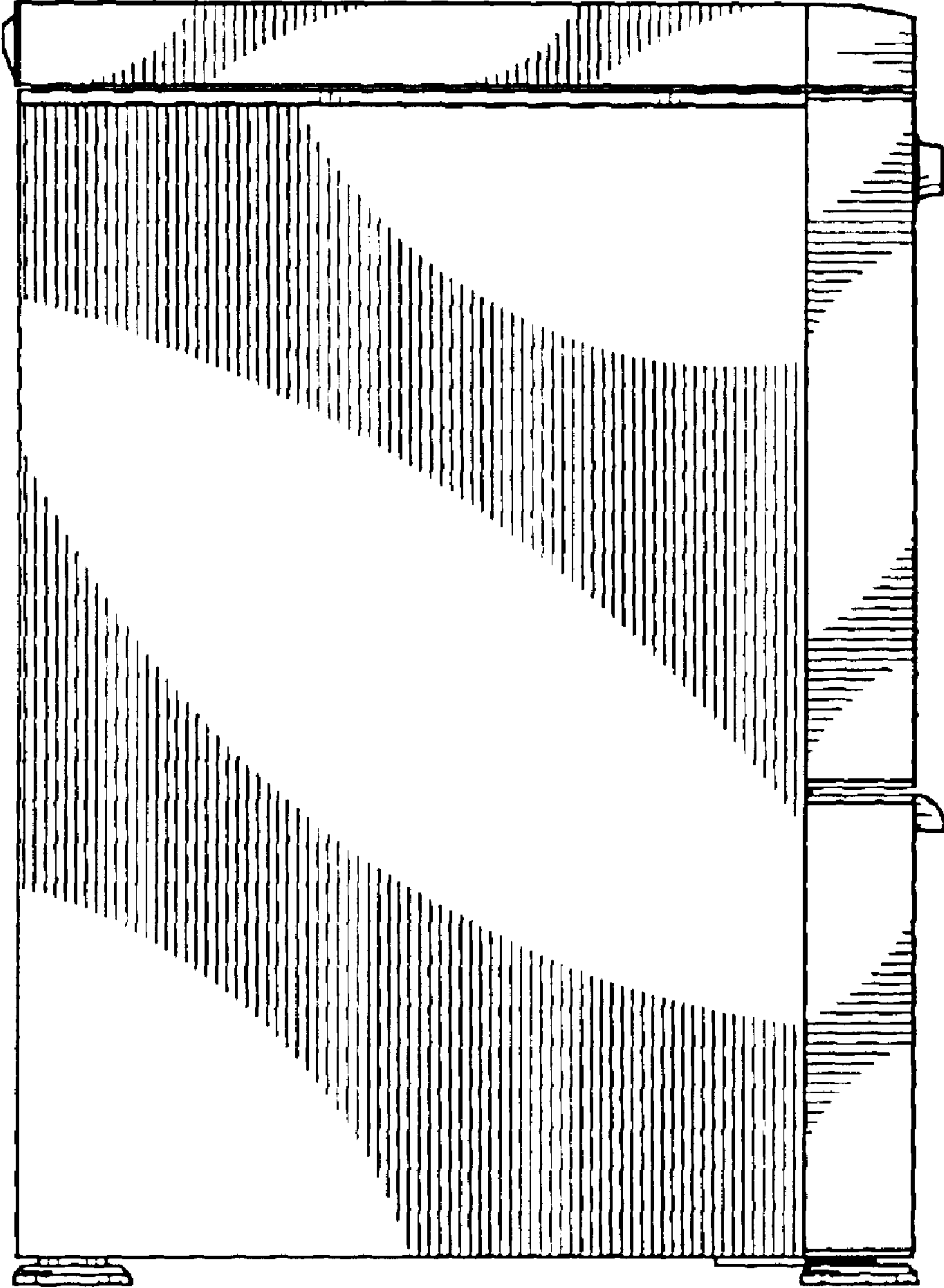


FIG. 5

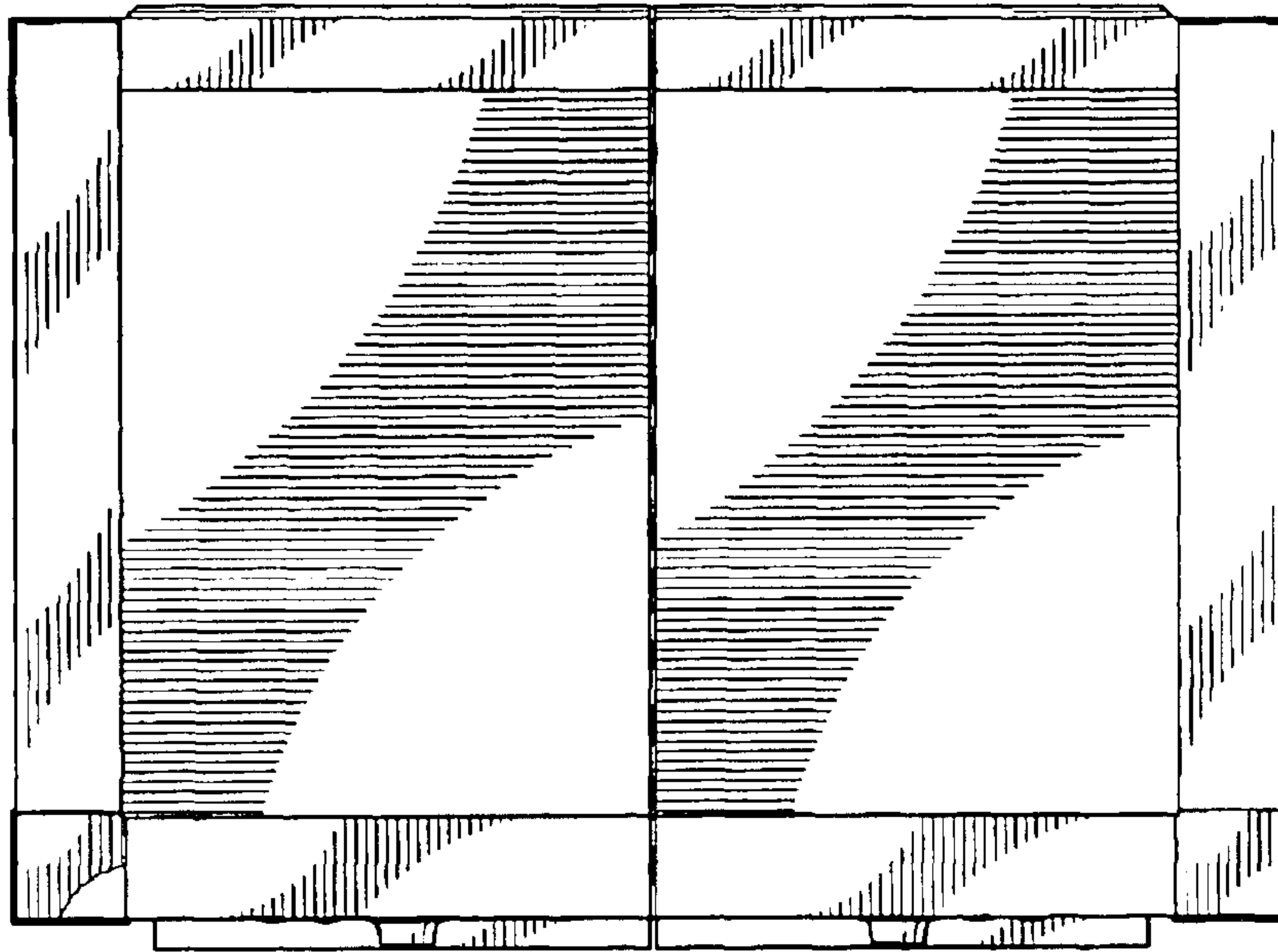


FIG. 6

