

US00D493472S1

(12) **United States Design Patent**
Higashikawa et al.

(10) **Patent No.:** **US D493,472 S**
(45) **Date of Patent:** **** Jul. 27, 2004**

(54) **RIDING-TYPE MOWER**

(75) Inventors: **Yoshitaka Higashikawa, Sakai (JP);**
Hideya Umemoto, Sakai (JP)

(73) Assignee: **Kubota Corporation, Osaka (JP)**

(**) Term: **14 Years**

(21) Appl. No.: **29/192,331**

(22) Filed: **Oct. 22, 2003**

Related U.S. Application Data

(62) Division of application No. 29/166,656, filed on Aug. 30, 2002, now Pat. No. Des. 486,160.

(51) **LOC (7) Cl.** **15-03**

(52) **U.S. Cl.** **D15/28**

(58) **Field of Search** D15/10, 14-17,
D15/22-26, 28, 33; 56/13.4, 16.7, 17.5,
202, 255, 294, 320.1, 320.2, 15.8, 15.9,
303, 601; 180/89.1, 89.2, 900

(56) **References Cited**

U.S. PATENT DOCUMENTS

D209,043 S * 10/1967 Purcell D15/28

D354,756 S * 1/1995 Hinklin D15/15
D448,036 S * 9/2001 Goebert et al. D15/17
D449,056 S * 10/2001 Westimayer et al. D15/28
D453,777 S * 2/2002 Williams D15/33
D460,088 S * 7/2002 Hohnl et al. D15/33
D484,894 S * 1/2004 McCord et al. D15/28

* cited by examiner

Primary Examiner—Mitchell Siegel

(74) *Attorney, Agent, or Firm*—Webb Ziesenheim Logsdon
Orkin & Hanson P.C.

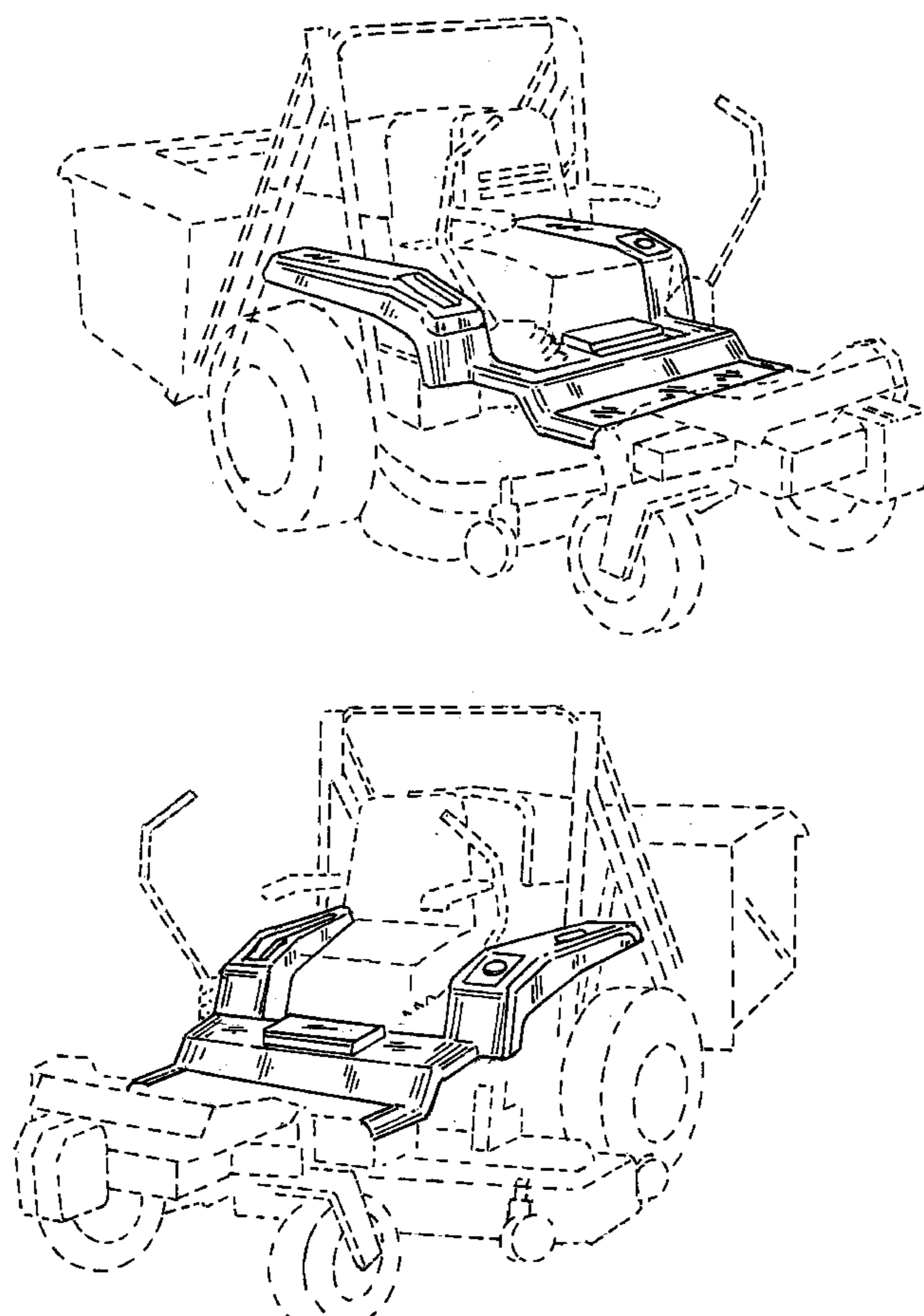
(57) **CLAIM**

The ornamental design for a riding-type mower, as shown and described.

DESCRIPTION

FIG. 1 is a right side view of the fender and floor portions of the riding-type mower;
FIG. 2 is a left side view thereof;
FIG. 3 is a front view thereof;
FIG. 4 is a top plan view thereof;
FIG. 5 is a perspective view thereof;
FIG. 6 is a perspective view thereof;
FIG. 7 is a perspective view thereof; and,
FIG. 8 is a perspective view thereof.

1 Claim, 5 Drawing Sheets



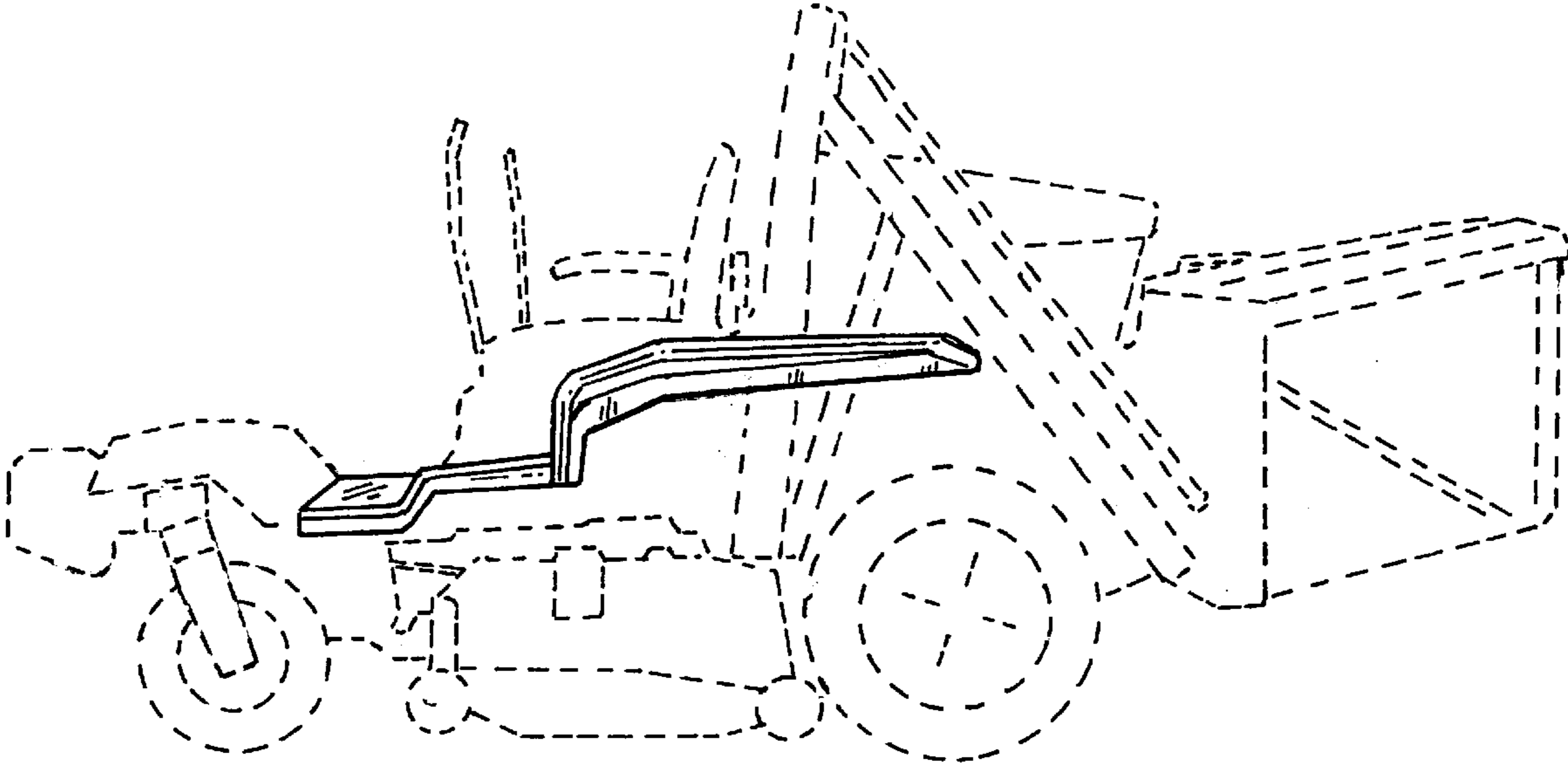


FIG. 1

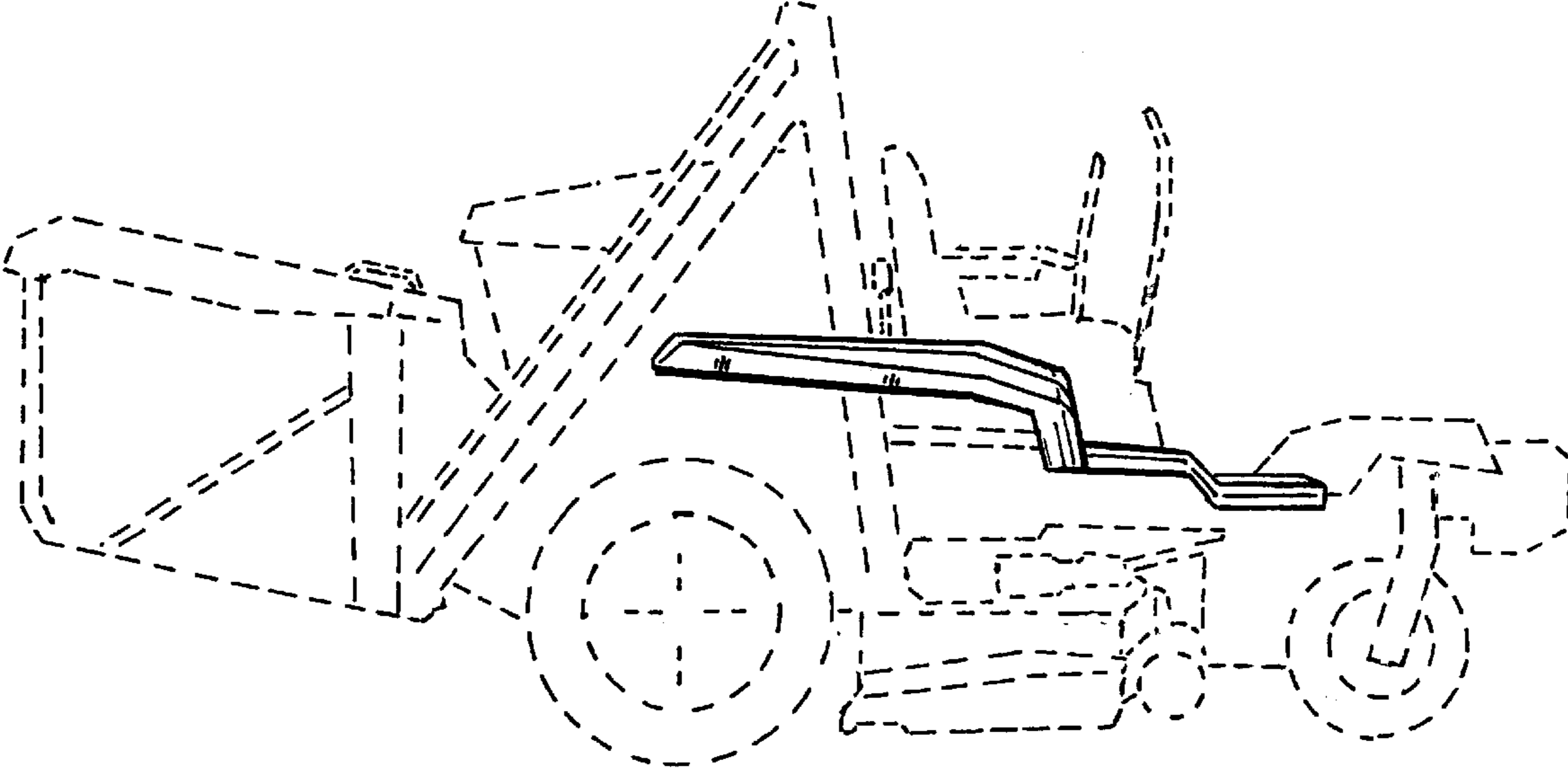


FIG. 2

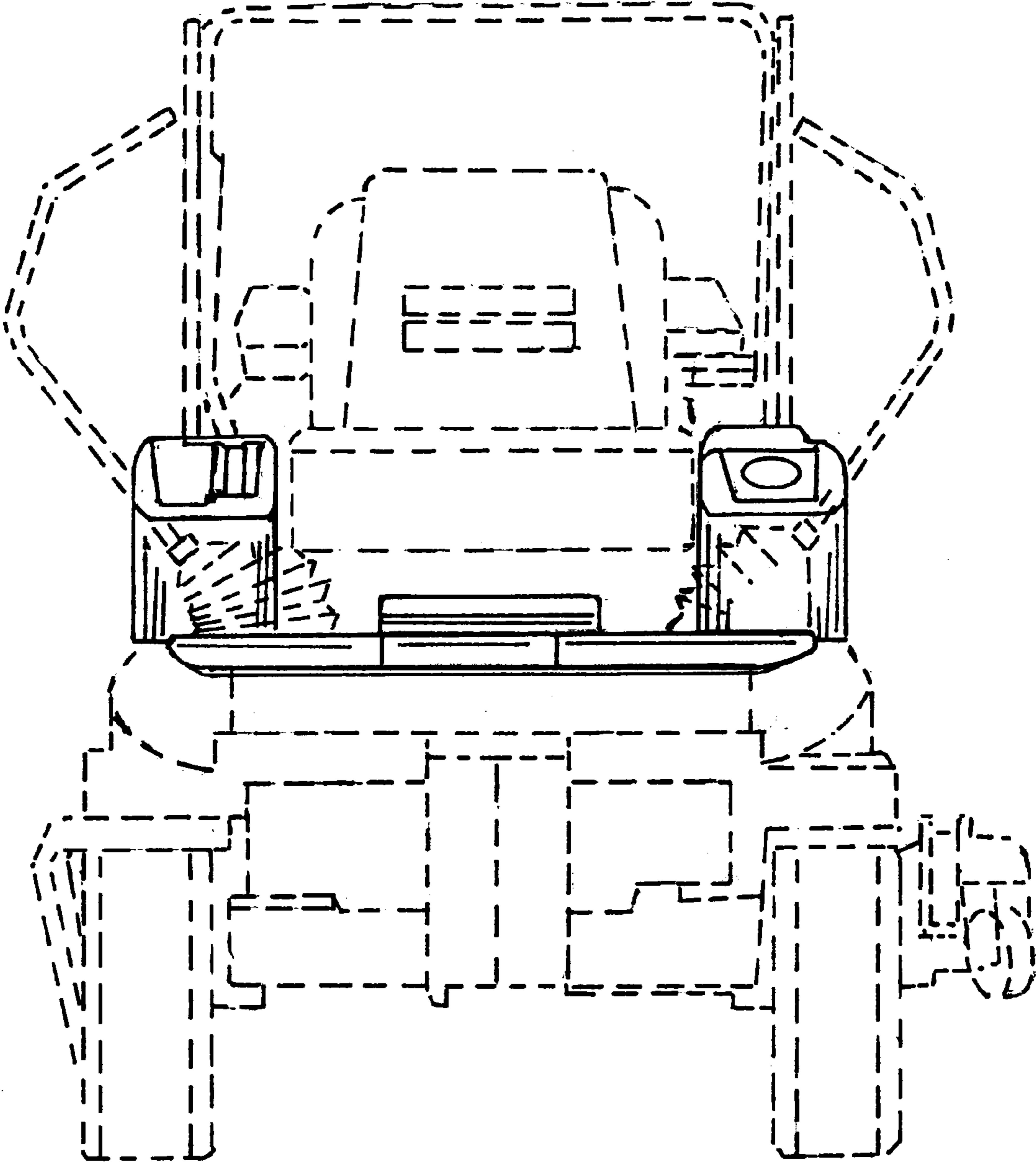


FIG. 3

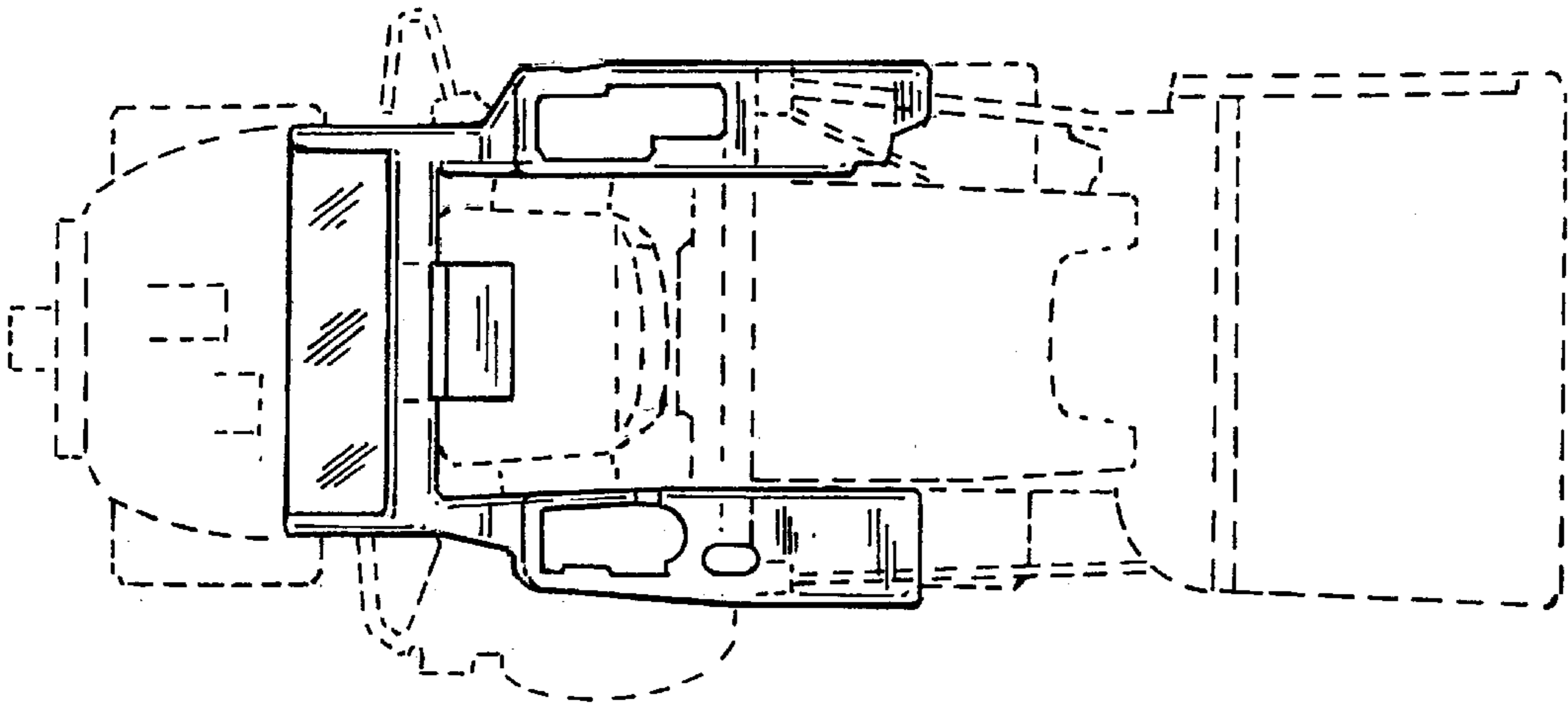


FIG. 4

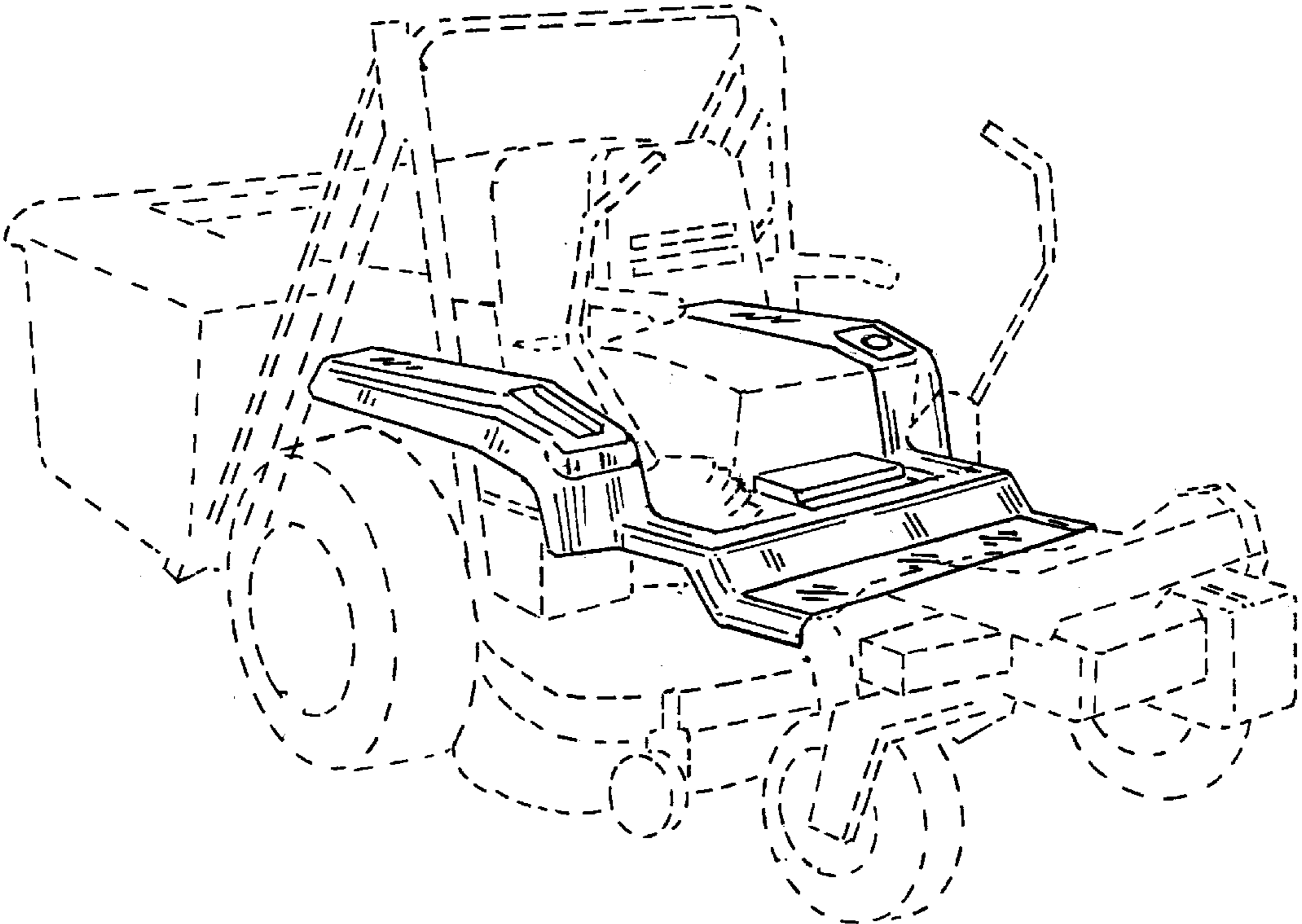


FIG. 5

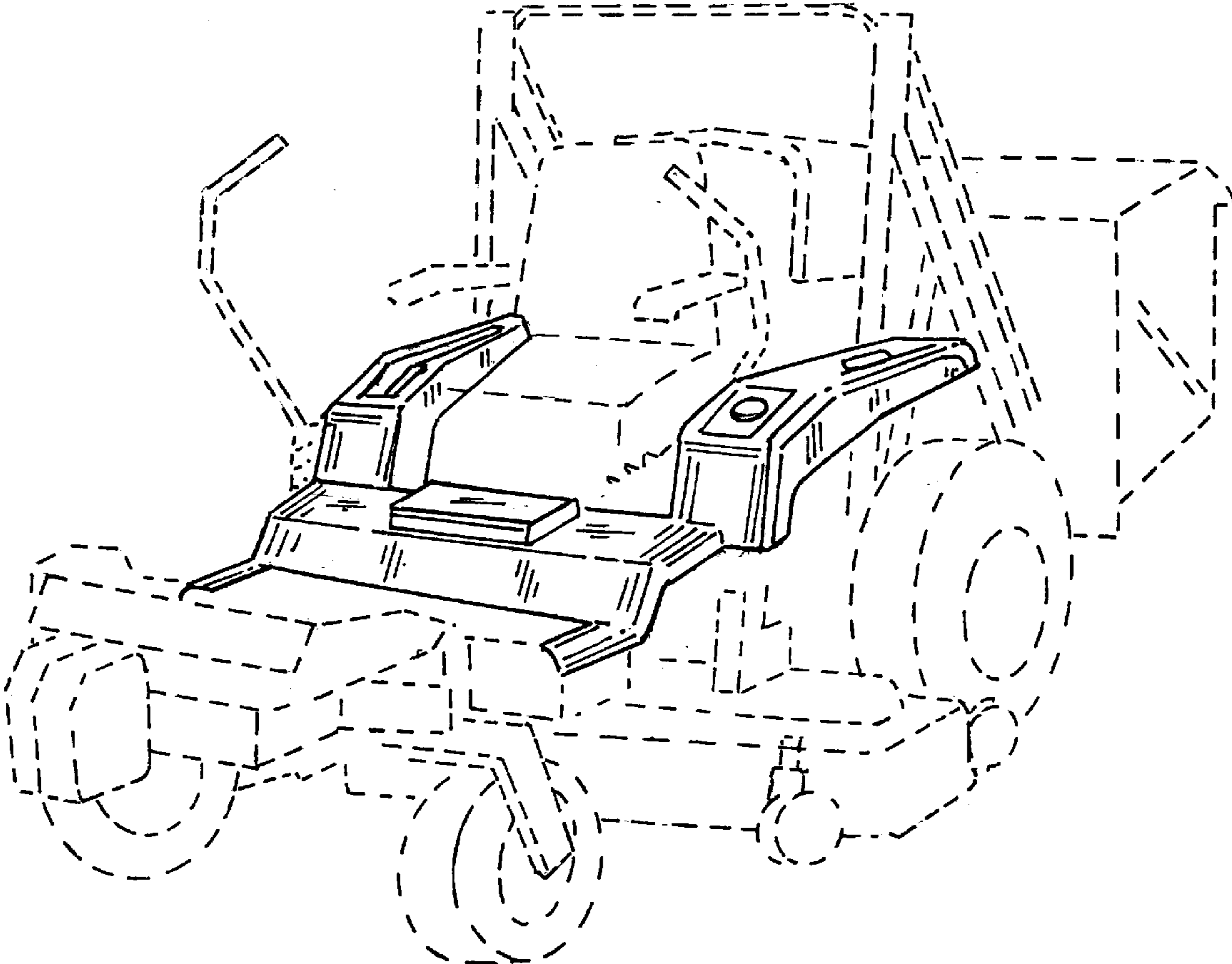


FIG. 6

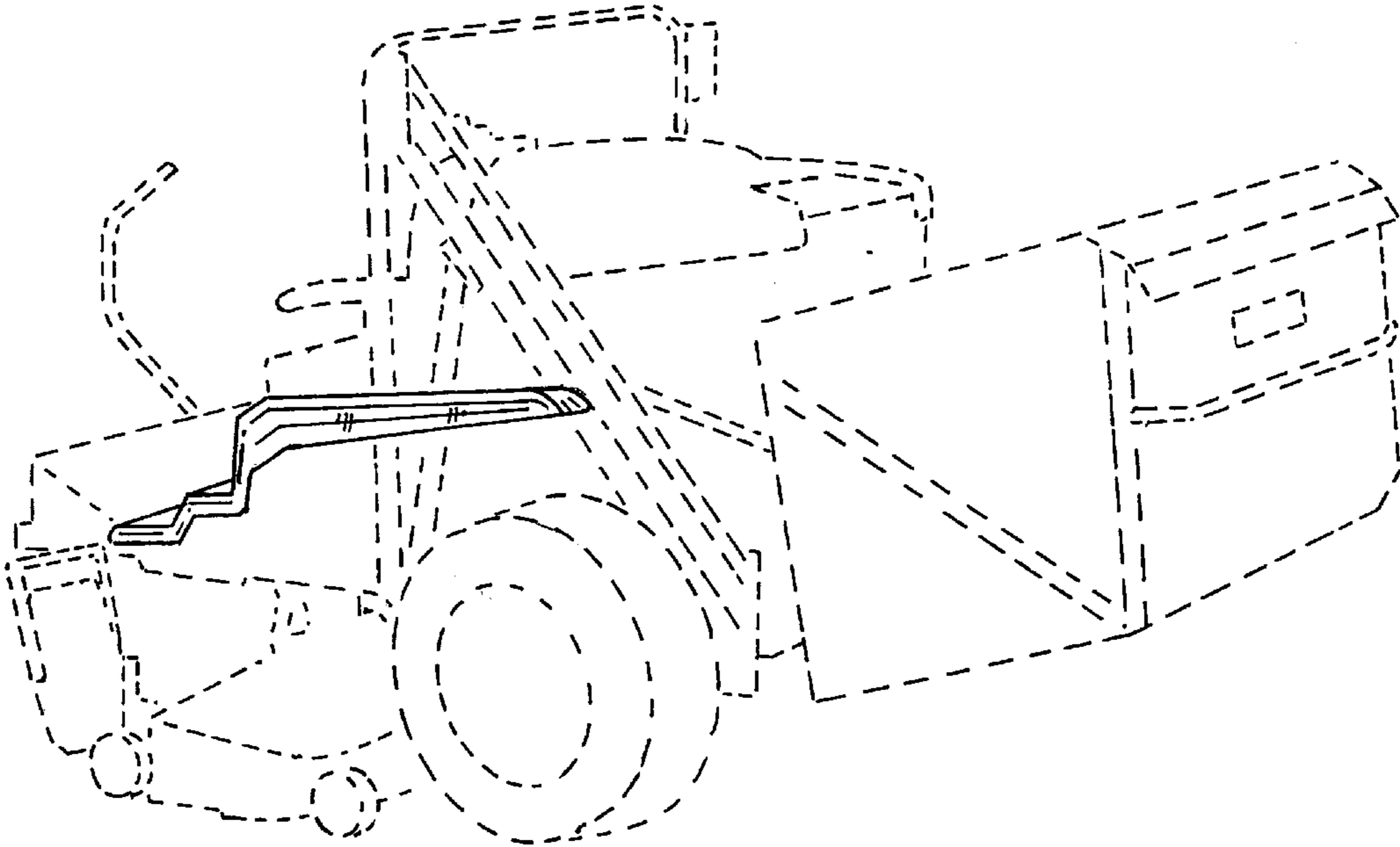


FIG. 7

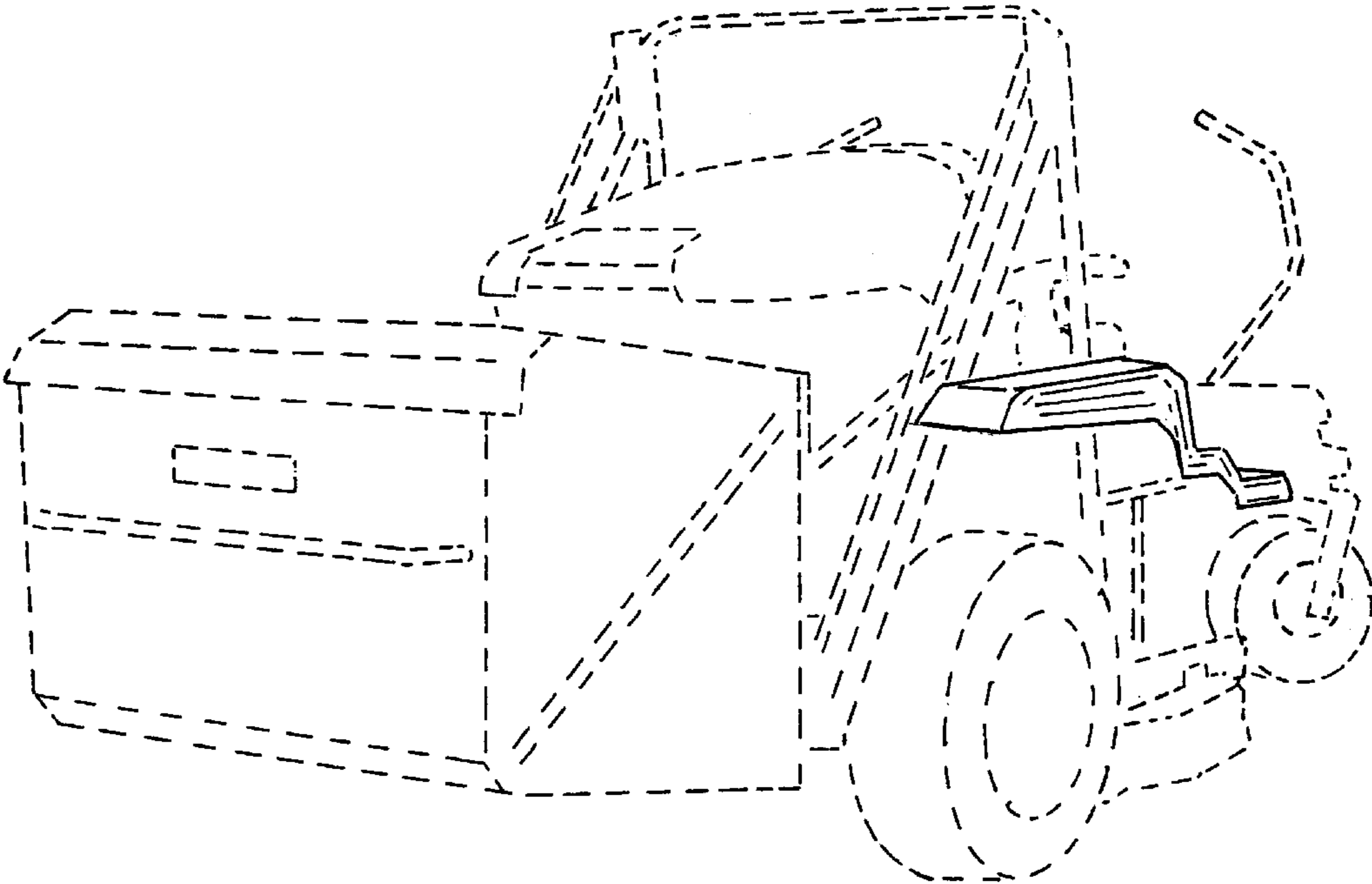


FIG. 8