

US00D493470S1

(12) **United States Design Patent**
Abbott et al.

(10) **Patent No.:** **US D493,470 S**
(45) **Date of Patent:** **** Jul. 27, 2004**

(54) **CARTRIDGE FOR INFORMATION STORAGE MEDIA**

(75) Inventors: **Perry E. Abbott**, Tucson, AZ (US);
Armando J. Argumedo, Tucson, AZ (US);
John R. Blair, Tucson, AZ (US);
Reed A. Hancock, Tucson, AZ (US);
James A. Jackmond, Tucson, AZ (US);
Kevin Kartchner, Tucson, AZ (US);
Joseph C. Ramirez, Tucson, AZ (US);
Raymond Yardy, Tucson, AZ (US)

(73) Assignee: **International Business Machines Corporation**, Armonk, NY (US)

(**) Term: **14 Years**

(21) Appl. No.: **29/173,763**

(22) Filed: **Jan. 6, 2003**

(51) **LOC (7) Cl.** **14-02**

(52) **U.S. Cl.** **D14/478**

(58) **Field of Search** D14/432, 435-8,
D14/478-80; D21/324-33; 273/148 B;
360/131-3, 97.01-99.12; 463/43-7, 1, 30;
206/312, 307, 308.1, 308.2, 472; 369/291,
273, 77.2

(56) **References Cited**

U.S. PATENT DOCUMENTS

D276,527 S * 11/1984 Flanigan

D277,851 S * 3/1985 Gresham et al.
D361,560 S * 8/1995 Shindo
D363,066 S * 10/1995 Tapani et al.
D370,009 S * 5/1996 Smedley, Jr. et al.
D394,050 S * 5/1998 Funawatari
D421,748 S * 3/2000 Sumner et al.
D470,498 S * 2/2003 Argumedo et al.

* cited by examiner

Primary Examiner—M. H. Tung
(74) *Attorney, Agent, or Firm*—Dale F. Regelman

(57) **CLAIM**

The ornamental design for a cartridge for information storage media, as shown.

DESCRIPTION

FIG. 1 is a top perspective view of a cartridge for information storage media;
FIG. 2 is a top plan view thereof;
FIG. 3 is a bottom perspective view thereof;
FIG. 4 is a bottom plan view thereof;
FIG. 5 is a front elevational view thereof;
FIG. 6 is a left side elevational view thereof;
FIG. 7 is a right side elevational view thereof; and,
FIG. 8 is a rear elevational view thereof.

1 Claim, 8 Drawing Sheets

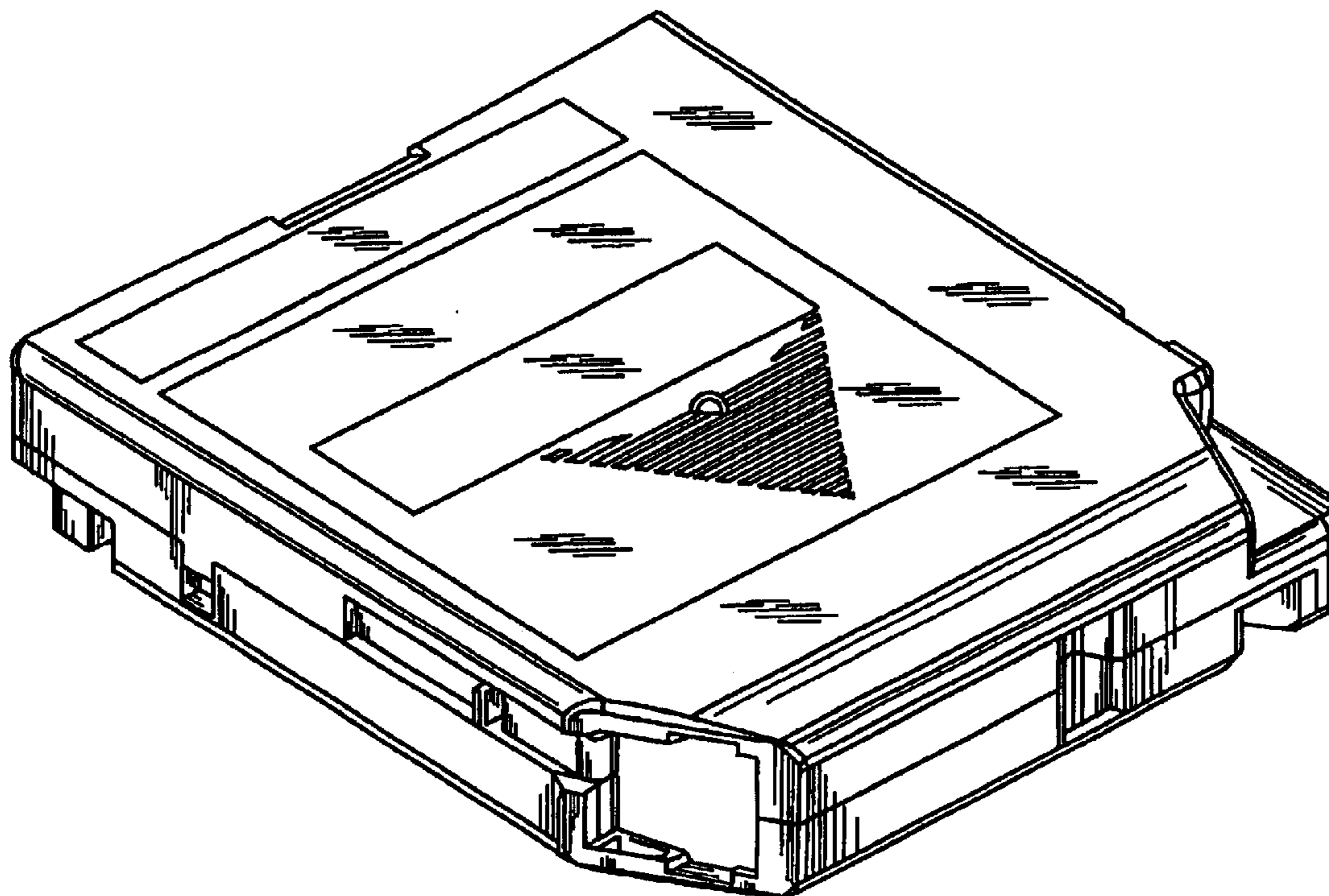


FIG. 1

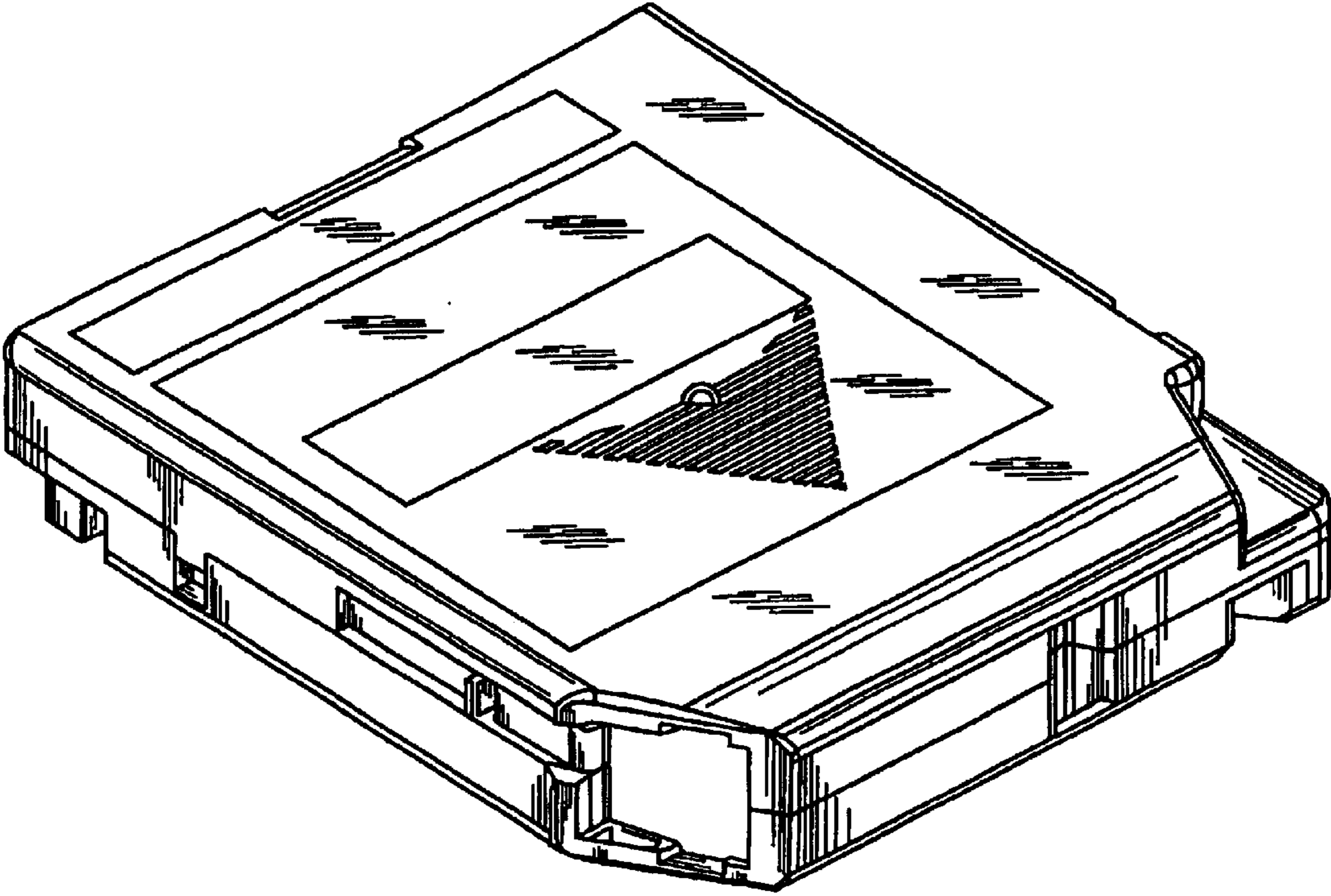


FIG. 2

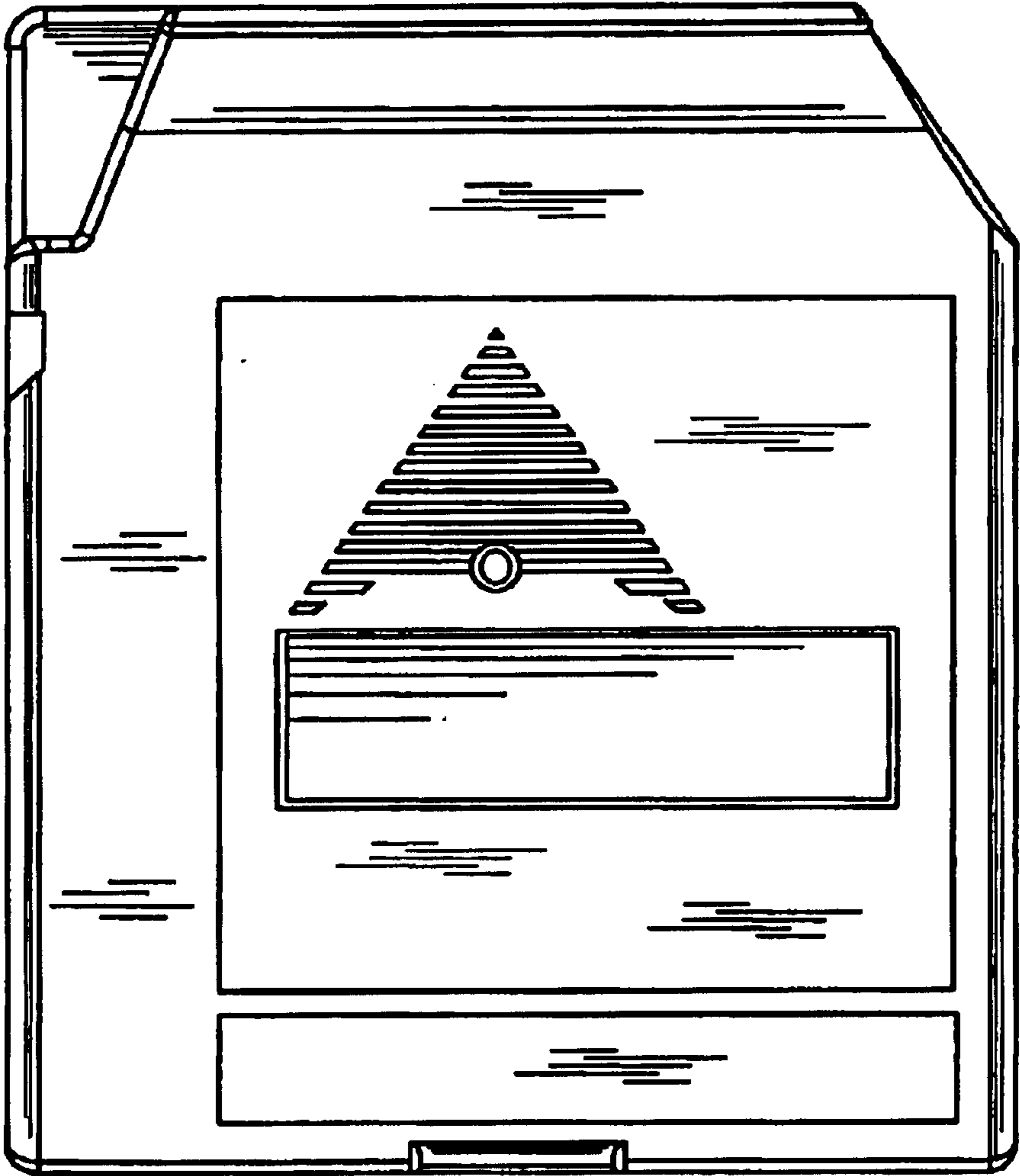


FIG. 3

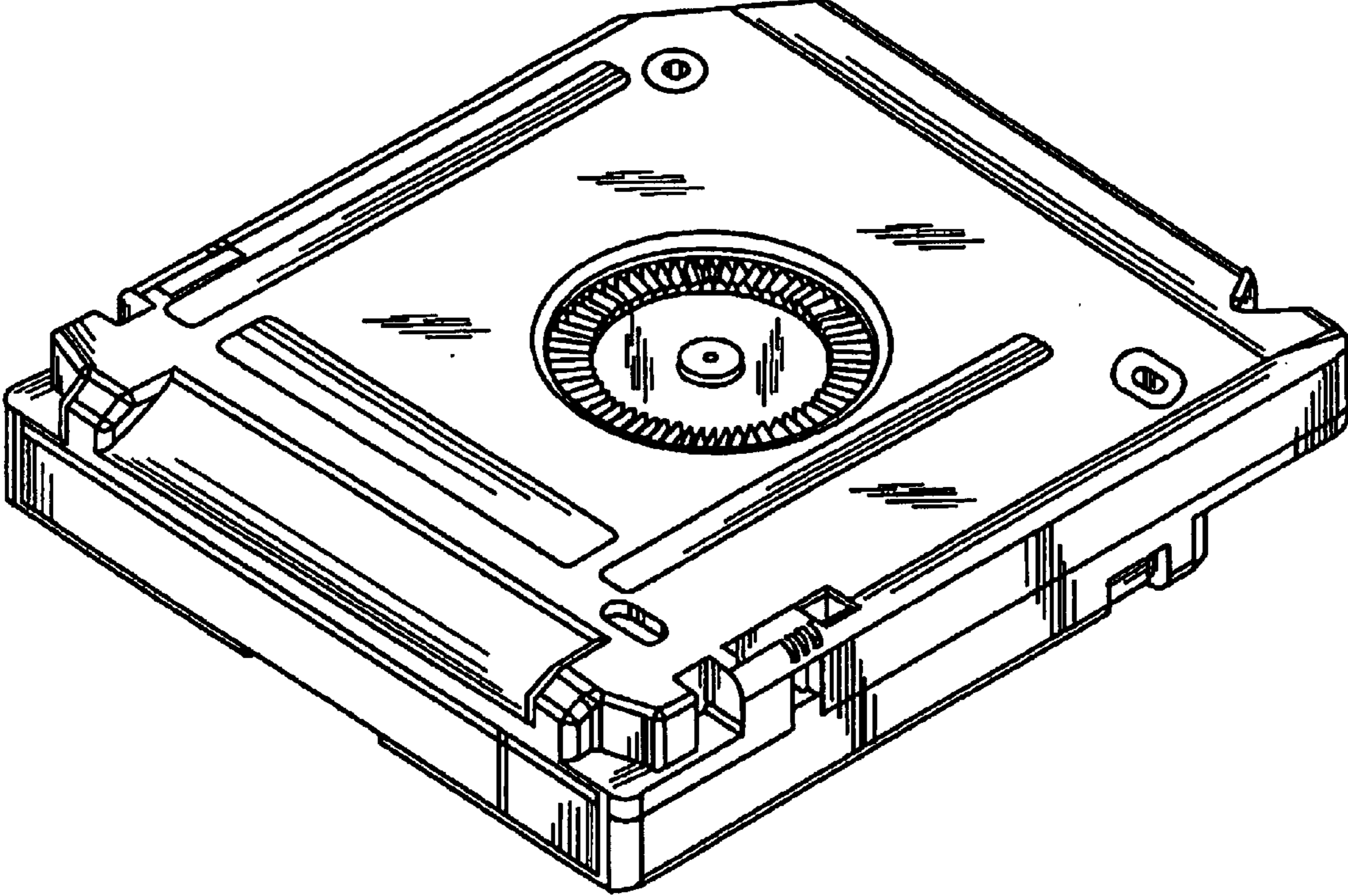


FIG. 4

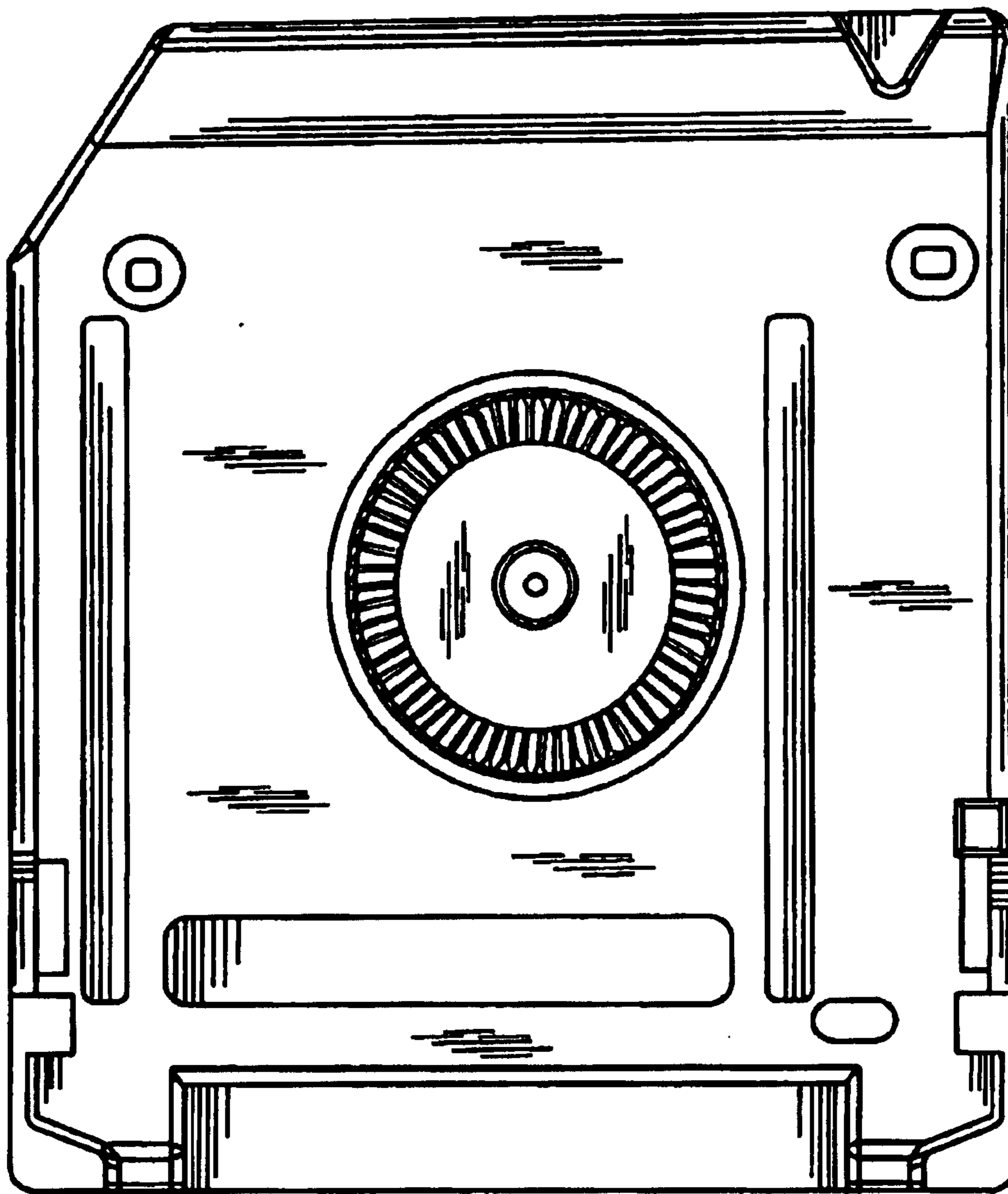


FIG. 5

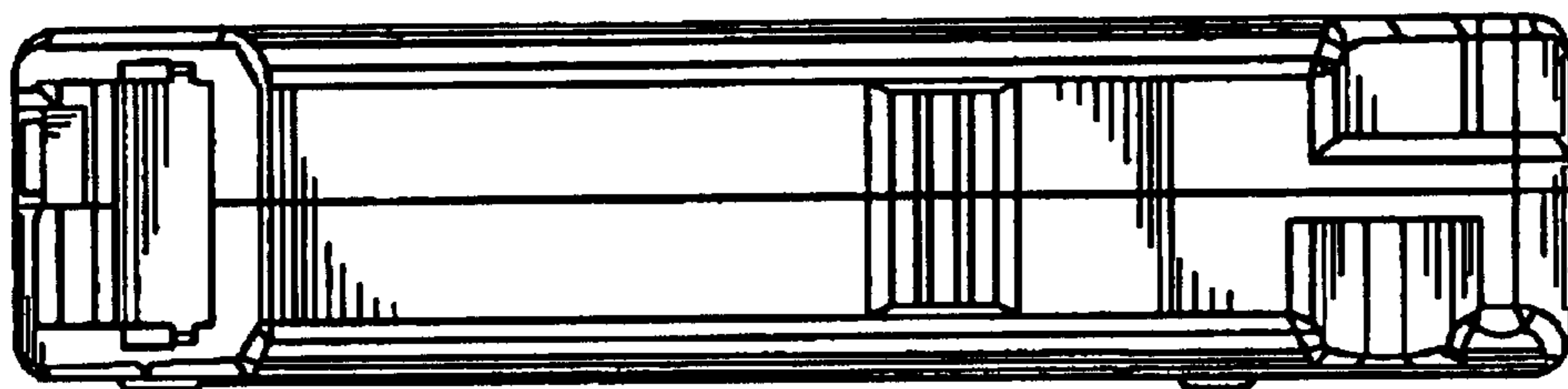


FIG. 6

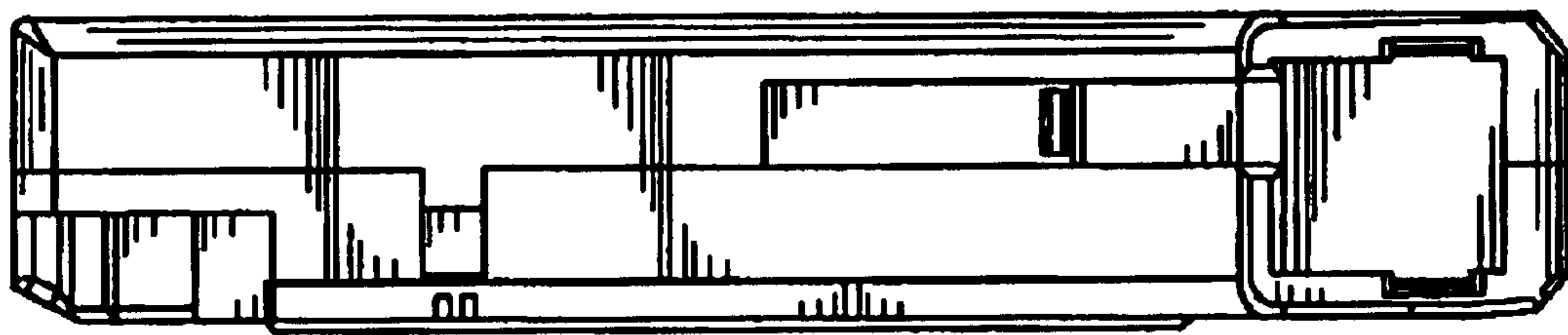


FIG. 7

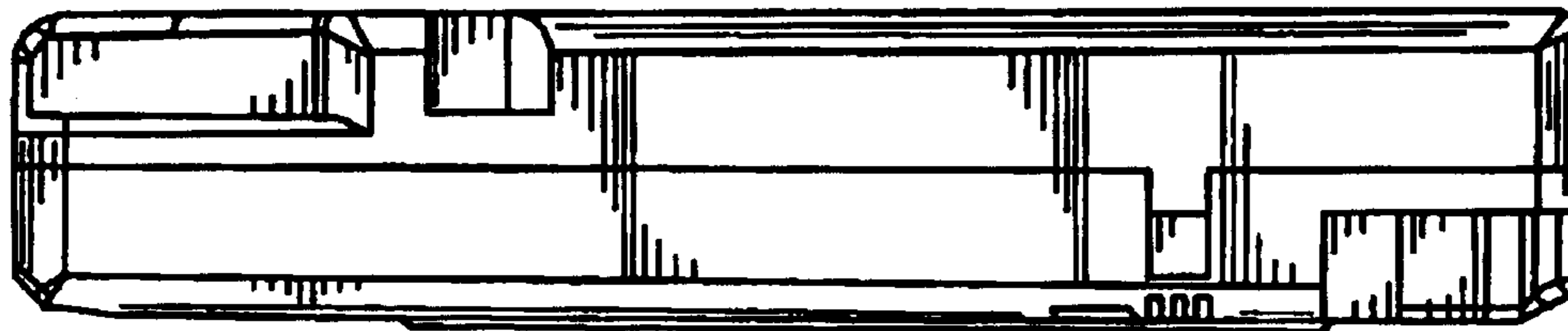


FIG. 8

