

US00D493469S1

(12) **United States Design Patent**  
**Hattori et al.**

(10) **Patent No.:** **US D493,469 S**  
(45) **Date of Patent:** **\*\* Jul. 27, 2004**

(54) **PRINTER WITH COPYING, SCANNING, AND FACSIMILE FUNCTIONS**

(75) Inventors: **Mitsuharu Hattori**, Nagoya (JP);  
**Yasutake Yamaguchi**, Chiryu (JP)

(73) Assignee: **Brother Industries, Limited**, Nagoya (JP)

(\*\*) Term: **14 Years**

(21) Appl. No.: **29/172,029**

(22) Filed: **Dec. 5, 2002**

(30) **Foreign Application Priority Data**

Jun. 10, 2002 (JP) ..... 2002-015547

(51) **LOC (7) Cl.** ..... **16-02**

(52) **U.S. Cl.** ..... **D14/468; D14/469; D18/53**

(58) **Field of Search** ..... D14/462, 464-5, D14/469-470, 468; D18/50, 53-54, 55; 271/228; 101/135, 140-145, 173-185; 358/1.3, 1.6, 400, 401, 501-506; 400/625, 691; 38/102, 102.1; 223/69.71

(56) **References Cited**

**U.S. PATENT DOCUMENTS**

- D305,425 S \* 1/1990 Hara et al. .... D14/469
- D312,079 S \* 11/1990 Komatsu ..... D14/469
- D330,200 S \* 10/1992 Cheung ..... D14/469
- D359,485 S \* 6/1995 Park ..... D18/50
- D385,267 S \* 10/1997 Omino ..... D14/470
- D390,842 S \* 2/1998 Matsushima et al. .... D14/468

- D398,917 S \* 9/1998 Senshiki ..... D14/470
- D410,915 S \* 6/1999 Suzuki ..... D14/468
- D434,776 S \* 12/2000 Takeuchi ..... D14/469
- D471,202 S \* 3/2003 Shimamura ..... D14/469
- 6,529,227 B1 \* 3/2003 Fukumura ..... 347/222

**FOREIGN PATENT DOCUMENTS**

- GB 2082839 \* 7/1999
- GB 2087712 \* 1/2000
- GB 2091610 \* 4/2000

\* cited by examiner

*Primary Examiner*—Charles A. Rademaker

(74) *Attorney, Agent, or Firm*—Oliff & Berridge, PLC

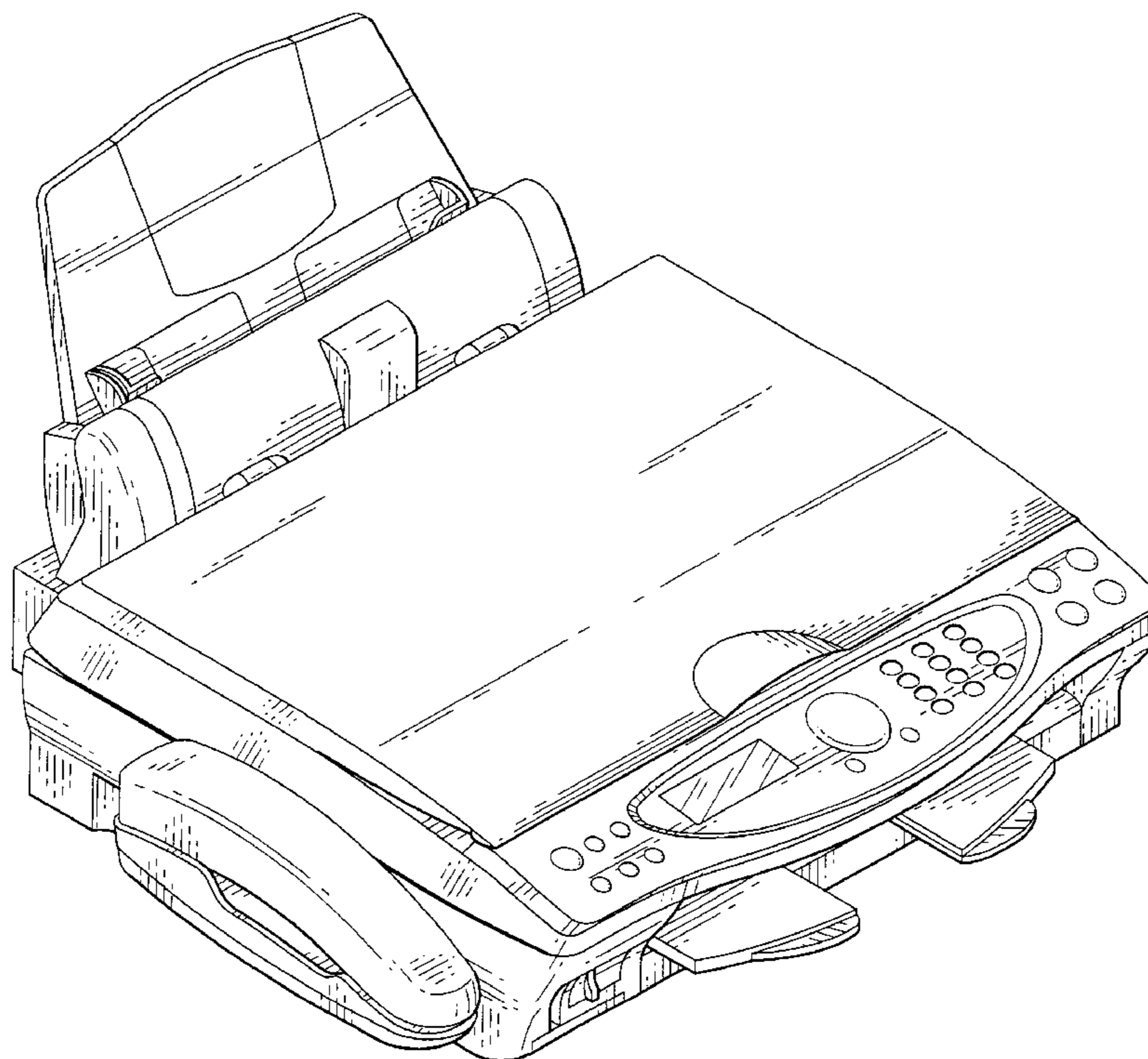
(57) **CLAIM**

The ornamental design for a printer with copying, scanning, and facsimile functions, as shown and described.

**DESCRIPTION**

FIG. 1 is a perspective view of a printer with copying, scanning and facsimile functions;  
 FIG. 2 is a top view thereof;  
 FIG. 3 is a front view thereof; and  
 FIG. 4 is a left-side view thereof;  
 FIG. 5 is a right-side view thereof;  
 FIG. 6 is a bottom view thereof;  
 FIG. 7 is a rear view thereof; and,  
 FIG. 8 is a perspective view thereof with a lid of the printer in an open position and a sheet tray extended.  
 The broken line showing defines the bounds of the claimed design, but does not form part of the claimed design.

**1 Claim, 5 Drawing Sheets**



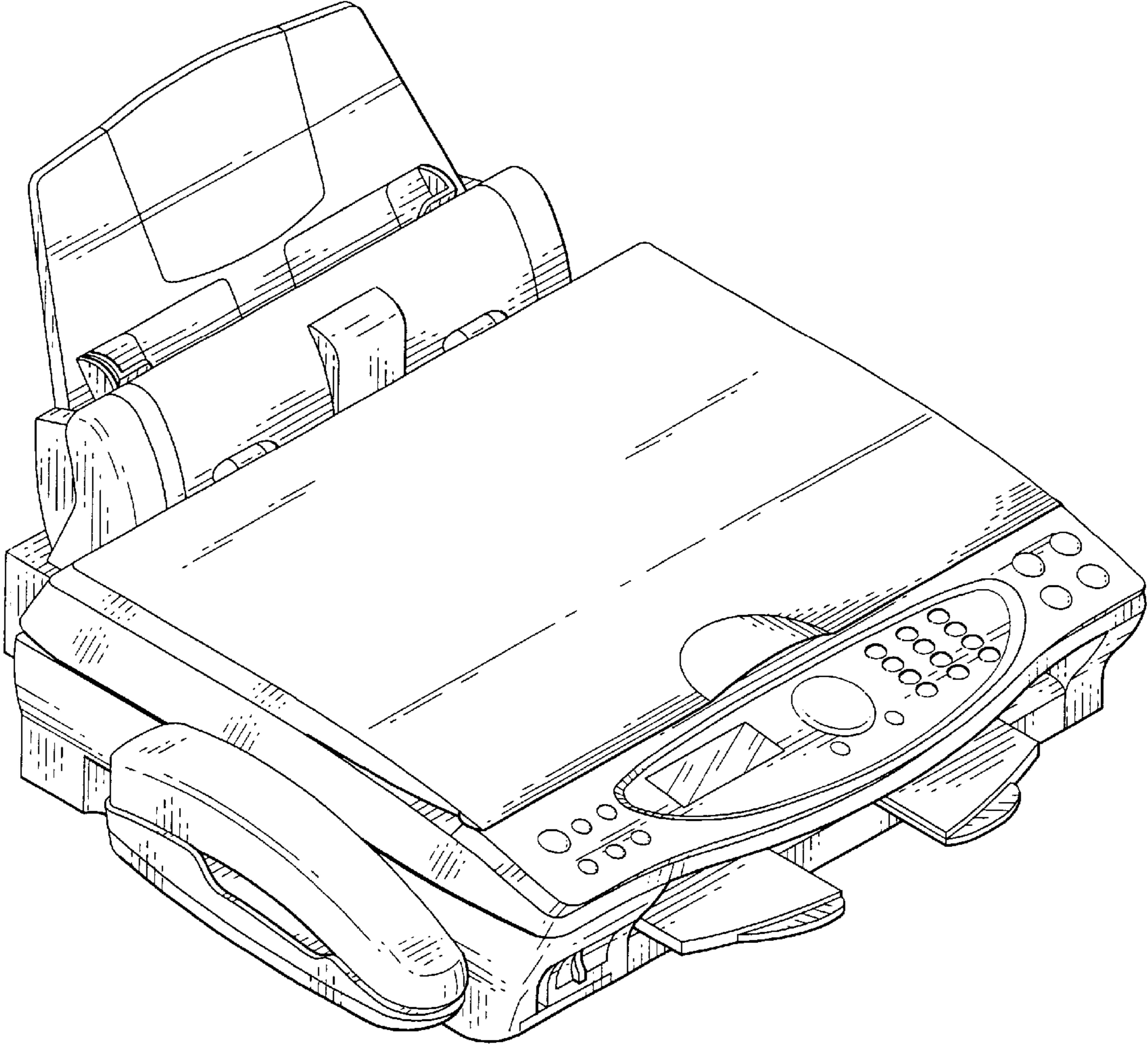


Fig. 1

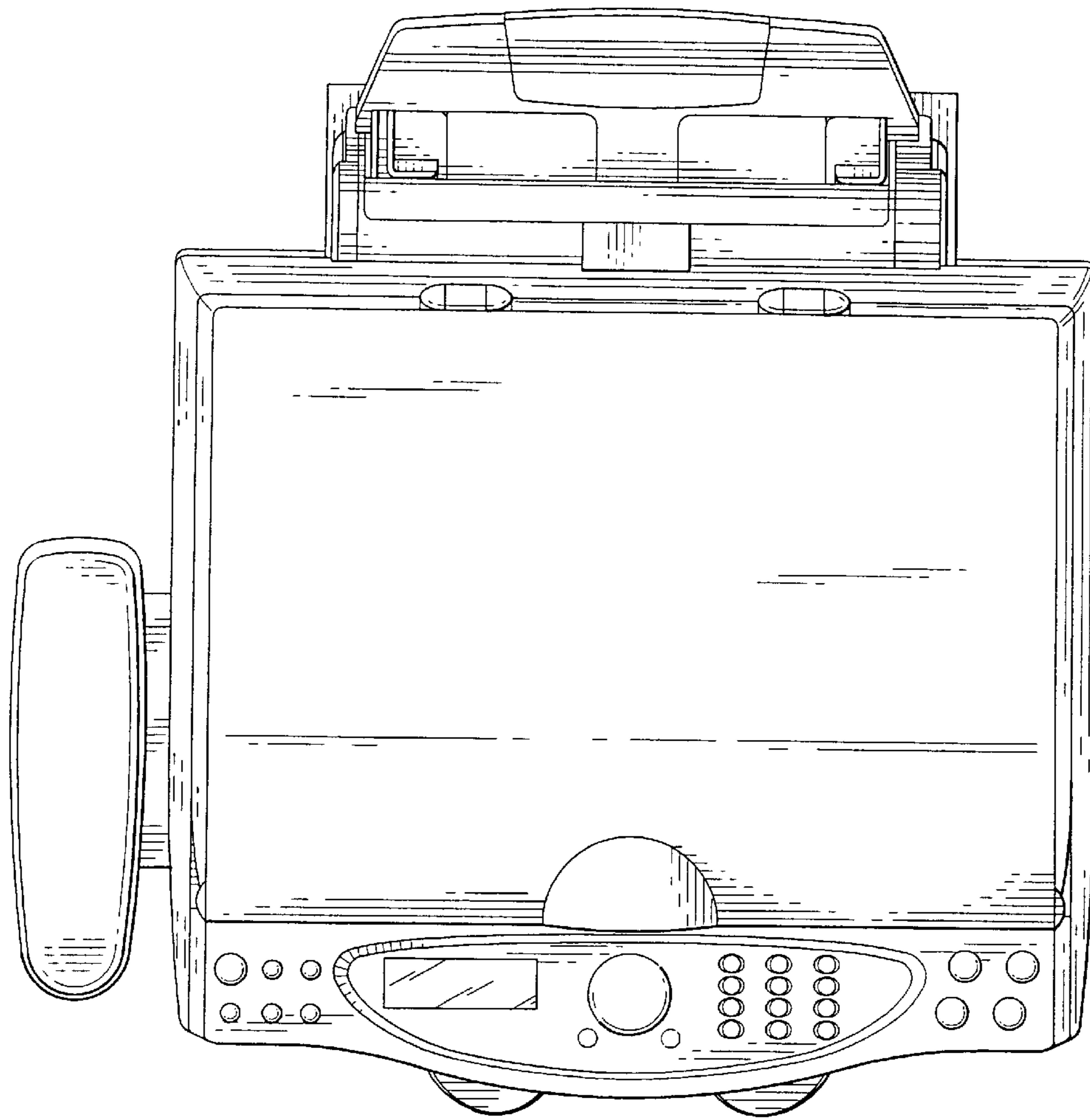


Fig. 2

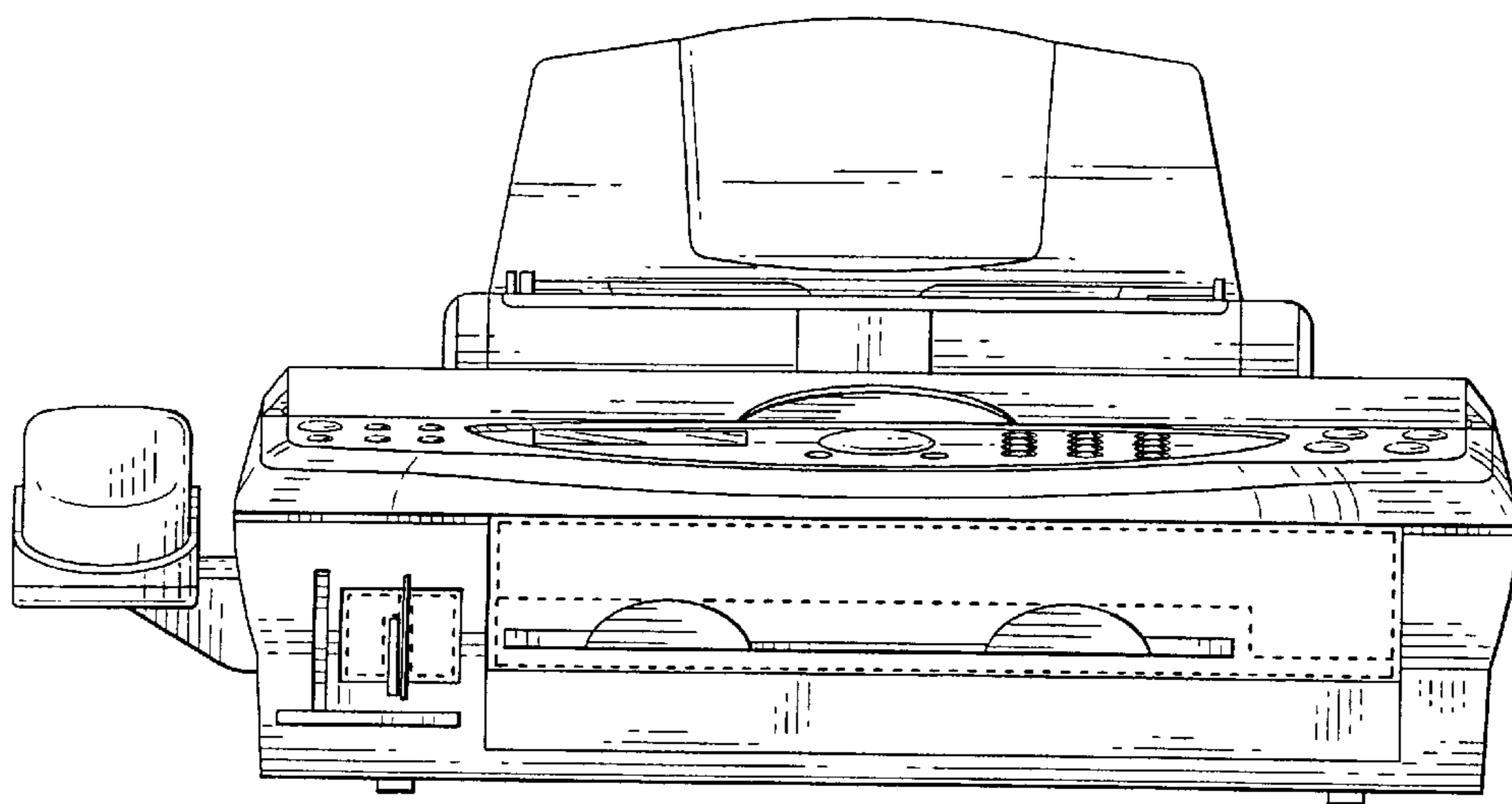


Fig. 3

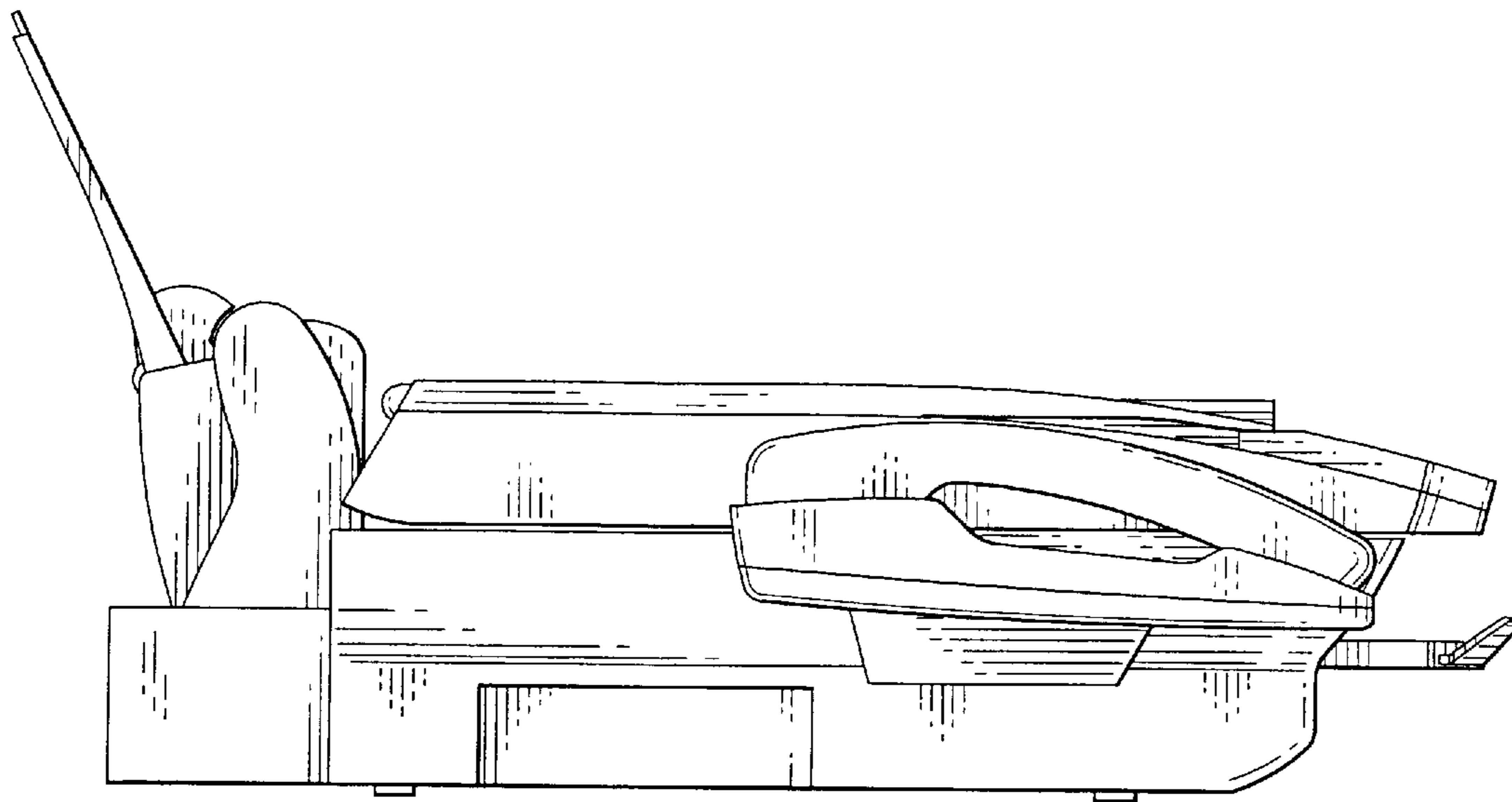


Fig. 4

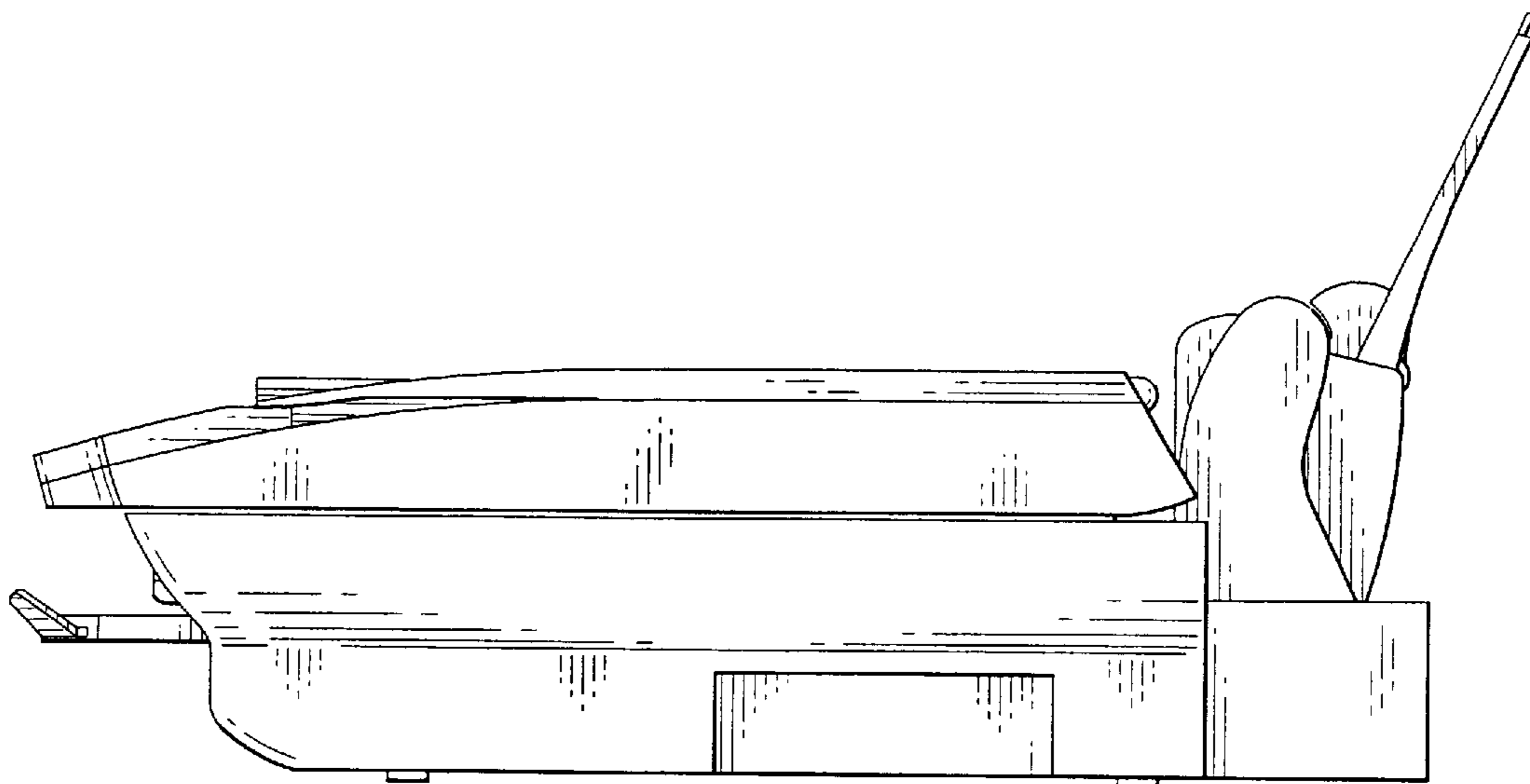


Fig. 5

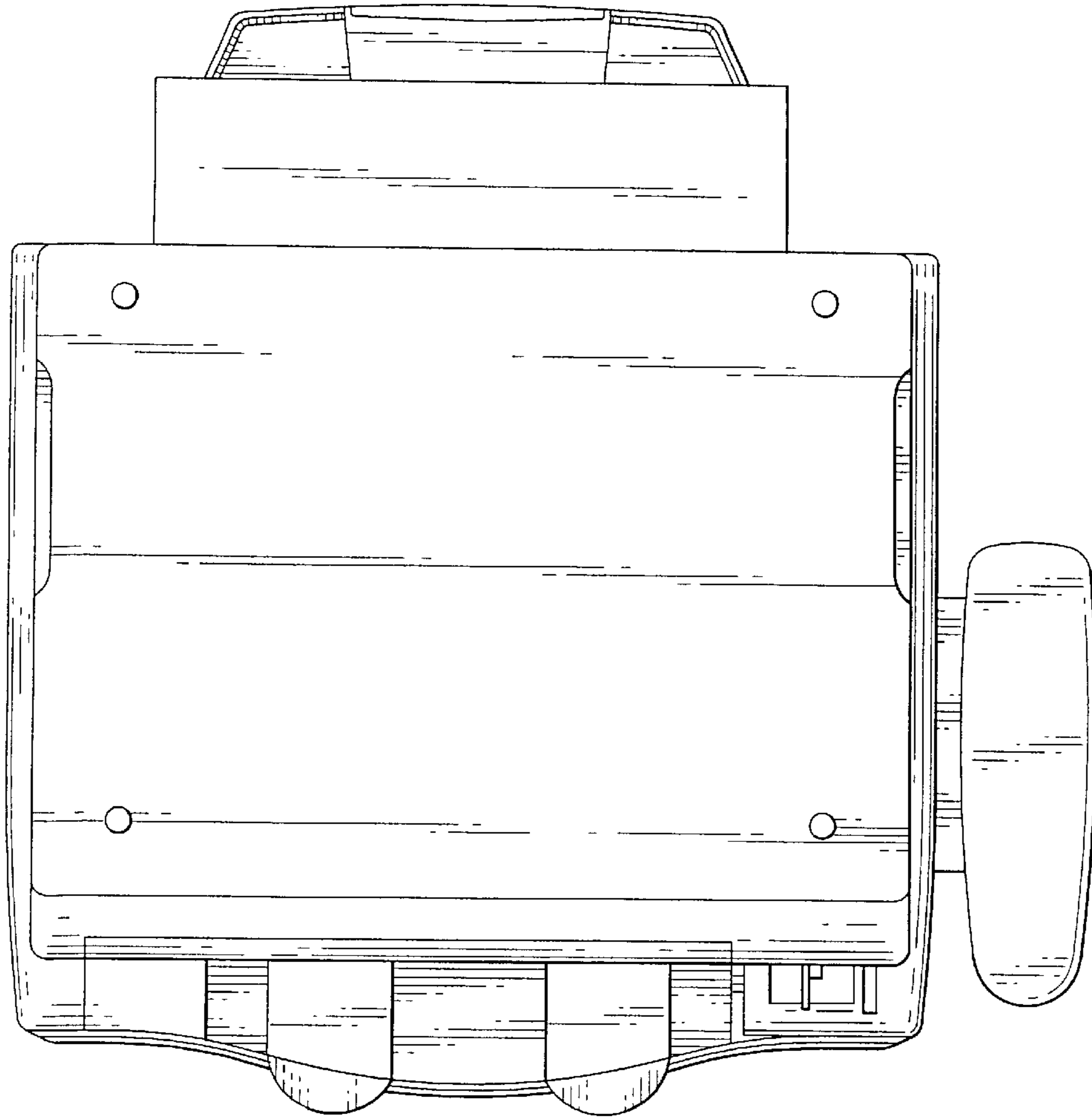


Fig. 6

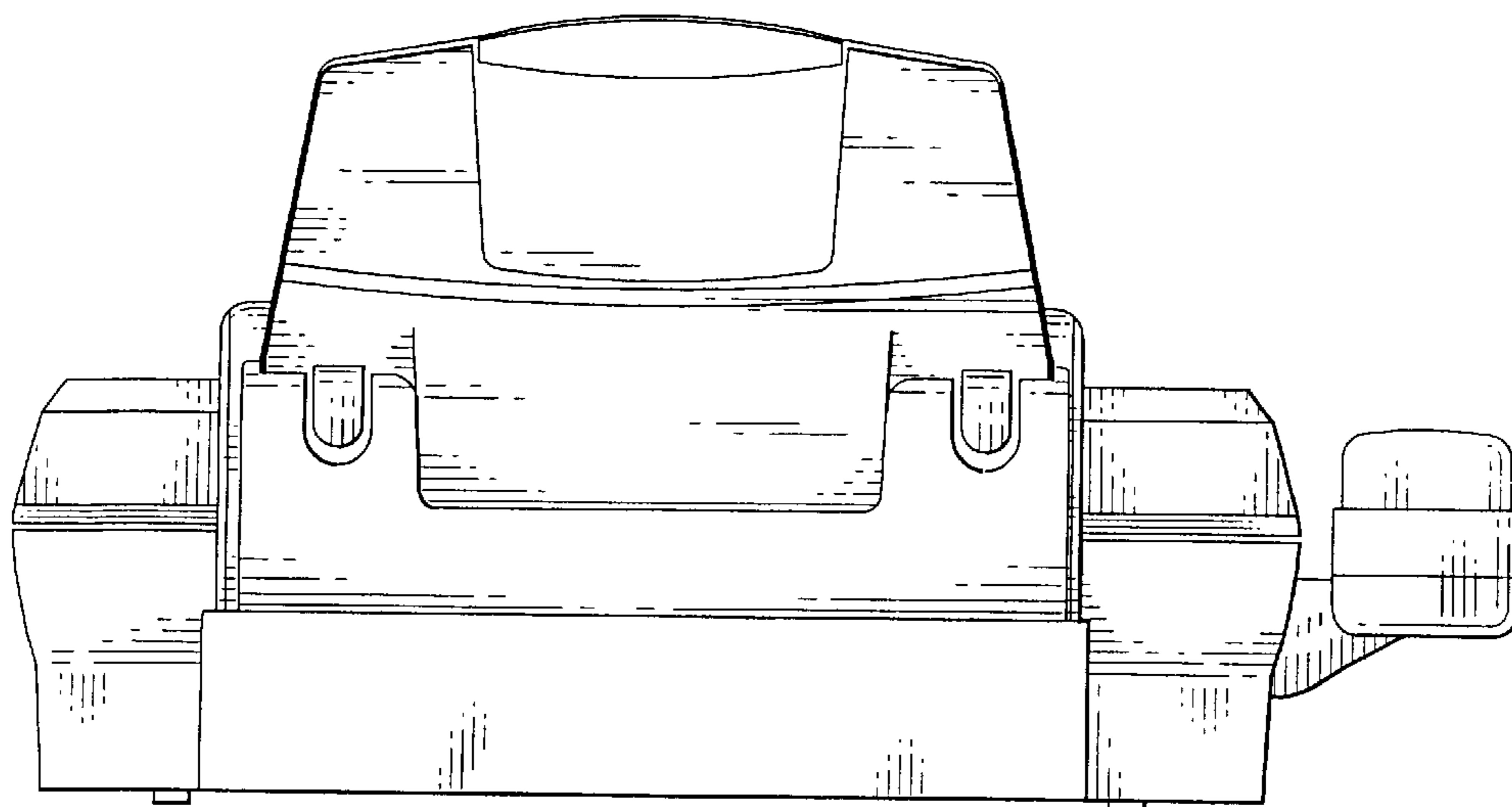


Fig. 7

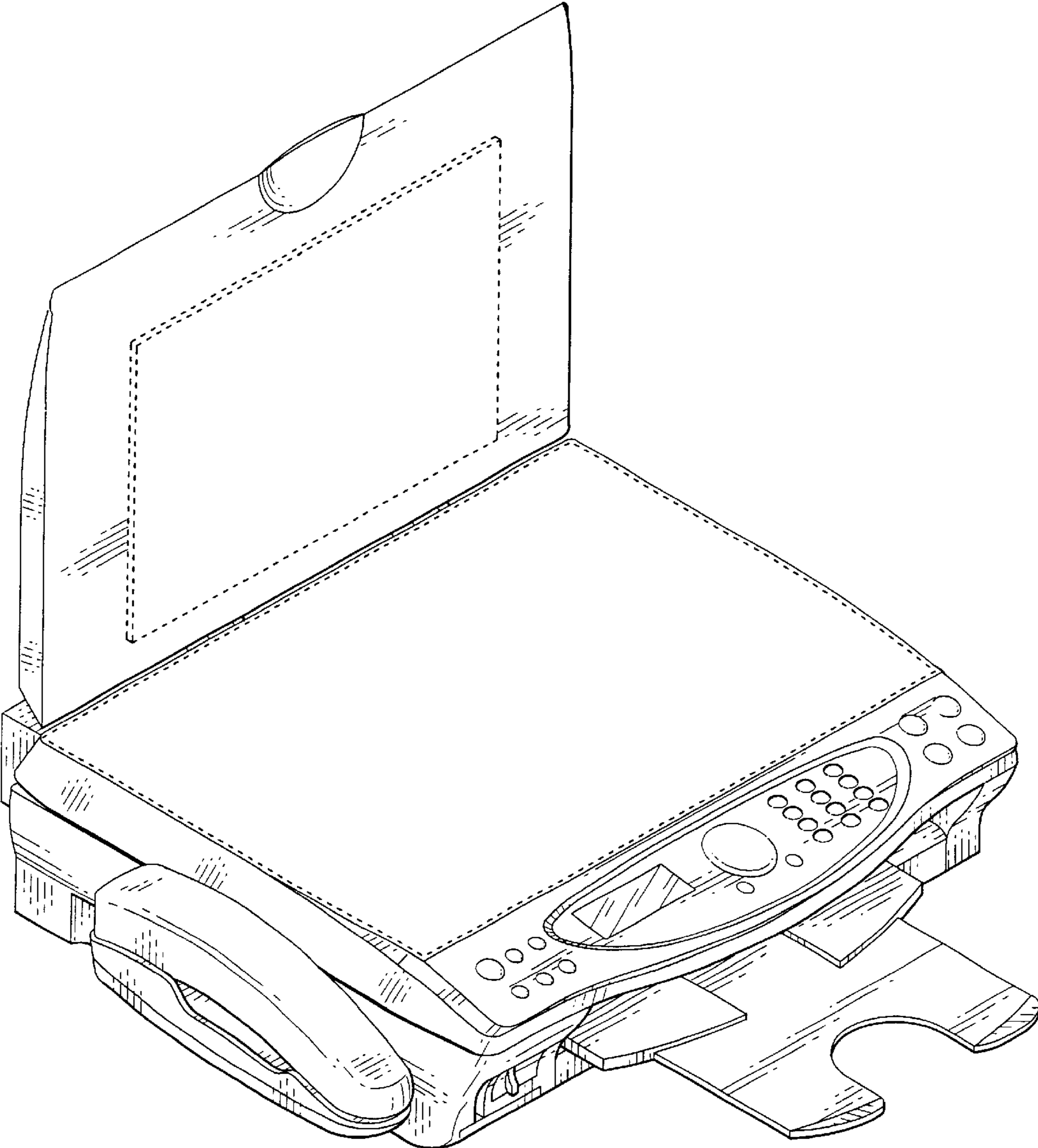


Fig. 8