

US00D493467S1

(12) **United States Design Patent**
DiMattei

(10) **Patent No.:** **US D493,467 S**
(45) **Date of Patent:** **** Jul. 27, 2004**

(54) **HORIZONTALLY MOUNTED COMPUTER**

D409,171 S * 5/1999 Wu D14/439
D447,483 S * 9/2001 Wu D14/441
D448,033 S * 9/2001 Anderson et al. D14/441

(75) Inventor: **John DiMattei**, Fort Lauderdale, FL
(US)

* cited by examiner

(73) Assignee: **Montauk Systems Corporation**, Fort
Lauderdale, FL (US)

Primary Examiner—Freda S. Nunn
(74) *Attorney, Agent, or Firm*—Laurence A. Greenberg;
Werner H. Stemer; Gregory L. Mayback

(**) Term: **14 Years**

(57) **CLAIM**

(21) Appl. No.: **29/186,624**

The ornamental design for a horizontally mounted computer,
as shown and described.

(22) Filed: **Jul. 18, 2003**

(51) **LOC (7) Cl.** **14-02**

DESCRIPTION

(52) **U.S. Cl.** **D14/444**

FIG. 1 is a front elevational view of the horizontally
mounted computer; and,
FIG. 2 is a perspective view from above the horizontally
mounted computer of FIG. 1.

(58) **Field of Search** D14/314, 356,
D14/363, 313, 365-369, 439, 441-446;
D13/162, 184, 199; 312/223.1-223; 360/99.01-99.12;
361/690-696; 369/34.01, 36.01

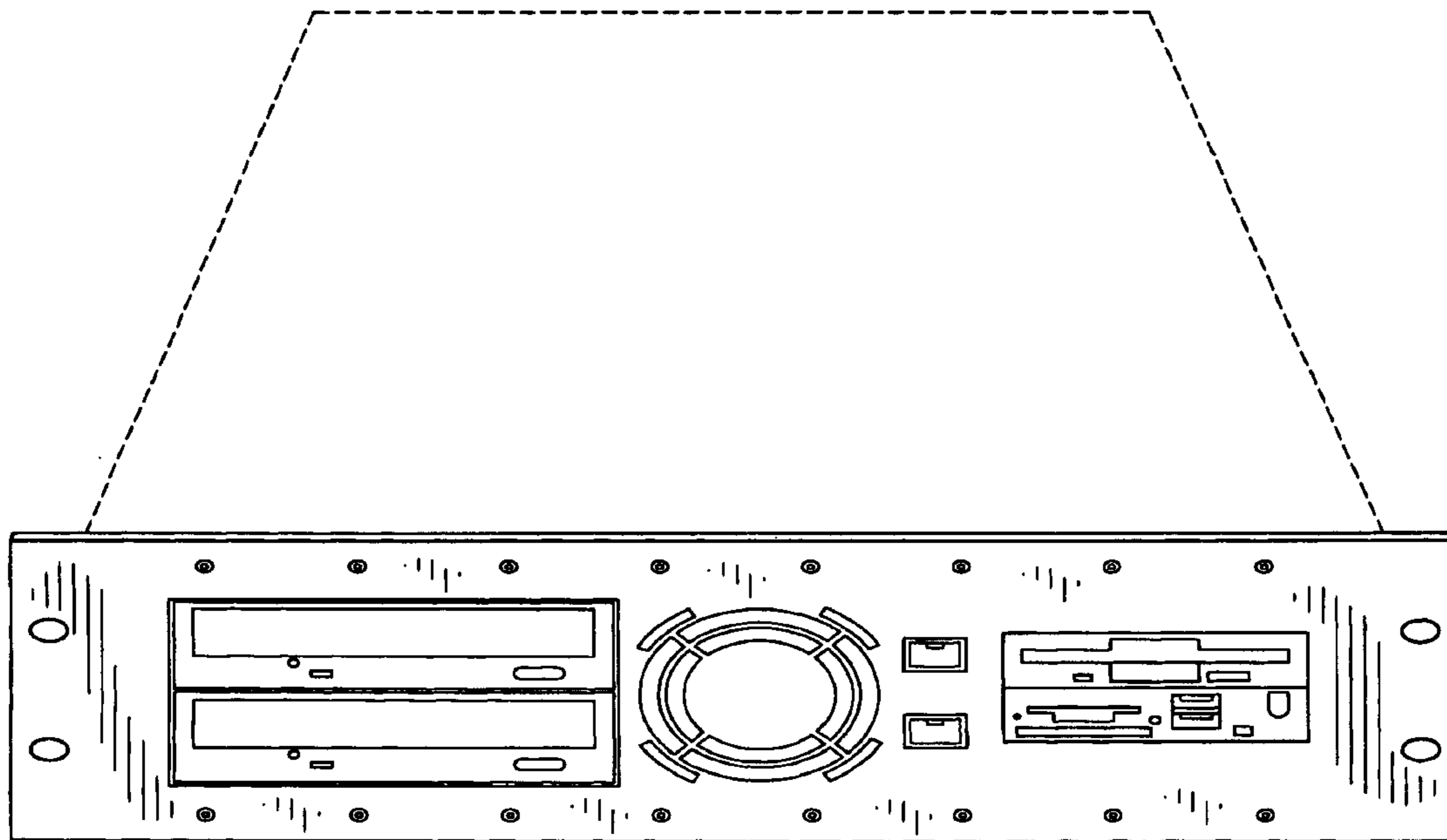
The horizontally mounted computer includes plain and
unornamented rear, sides, top and bottom views that are not
shown and the broken lines are shown in FIG. 2 for
illustrative purposes only and form no part of the claimed
design.

(56) **References Cited**

U.S. PATENT DOCUMENTS

D304,937 S * 12/1989 Sakuta D14/313
D329,641 S * 9/1992 Goff D14/313

1 Claim, 2 Drawing Sheets



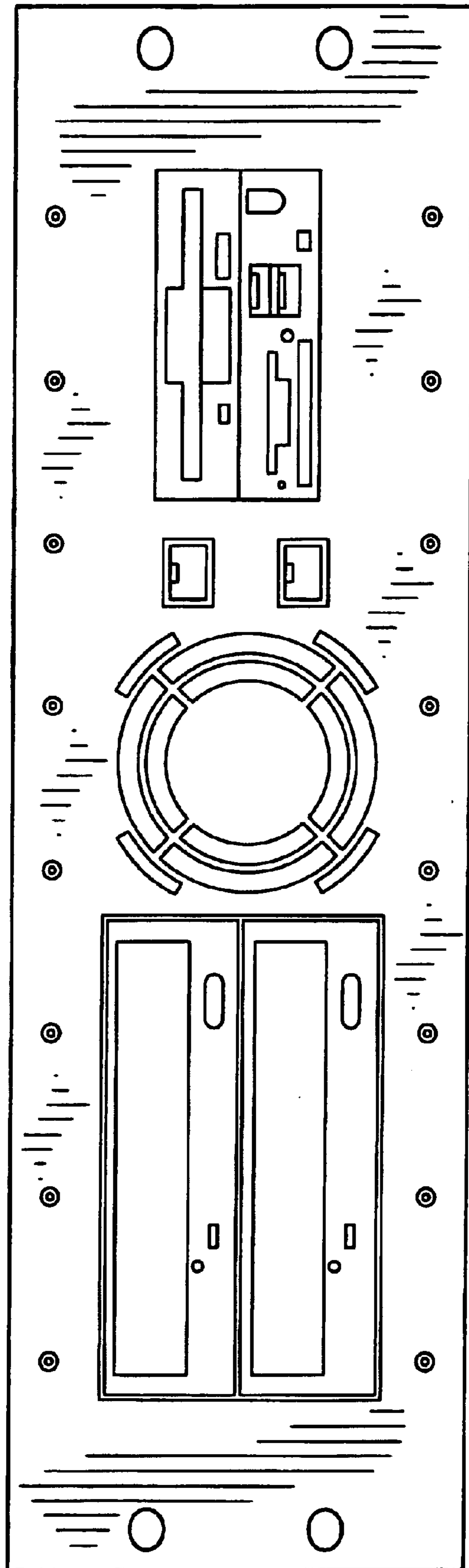


Fig. 1

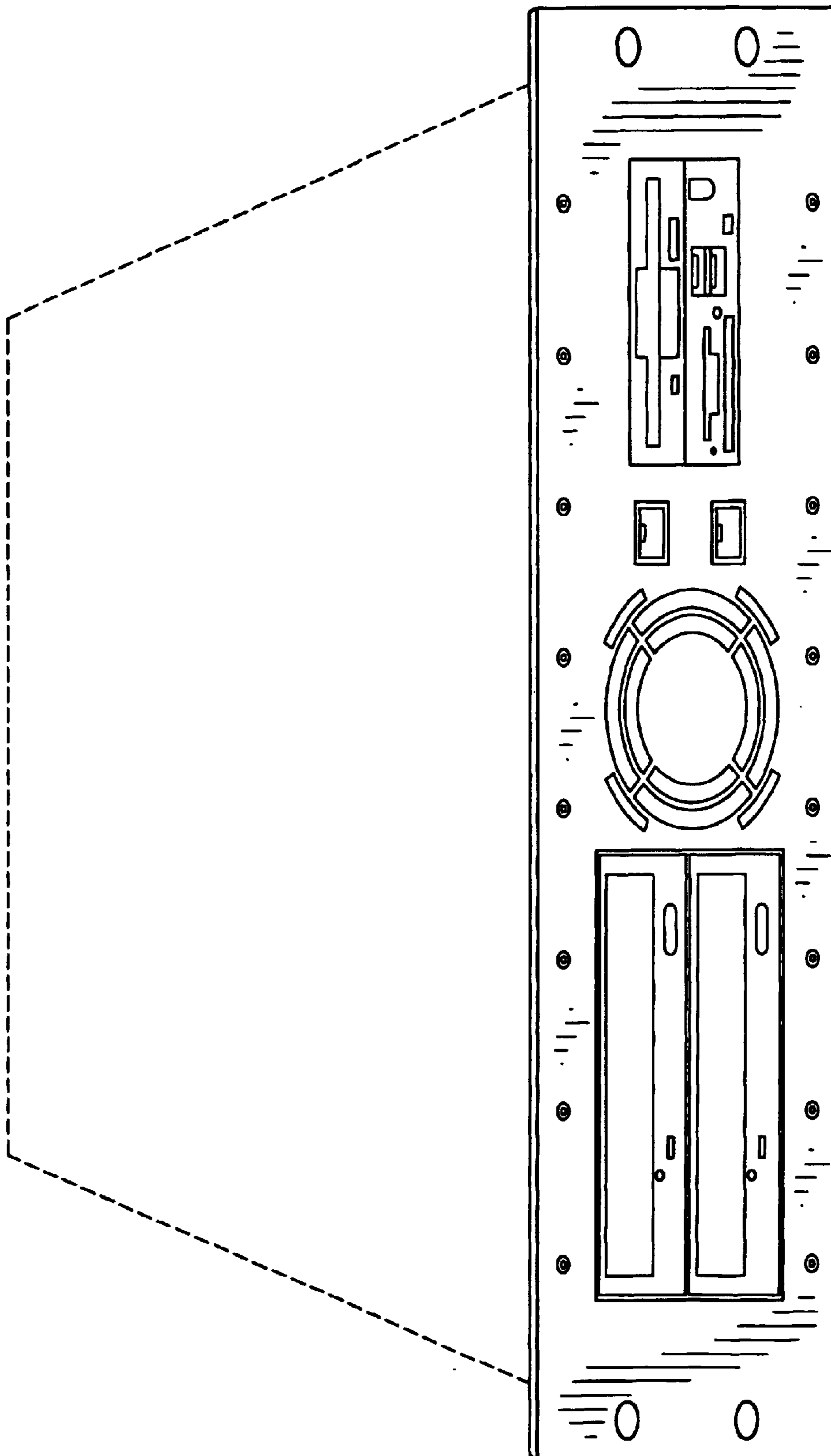


Fig. 2