

US00D493463S1

(12) **United States Design Patent**  
**Takahashi**

(10) **Patent No.:** **US D493,463 S**  
(45) **Date of Patent:** **\*\* Jul. 27, 2004**

- (54) **DISPLAY**
- (75) Inventor: **Hitoshi Takahashi**, Tokyo (JP)
- (73) Assignee: **Sony Corporation**, Tokyo (JP)
- (\*\*) Term: **14 Years**
- (21) Appl. No.: **29/187,147**
- (22) Filed: **Jul. 29, 2003**
- (51) **LOC (7) Cl.** ..... **14-02**
- (52) **U.S. Cl.** ..... **D14/373; D14/345; D14/371**
- (58) **Field of Search** ..... **D14/341-346,**  
**D14/373, 371; D19/26, 52, 59, 60; 345/104,**  
**156, 168, 173; 178/18.03; 349/12; 434/307 R,**  
**308, 309, 317**

(56) **References Cited**

**U.S. PATENT DOCUMENTS**

|            |   |         |                  |       |         |
|------------|---|---------|------------------|-------|---------|
| D366,280 S | * | 1/1996  | Henderson        | ..... | D19/52  |
| D378,686 S | * | 4/1997  | Proctor et al.   | ..... | D19/60  |
| D385,299 S | * | 10/1997 | Adams            | ..... | D14/342 |
| D391,987 S | * | 3/1998  | Jambhekar et al. | ..... | D14/345 |
| D442,953 S | * | 5/2001  | Lassen           | ..... | D14/345 |
| D445,787 S | * | 7/2001  | Francis          | ..... | D14/345 |
| D464,961 S |   | 10/2002 | Sogabe           |       |         |
| D466,897 S | * | 12/2002 | Hata             | ..... | D14/371 |

**FOREIGN PATENT DOCUMENTS**

JP D1159281 S 11/2002

JP D1168841 S 3/2003

**OTHER PUBLICATIONS**

Web page "CLIE, PEG-NR70V" <http://www.sony.jp/products/Consumer/PEG/PEG-NR70V/>, 1 sheet, Sony (May 2003).

Web page "CLIE, PEG-TG50" <http://www.sony.jp/products/Consumer/PEG/PEG-TG50/>, 1 sheet, Sony (May 2003).

Web page "IC-550" <http://www.sony.jp/products/Consumer/DC/IC550/>, 1 sheet, Sony (May 2003).

\* cited by examiner

*Primary Examiner*—Freda S. Nunn

(74) *Attorney, Agent, or Firm*—Rader, Fishman & Grauer PLLC

(57) **CLAIM**

The ornamental design for a display, as shown.

**DESCRIPTION**

FIG. 1 is a perspective view of a display showing my new design;

FIG. 2 is a front elevational view thereof;

FIG. 3 is a rear elevational view thereof;

FIG. 4 is a left side elevational view thereof;

FIG. 5 is a right side elevational view thereof;

FIG. 6 is a top plan view thereof; and,

FIG. 7 is a bottom plan view thereof.

**1 Claim, 4 Drawing Sheets**

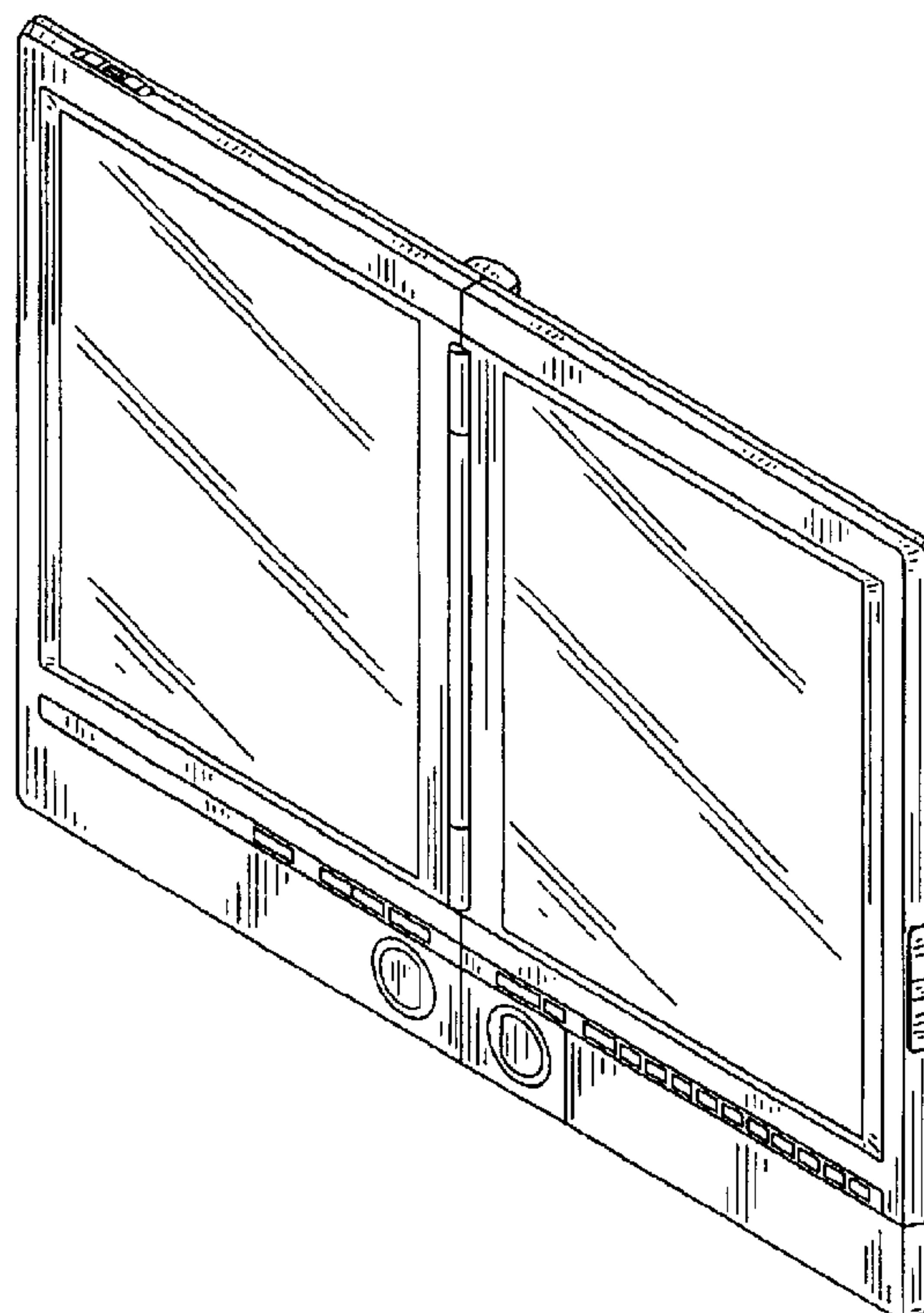


Fig. 1

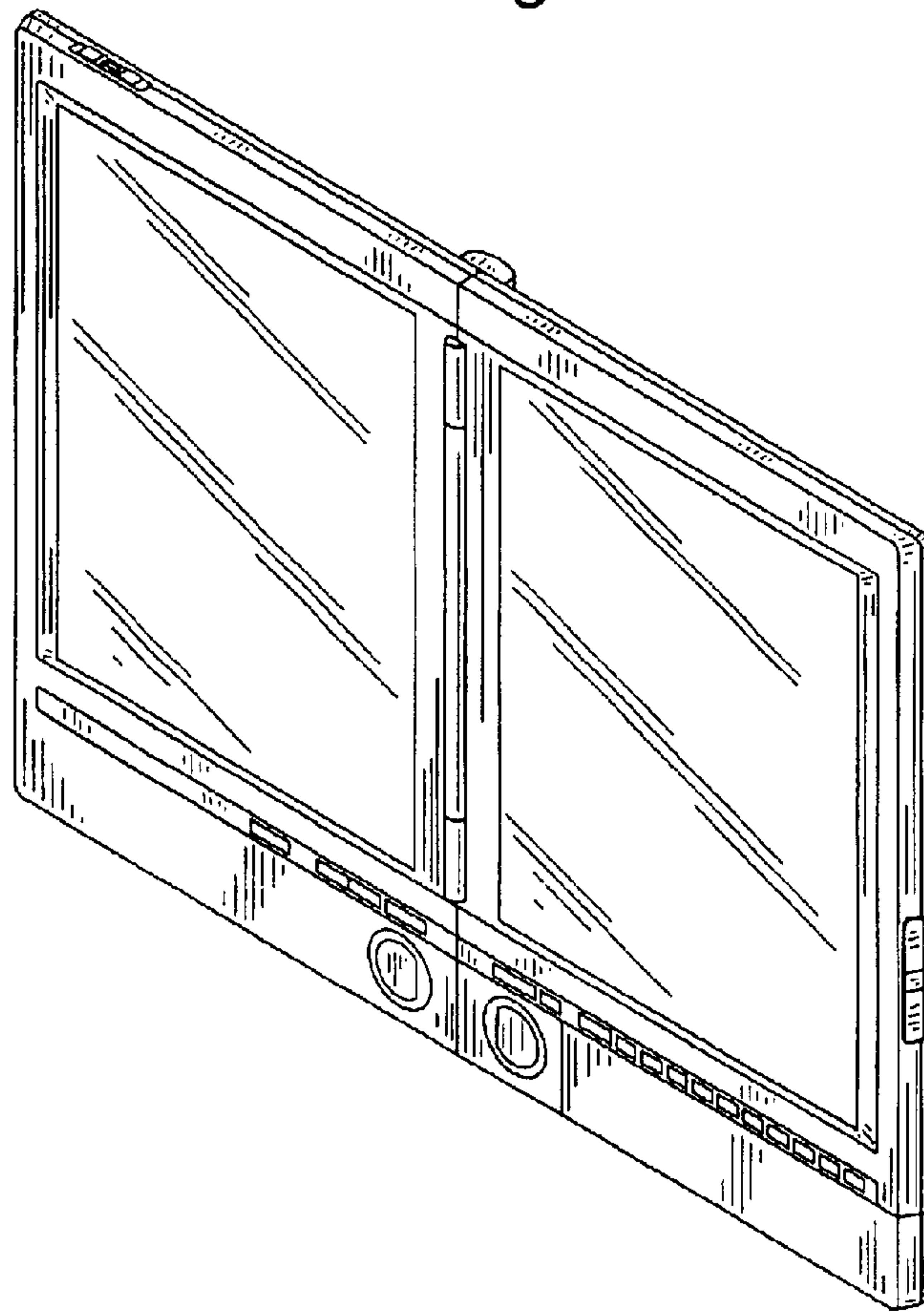


Fig.2

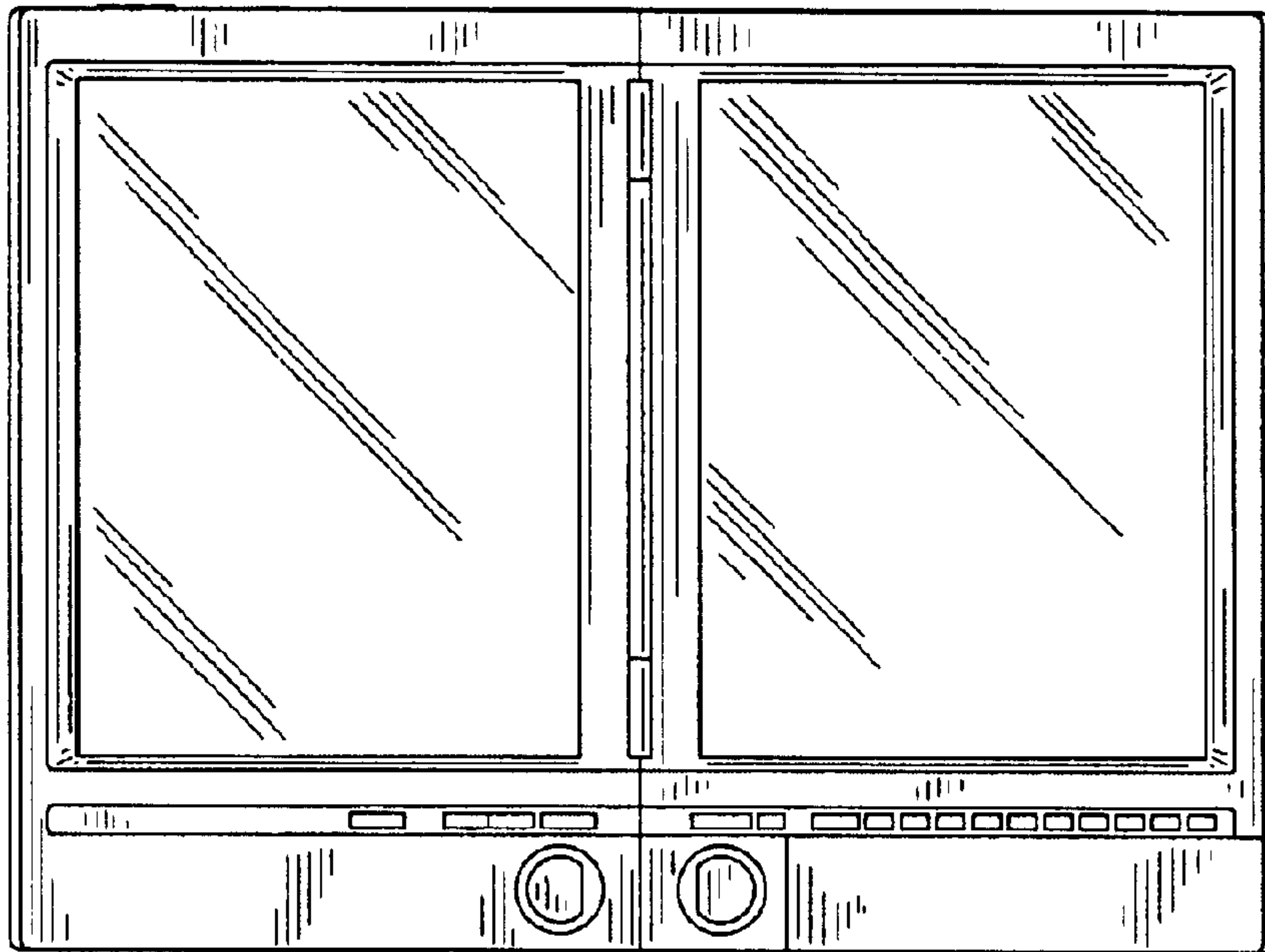


Fig.3

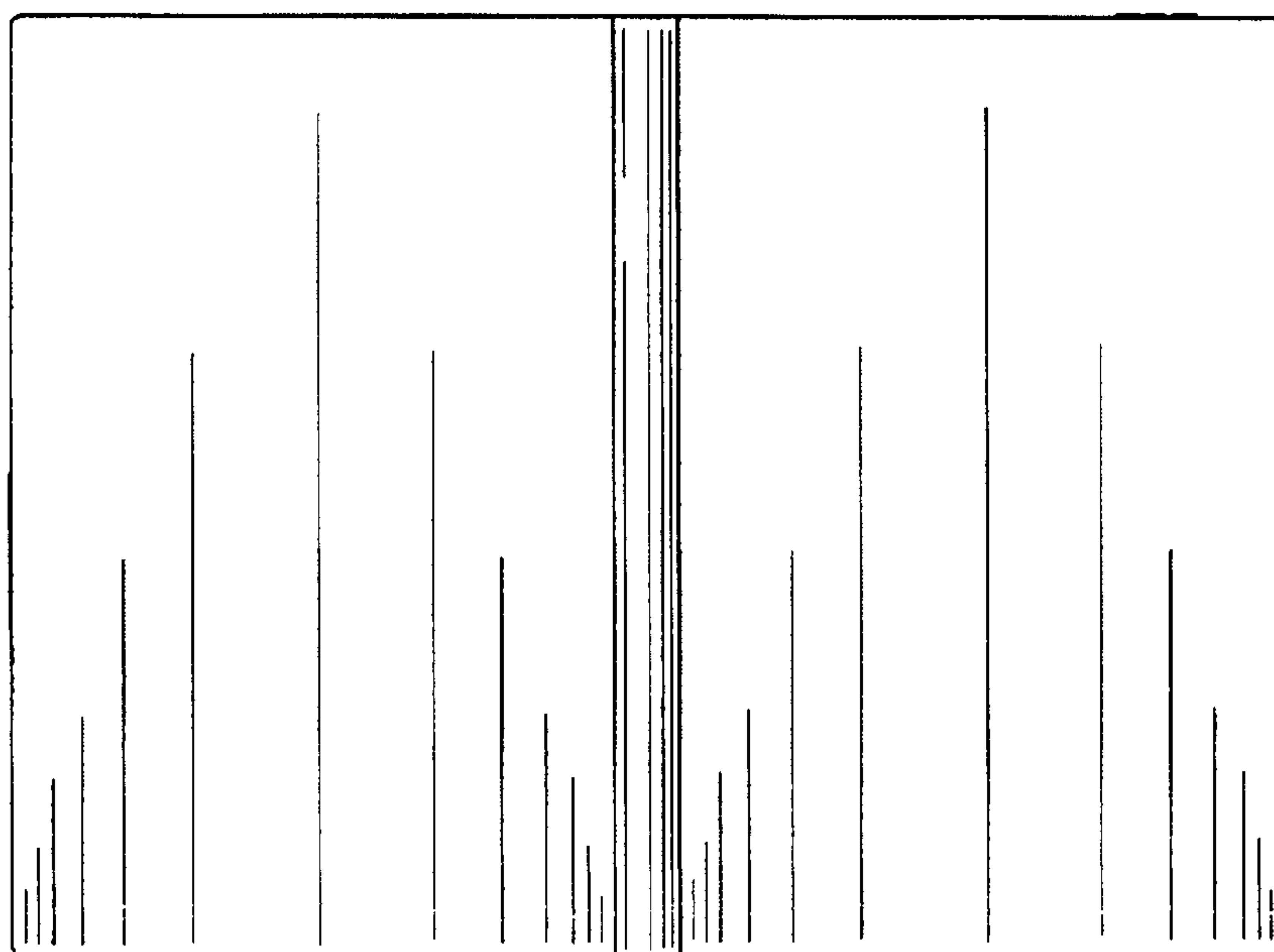


Fig.4



Fig.5



Fig.6



Fig.7

